



US00D529786S

(12) **United States Design Patent**  
**Heppner**

(10) **Patent No.:** **US D529,786 S**

(45) **Date of Patent:** **\*\* Oct. 10, 2006**

(54) **LOCK SHACKLE**

(75) Inventor: **John Heppner**, Kenosha, WI (US)

(73) Assignee: **Master Lock Company**, Oak Creek, WI (US)

(\*\*) Term: **14 Years**

(21) Appl. No.: **29/244,683**

(22) Filed: **Dec. 13, 2005**

1,016,455 A *	2/1912	Stone .....	70/38 B
1,629,388 A *	5/1927	Jackson .....	70/50
1,777,424 A *	10/1930	Atkins .....	70/26
5,372,019 A *	12/1994	Hsiao .....	70/38 A
D360,125 S	7/1995	Taylor	
5,727,405 A *	3/1998	Cromwell .....	70/38 B
D433,310 S	11/2000	Luquire	
D433,311 S	11/2000	Luquire	
D454,486 S	3/2002	Streibel	
6,530,248 B1 *	3/2003	Parker .....	70/14
D489,244 S *	5/2004	Vito .....	D8/343
D491,044 S *	6/2004	Vito .....	D8/343

\* cited by examiner

**Related U.S. Application Data**

(63) Continuation of application No. 29/177,321, filed on Mar. 7, 2003.

(51) **LOC (8) Cl.** ..... **08-07**

(52) **U.S. Cl.** ..... **D8/343**; D8/334

(58) **Field of Classification Search** ..... D8/330,  
D8/331, 333, 334, 343, 499; 70/14, 18, 24,  
70/20, 25, 26, 32, 34, 35, 38 A, 38 B, 38 C,  
70/53

See application file for complete search history.

*Primary Examiner*—Prabhakar Deshmukh

(74) *Attorney, Agent, or Firm*—Calfee, Halter, & Griswold LLP

(57) **CLAIM**

The ornamental design for a lock shackle, as shown and described.

**DESCRIPTION**

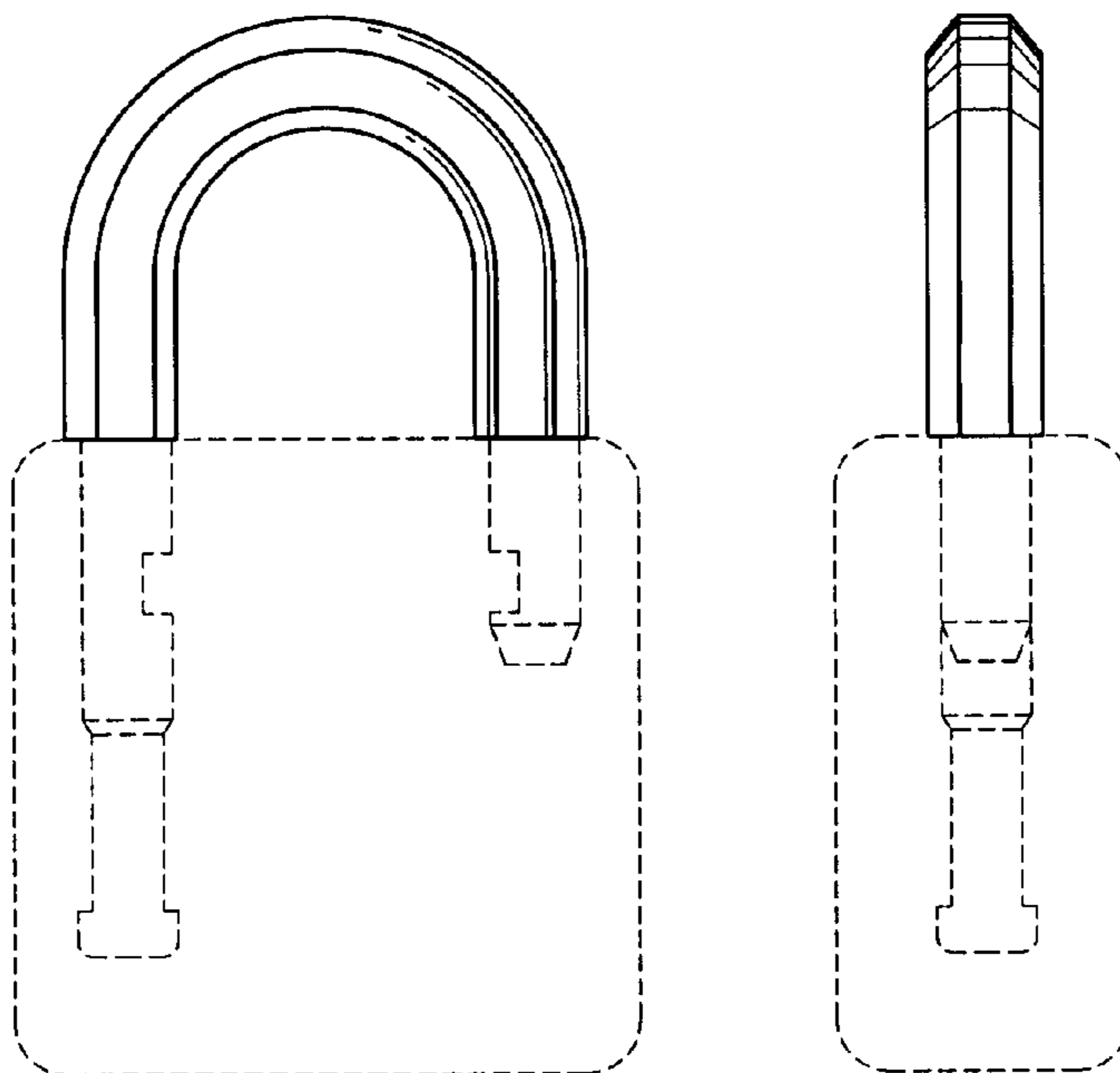
FIG. 1 is a top view of a lock shackle with seven flat sides; FIG. 2 is a side view of the lock shackle shown in FIG. 1, wherein each side is a mirror image of the other; FIG. 3 is a front view of the lock shackle of FIG. 1, wherein the front view and the back view are mirror images of each other; and, FIG. 4 is a bottom view of the lock shackle of FIG. 1. The portions of the Figures shown in phantom lines are not part of the claimed design but are for illustration only.

(56) **References Cited**

U.S. PATENT DOCUMENTS

526,740 A *	10/1894	Rapaport .....	70/25
568,701 A *	9/1896	Roberts .....	70/37
D32,638 S	5/1900	Voight	
661,560 A *	11/1900	Stall .....	70/26
666,231 A *	1/1901	Lawson .....	70/20
767,004 A *	8/1904	Muchowicz .....	70/39

**1 Claim, 1 Drawing Sheet**



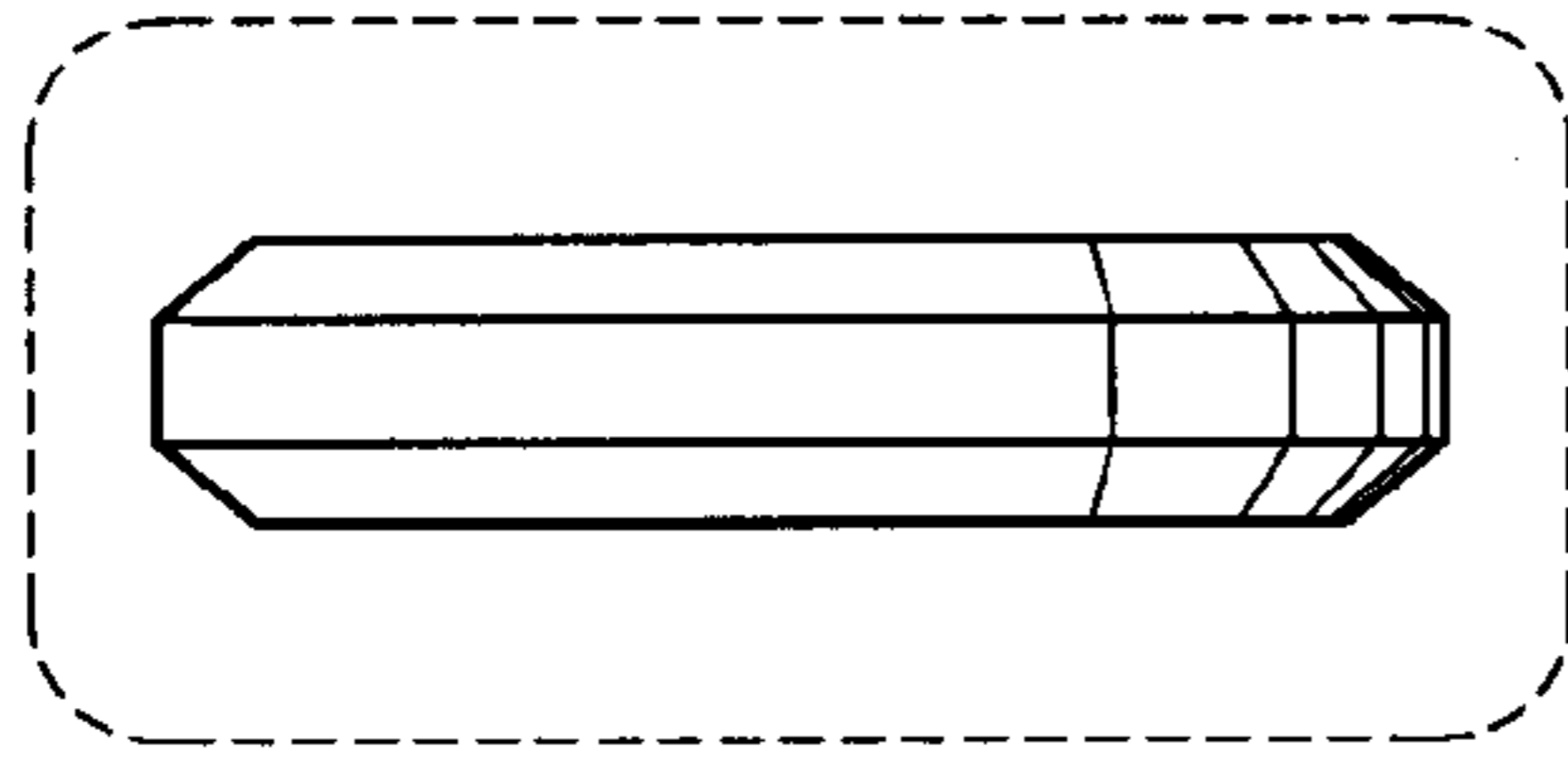


FIG. 1

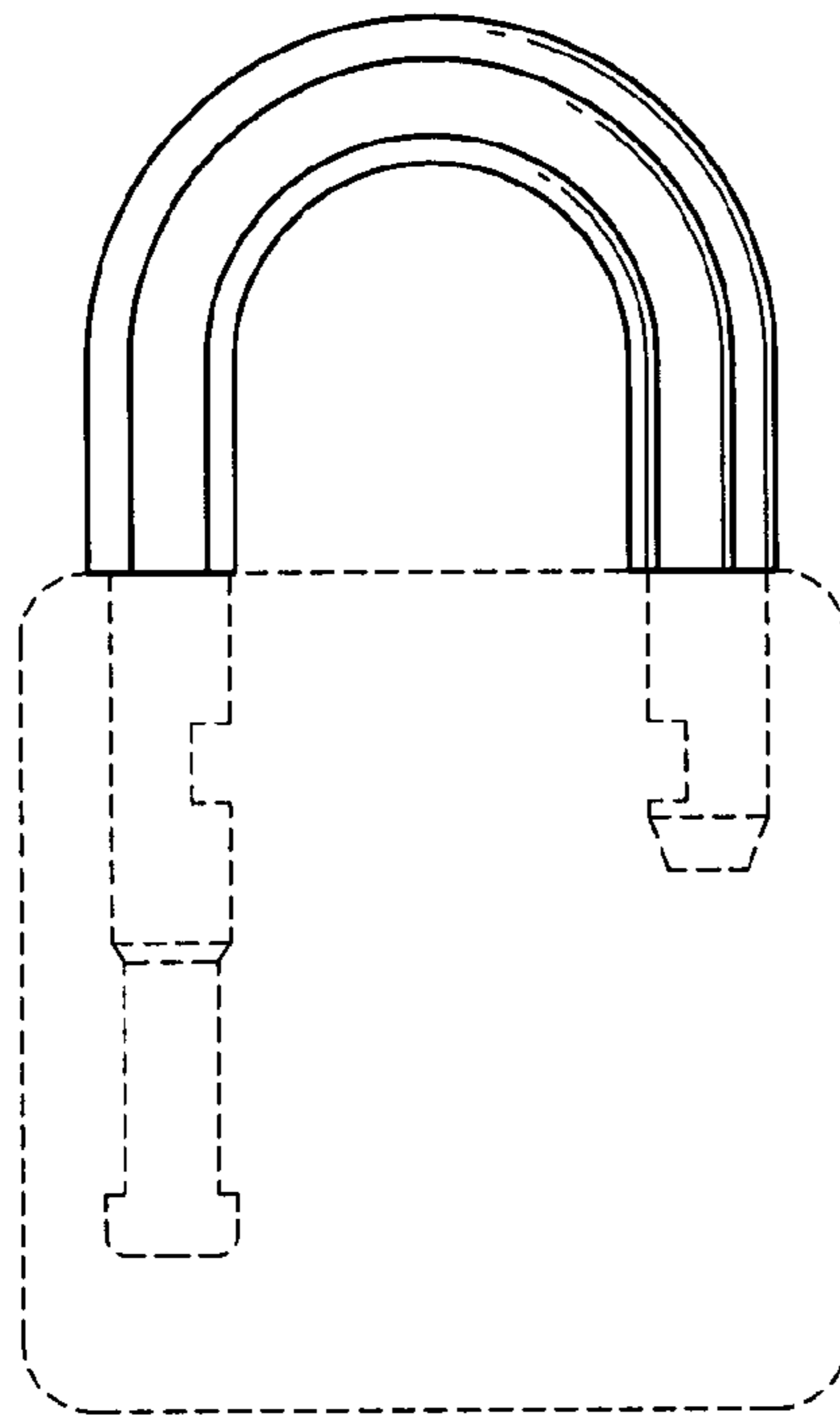


FIG. 2

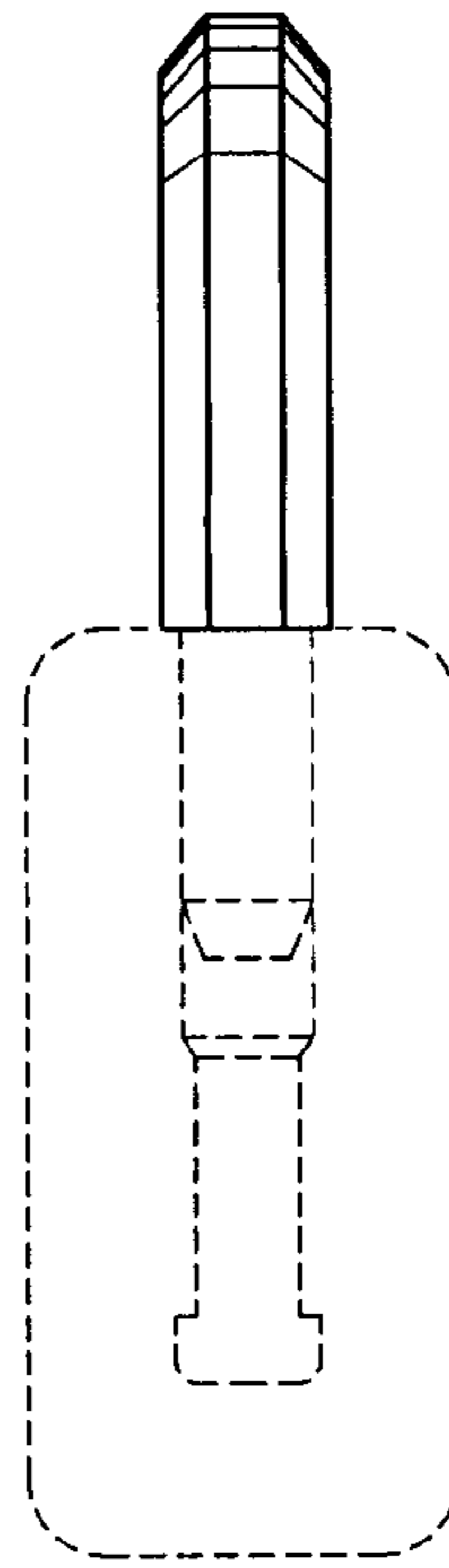


FIG. 3

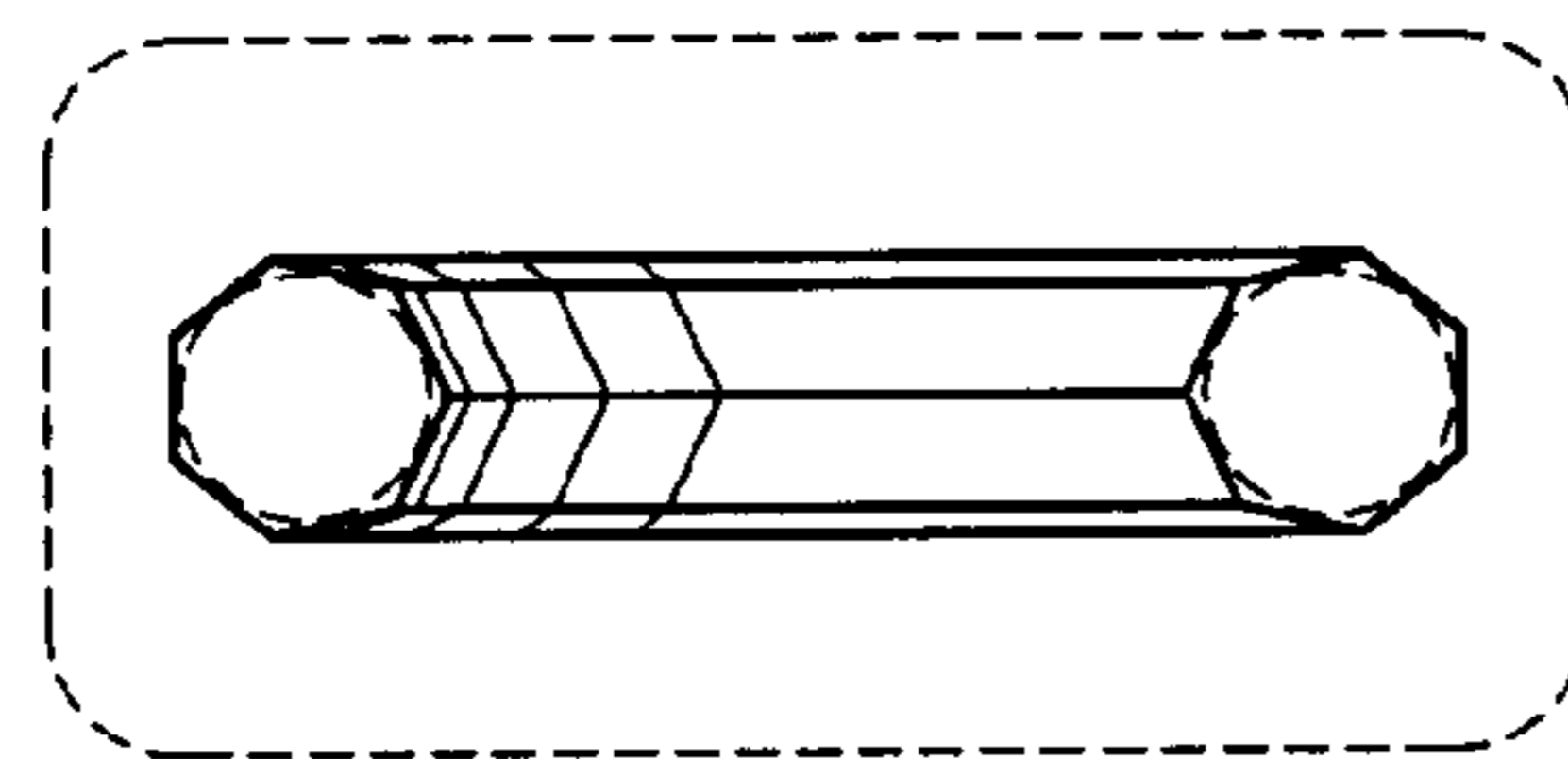


FIG. 4