

US00D529780S

(12) **United States Design Patent**
Davis

(10) **Patent No.:** **US D529,780 S**
(45) **Date of Patent:** **** Oct. 10, 2006**

(54) **SAFETY CUTTER UTILITY KNIFE**
(75) Inventor: **Raymond E. Davis**, Heath, TX (US)
(73) Assignee: **Dallco Marketing Services, Inc.**,
Dallas, TX (US)
(**) Term: **14 Years**
(21) Appl. No.: **29/223,945**
(22) Filed: **Feb. 23, 2005**
(51) **LOC (8) Cl.** **08-03**
(52) **U.S. Cl.** **D8/99**
(58) **Field of Classification Search** D8/98,
D8/99, 107; 30/162, 320, 329, 335, 337
See application file for complete search history.

5,697,157 A 12/1997 Votolato
D401,832 S 12/1998 Keklak et al.
5,852,874 A 12/1998 Walker
5,890,290 A 4/1999 Davis
5,890,294 A 4/1999 Keklak et al.
5,924,203 A 7/1999 Huang
6,035,534 A 3/2000 Abbott
6,070,326 A 6/2000 Berns
6,178,640 B1 1/2001 Votolato
6,192,589 B1 2/2001 Martone et al.
D455,061 S * 4/2002 Huang D8/98
D460,908 S * 7/2002 Sun D8/99
D476,214 S * 6/2003 Hsu D8/99
6,637,112 B1 10/2003 Davis
D492,179 S 6/2004 Hernandez et al.
6,813,833 B1 11/2004 Saunders et al.
2002/0124418 A1 9/2002 Votolato
2004/0237312 A1 12/2004 Hernandez et al.

* cited by examiner

(56) **References Cited**
U.S. PATENT DOCUMENTS

3,781,988 A 1/1974 Jones
4,031,616 A 6/1977 Hines et al.
4,086,698 A 5/1978 Sparks
4,091,537 A 5/1978 Stevenson, Jr.
4,503,612 A 3/1985 Davis
4,531,286 A 7/1985 Vito et al.
4,675,996 A 6/1987 DuBuque
4,683,656 A 8/1987 Peyrot et al.
4,713,885 A 12/1987 Keklak et al.
4,744,146 A 5/1988 Schmidt
4,757,612 A 7/1988 Peyrot
4,980,977 A 1/1991 Matin et al.
4,987,682 A 1/1991 Minnick
5,054,198 A 10/1991 Gmoch
5,241,750 A 9/1993 Chomiak
5,285,574 A 2/1994 Feltner
5,303,474 A 4/1994 Keklak et al.
5,386,632 A 2/1995 Schmidt
5,522,135 A 6/1996 Votolato
5,581,893 A 12/1996 Ouellette
5,613,300 A 3/1997 Schmidt

Primary Examiner—Philip S. Hyder
(74) *Attorney, Agent, or Firm*—Dennis T. Griggs

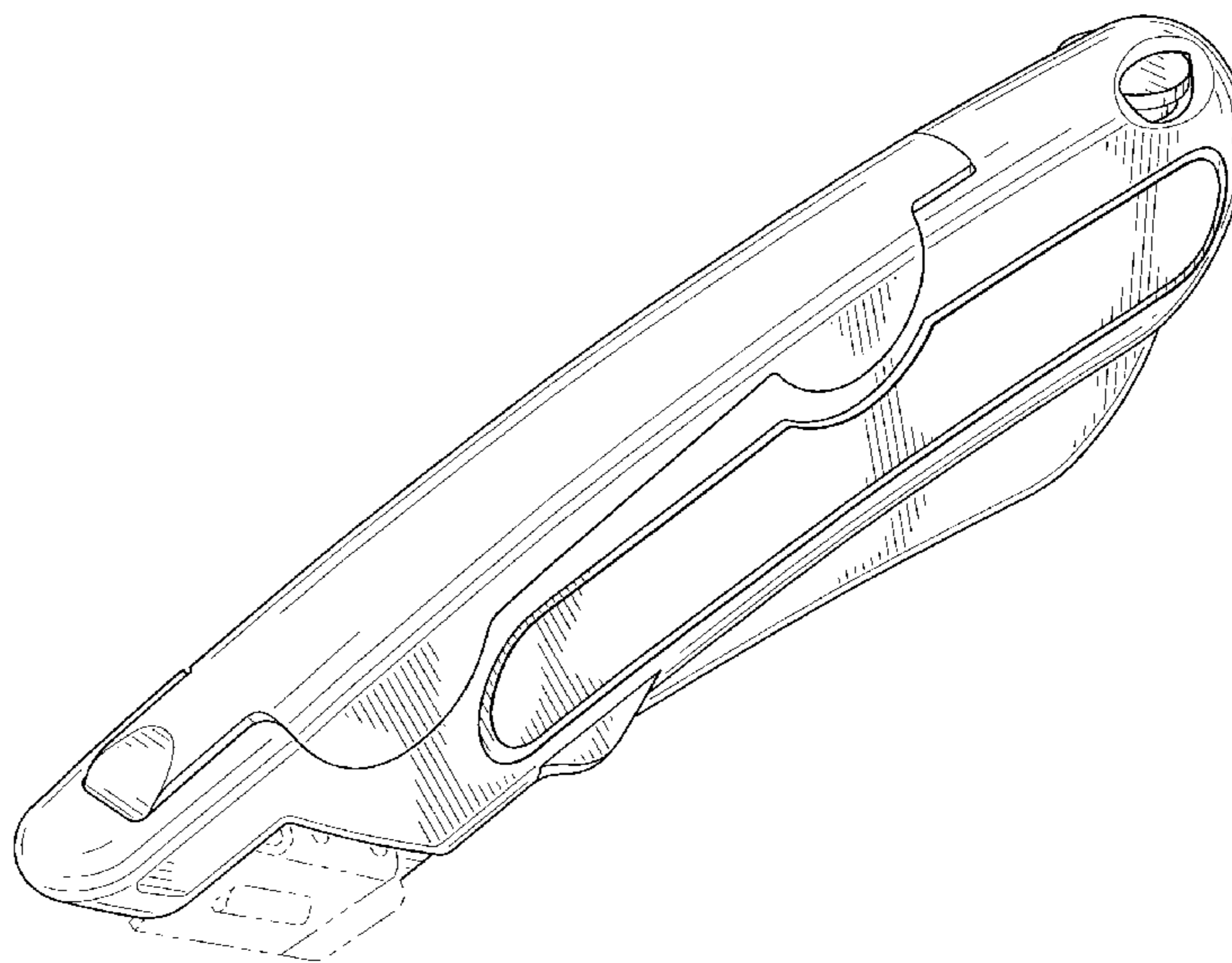
(57) **CLAIM**

The ornamental design for a safety cutter utility knife, as shown and described.

DESCRIPTION

FIG. 1 is a perspective view of a safety cutter utility knife showing my new design, looking downwardly at the top and left side thereof;
FIG. 2 is a left side elevational view thereof;
FIG. 3 is a front elevation view thereof;
FIG. 4 is a rear elevation view thereof;
FIG. 5 is a left side elevational view thereof;
FIG. 6 is a top plan view thereof; and,
FIG. 7 is a bottom plan view thereof.
The broken line structure is for illustrative purposes only and forms no part of the claimed design.

1 Claim, 3 Drawing Sheets



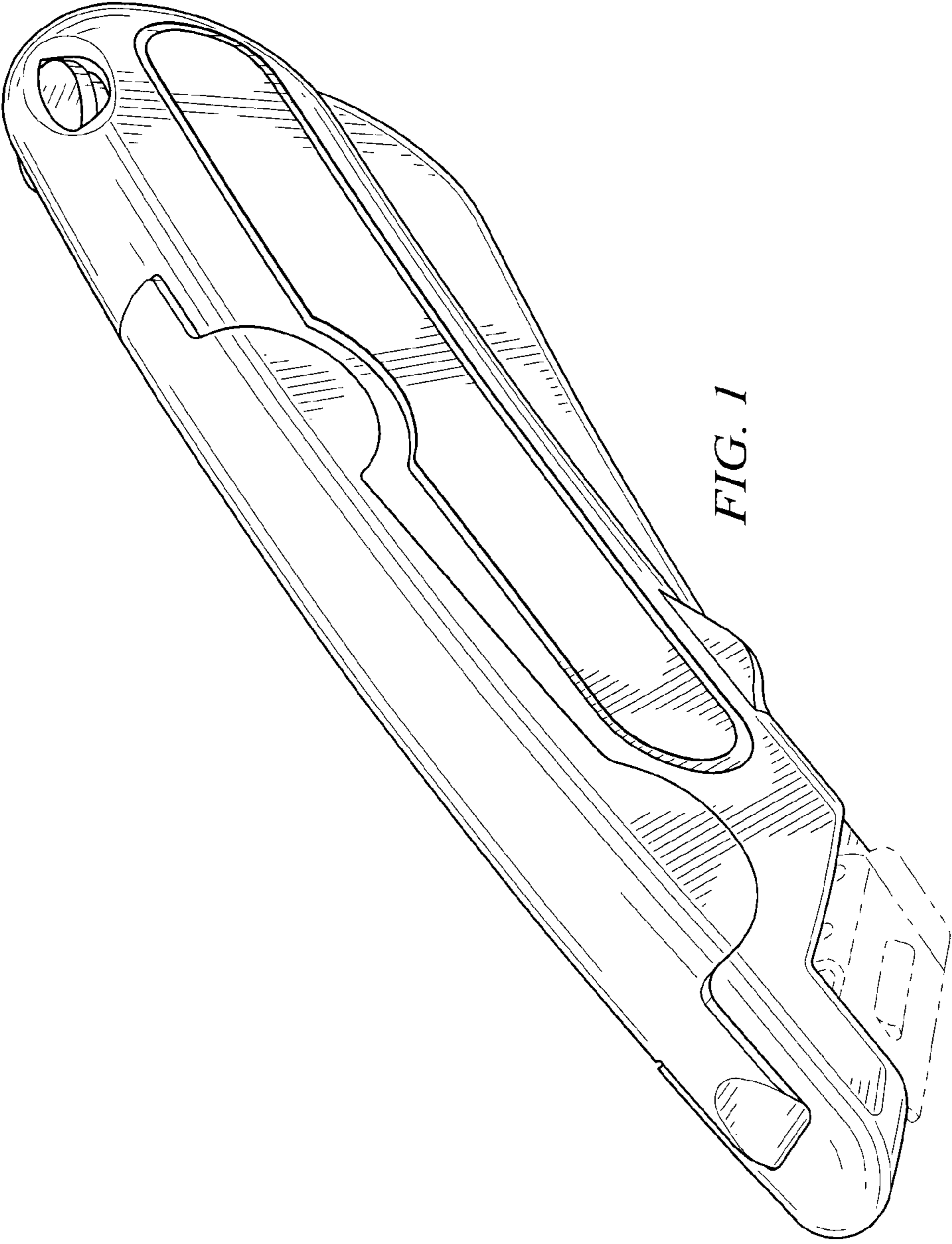


FIG. 1

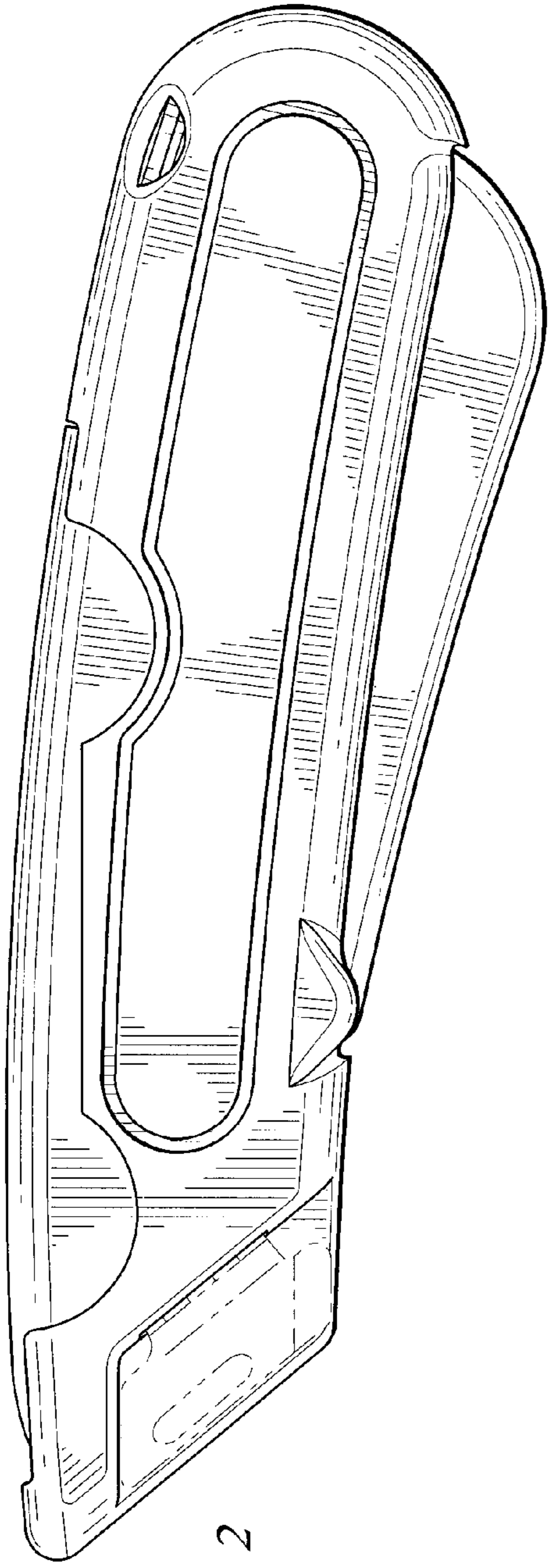


FIG. 2

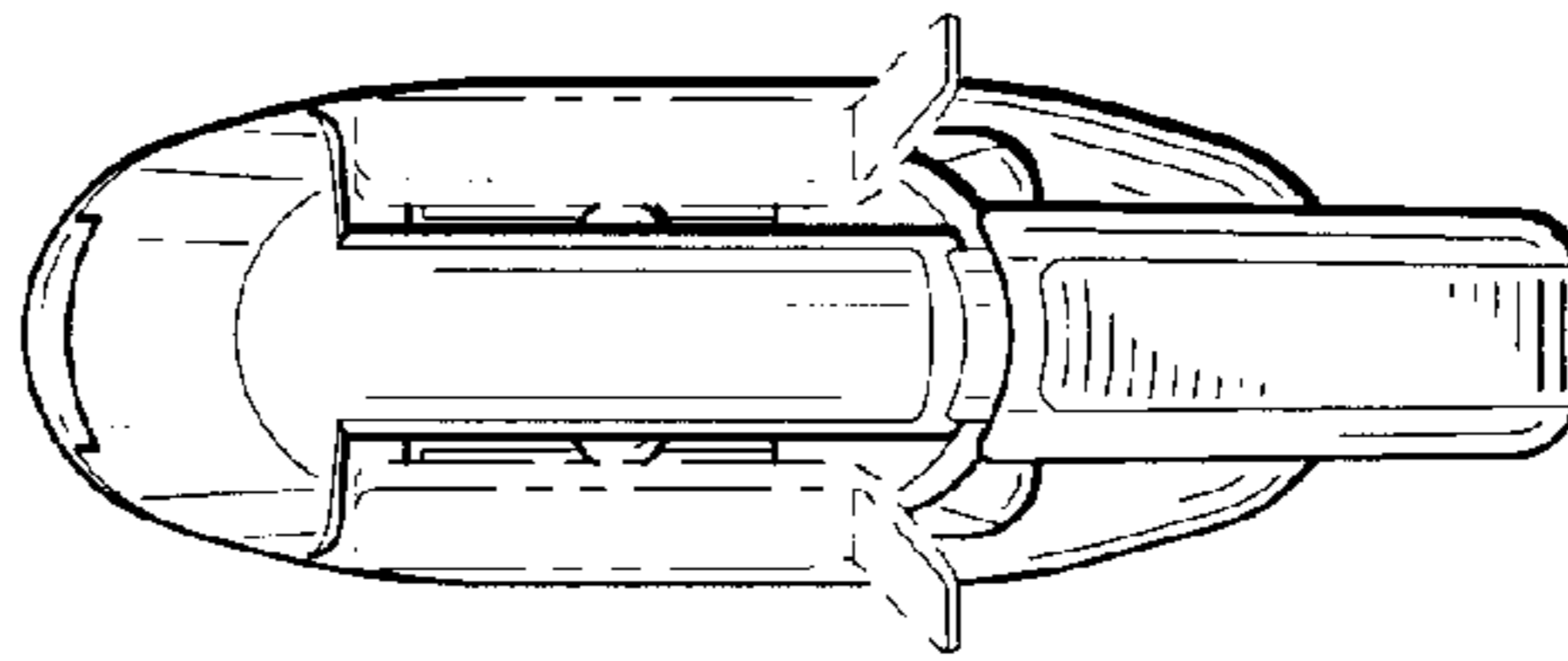


FIG. 3

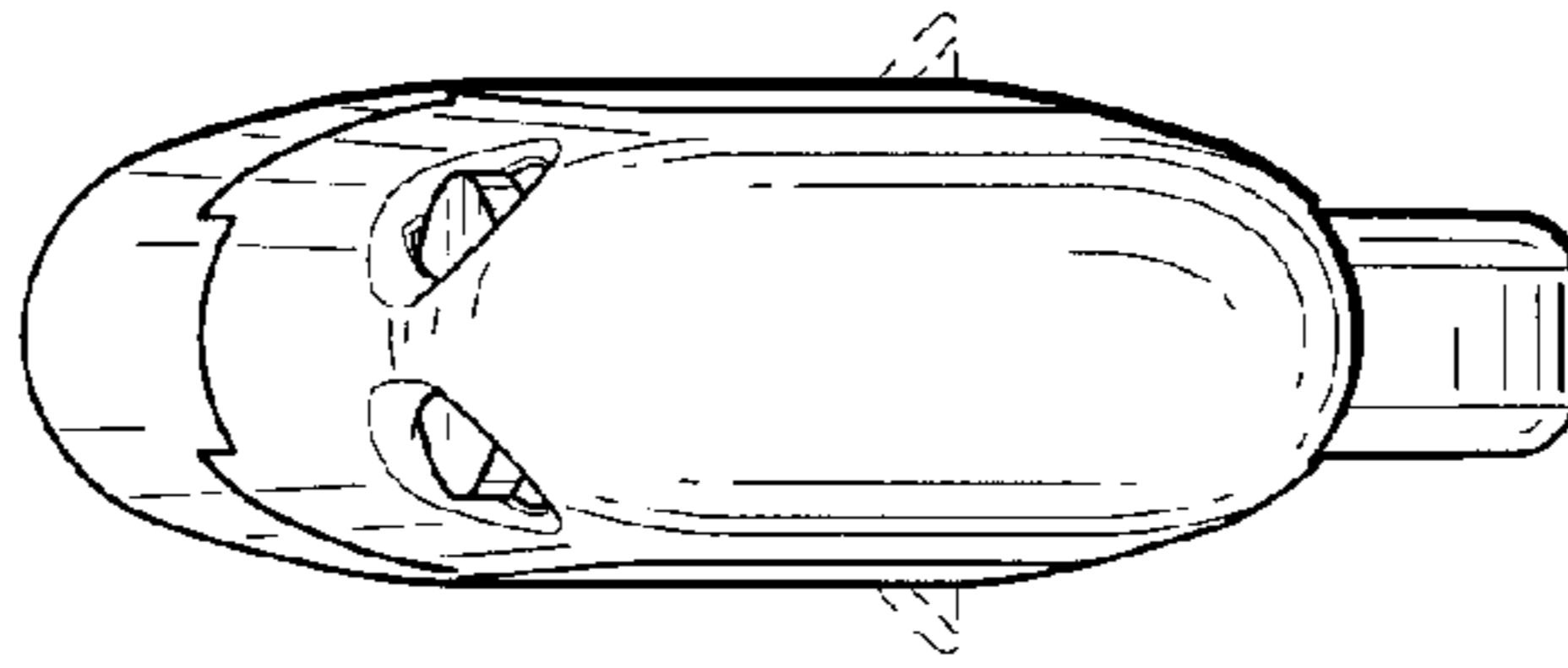


FIG. 4

FIG. 5

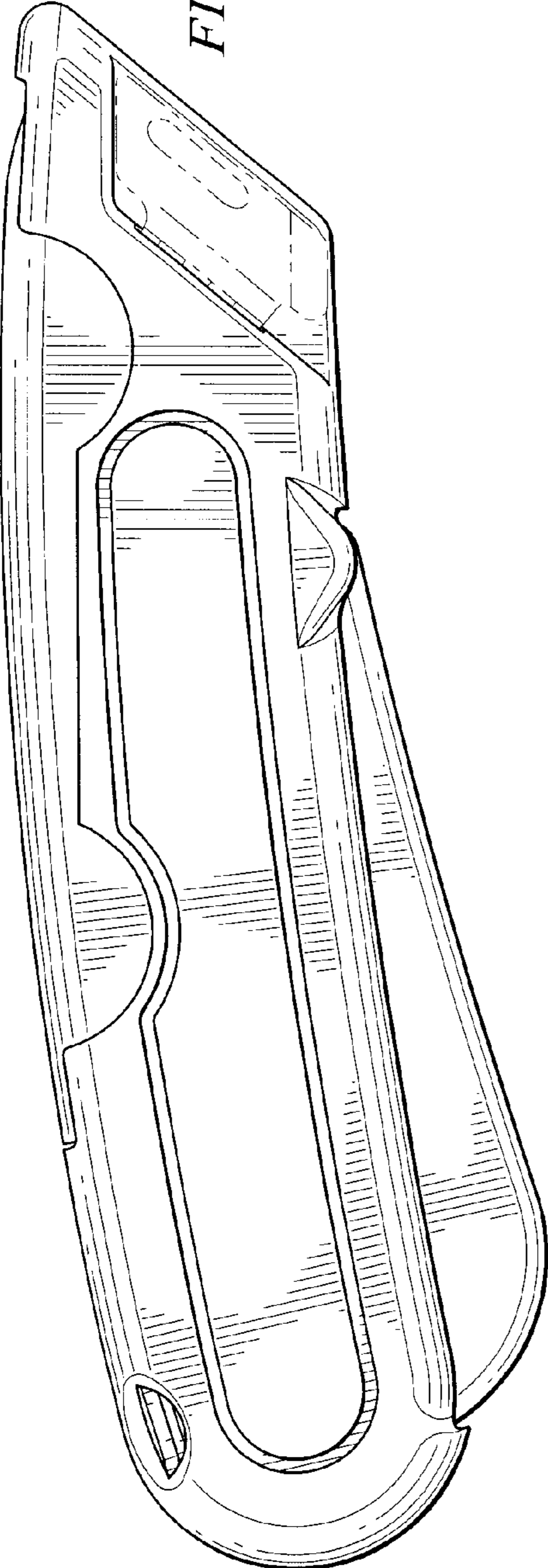


FIG. 6

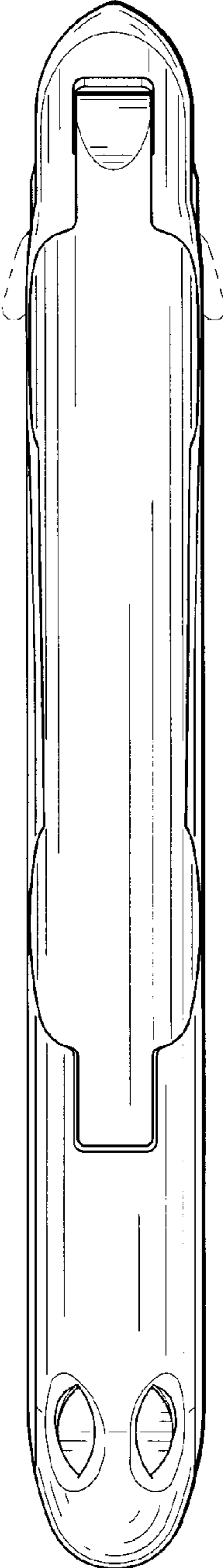


FIG. 7

