



US00D529778S

(12) **United States Design Patent** (10) **Patent No.:** **US D529,778 S**
Albertson et al. (45) **Date of Patent:** **** Oct. 10, 2006**

(54) **COMBINED SELECTOR AND DRIVE MEMBER**

(76) Inventors: **Robert V. Albertson**, 2100 Shadywood Rd., Wayzata, MN (US) 55391; **David V. Albertson**, 2100 Shadywood Rd., Wayzata, MN (US) 55391

(**) **Term:** **14 Years**

(21) **Appl. No.:** **29/210,353**

(22) **Filed:** **Jul. 30, 2004**

(51) **LOC (8) Cl.** **08-05**

(52) **U.S. Cl.** **D8/70**

(58) **Field of Classification Search** D15/143;
D8/29, 70; 81/59.1, 129
See application file for complete search history.

(56) **References Cited**

U.S. PATENT DOCUMENTS

2,003,155 A	5/1935	Pfauser	
3,517,574 A *	6/1970	Glatfelter	74/810.1
4,004,666 A	1/1977	Hinojosa	
4,608,887 A *	9/1986	Colvin	81/128
4,669,339 A	6/1987	Cartwright	
4,722,252 A	2/1988	Fulcher et al.	
4,892,016 A *	1/1990	Anderson	81/128
D312,760 S *	12/1990	Colvin	D8/29
4,987,803 A	1/1991	Chern	
5,651,647 A *	7/1997	Ray	408/239 R

5,941,140 A	8/1999	Suksi	
6,067,881 A	5/2000	Albertson	
6,112,624 A	9/2000	Chen	
6,298,753 B1	10/2001	Izumisawa	
6,435,060 B1	8/2002	Izumisawa	
D469,325 S *	1/2003	Carroll	D8/70
6,516,688 B1	2/2003	Albertson	
6,640,669 B1	11/2003	Izumisawa	
6,688,406 B1 *	2/2004	Wu et al.	173/48
2002/0184975 A1	12/2002	Ono et al.	
2003/0024715 A1	2/2003	Izumisawa	

* cited by examiner

Primary Examiner—Holly Baynham

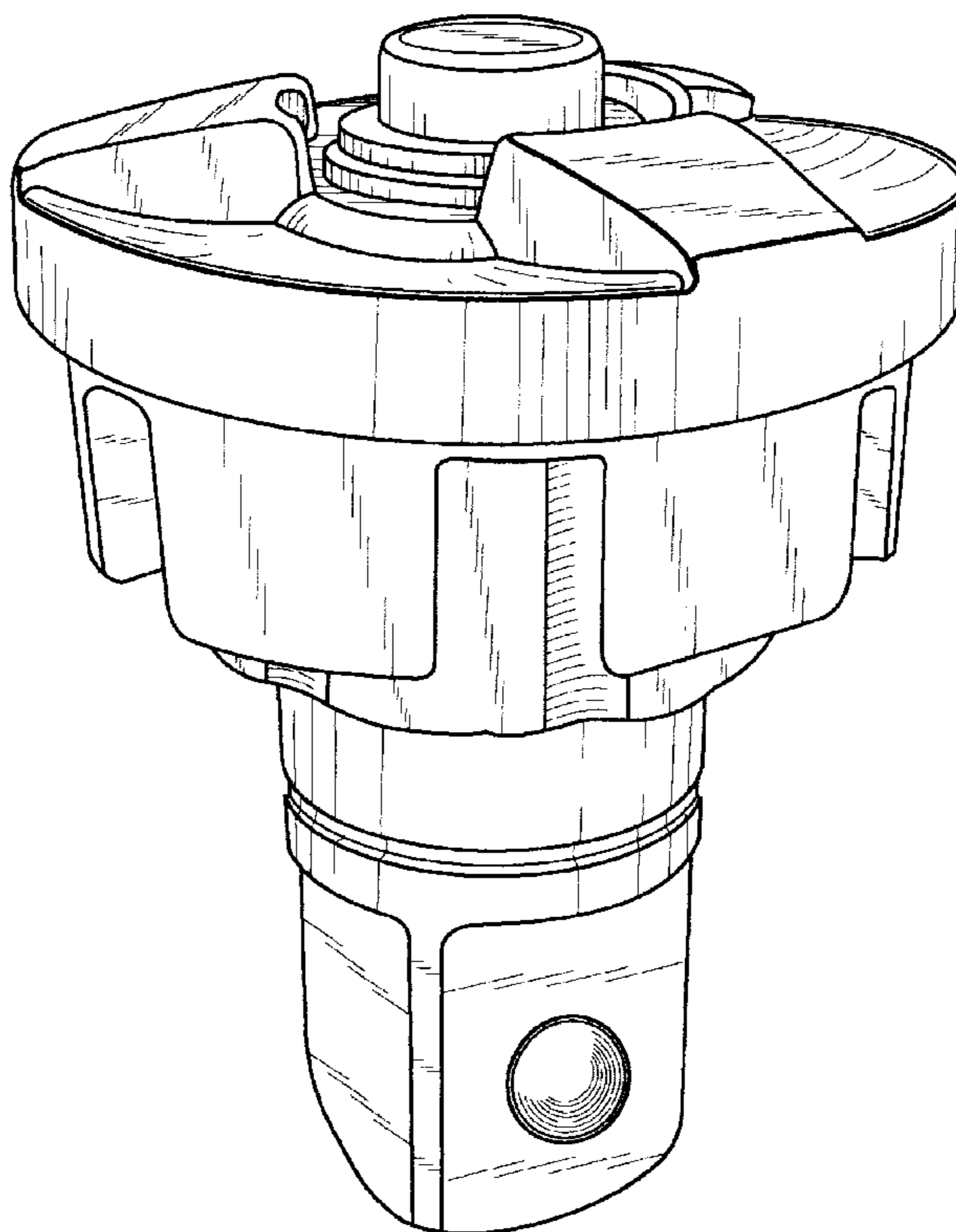
(57) **CLAIM**

The ornamental design of the combined selector and drive member, as shown and described.

DESCRIPTION

FIG. 1 is a perspective view of a combined selector and drive member of our new design;
FIG. 2 is a top plan view thereof;
FIG. 3 is a front elevational view thereof;
FIG. 4 is a rear elevation view thereof;
FIG. 5 is a side elevational view of the right side thereof;
FIG. 6 is a side elevational view of the left side thereof;
FIG. 7 is a bottom plan view thereof; and,
FIG. 8 is a sectional view taken along line 8—8 of FIG. 2.

1 Claim, 8 Drawing Sheets



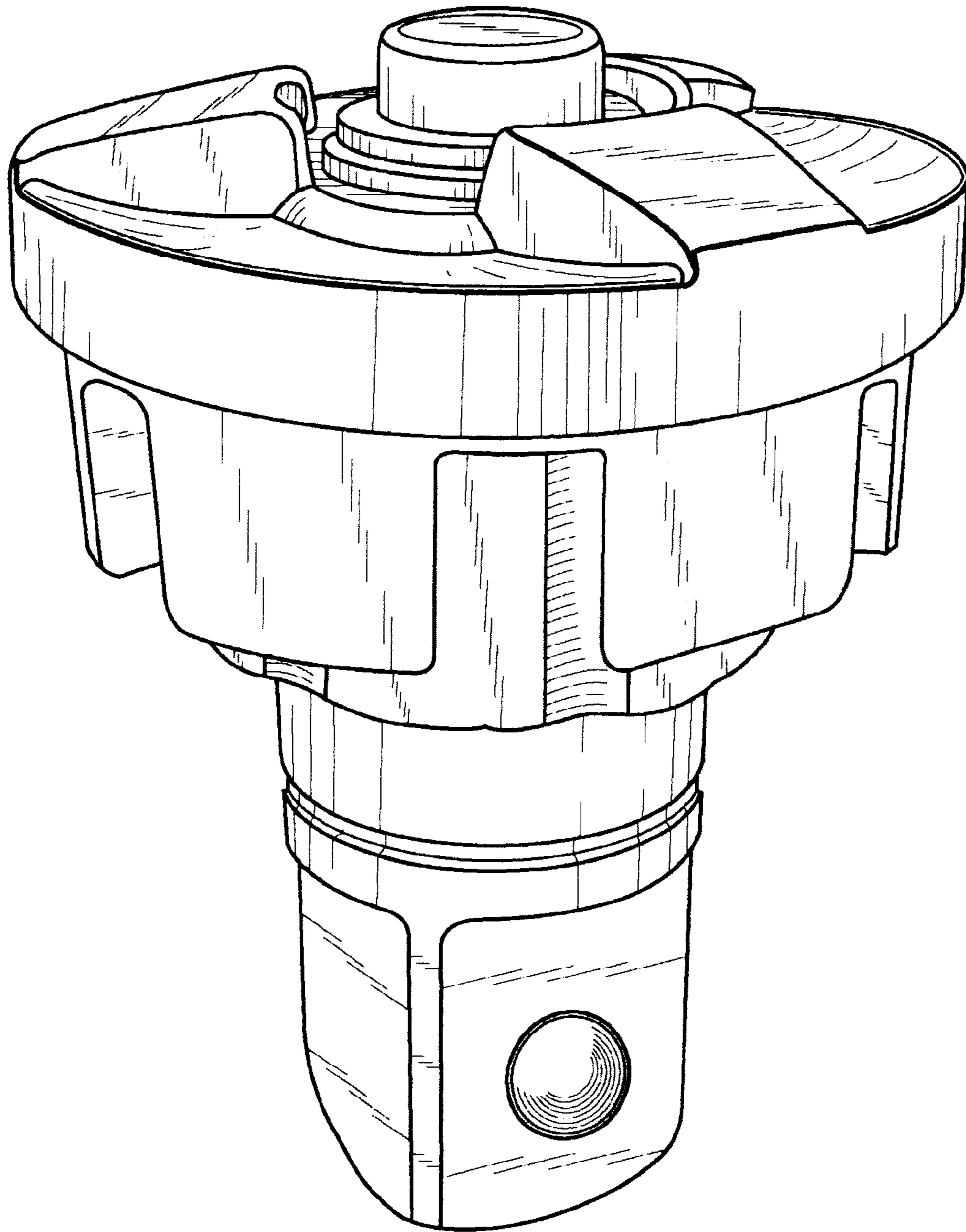


FIG. 1

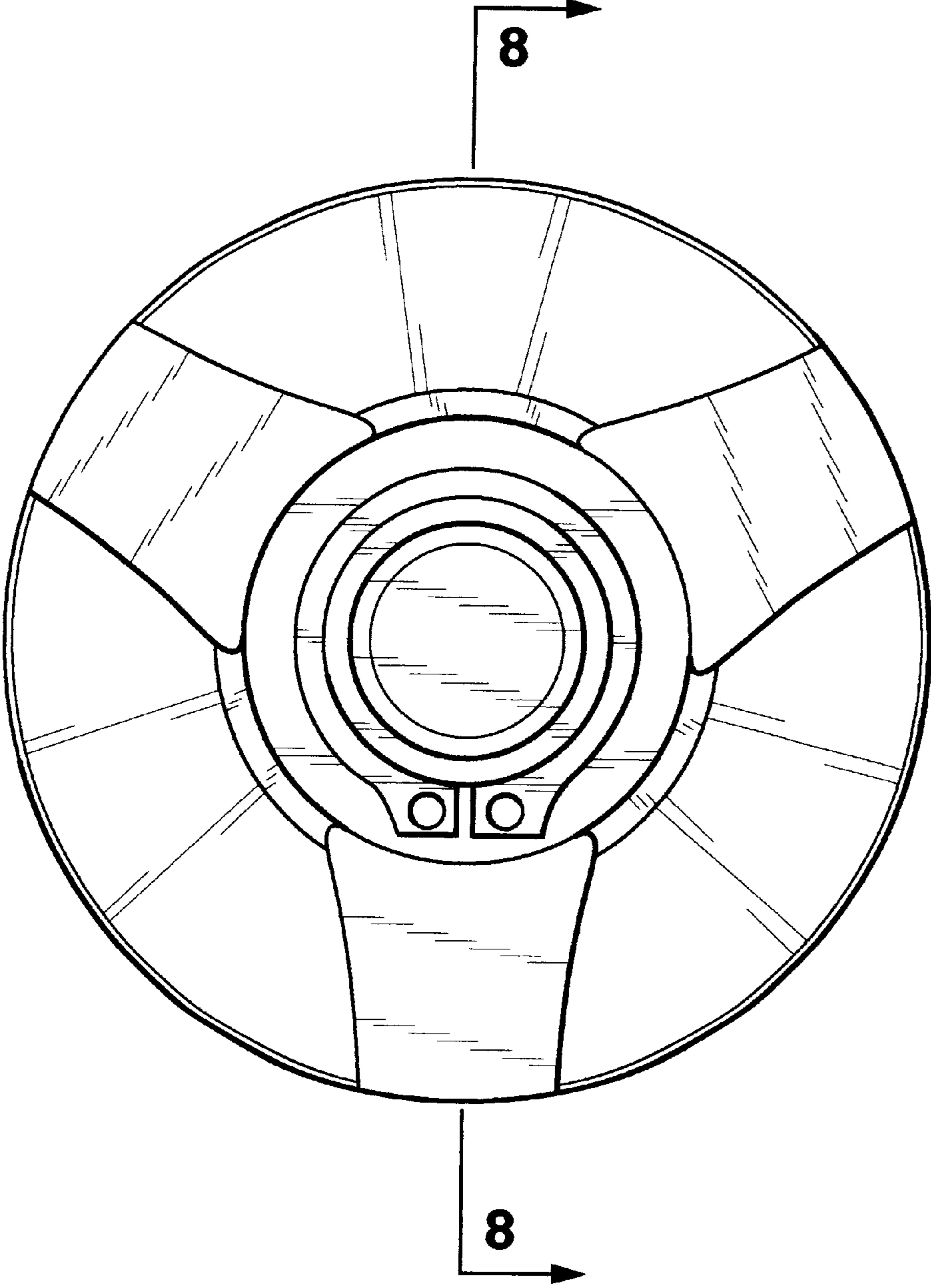


FIG. 2

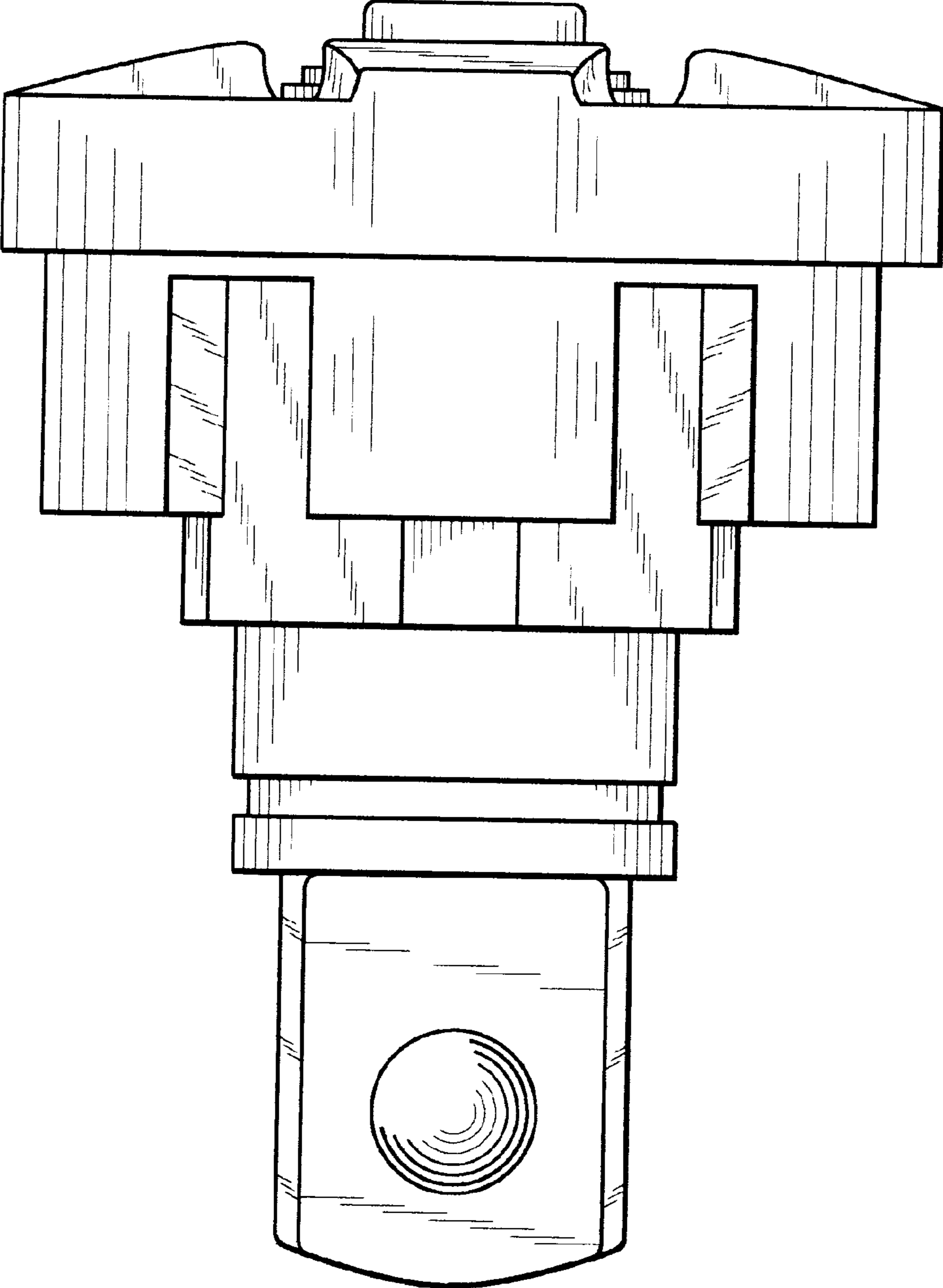


FIG. 3

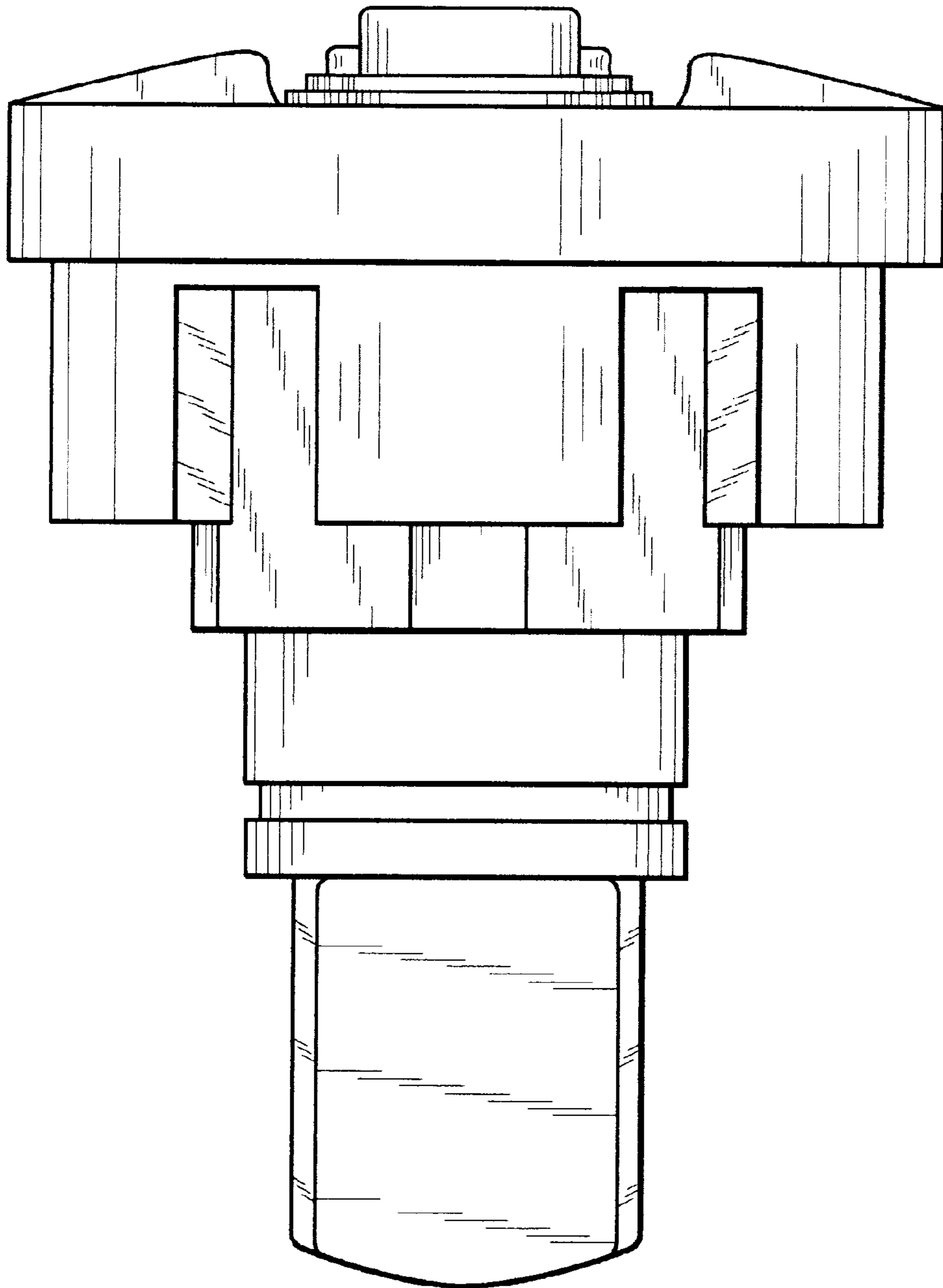


FIG. 4

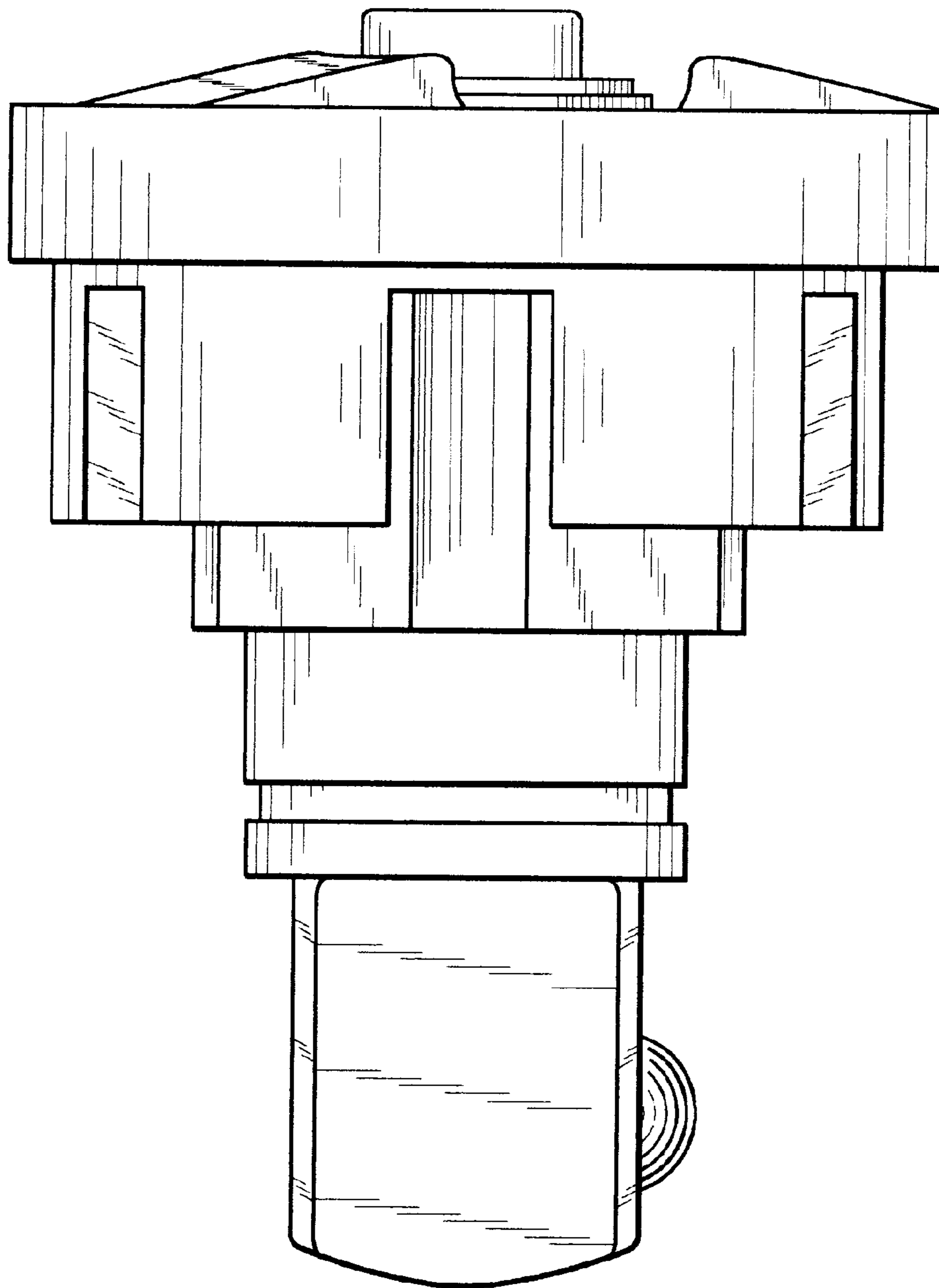


FIG. 5

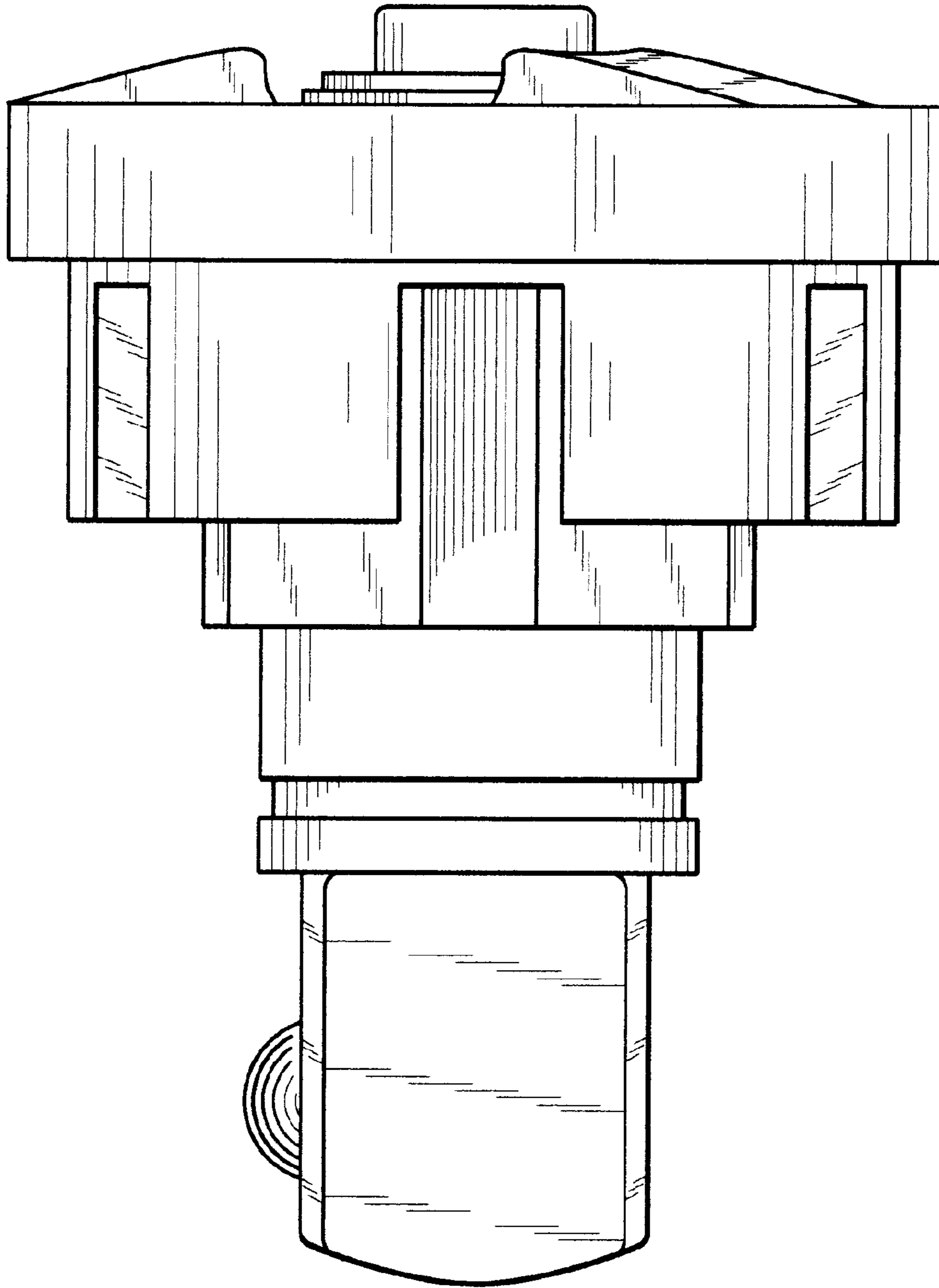


FIG. 6

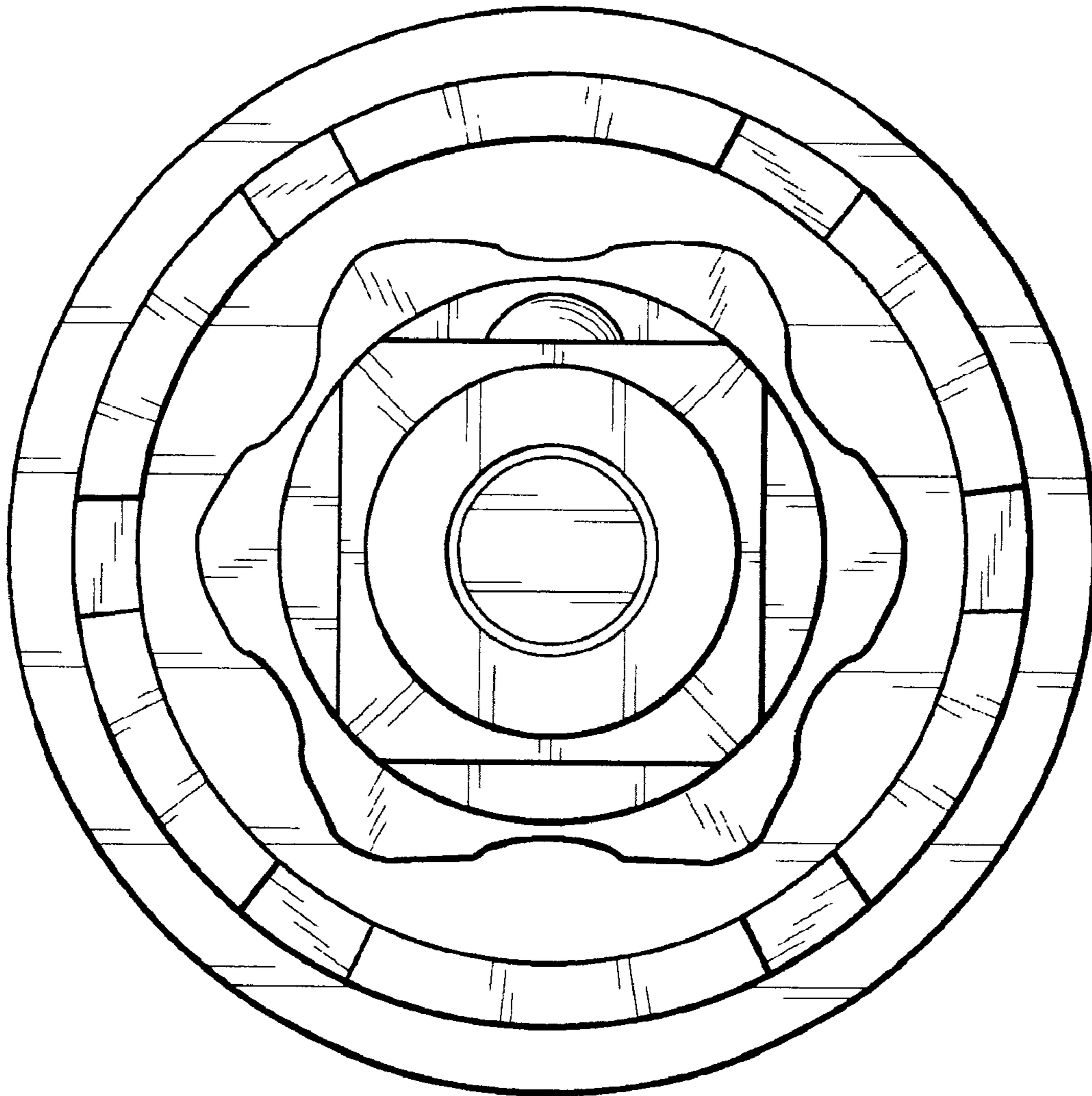


FIG. 7

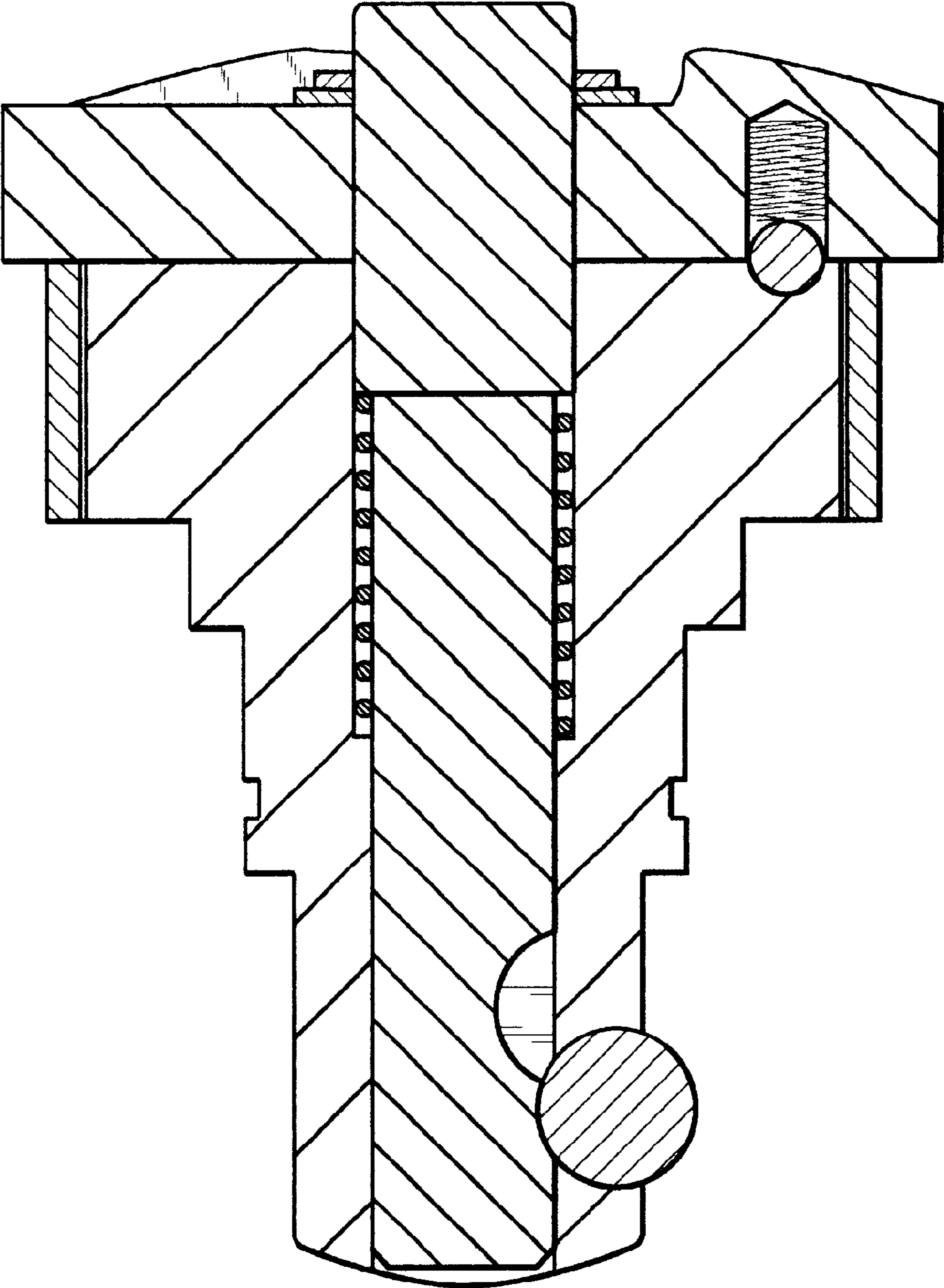


FIG. 8