



US00D529776S

(12) **United States Design Patent**
Chen

(10) **Patent No.:** **US D529,776 S**
(45) **Date of Patent:** **** Oct. 10, 2006**

(54) **MAIN BODY OF A PNEUMATIC SCREWDRIVER**
(75) Inventor: **Mark Chen**, Taichung (TW)
(73) Assignee: **Basso Industry Corp.**, Taichung (TW)
(**) Term: **14 Years**

(21) Appl. No.: **29/214,736**
(22) Filed: **Oct. 7, 2004**

(51) **LOC (8) Cl.** **08-04**
(52) **U.S. Cl.** **D8/68**
(58) **Field of Classification Search** D8/14.1,
D8/61, 62, 63, 64, 65, 66, 67, 68, 69, 70;
81/57.11, 429, 464, 465, 466, 469, 489; 173/13,
173/169, 178, 213, 217; 227/8, 114, 120,
227/130, 136, 142; 310/50; 408/20, 124,
408/125, 234, 241 R; 451/358
See application file for complete search history.

(56) **References Cited**
U.S. PATENT DOCUMENTS

4,448,098 A * 5/1984 Totsu 81/57.11
4,751,452 A * 6/1988 Kilmer et al. 310/50
D328,411 S * 8/1992 Cavedo D8/68
5,913,370 A * 6/1999 Chapelle et al. 173/169
D462,593 S * 9/2002 Nottingham et al. D8/68

D466,778 S * 12/2002 Morgan D8/68
D468,610 S * 1/2003 Chien D8/68
D477,512 S * 7/2003 Liu et al. D8/68
D486,713 S * 2/2004 Lai D8/68
D487,219 S * 3/2004 Chudy et al. D8/68
D498,128 S * 11/2004 Sterling D8/68

* cited by examiner

Primary Examiner—T. Chase Nelson
(74) *Attorney, Agent, or Firm*—Charles E. Baxley

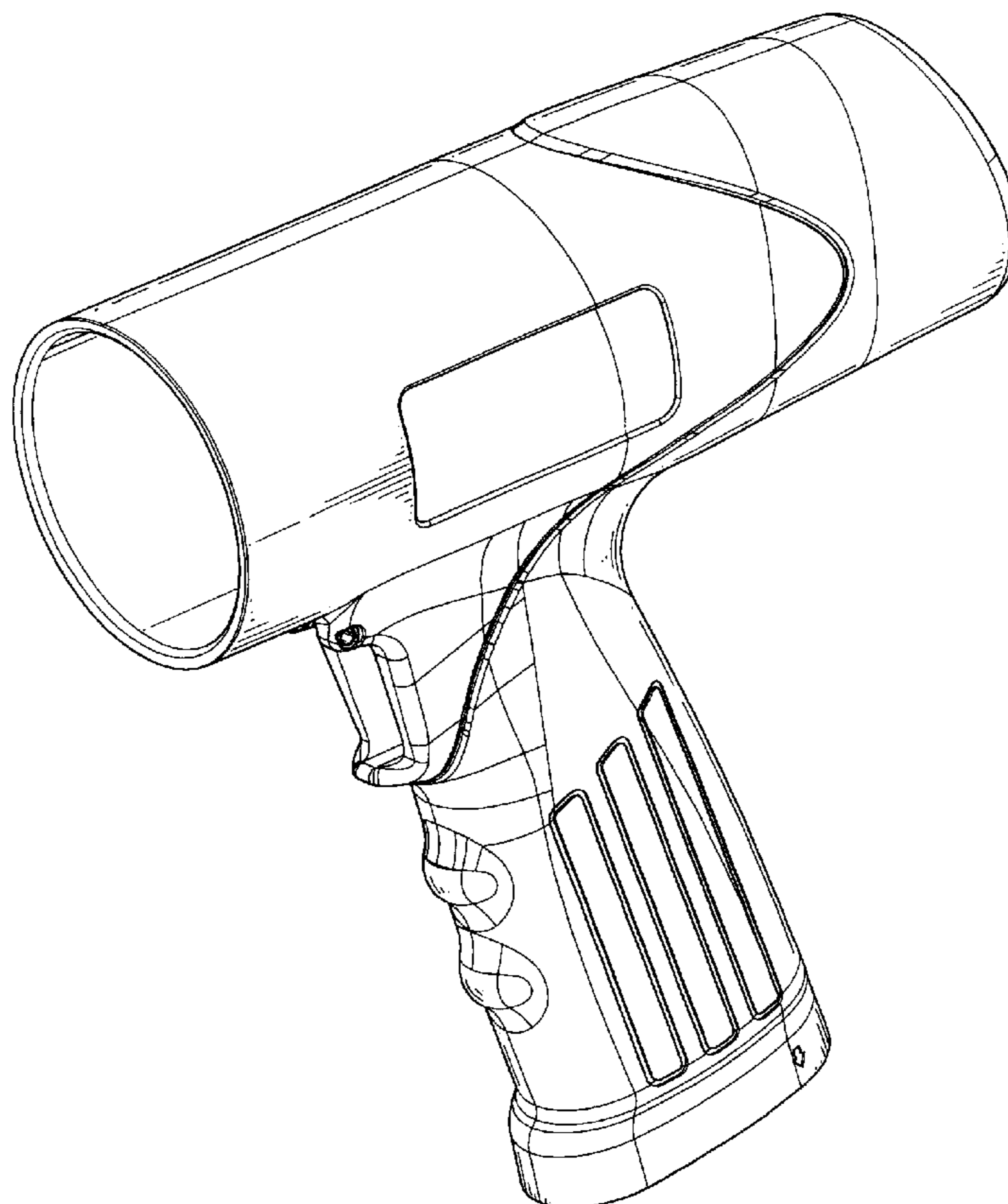
(57) **CLAIM**

The ornamental design for a main body of a pneumatic screwdriver, as shown and described.

DESCRIPTION

FIG. 1 is a perspective view of an main body of a pneumatic screwdriver showing my new design;
FIG. 2 is a front elevational view thereof;
FIG. 3 is a rear elevational view thereof,
FIG. 4 is a left side elevational view thereof,
FIG. 5 is a right side elevational view thereof,
FIG. 6 is a top plan view thereof; and
FIG. 7 is a bottom plan view thereof; and,
FIG. 8 is a perspective view of main body of a pneumatic screwdriver, the broken lines shown are for illustrative purposes only and from no part of the claimed design.

1 Claim, 8 Drawing Sheets



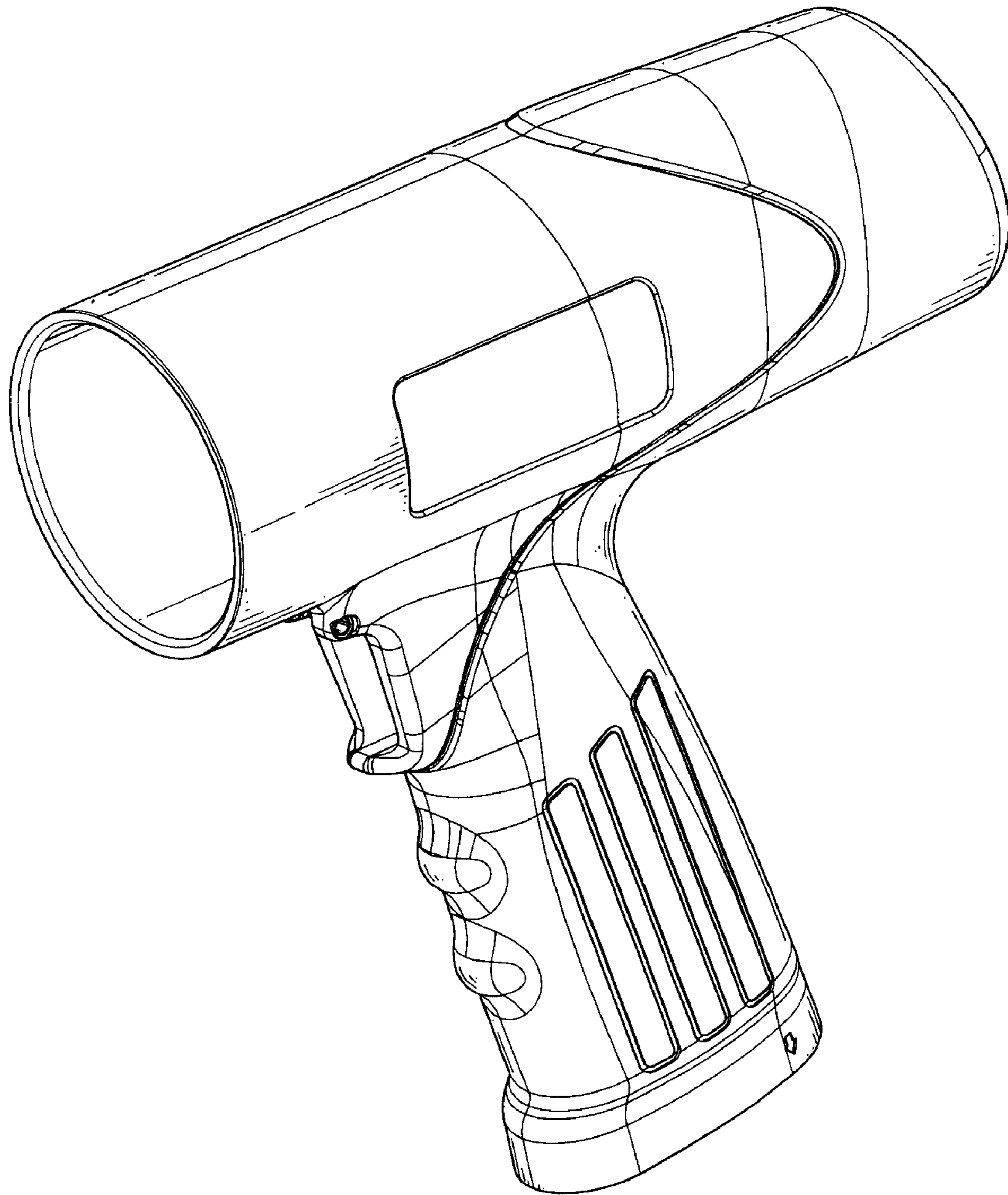


FIG. 1

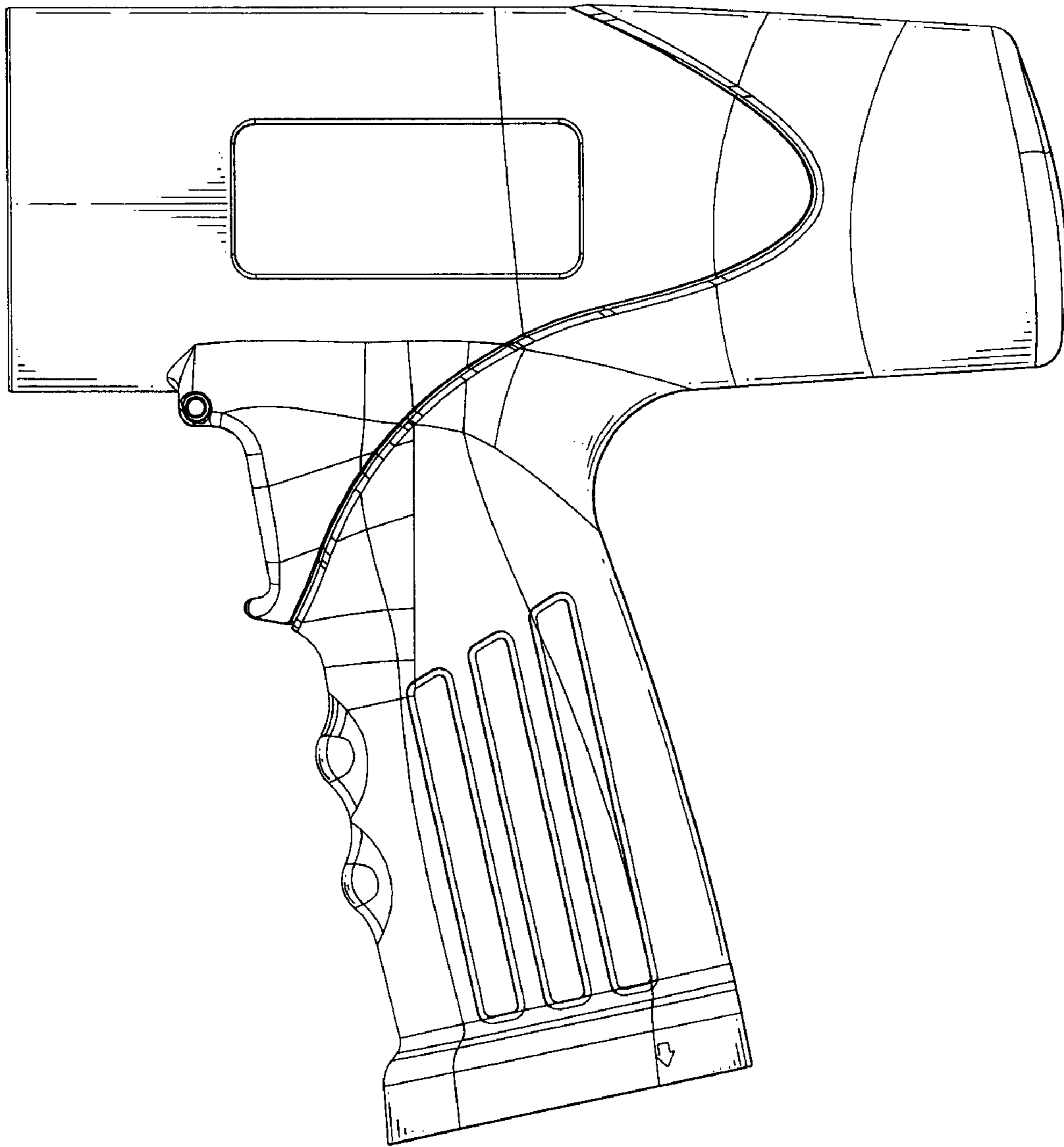


FIG. 2

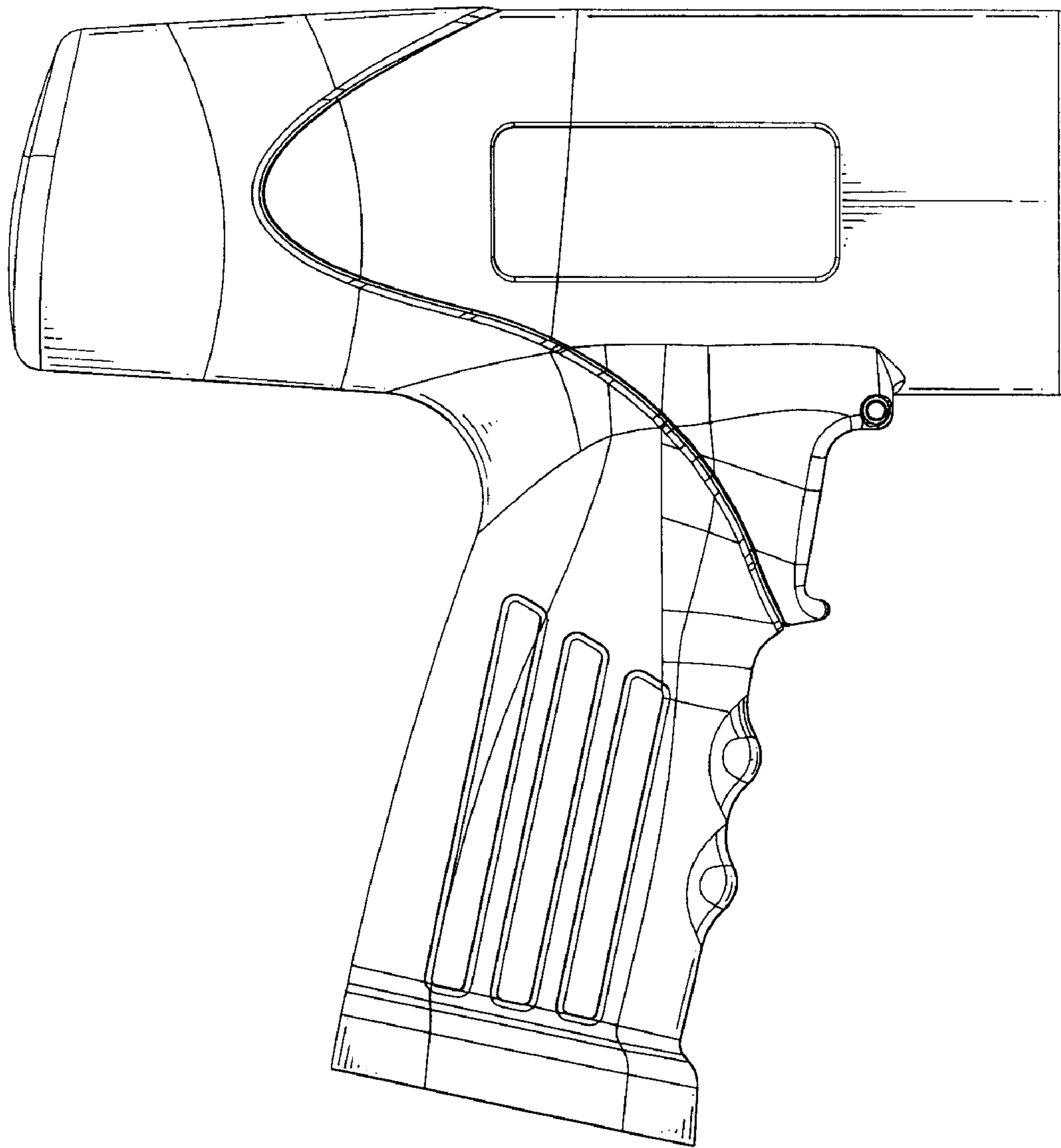


FIG. 3

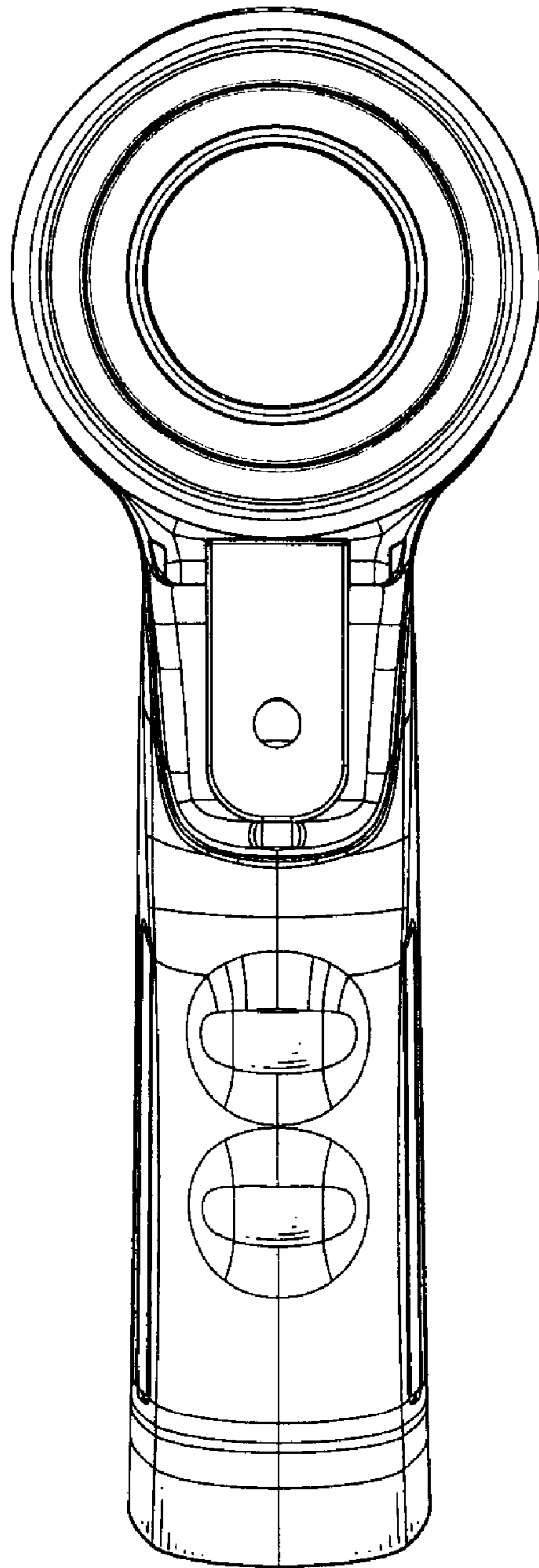


FIG. 4

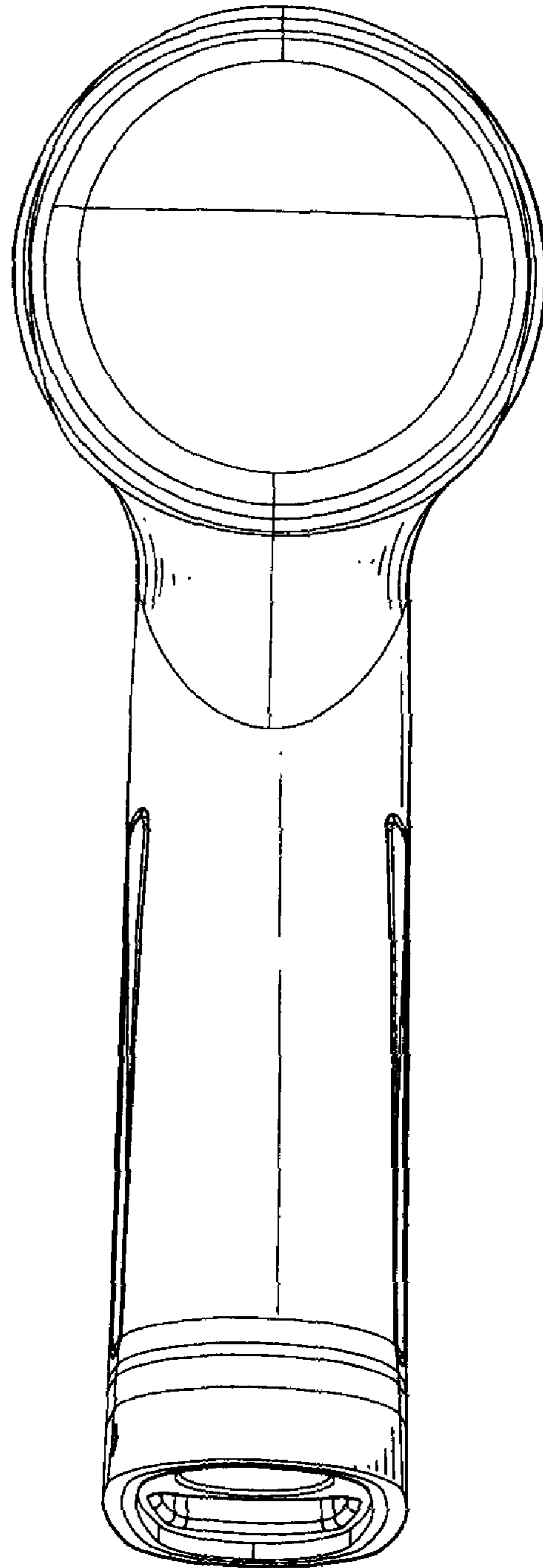


FIG. 5

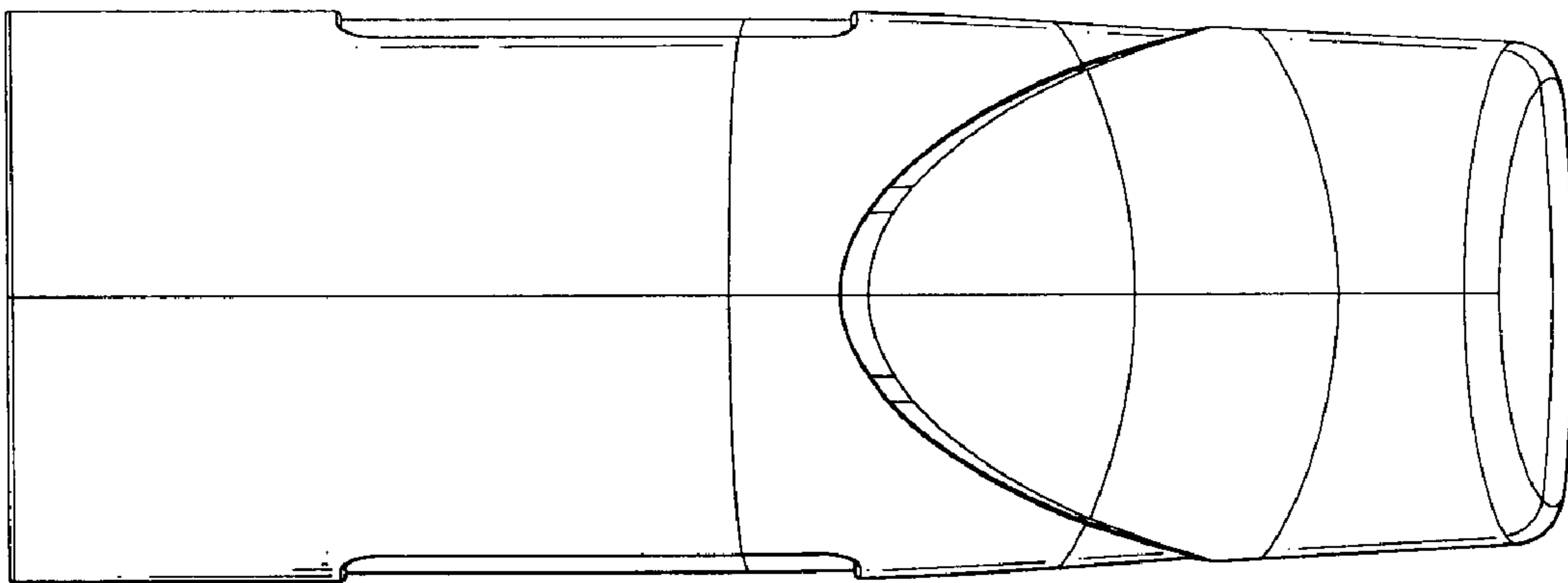


FIG. 6

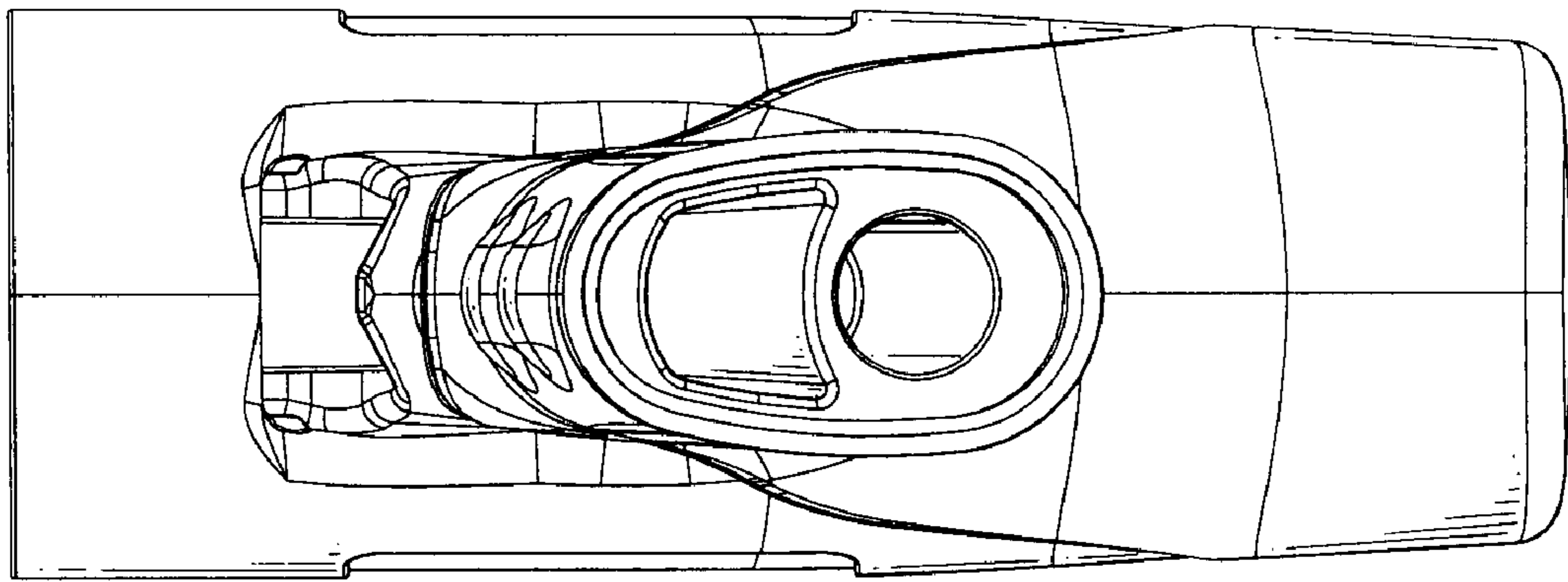


FIG. 7

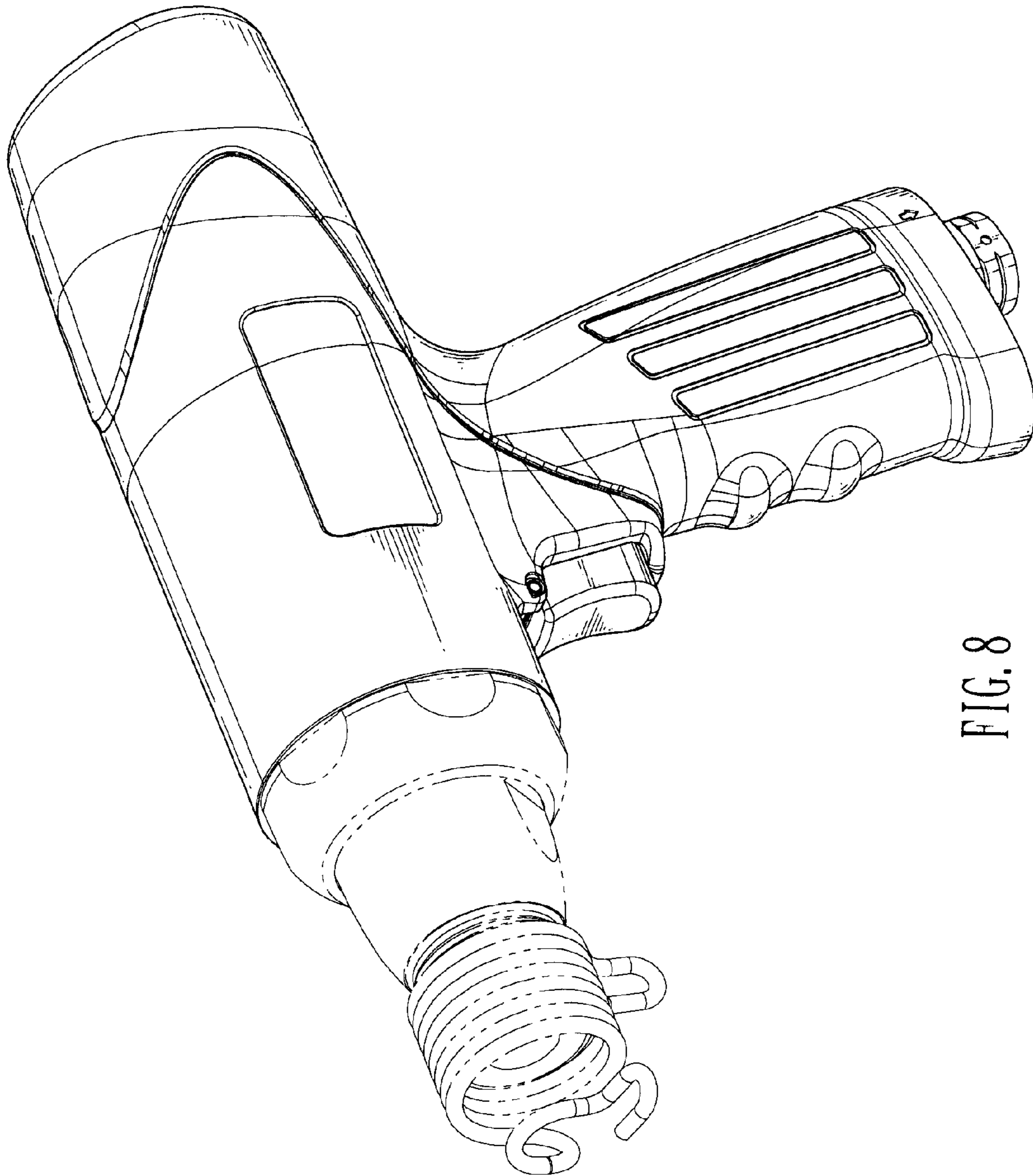


FIG. 8