



US00D529775S

(12) **United States Design Patent**
Leasure

(10) **Patent No.:** **US D529,775 S**

(45) **Date of Patent:** **** Oct. 10, 2006**

(54) **BELT SANDER**

(75) Inventor: **Jeremy D. Leasure**, Jackson, TN (US)

(73) Assignee: **Black & Decker Inc.**, Newark, DE (US)

(**) Term: **14 Years**

(21) Appl. No.: **29/243,750**

(22) Filed: **Nov. 30, 2005**

(51) **LOC (8) Cl.** **08-01**

(52) **U.S. Cl.** **D8/62**

(58) **Field of Classification Search** D8/67,
D8/62, 61; D32/15, 17, 19; D4/102; 451/456,
451/451, 359, 358, 357, 356, 355, 354, 353,
451/351, 344

See application file for complete search history.

(56) **References Cited**

U.S. PATENT DOCUMENTS

D176,001 S	*	11/1955	Moore	D8/62
D255,319 S		6/1980	Schultz et al.		
5,094,000 A	*	3/1992	Becht et al.	30/475
6,159,085 A	*	12/2000	Hara	451/451
D487,008 S		2/2004	Andriolo		
6,688,349 B1	*	2/2004	Roshilavati Razlan et al.	144/154.5
D492,563 S	*	7/2004	Wright	D8/62
D501,775 S	*	2/2005	Tillman et al.	D8/62
D508,833 S		8/2005	Brazell et al.		
D509,117 S	*	9/2005	Tillman et al.	D8/62
D509,720 S	*	9/2005	Robson	D8/62
D512,619 S	*	12/2005	Aglassinger	D8/62
2006/0003680 A1	*	1/2006	Robson	451/357

FOREIGN PATENT DOCUMENTS

DE	49812037	8/1999
DE	40107535	4/2002
DE	40109686	7/2002
DE	40205807	11/2002
DE	40303994	11/2003
DE	40401047	11/2004
DE	40500318	9/2005

OTHER PUBLICATIONS

Deposits Published Under the 1960 Act (DM/059818)
Proxxon S.A., Feb. 27, 2002.

Deposits Published Under the 1960 Act (DM062572)
Positec Power Tools Nov. 12, 2002.

* cited by examiner

Primary Examiner—Cathron C. Brooks

Assistant Examiner—Austin Murphy

(74) *Attorney, Agent, or Firm*—Joseph F. Key

(57) **CLAIM**

The ornamental design for a belt sander, as shown and described.

DESCRIPTION

FIG. 1 is a left/front perspective view of the belt sander.

FIG. 2 is a right/rear perspective view thereof.

FIG. 3 is a front view thereof.

FIG. 4 is a rear view thereof.

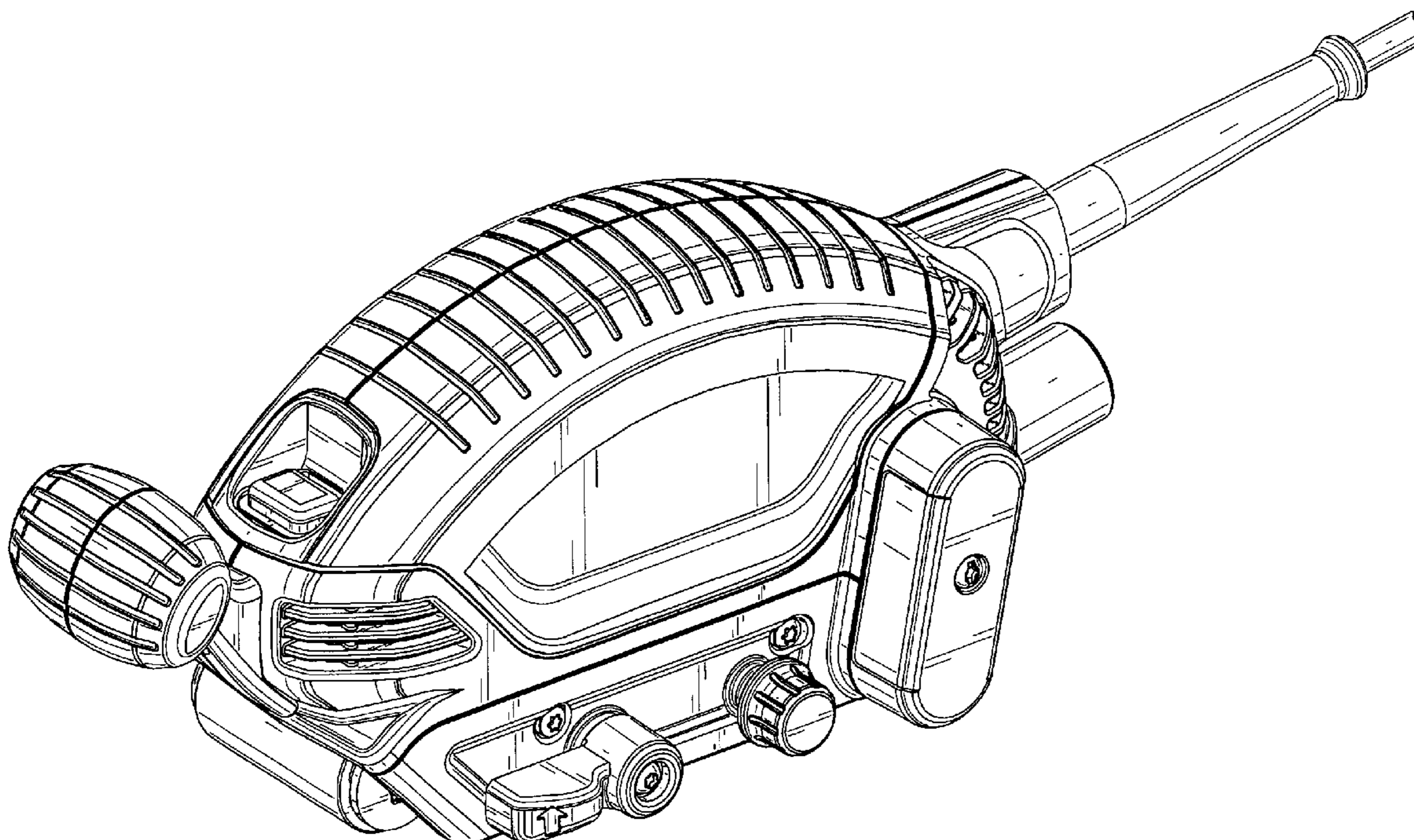
FIG. 5 is a right side view thereof.

FIG. 6 is a left side view thereof.

FIG. 7 is top view thereof; and,

FIG. 8 is a bottom view thereof.

1 Claim, 7 Drawing Sheets



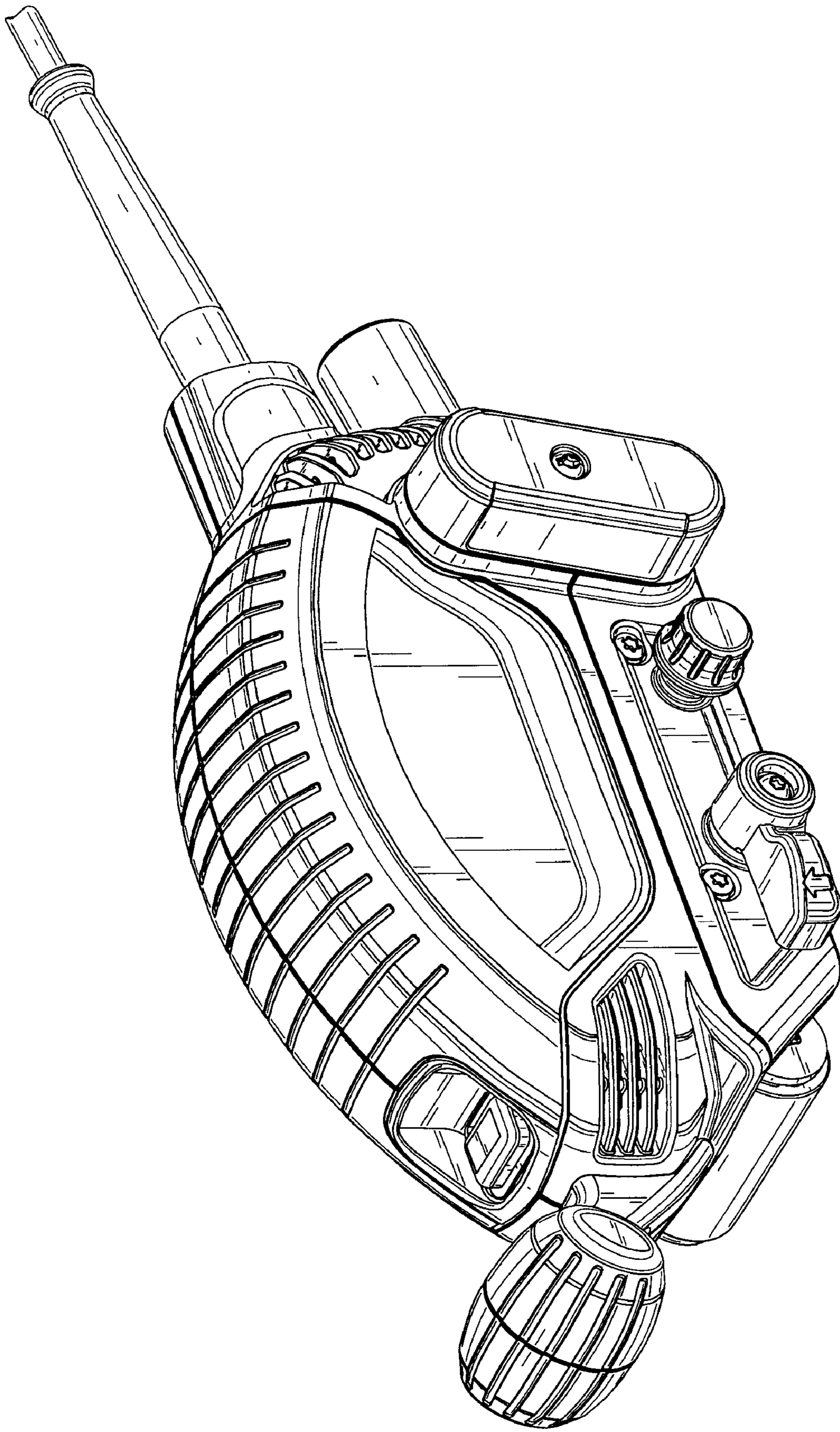


FIG. 1

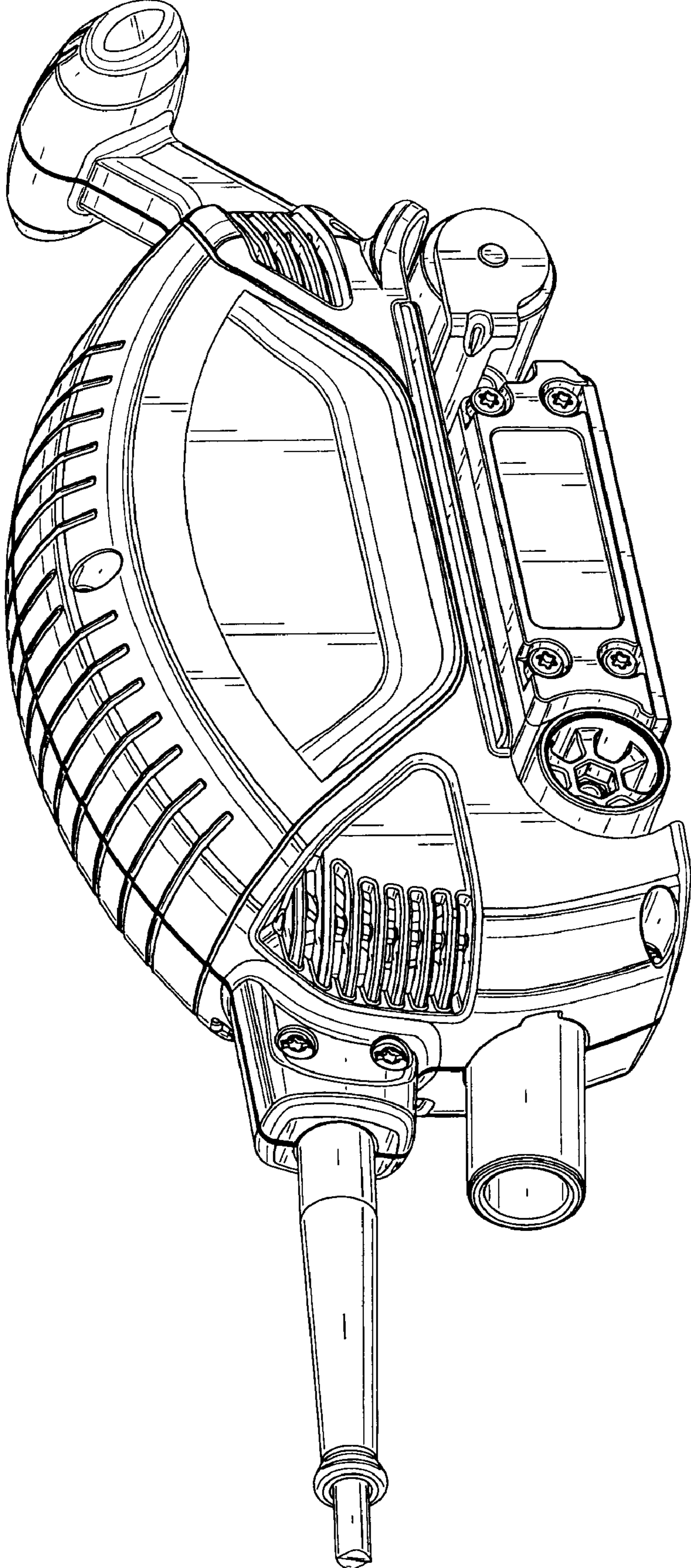


FIG. 2

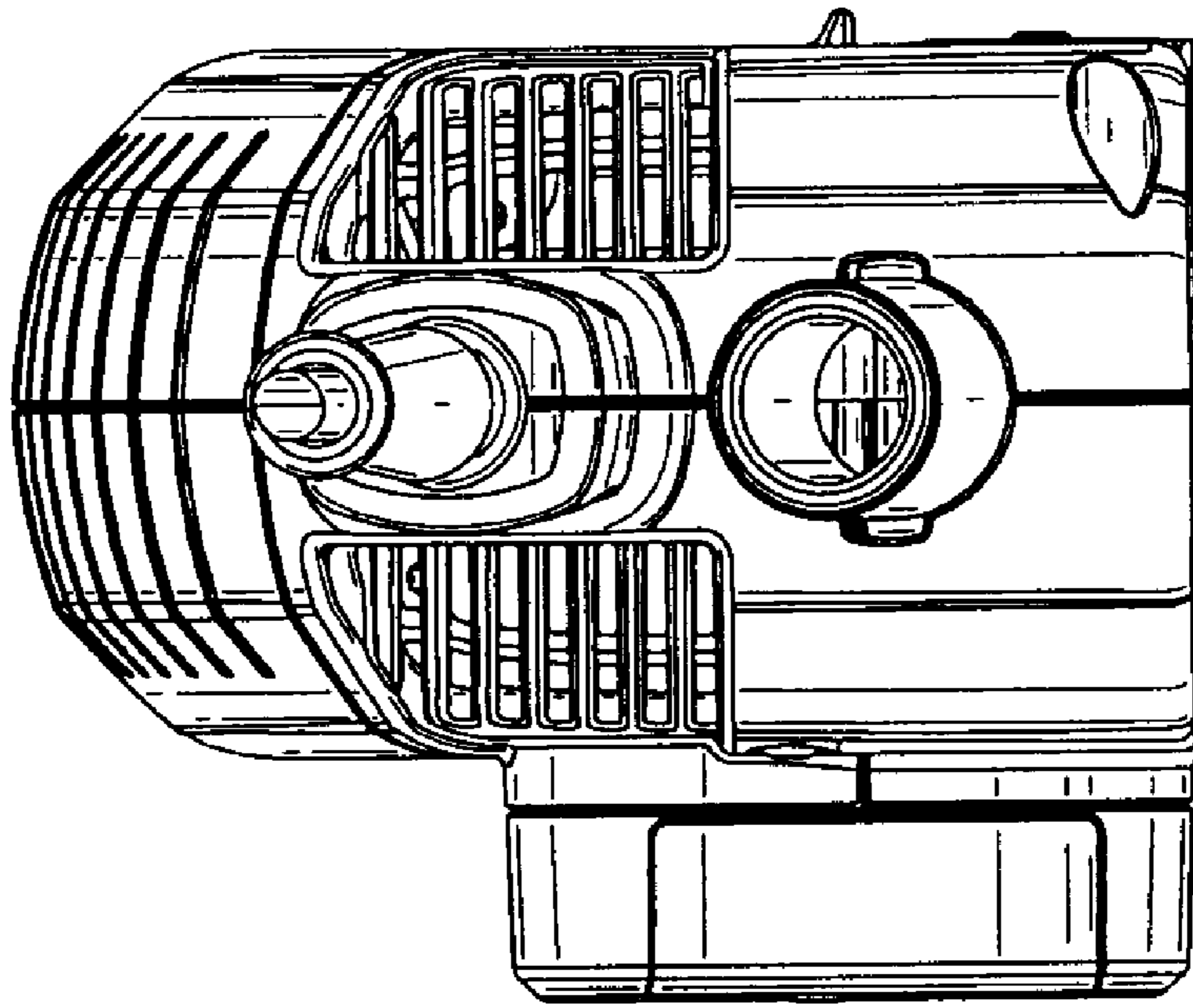


FIG. 4

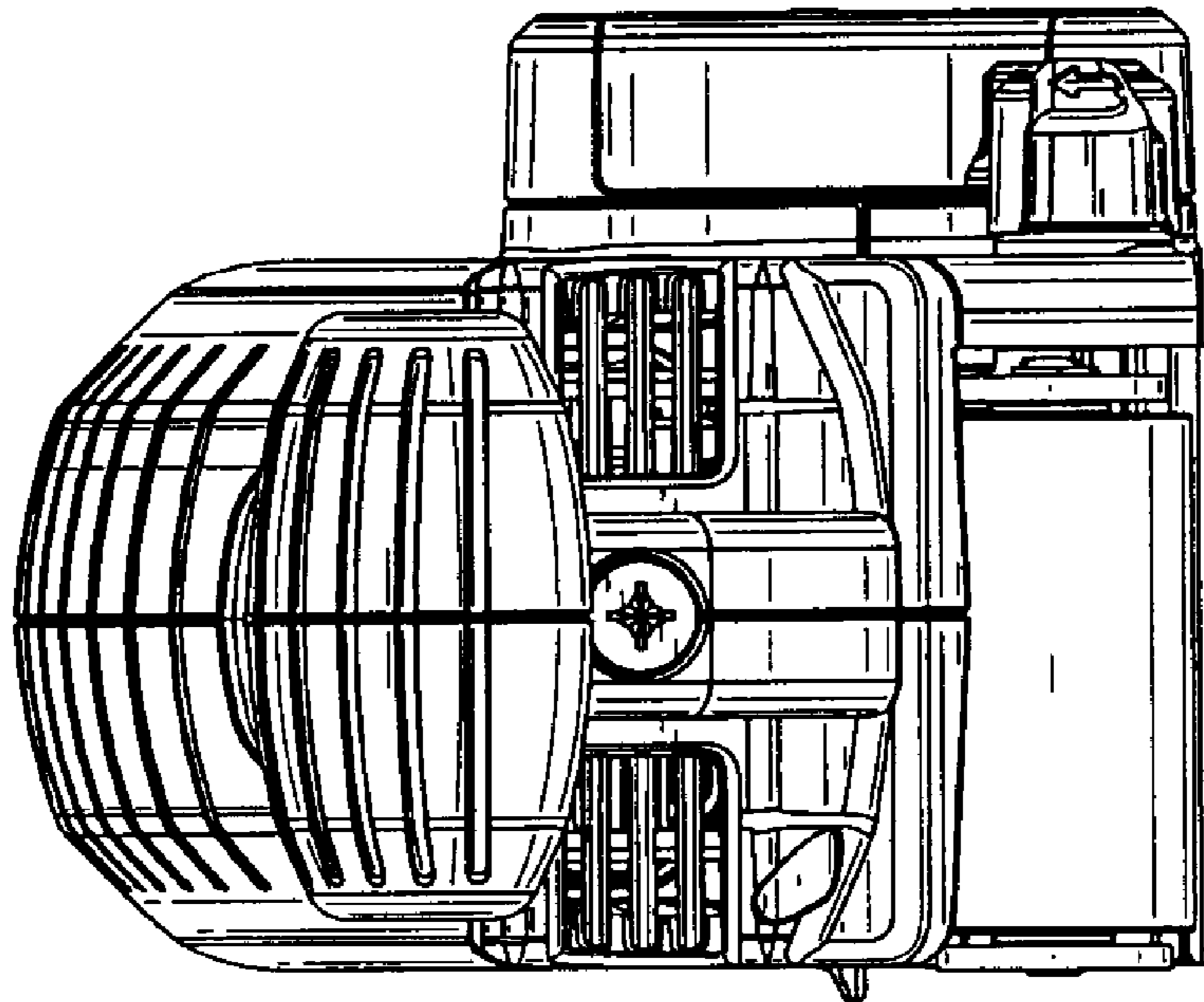


FIG. 3

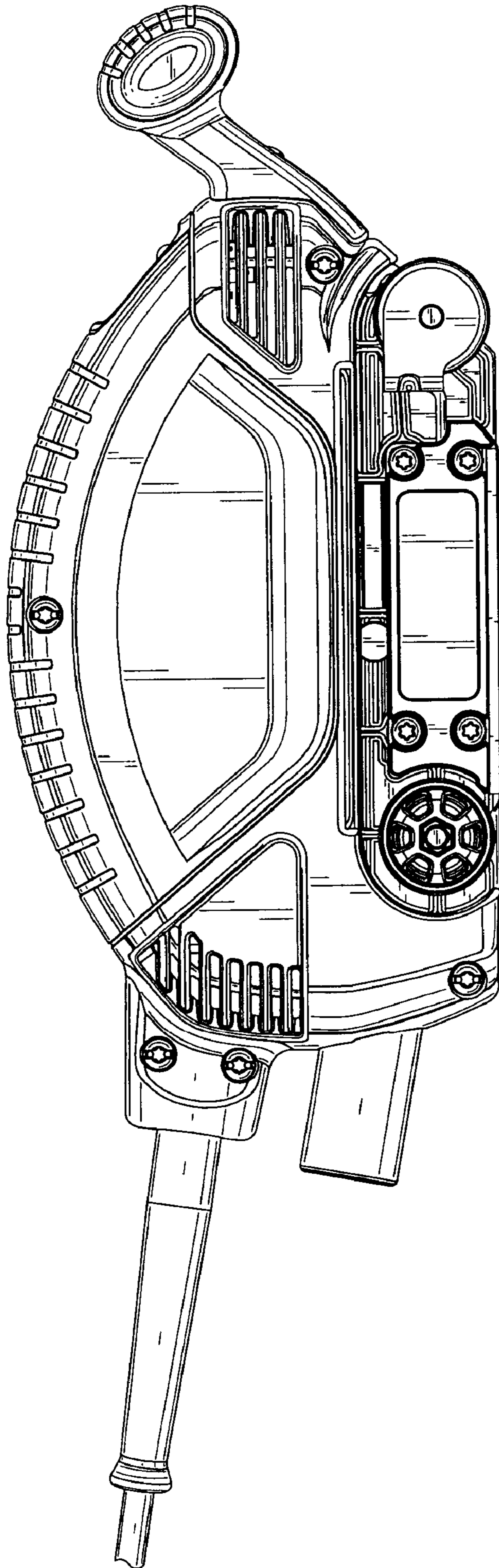


FIG. 5

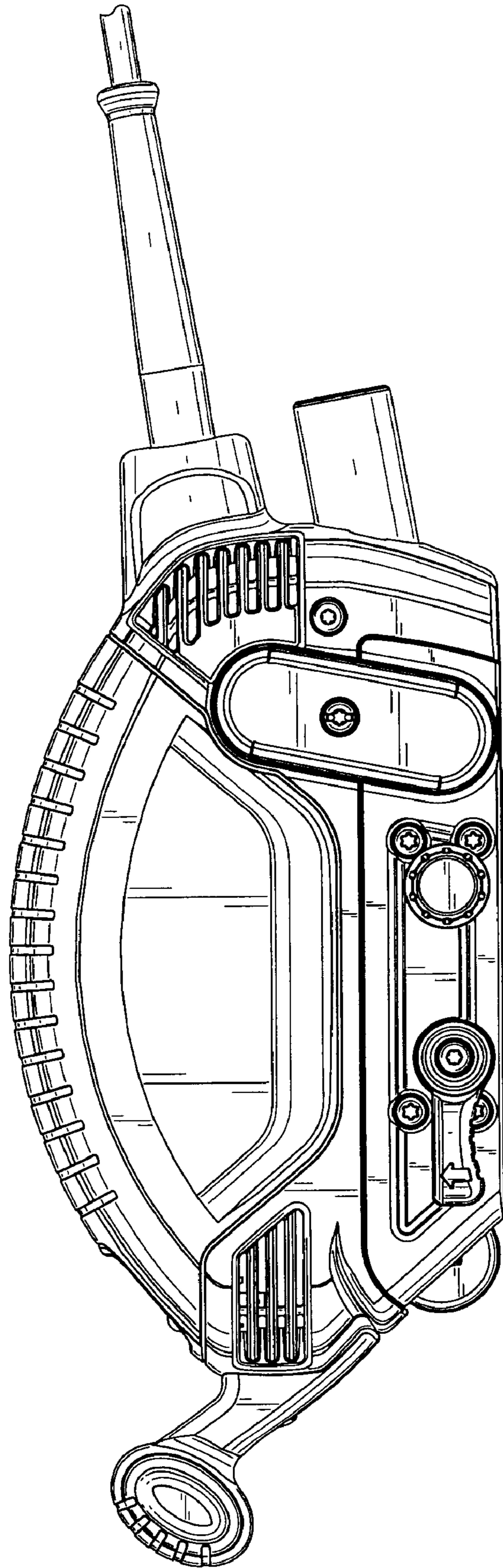


FIG. 6

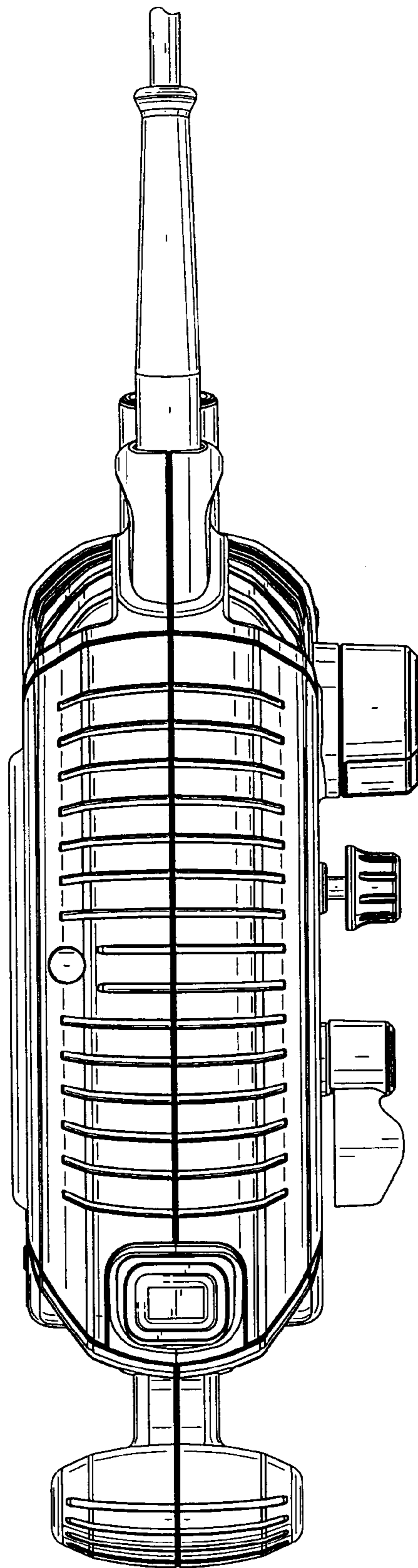


FIG. 7

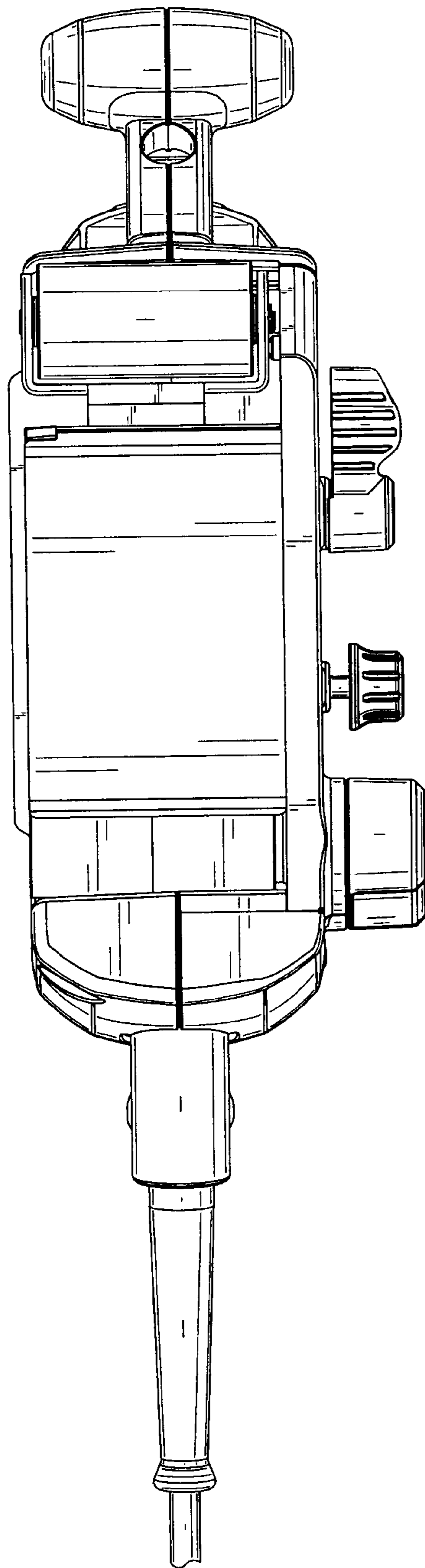


FIG. 8