

US00D529770S

(12) **United States Design Patent**
Elson

(10) **Patent No.:** **US D529,770 S**

(45) **Date of Patent:** **** Oct. 10, 2006**

(54) **GRILL**

(76) Inventor: **Jeff Elson**, 242-25A Oak Park Dr.,
Douglaston, NY (US) 11362

(**) Term: **14 Years**

(21) Appl. No.: **29/224,943**

(22) Filed: **Mar. 9, 2005**

(51) **LOC (8) Cl.** **07-02**

(52) **U.S. Cl.** **D7/688**

(58) **Field of Classification Search** D7/332-338,
D7/339, 347-348, 402-405, 688; 99/339-340,
99/420, 421 A, 421 H, 421 M, 422, 423,
99/427, 443 C, 441, 443 R, 445, 447-448,
99/482, 450; 126/4, 9 R, 25 B, 25 A, 25 AA,
126/37 R, 37 B, 40, 41 R, 50

See application file for complete search history.

(56) **References Cited**

U.S. PATENT DOCUMENTS

2,285,271	A	*	6/1942	Hafner et al.	99/441
D182,273	S	*	3/1958	Connolly	D7/338
2,966,841	A	*	1/1961	Jigamian	99/441
3,326,119	A	*	6/1967	Smith	99/428
4,982,657	A	*	1/1991	Ghenic	99/421 A

5,117,748	A	*	6/1992	Costa	99/441
D329,966	S	*	10/1992	Neie	D7/683
D377,888	S	*	2/1997	Griffin	D7/683
D403,919	S	*	1/1999	Battioli	D7/402
D409,047	S	*	5/1999	Battioli	D7/402
6,196,121	B1	*	3/2001	Crowl	99/421 A
6,474,224	B1	*	11/2002	Natter	99/421 A
D515,864	S	*	2/2006	Elnekaveh	D7/338
2005/0061161	A1	*	3/2005	Hunot et al.	99/441

* cited by examiner

Primary Examiner—Ruth McInroy

(74) *Attorney, Agent, or Firm*—Myron Amer P.C.

(57) **CLAIM**

The ornamental design for a grill, as shown and described.

DESCRIPTION

FIG. 1 is a front perspective view of a grill showing my new design;

FIG. 2 is a plan view thereof;

FIG. 3 is a bottom view thereof;

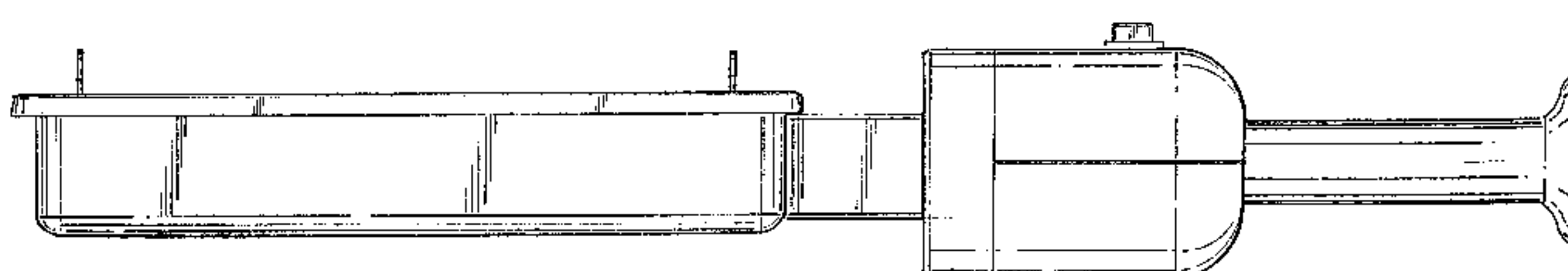
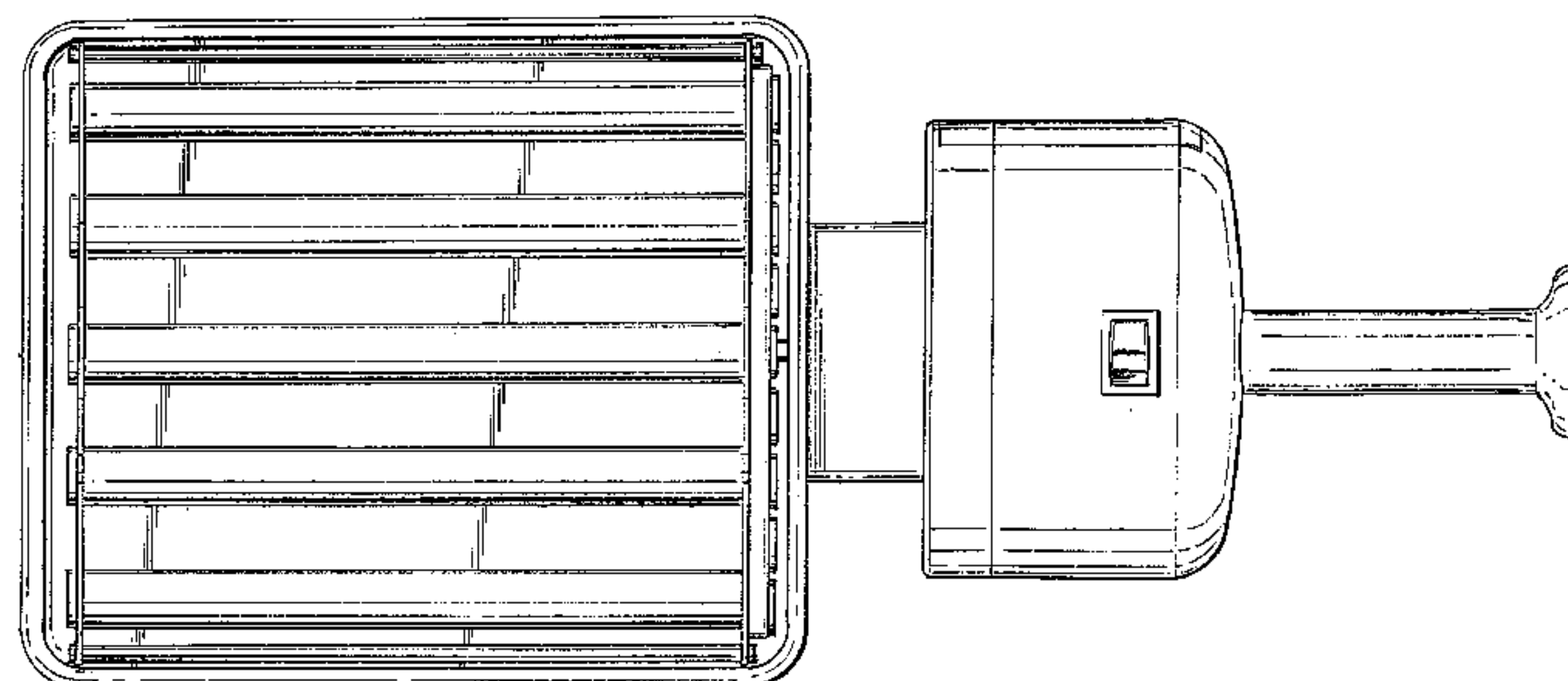
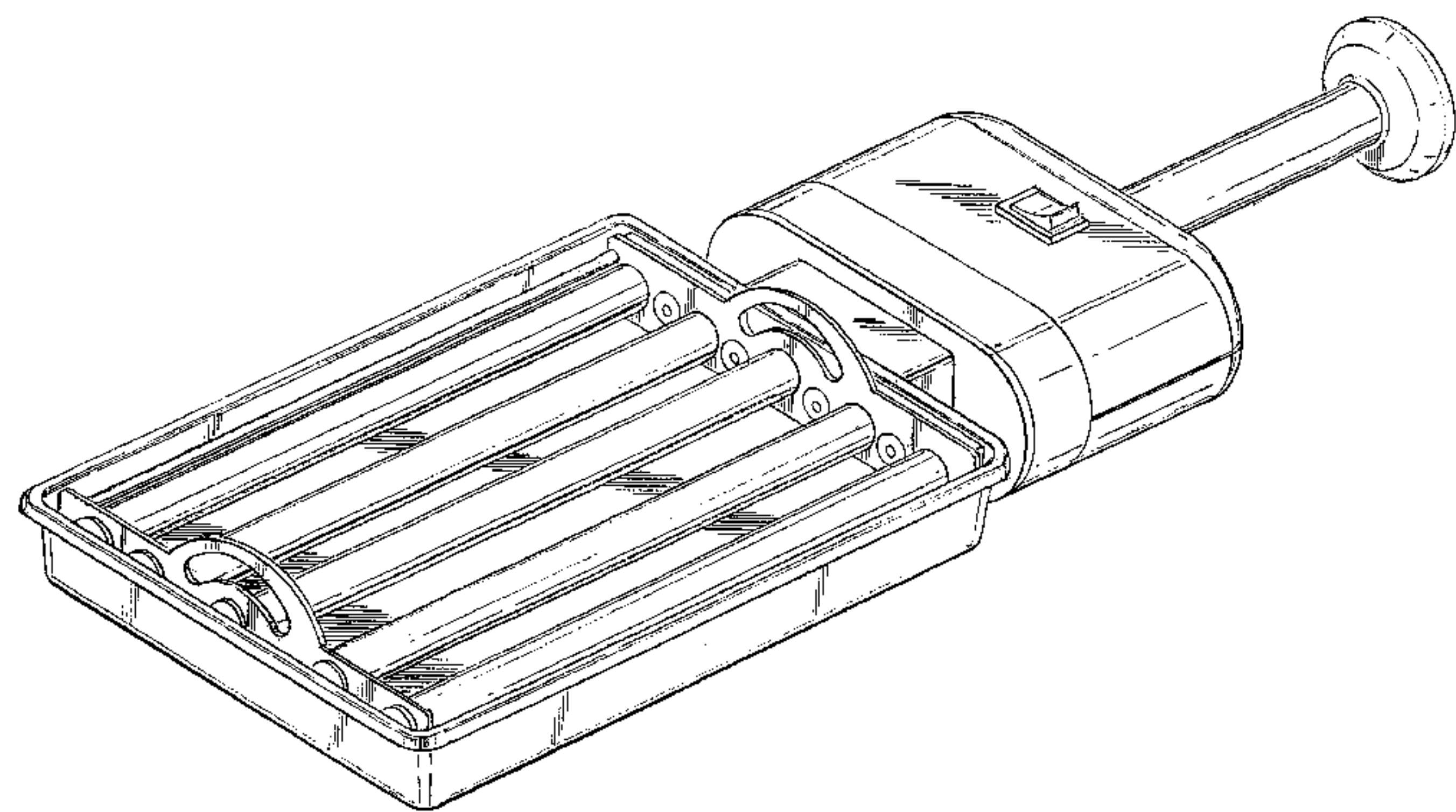
FIG. 4 is a left side elevational view thereof;

FIG. 5 is a right side elevational view thereof;

FIG. 6 is a front elevational view thereof; and,

FIG. 7 is a rear elevational view thereof.

1 Claim, 5 Drawing Sheets



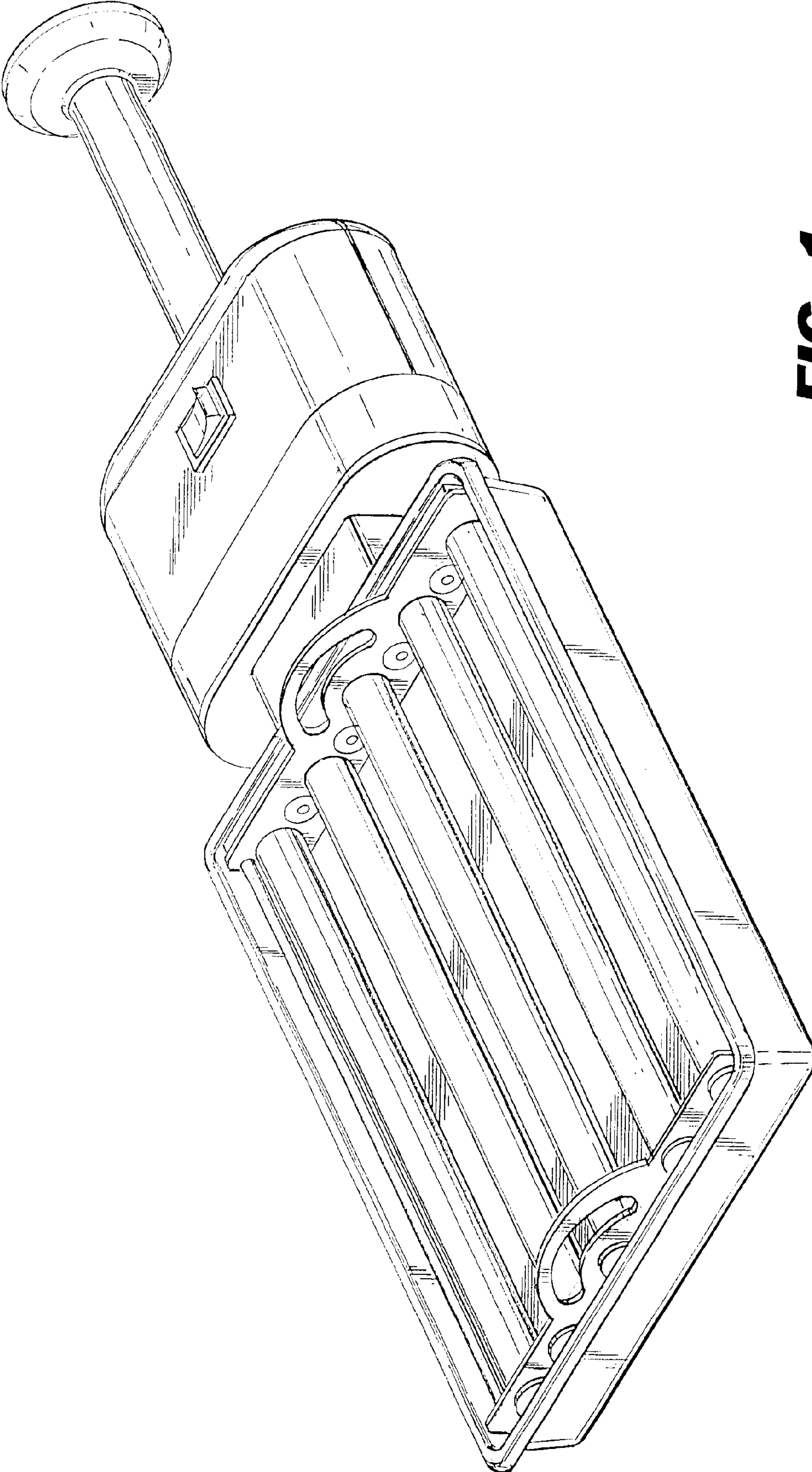


FIG. 1

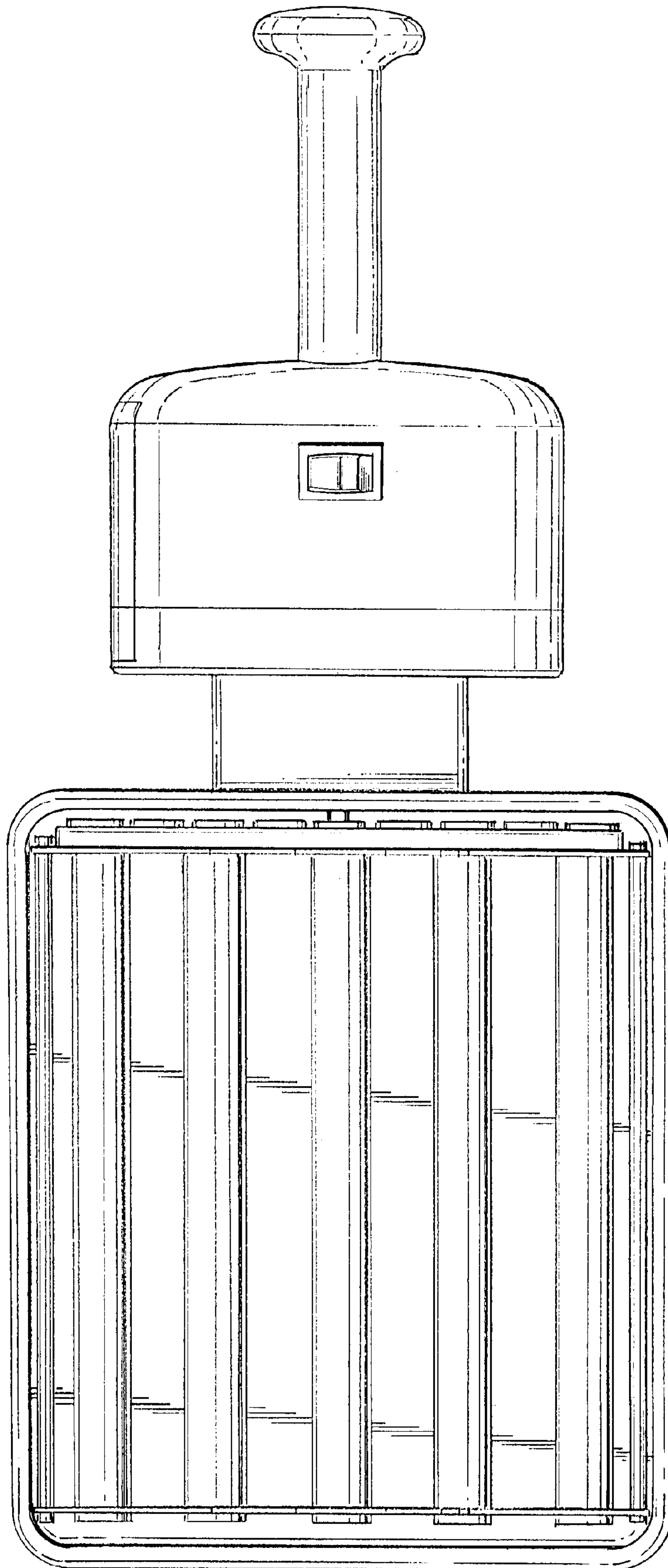


FIG. 2

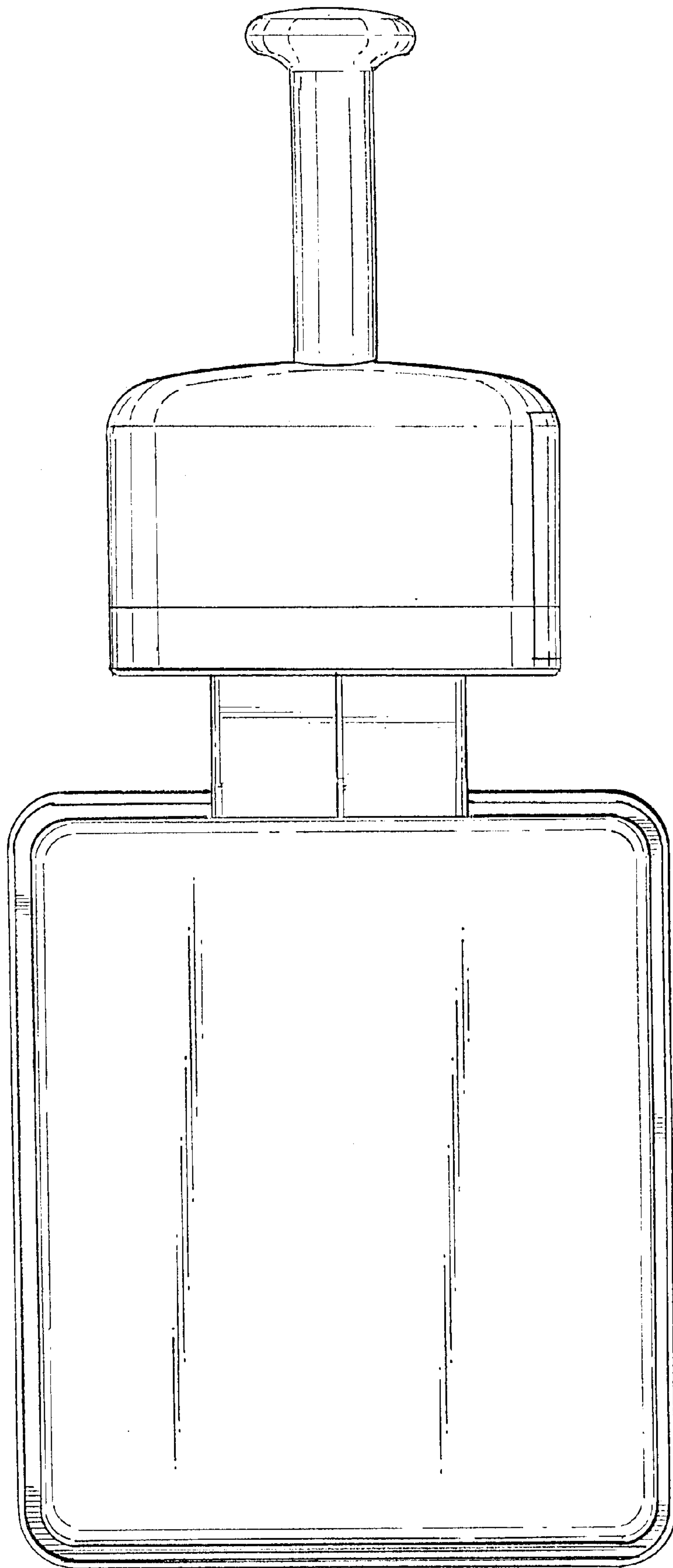


FIG. 3

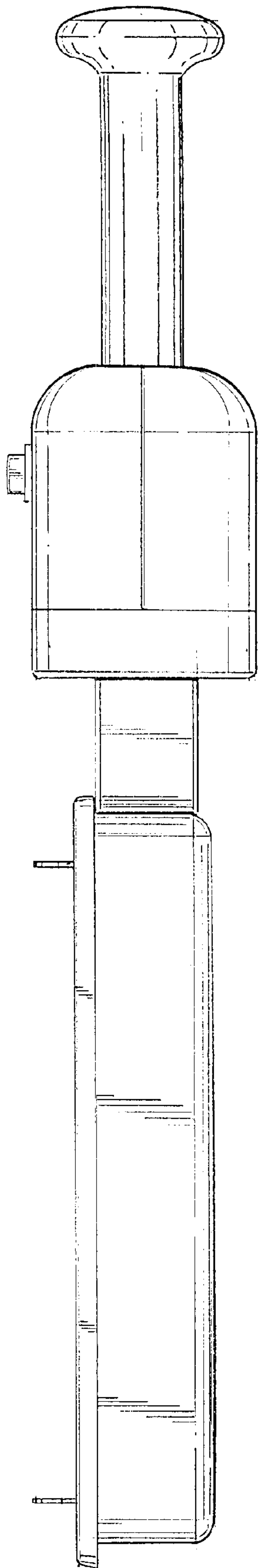


FIG. 4

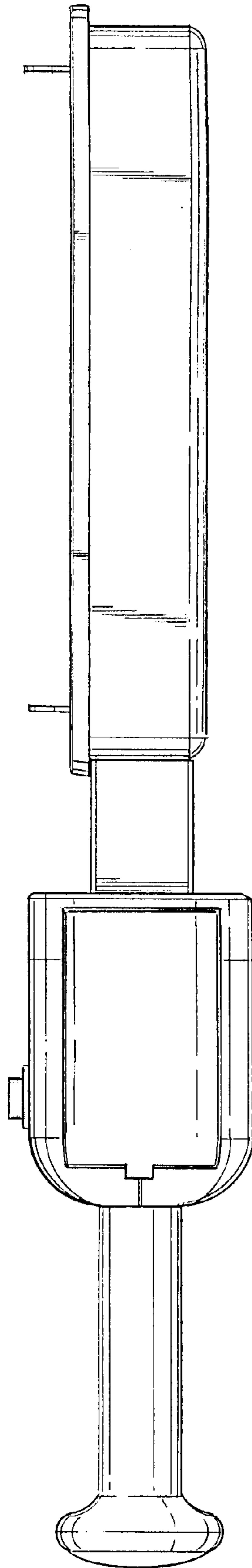


FIG. 5

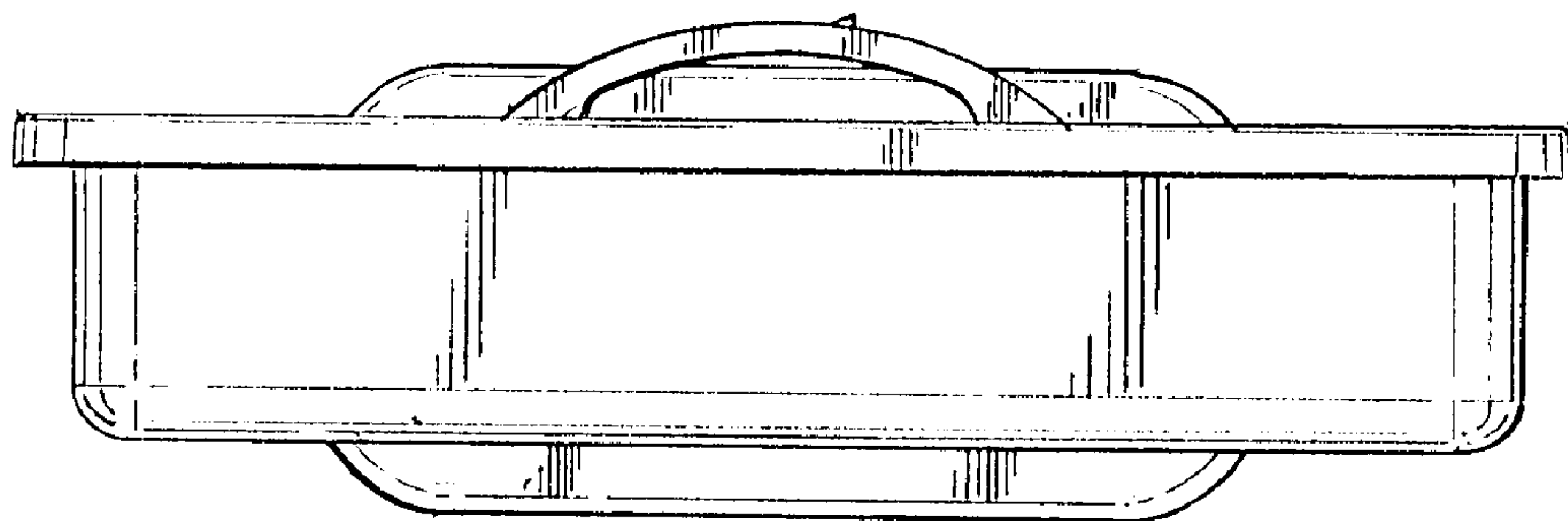


FIG. 6

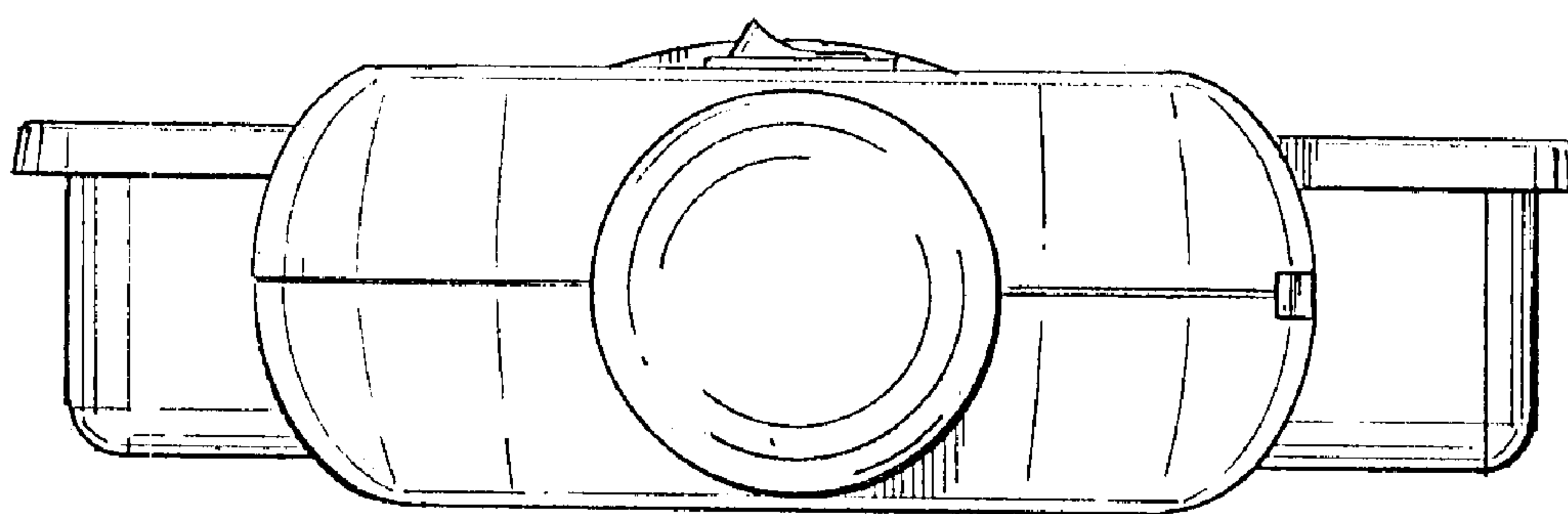


FIG. 7