



US00D529768S

(12) **United States Design Patent**
de Groote

(10) **Patent No.:** **US D529,768 S**

(45) **Date of Patent:** **** Oct. 10, 2006**

(54) **GRATER/SLICER**

(75) Inventor: **Jan-Hendrik de Groote**, Brussels (BE)

(73) Assignee: **Dart Industries Inc.**, Orlando, FL (US)

(**) Term: **14 Years**

(21) Appl. No.: **29/210,293**

(22) Filed: **Jul. 29, 2004**

(51) **LOC (8) Cl.** **07-04**

(52) **U.S. Cl.** **D7/673**

(58) **Field of Classification Search** D7/672-678,
D7/381-385; 241/95, 100, 168, 169.1, 169,
241/274, 285.2, 273.1-273.4; 30/279.6; 83/669,
83/856, 857, 167

See application file for complete search history.

(56) **References Cited**

U.S. PATENT DOCUMENTS

4,546,928 A * 10/1985 Suzuki 241/95
D303,476 S 9/1989 Wolff et al.

D307,532 S 5/1990 Cautereels et al.
6,082,645 A * 7/2000 Himmighofen et al. 241/168
6,148,704 A * 11/2000 Lewis 83/167
D447,019 S * 8/2001 Wong D7/673

* cited by examiner

Primary Examiner—Terry A. Wallace

(74) *Attorney, Agent, or Firm*—John A. Doninger

(57) **CLAIM**

The ornamental design for a grater/slicer, as shown and described.

DESCRIPTION

FIG. 1 is a top, side and front perspective view of a grater/slicer showing the new design;
FIG. 2 is a front elevation view thereof, the rear elevation being a mirror image thereof;
FIG. 3 is a right side elevation view thereof;
FIG. 4 is a left side elevation view thereof;
FIG. 5 is a top plan elevation view thereof; and,
FIG. 6 is a bottom plan view thereof.

1 Claim, 4 Drawing Sheets

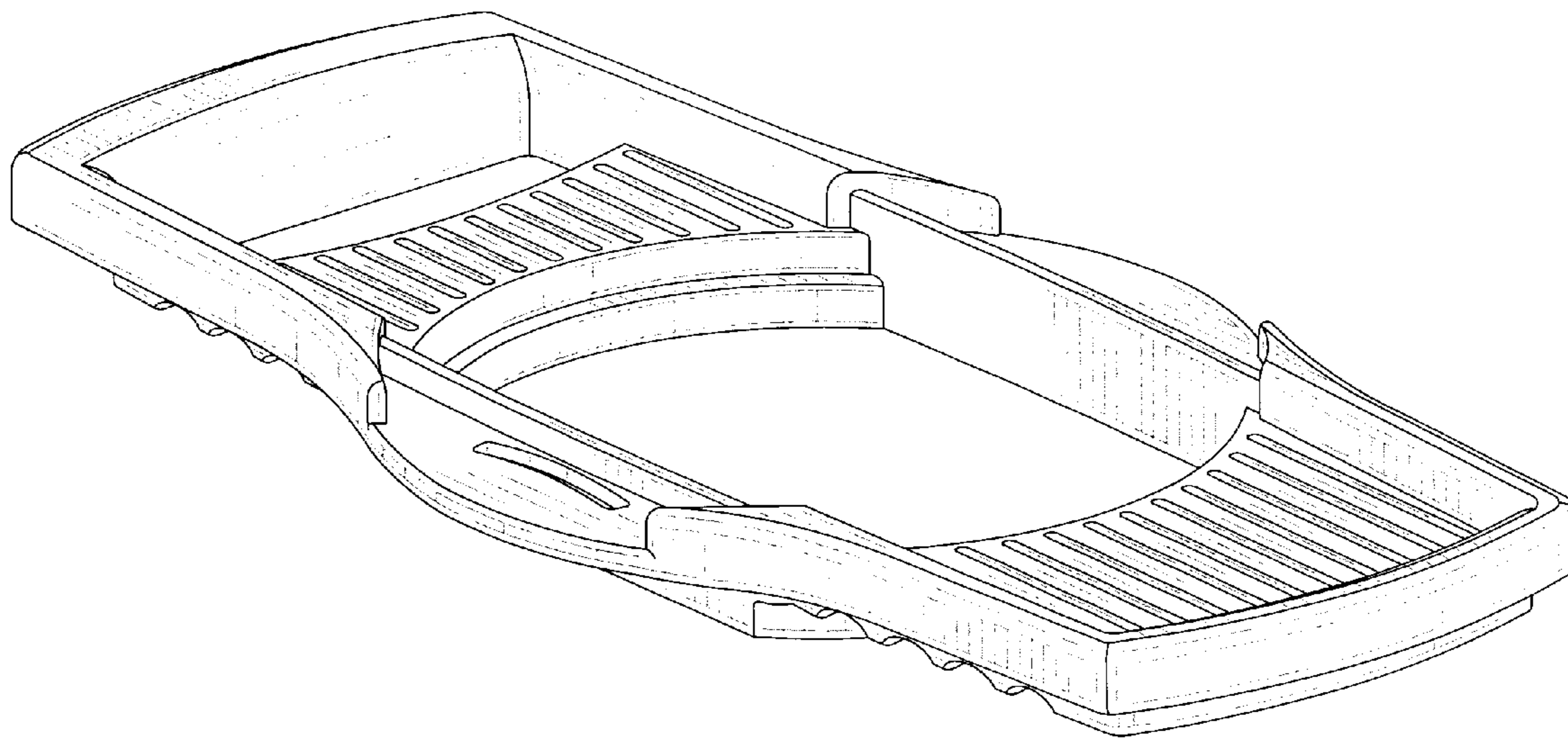


FIG. 1

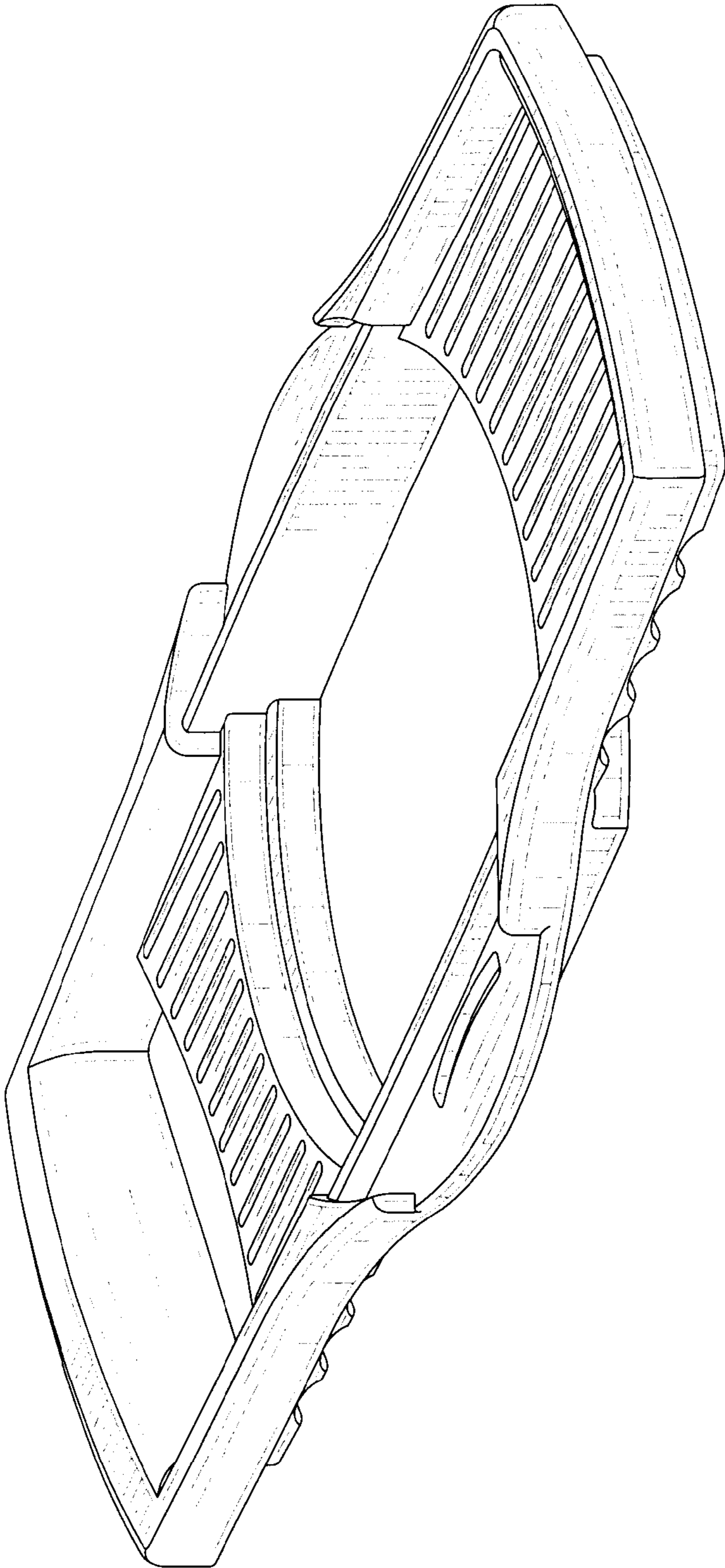
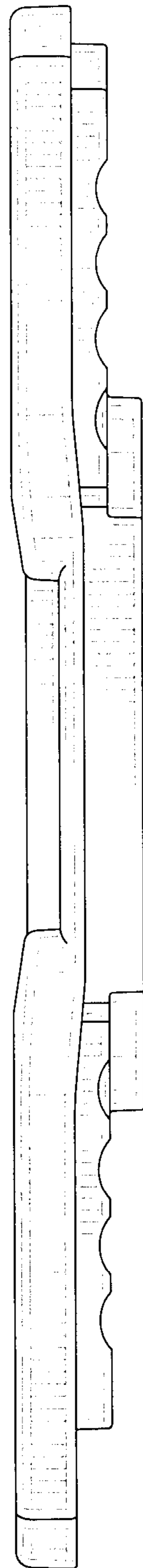


FIG. 2



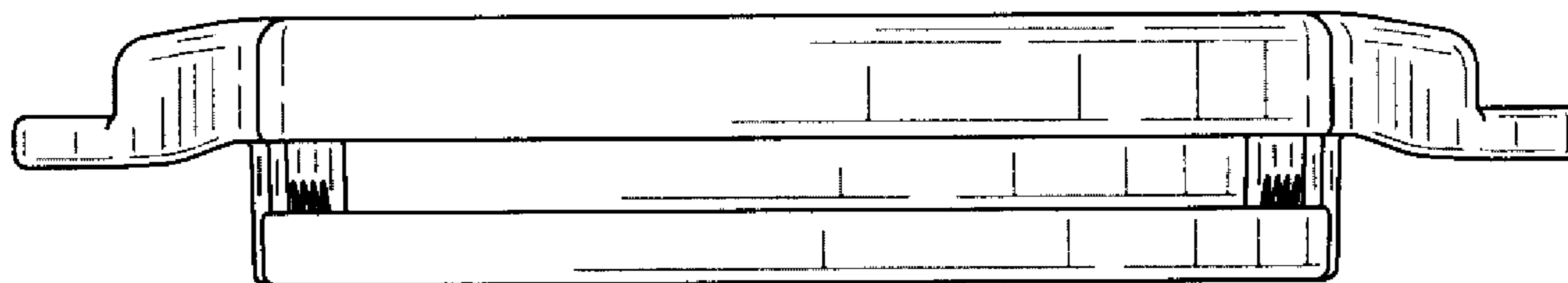


FIG. 3

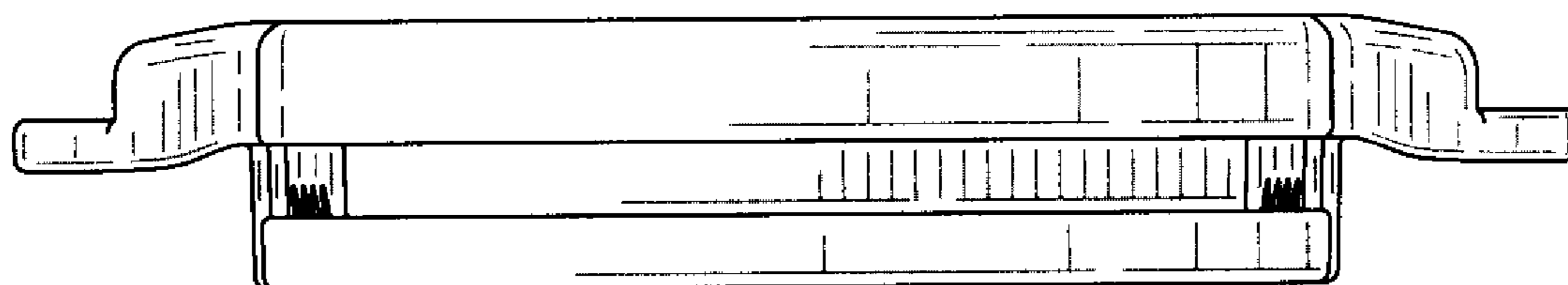


FIG. 4

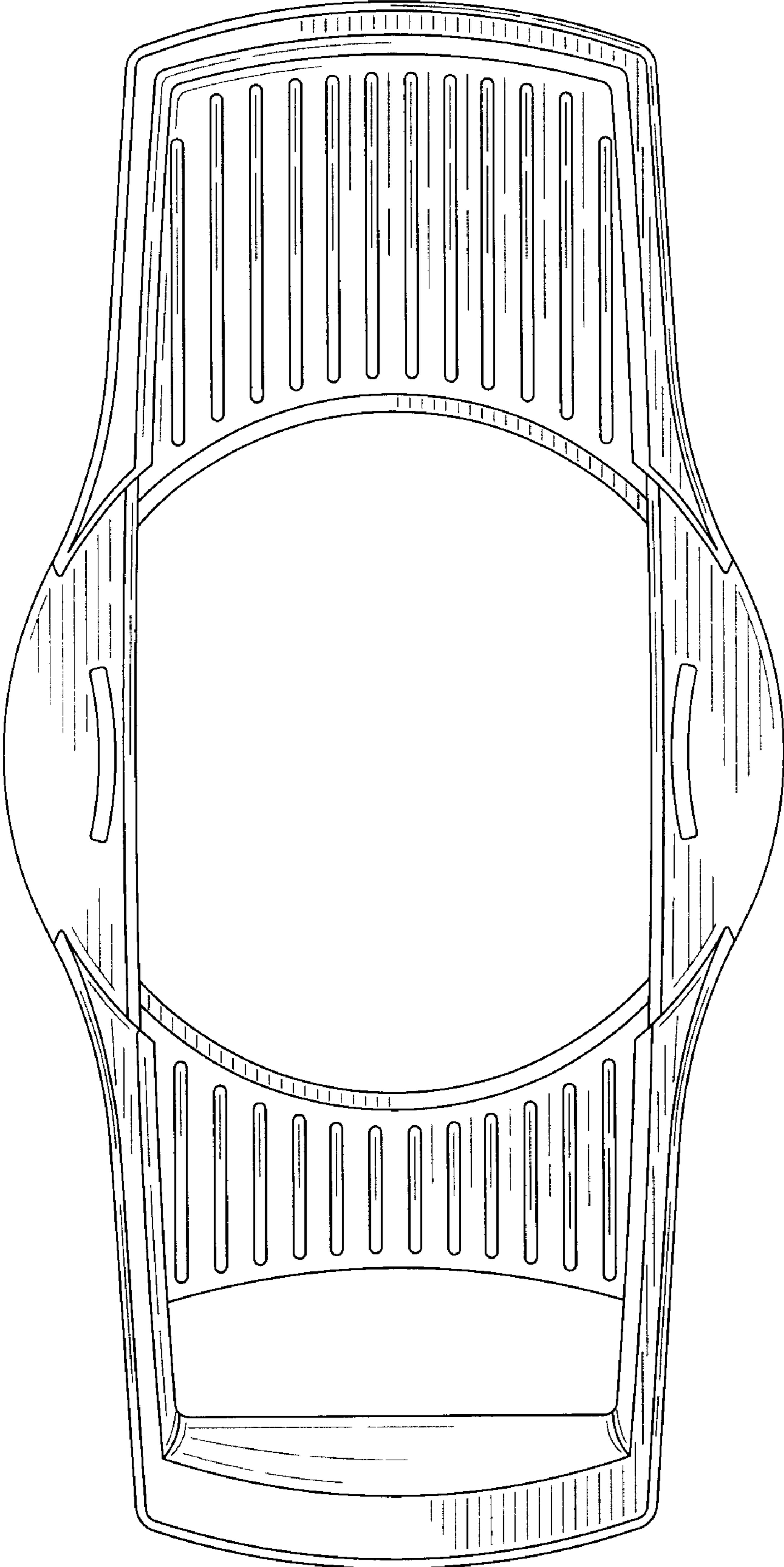


FIG. 5

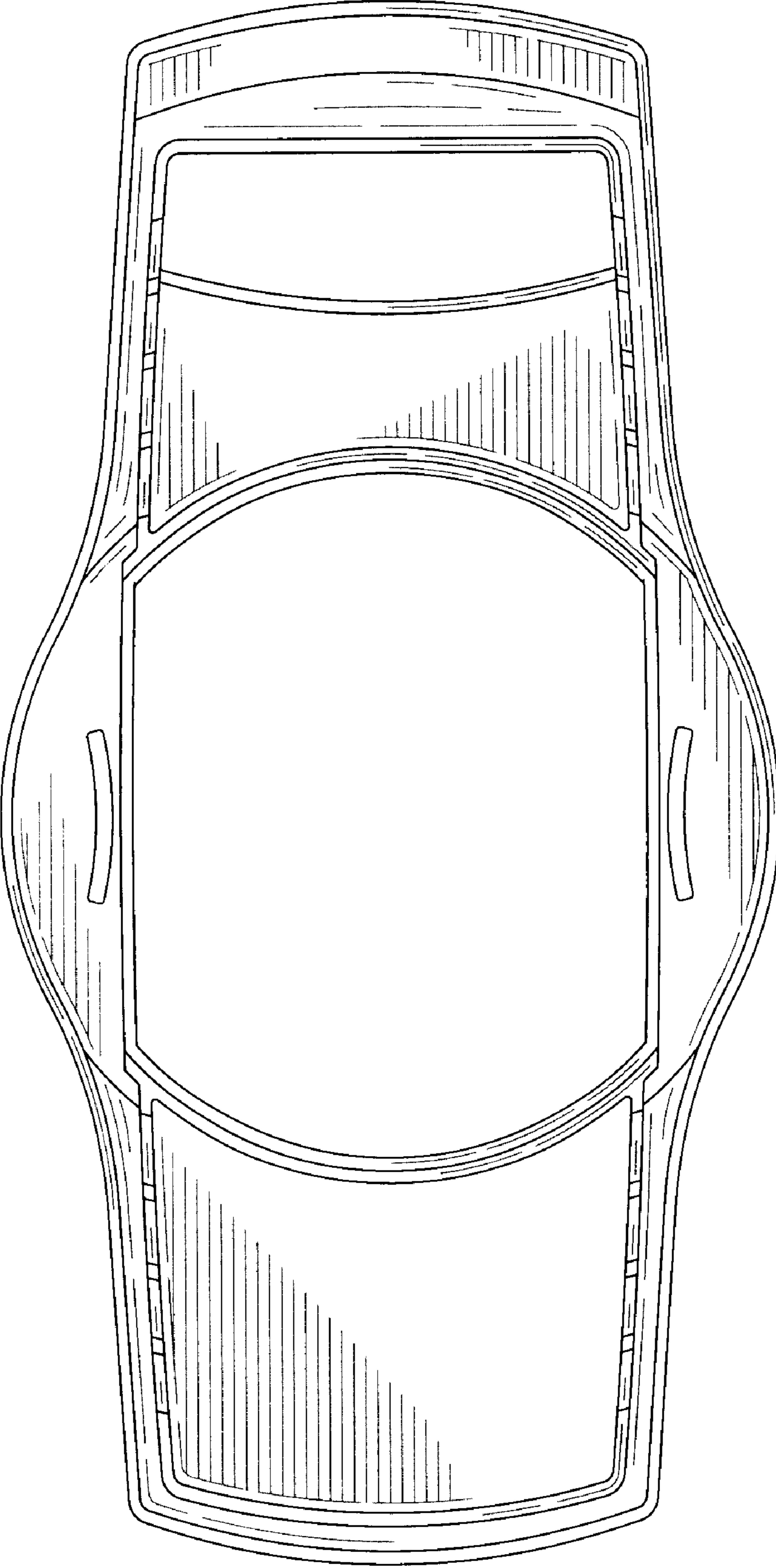


FIG. 6