

US00D529758S

(12) **United States Design Patent** (10) **Patent No.:** **US D529,758 S**
Beesley et al. (45) **Date of Patent:** **** Oct. 10, 2006**

(54) **PERSONAL SIZED BLENDER** 3,088,345 A 5/1963 Campbell
 3,104,089 A 9/1963 Seltsam

(75) Inventors: **Brian K. Beesley**, Draper, UT (US);
Claude Brandt, Salt Lake City, UT
 (US)

(Continued)

FOREIGN PATENT DOCUMENTS

(73) Assignee: **Back To Basics Products, Inc.**,
 Bluffdale, UT (US)

EP 1475024 11/2004
 GB 764361 A 12/1956
 JP 2004 113278 4/2004
 JP 2004 357752 12/2004
 WO WO2004/080252 9/2004

(**) **Term:** **14 Years**

(21) **Appl. No.:** **29/232,200**

OTHER PUBLICATIONS

(22) **Filed:** **Jun. 14, 2005**

(51) **LOC (8) Cl.** **31-00**

(52) **U.S. Cl.** **D7/378**

(58) **Field of Classification Search** D7/306,
 D7/309, 311, 376–386, 412, 413, 415, 509,
 D7/523, 529, 530; 99/348, 509–511; 241/30,
 241/33, 37.5, 101.01, 101.1, 101.2, 282.2,
 241/285.1, 285.2, 301; 366/64, 65, 129, 197–214,
 366/219, 241–254, 314, 341, 349

See application file for complete search history.

Frontgate—Outfitting America’s Finest Homes, Early Spring 2004 Catalog, Item #13861 Artrezi Blender.*
 Frontgate—Outfitting America’s Finest Homes, Fall 2002 Catalog, T-Fal, Item #16513 Chrome 40 Oz. Blender.*
 Owner’s Manual & Recipe Book, Automatic Hot Milk Frother, Froth Aulait Models FAL–W & FAL–B (dated May 2001).
 Operating Instructions for the Mr. Coffee Cocomotion Hot Chocolate Maker, pp. 1–16 (dated Jun. 2002).
 The Chef’s catalog, Fall 2002 p. 18 Smoothie pro 600.

Primary Examiner—Caron D. Veynar

Assistant Examiner—Ricky Pham

(74) *Attorney, Agent, or Firm*—Thorpe North & Western

(56) **References Cited**

U.S. PATENT DOCUMENTS

373,113 A 11/1887 Wagner
 374,706 A 12/1887 Rosenkranz
 1,412,536 A 4/1922 Mayer
 1,874,079 A 8/1932 Black
 2,012,637 A 8/1935 Ribley
 2,066,997 A 1/1937 Mueller
 2,070,545 A 2/1937 Gilbert
 2,282,866 A 5/1942 Hagen
 2,311,379 A 2/1943 Gillanders
 2,315,018 A 3/1943 Lawrence
 D156,635 S 12/1949 Law et al.
 2,559,196 A 7/1951 Medved
 2,785,547 A 3/1957 Barros
 D183,177 S 7/1958 Oertli
 2,851,258 A 9/1958 Siehrs
 2,945,634 A 7/1960 Beck et al.
 D189,904 S 3/1961 Seltsam
 3,013,775 A 12/1961 Bruntjen
 D194,389 S 1/1963 Bejamin

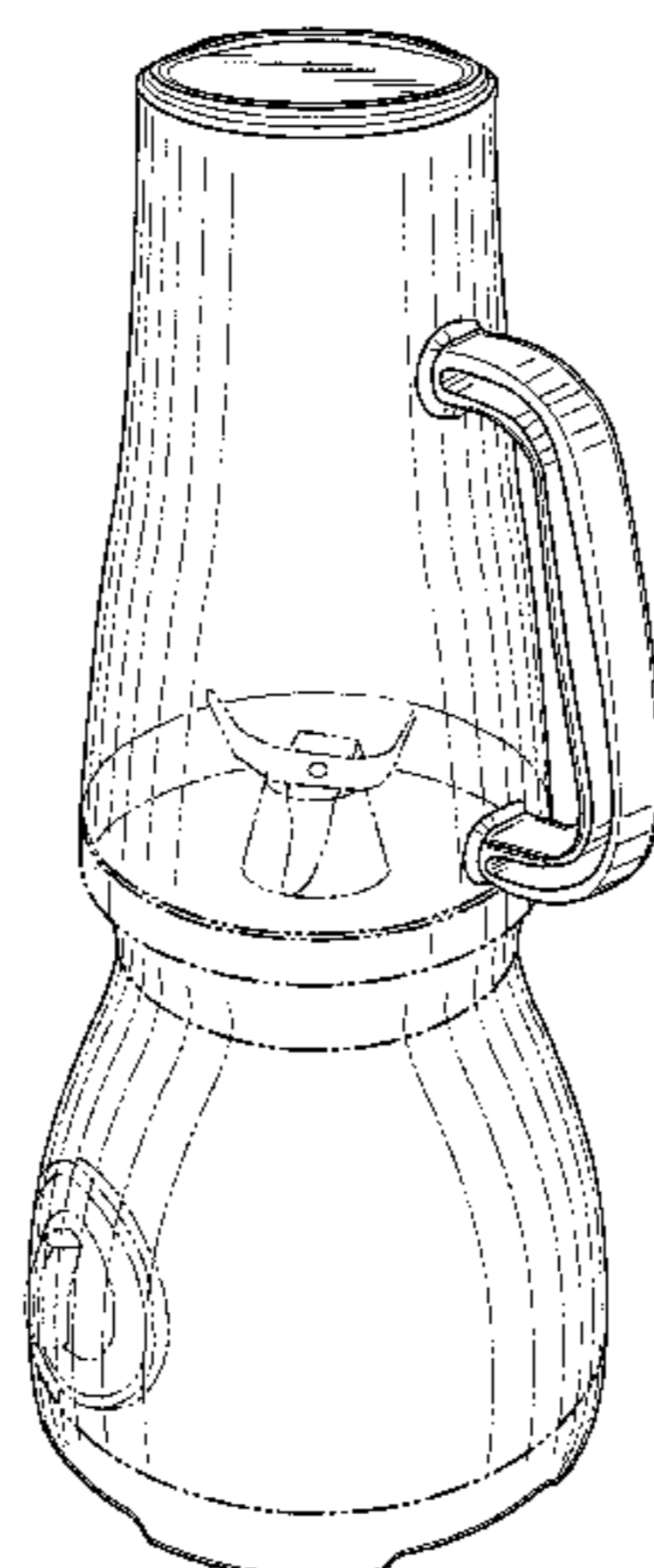
(57) **CLAIM**

The ornamental design for a personal sized blender, as shown and described.

DESCRIPTION

FIG. 1 is an elevated, perspective view of the personal sized blender in accordance with my invention;
 FIG. 2 is a front elevation view thereof;
 FIG. 3 is a back elevation view thereof;
 FIG. 4 is a right side elevational view thereof;
 FIG. 5 is a left side elevational view thereof;
 FIG. 6 is a top plan view thereof; and,
 FIG. 7 is a bottom plan view thereof.
 The broken lines shown in FIGS. 1–7 are for illustrative purposes only and form no part of the claimed design.

1 Claim, 6 Drawing Sheets



US D529,758 S

Page 2

U.S. PATENT DOCUMENTS

			5,518,312 A	5/1996	Inoue et al.		
3,107,711 A	10/1963	Azmus	D373,504 S	* 9/1996	Leverrier	D7/378	
D200,230 S	2/1965	Seltsam	5,567,049 A	* 10/1996	Beudet et al.	366/206	
D205,827 S	9/1966	Plagenberg	D378,400 S	3/1997	Kowalics		
3,315,947 A	4/1967	Nauta	D379,050 S	5/1997	Kohanski		
3,346,029 A	10/1967	Harris	5,636,923 A	6/1997	Nejat-Bina		
3,355,068 A	11/1967	Harland	5,662,032 A	9/1997	Baratta		
3,417,972 A	12/1968	Vincent	5,671,664 A	9/1997	Jacobson		
3,427,636 A	2/1969	Seifert	5,690,021 A	11/1997	Grey		
3,765,275 A	10/1973	Johnson	D394,986 S	* 6/1998	Lallemand	D7/378	
3,780,393 A	12/1973	Gaetke	5,758,963 A	6/1998	Xie et al.		
3,895,548 A	7/1975	Sauve	5,823,667 A	10/1998	Fukushima et al.		
3,920,224 A	11/1975	Fassauer	5,857,946 A	1/1999	Brown		
3,938,784 A	2/1976	Moreton	D412,262 S	7/1999	Roundtree		
4,030,707 A	6/1977	Moreton	6,065,188 A	5/2000	Wold et al.		
4,071,789 A	1/1978	Ernster et al.	6,065,861 A	5/2000	Chen		
4,116,366 A	9/1978	Takenakashima et al.	6,158,626 A	12/2000	Guerra et al.		
4,137,578 A	2/1979	Felici	D439,797 S	* 4/2001	Planca et al.	D7/378	
4,201,487 A	5/1980	Backhaus	6,283,625 B1	9/2001	Frankel et al.		
4,250,771 A	2/1981	Berler	D448,967 S	* 10/2001	Planca et al.	D7/378	
4,252,160 A	2/1981	Numbers	6,318,247 B1	11/2001	Di Nunzio et al.		
4,268,080 A	5/1981	Lindley	D453,443 S	* 2/2002	Hoare et al.	D7/378	
4,337,000 A	6/1982	Lehmann	D463,194 S	9/2002	Busick et al.		
4,357,861 A	11/1982	Di Girolamo	D465,127 S	* 11/2002	Lee	D7/378	
D268,841 S	5/1983	Adams	6,523,994 B1	2/2003	Lawson		
D269,471 S	6/1983	Auerbach	6,527,433 B1	3/2003	Daniels, Jr.		
4,395,792 A	8/1983	Cosner	D473,421 S	4/2003	Daniels, Jr.		
4,397,427 A	8/1983	Howard	D474,065 S	5/2003	Daniels, Jr.		
D271,368 S	11/1983	Belland et al.	D474,067 S	5/2003	Daniels, Jr.		
4,488,664 A	12/1984	Cleland	D474,643 S	5/2003	Daniels, Jr.		
4,501,538 A	2/1985	Bray et al.	6,609,821 B1	8/2003	Wulf et al.		
4,513,688 A	4/1985	Fassauer	6,637,681 B1	* 10/2003	Planca et al.	241/37.5	
4,537,332 A	8/1985	Brown et al.	D482,235 S	11/2003	Yui		
4,561,782 A	12/1985	Jacobsen et al.	6,652,137 B1	11/2003	Bosch et al.		
D295,138 S	4/1988	Hyde	D487,213 S	* 3/2004	Boyle et al.	D7/378	
4,824,369 A	4/1989	Levy	D493,331 S	7/2004	Munoz		
5,048,402 A	9/1991	Letournel et al.	6,817,750 B1	11/2004	Sands		
D337,234 S	7/1993	McGinnis	2001/0006486 A1	7/2001	Ofvcerberg		
5,302,021 A	4/1994	Jennett et al.	2002/0027175 A1	3/2002	Capp		
5,323,691 A	6/1994	Reese et al.	2002/0080678 A1	6/2002	Daniel, Jr.		
5,356,215 A	10/1994	Inoue et al.	2003/0099154 A1	5/2003	Daniels, Jr.		
D363,634 S	10/1995	Cohn	2005/0122837 A1	* 6/2005	Bravard et al.	366/199	
5,479,851 A	1/1996	McClean et al.					
D370,151 S	5/1996	McLinden et al.					

* cited by examiner

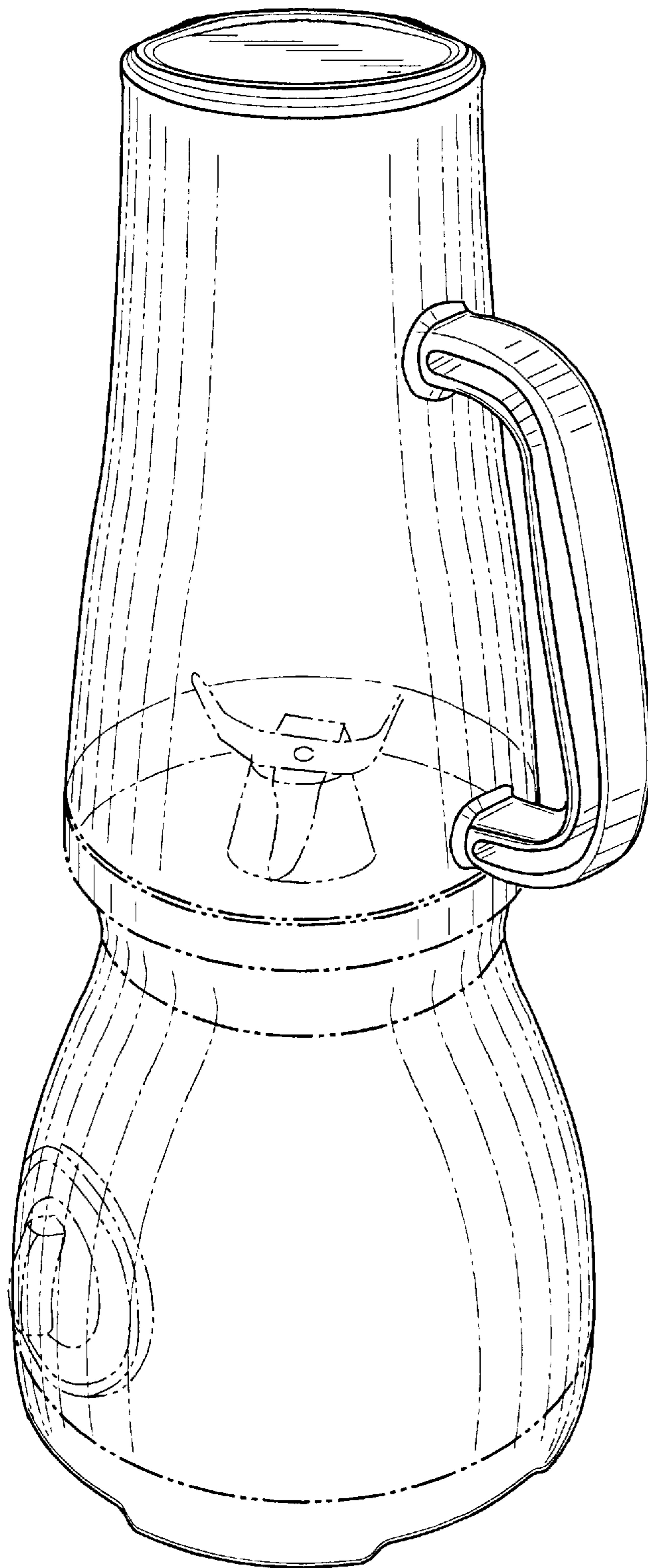


FIG. 1

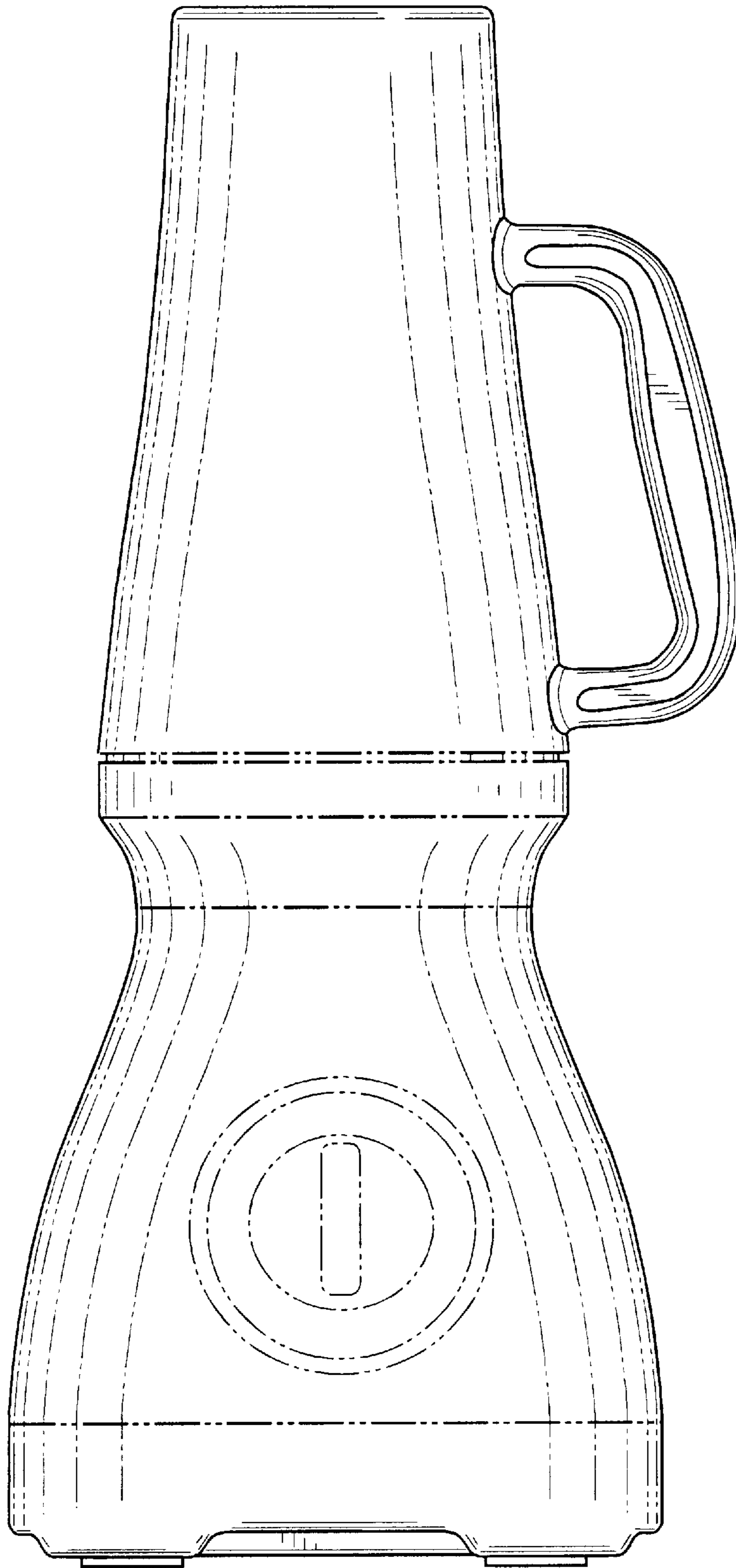


FIG. 2

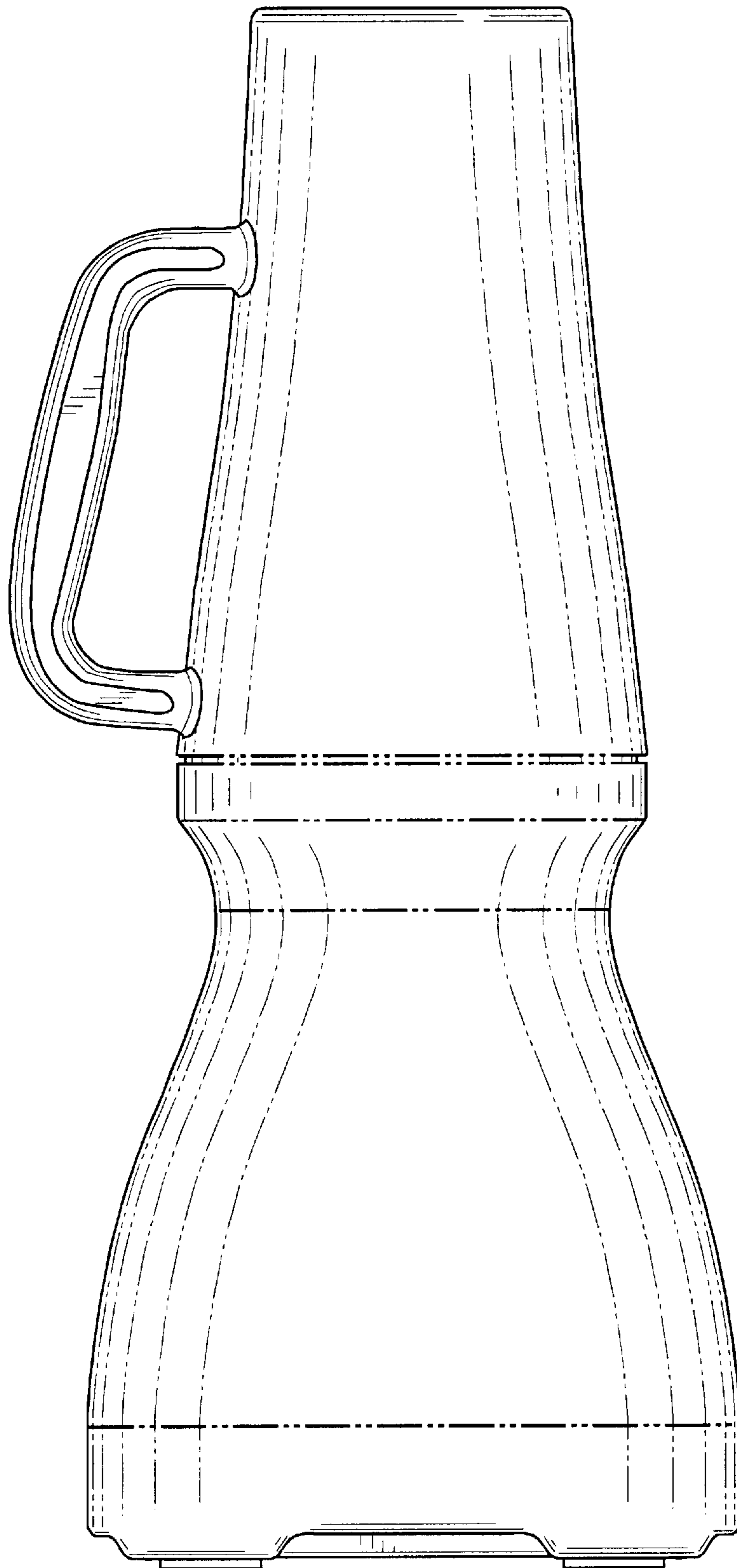


FIG. 3

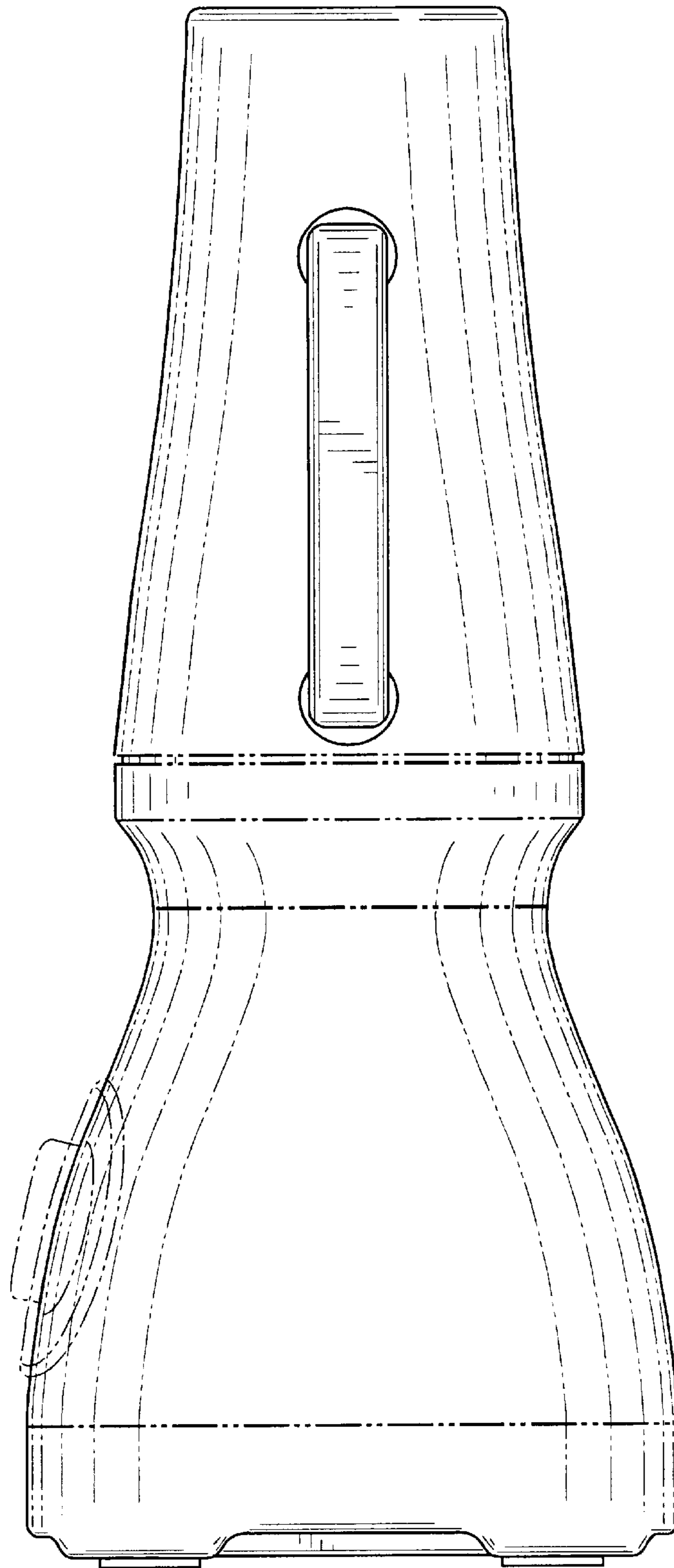


FIG. 4

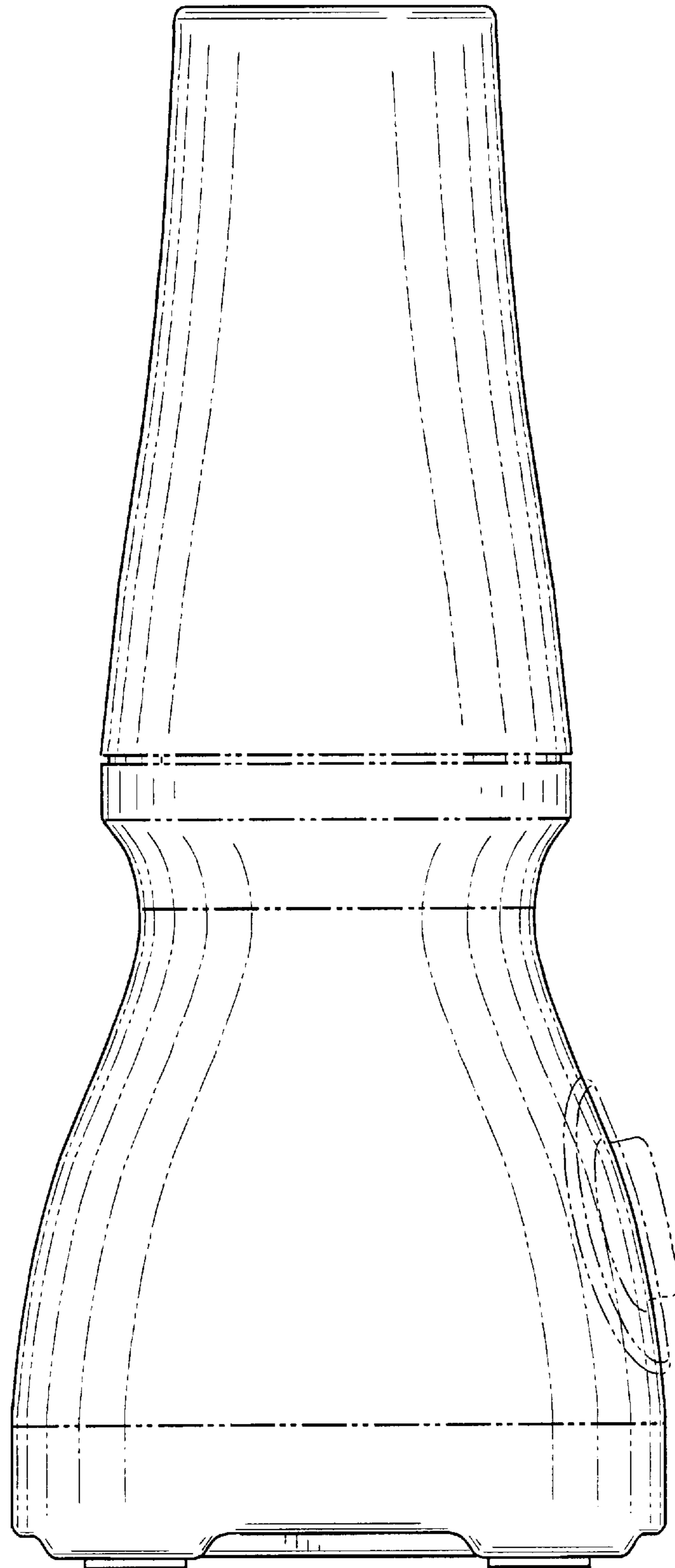


FIG. 5

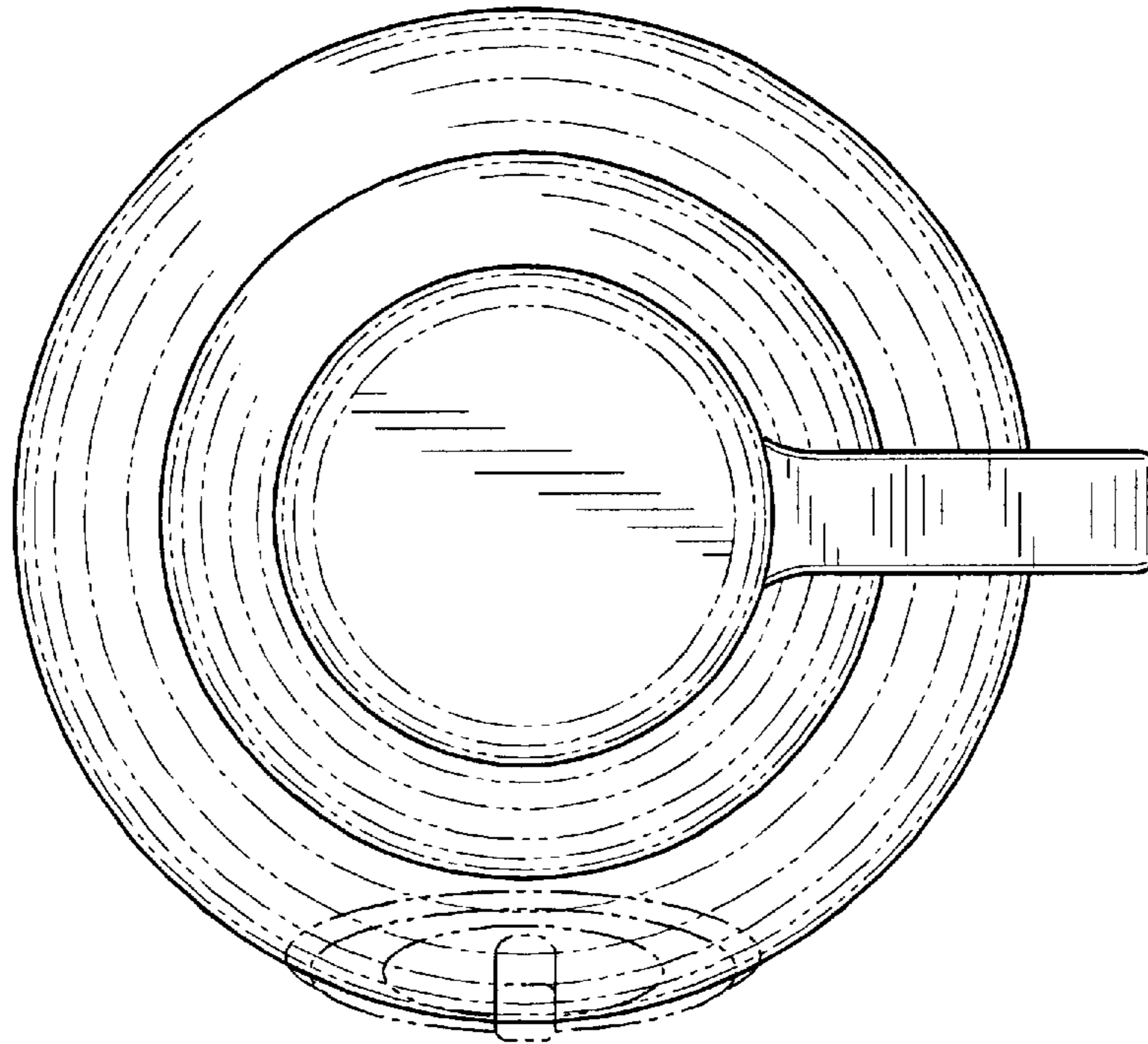


FIG. 6

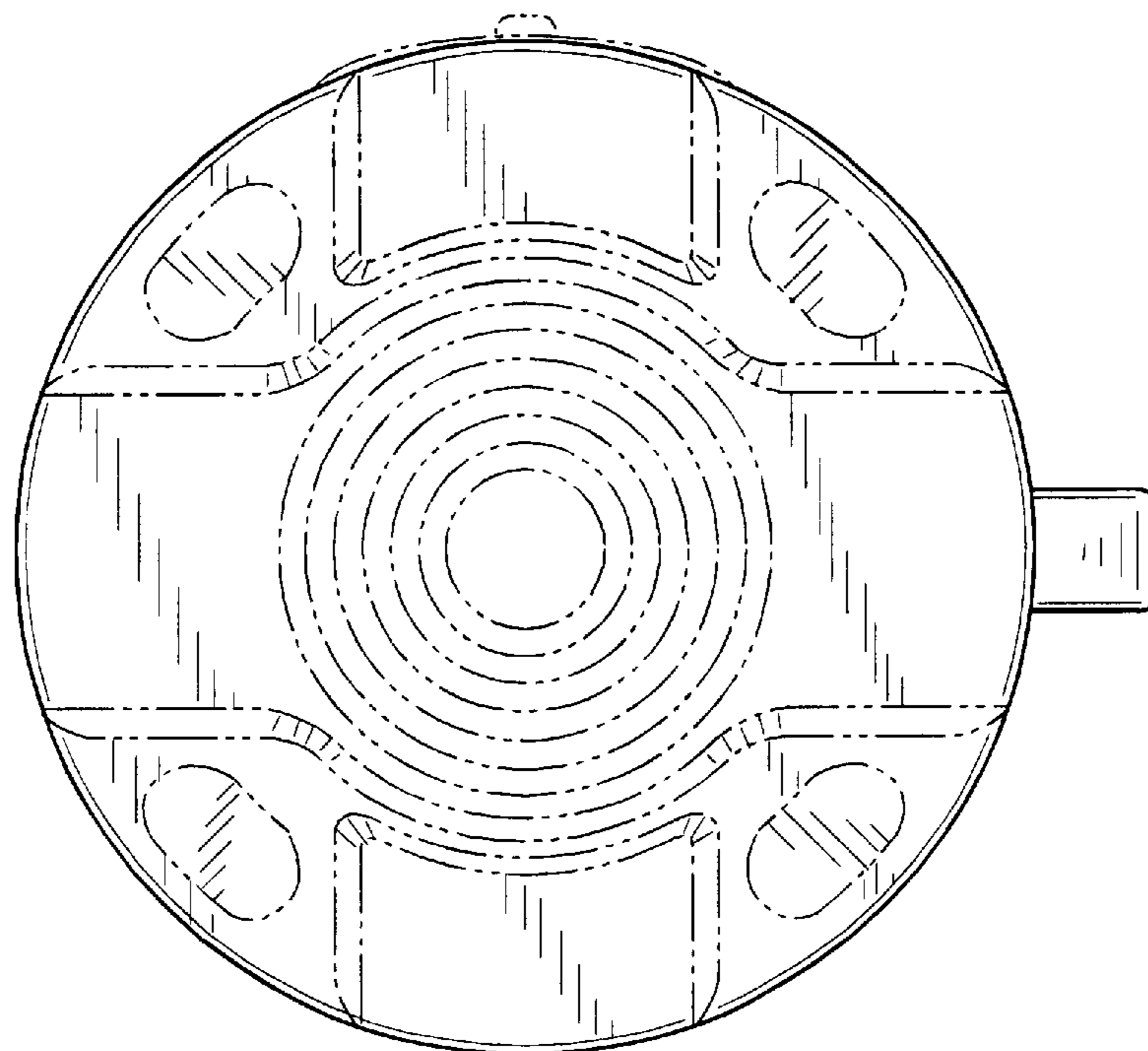


FIG. 7