



US00D529755S

(12) **United States Design Patent**
Lobman et al.

(10) **Patent No.:** **US D529,755 S**
(45) **Date of Patent:** **** Oct. 10, 2006**

(54) **STACKABLE AND NESTABLE RECEPTACLES**

(76) Inventors: **Matthew Lobman**, 26 Overlook Dr., Laurel Hollow, NY (US) 11791;
Richard Powers, 36 4th St., Hicksville, NY (US) 11801; **Wu Ping**, Houcang Section, Yinxian Avenue, Ningbo (CN)

(**) Term: **14 Years**

(21) Appl. No.: **29/205,372**

(22) Filed: **May 13, 2004**

(51) **LOC (8) Cl.** **07-02**

(52) **U.S. Cl.** **D7/356; D7/354**

(58) **Field of Classification Search** D7/354-361, D7/545, 554.3; D8/18, 34; D9/345, 415, D9/423-426, 434-435; 206/216, 427, 459.5, 206/508, 515, 518, 564, 592, 593; 220/4.21, 220/200, 212, 256, 309.1, 309.2, 380, 780-790, 220/801, 912; D3/314

See application file for complete search history.

(56) **References Cited**

U.S. PATENT DOCUMENTS

4,508,768	A	*	4/1985	Kornely et al.	206/518
D287,809	S	*	1/1987	Alexander	D7/359
D288,055	S	*	2/1987	Alexander	D7/354
4,660,734	A		4/1987	Henney et al.	
D291,526	S		8/1987	Henney et al.	
4,689,275	A		8/1987	Sandman	
D292,470	S	*	10/1987	Oh	D7/354
4,828,112	A		5/1989	Vollrath et al.	
4,967,908	A	*	11/1990	Kessler	206/518
5,035,327	A		7/1991	Denzin et al.	
5,048,714	A		9/1991	Stevens	
5,119,800	A		6/1992	Roberts et al.	
5,131,708	A		7/1992	Denzin	
D333,944	S		3/1993	Denzin et al.	
5,375,719	A		12/1994	Mittmann et al.	
D365,501	S	*	12/1995	Daugherty et al.	D7/360
5,474,184	A		12/1995	Mandler et al.	
D375,652	S	*	11/1996	Hayes	D7/354
5,676,276	A		10/1997	Zielinski et al.	

D415,656	S	*	10/1999	Henry	D7/545
D417,361	S		12/1999	Mittmann et al.	
D422,836	S		4/2000	Mittmann	
D427,482	S		7/2000	Mittmann	
D431,148	S		9/2000	Mittmann	
D432,866	S	*	10/2000	Harrison	D7/545
D435,390	S		12/2000	Mittmann	
D443,173	S		6/2001	Danielsen et al.	
D446,993	S		8/2001	Zank	

(Continued)

Primary Examiner—Caron D. Veynar

Assistant Examiner—Vy Nguyen

(74) *Attorney, Agent, or Firm*—Scully, Scott, Murphy & Presser

(57) **CLAIM**

The ornamental design for stackable and nestable receptacles, as shown and described.

DESCRIPTION

FIG. 1 illustrates a perspective view of a first embodiment of the stackable and nestable receptacles showing my new and ornamental design;

FIG. 2 illustrates a top plan view thereof;

FIG. 3 illustrates a bottom plan view thereof;

FIG. 4 illustrates a front view, the opposite end being a mirror-image thereof;

FIG. 5 illustrates an end view, the opposite end being a mirror-image thereof;

FIG. 6 illustrates, on an enlarged scale, a sectional view taken along line 6—6 in FIG. 2;

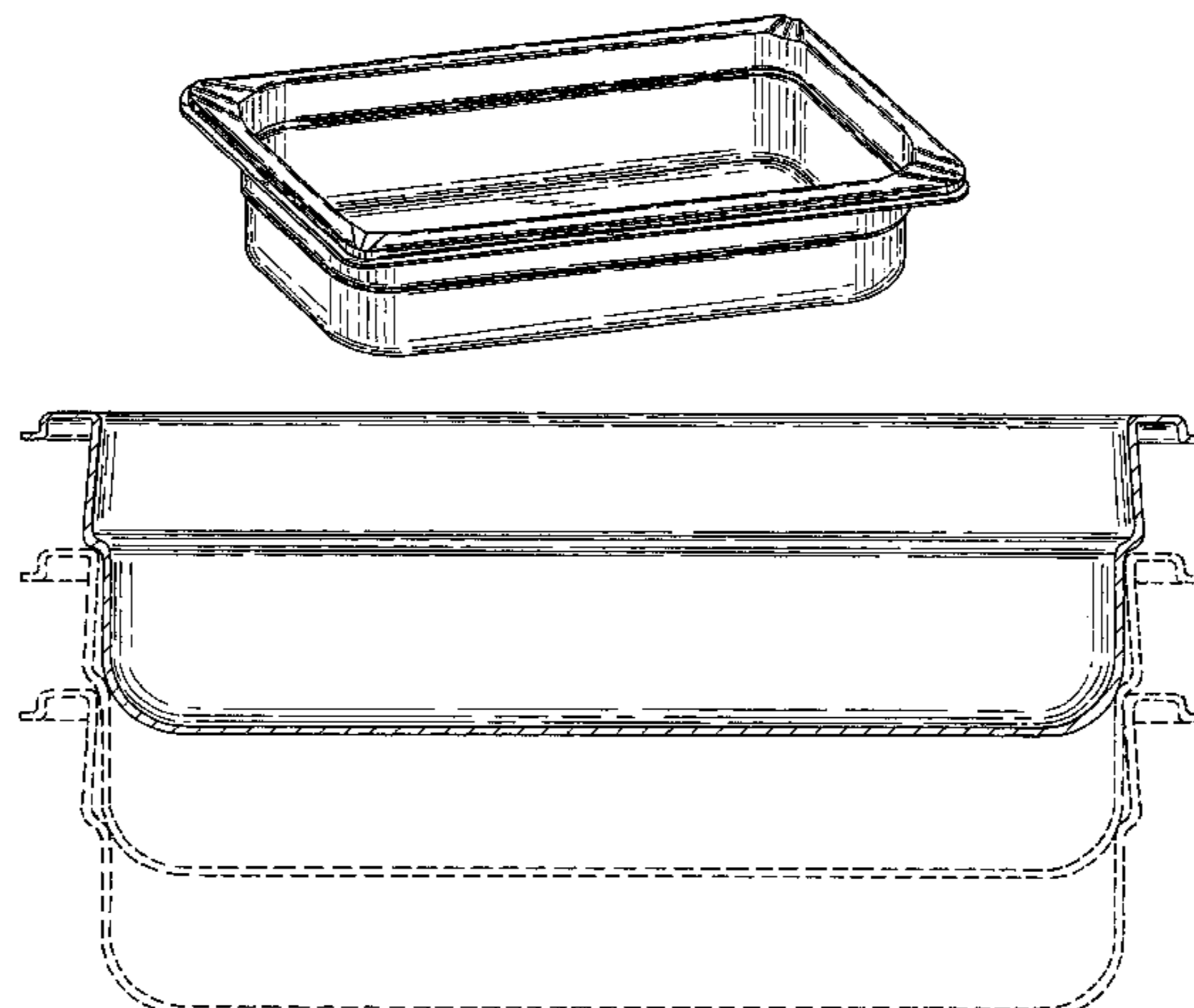
FIG. 7 illustrates a sectional view taken along line 7—7 in FIG. 6;

FIG. 8 illustrates a sectional view taken along line 8—8 in FIG. 2. The broken lines showing plural receptacles is for illustrative purposes only and form no part of the claimed design.

FIG. 9 illustrates a top plan view of another embodiment thereof; and,

FIG. 10 illustrates a side view, the opposite side being a mirror-image thereof.

1 Claim, 4 Drawing Sheets



US D529,755 S

Page 2

U.S. PATENT DOCUMENTS			
D446,994 S	8/2001	Zank	
D449,205 S	10/2001	Zank	
6,349,843 B1	2/2002	Mittmann et al.	
D454,751 S	3/2002	Zank	
6,415,945 B1	7/2002	Zank et al.	
D462,231 S	* 9/2002	Kari et al.	D7/354
D469,300 S	* 1/2003	Nakazawa	D7/354
6,557,720 B1	5/2003	Tosdale et al.	
6,568,534 B1	5/2003	Zank	
D489,226 S	* 5/2004	De Neubourg	D7/554.3
D495,920 S	* 9/2004	Isler et al.	D7/354

* cited by examiner

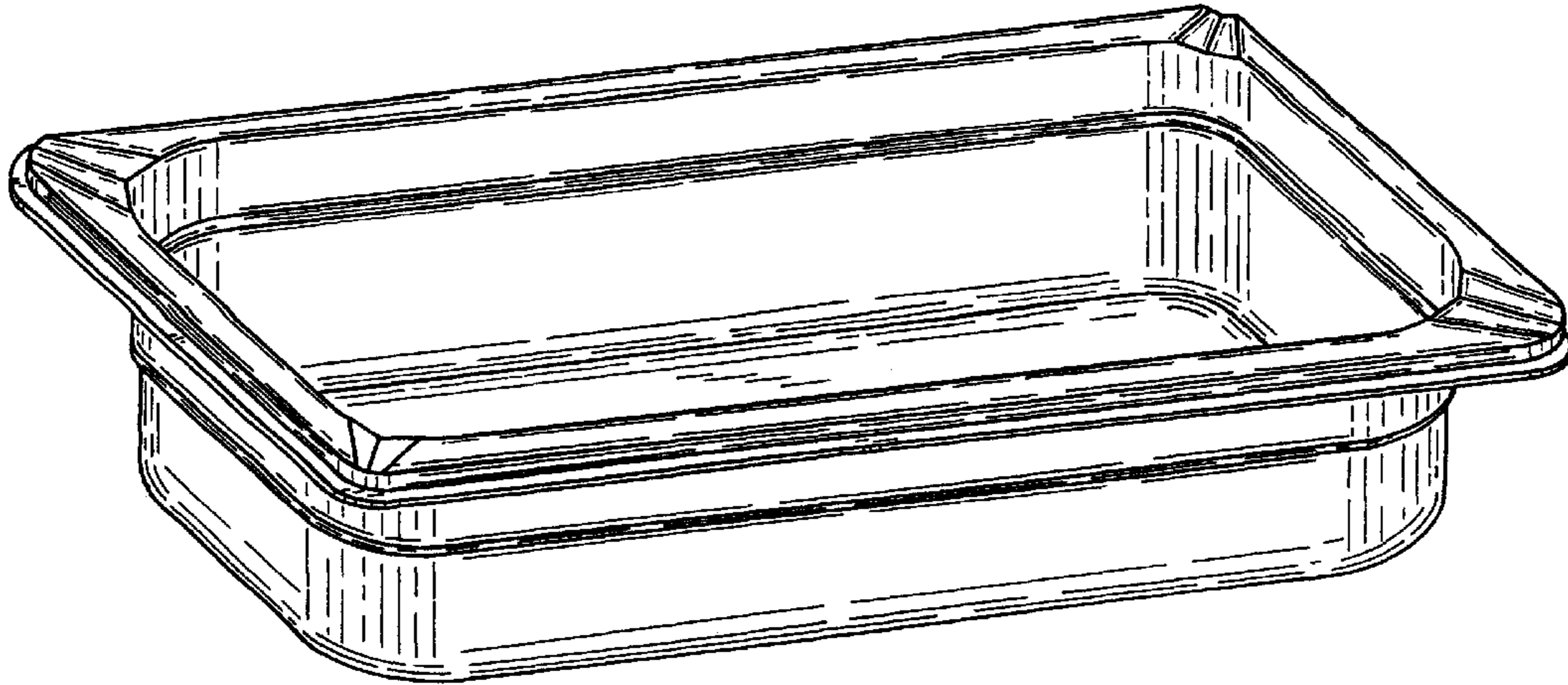


FIG. 1

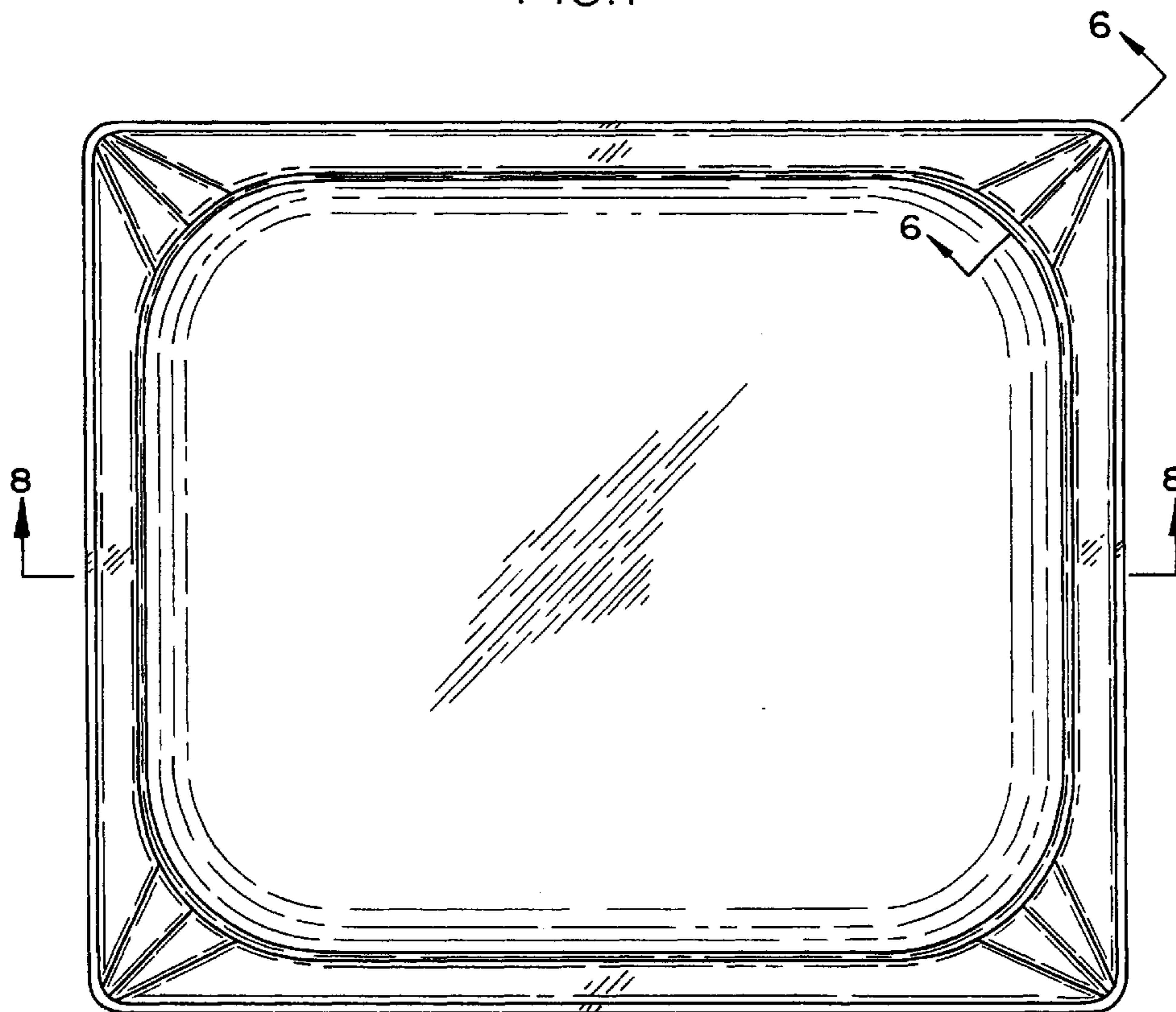


FIG. 2

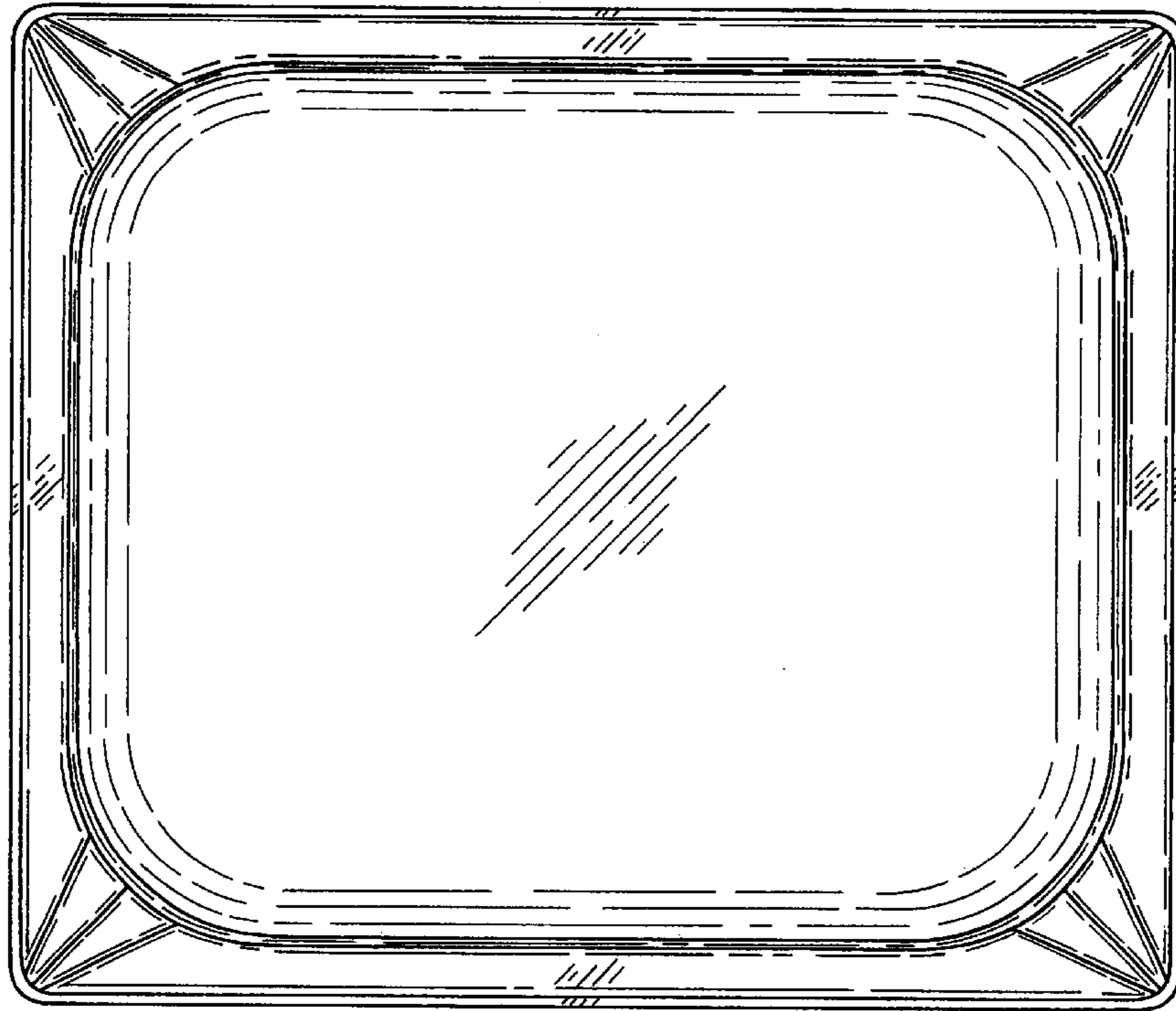


FIG. 3

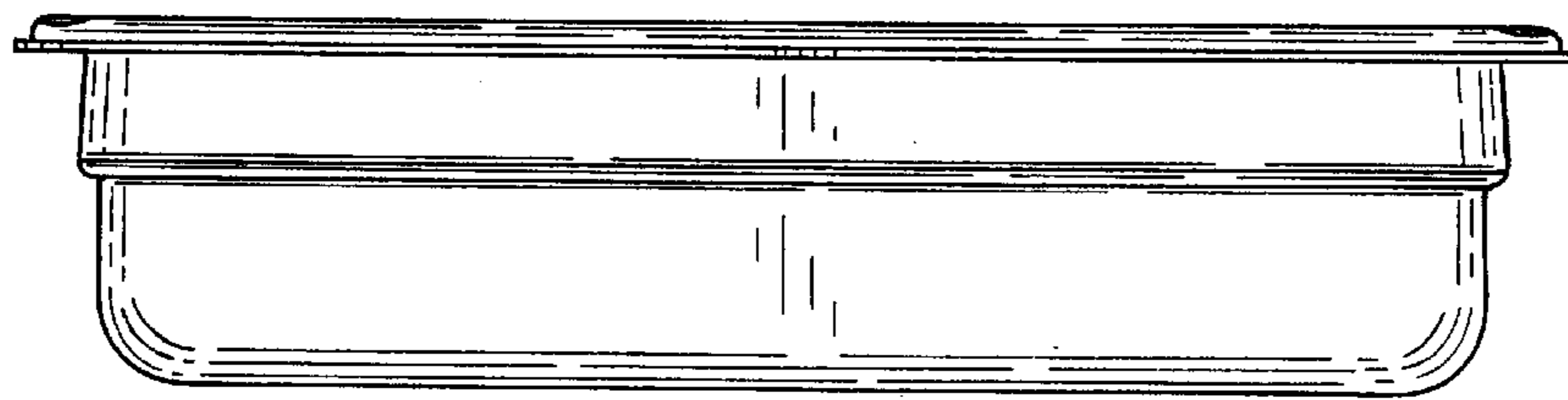


FIG. 4

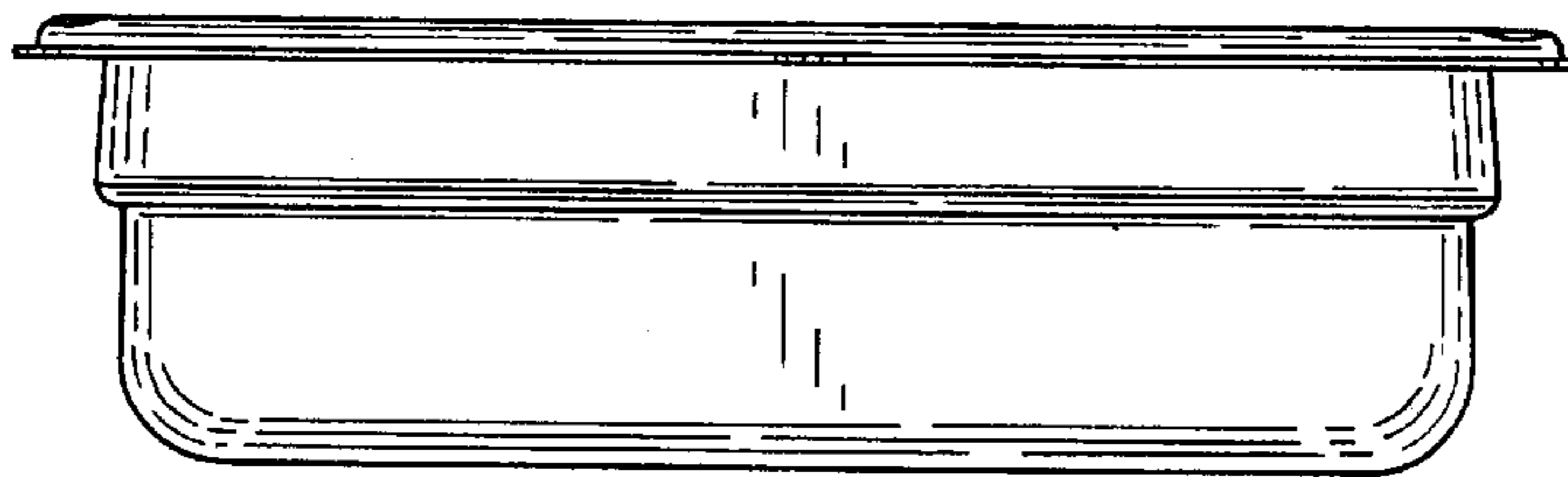


FIG. 5

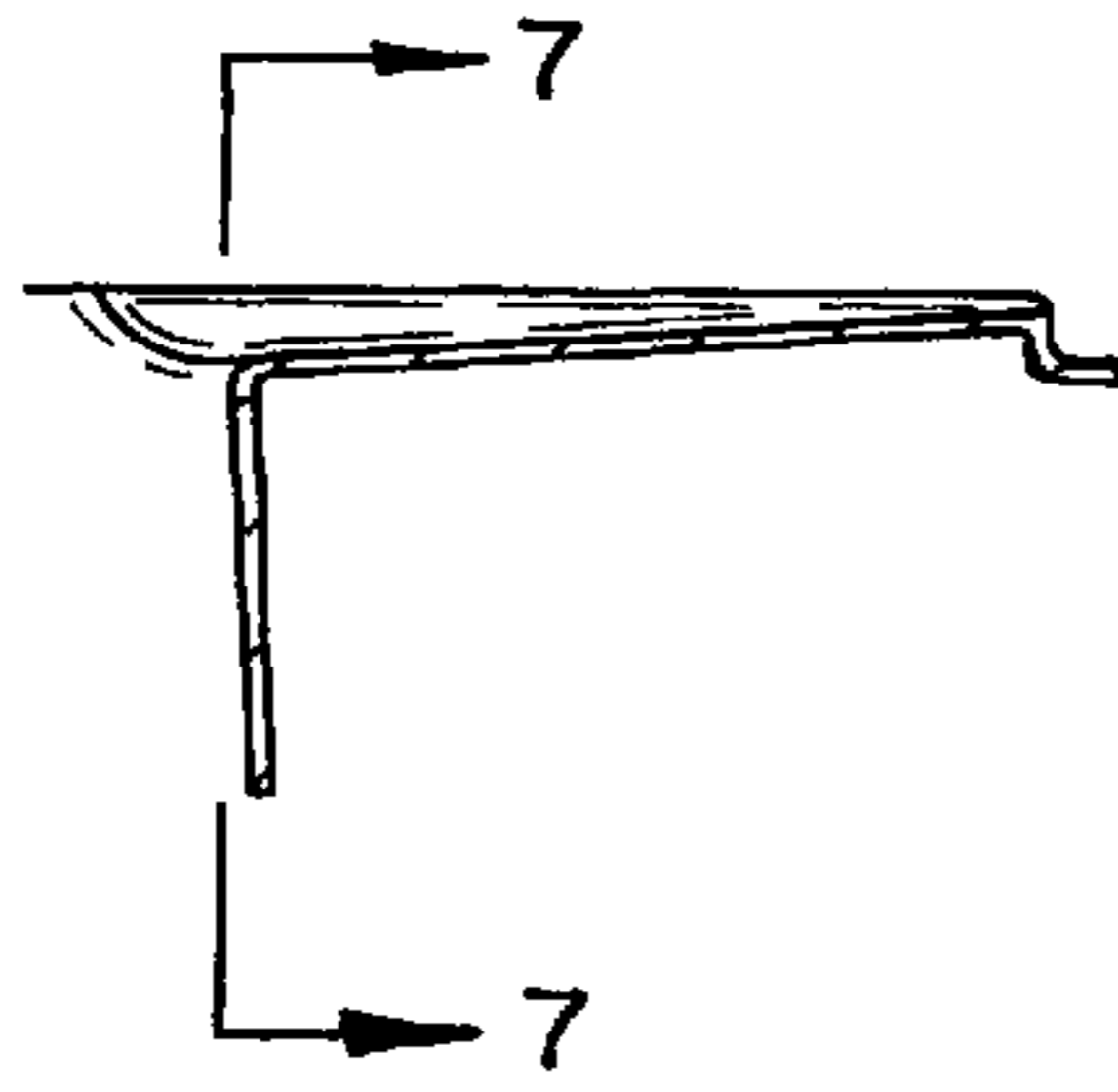


FIG. 6



FIG. 7

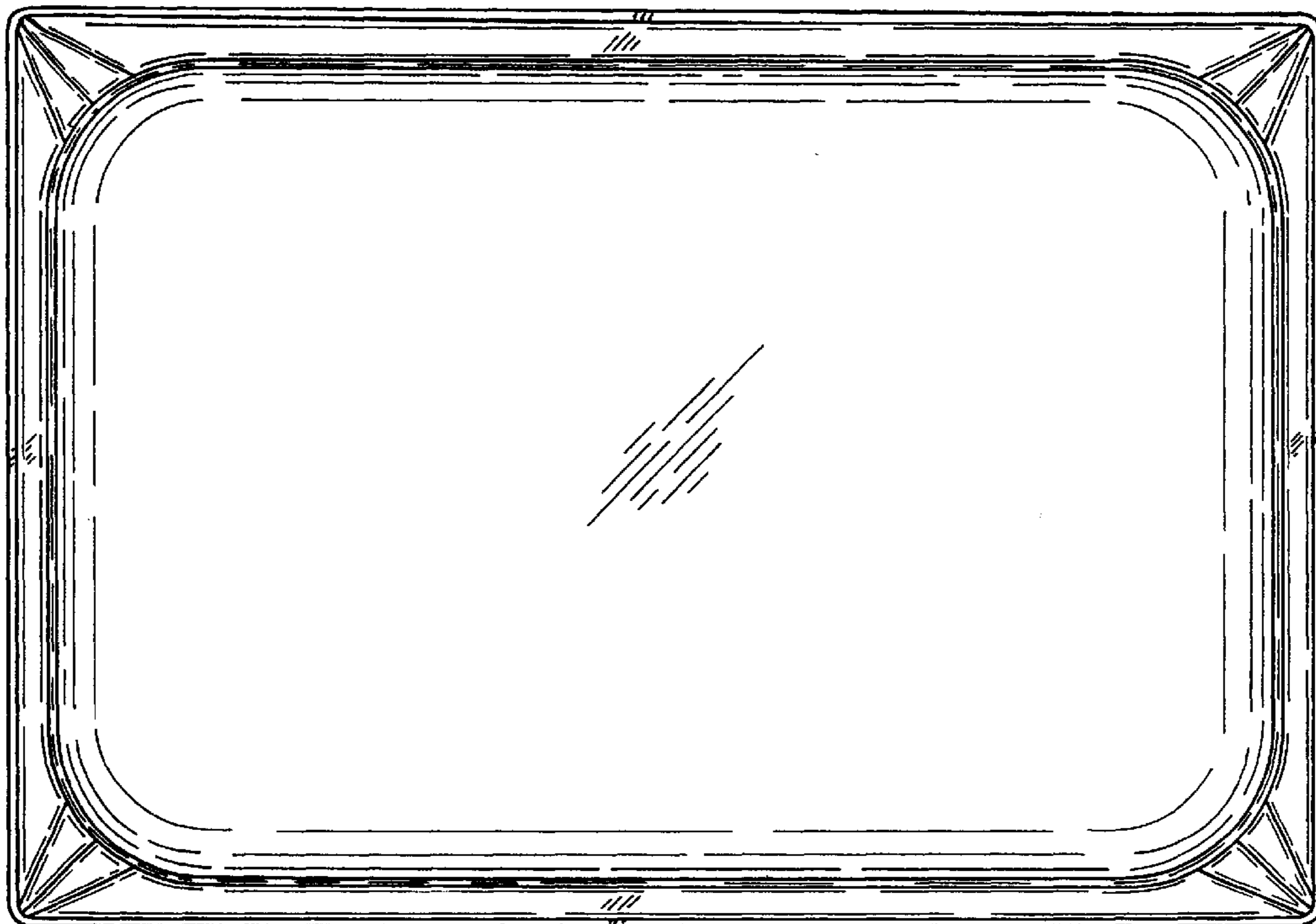


FIG. 9

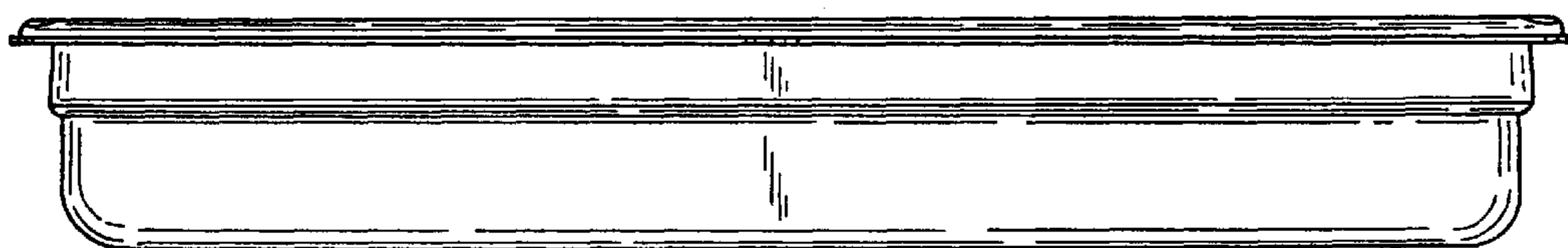


FIG. 10

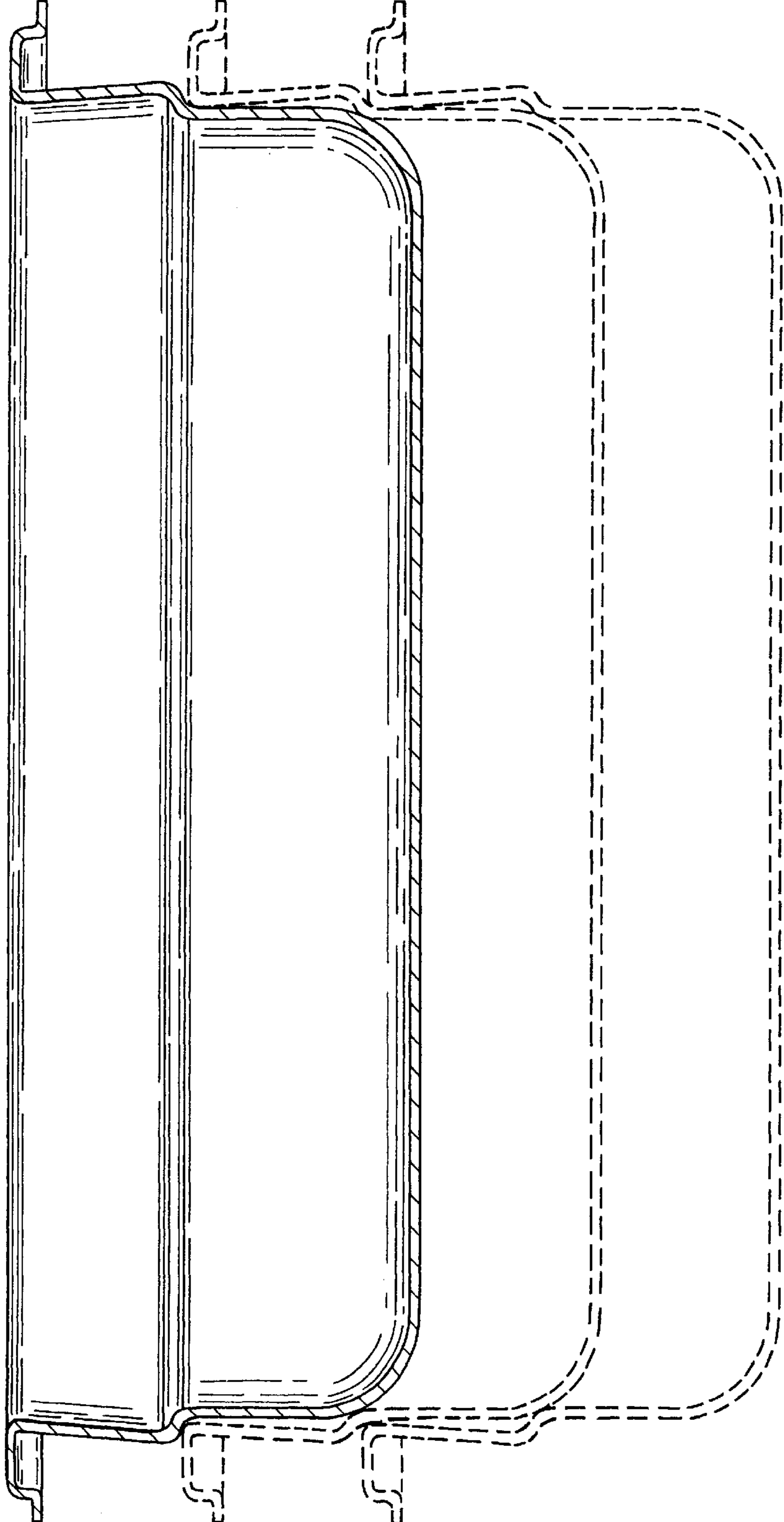


FIG. 8