



US00D529750S

(12) **United States Design Patent**
Baron et al.

(10) **Patent No.:** **US D529,750 S**
(45) **Date of Patent:** **** Oct. 10, 2006**

- (54) **DISPENSER**
- (75) Inventors: **Richard D. Baron**, Zephyrhills, FL
(US); **Steven A. Garbee**, Brandon, FL
(US)
- (73) Assignee: **Vitality Food Service Inc.**, Tampa, FL
(US)
- (**) Term: **14 Years**
- (21) Appl. No.: **29/213,289**
- (22) Filed: **Sep. 15, 2004**
- (51) **LOC (8) Cl.** **07-01**
- (52) **U.S. Cl.** **D7/307; D7/308; D7/311**
- (58) **Field of Classification Search** **D7/606,**
D7/301, 397, 605, 313, 306, 307, 308, 312,
D7/309, 311; 220/288, 623, 4.04; 248/146;
62/3.64, 388; 222/146.1, 129.1, 486; 99/279;
D15/80; D34/39; D9/633; D23/205
See application file for complete search history.

3,266,672 A	*	8/1966	Dean	222/129.1
D206,519 S	*	12/1966	Wolfe	D7/308
3,338,459 A		8/1967	Smith		
D209,126 S		10/1967	Martin		
D209,342 S		11/1967	Thompson et al.		
D211,316 S		6/1968	Kusterman et al.		
D212,258 S		9/1968	Cornelius et al.		
D213,040 S		12/1968	Schaper et al.		
D218,019 S		7/1970	Lattrave		
D218,281 S		8/1970	Diener		
D221,202 S		7/1971	Lorang		
D223,325 S		4/1972	Mox		
D223,334 S		4/1972	Hayes et al.		
D224,511 S		8/1972	Koenigsberg		
D226,703 S		4/1973	Broadhead		
D227,002 S		5/1973	Broadhead		
3,740,231 A		6/1973	Drwal et al.		
3,756,398 A		9/1973	Green et al.		
3,771,432 A		11/1973	Karlen		
3,793,935 A		2/1974	Martin		
D233,081 S		10/1974	Koch et al.		
D233,271 S		10/1974	Holcomb		
D235,388 S		6/1975	Taylor		
D236,807 S		9/1975	Schmidt		
3,940,002 A		2/1976	Schiemann		

(56) **References Cited**

(Continued)

U.S. PATENT DOCUMENTS

D73,990 S	11/1927	Young
D133,160 S	7/1942	Evans
D141,362 S	5/1945	Elkins
D156,089 S	11/1949	Fuerst
D156,279 S	11/1949	Rasmusson
D167,991 S	10/1952	Mack
2,737,880 A	3/1956	Johnson
D178,846 S	9/1956	Norris
2,927,522 A	3/1960	Rockwood et al.
D192,619 S	4/1962	Mojonnier
D192,621 S	4/1962	Mojonnier
D193,217 S	6/1962	Cassell
D193,741 S	10/1962	Westhoven et al.
D194,564 S	2/1963	Mojonnier
D196,939 S	11/1963	Cigognetti
D197,993 S	4/1964	Mojonnier
D197,994 S	4/1964	Mojonnier
D198,475 S	6/1964	Mojonnier
3,176,879 A	4/1965	Mojonnier
D203,074 S	11/1965	Adell

Primary Examiner—M. N. Pandozzi
(74) *Attorney, Agent, or Firm*—Frijouf, Rust & Pyle, P.A.

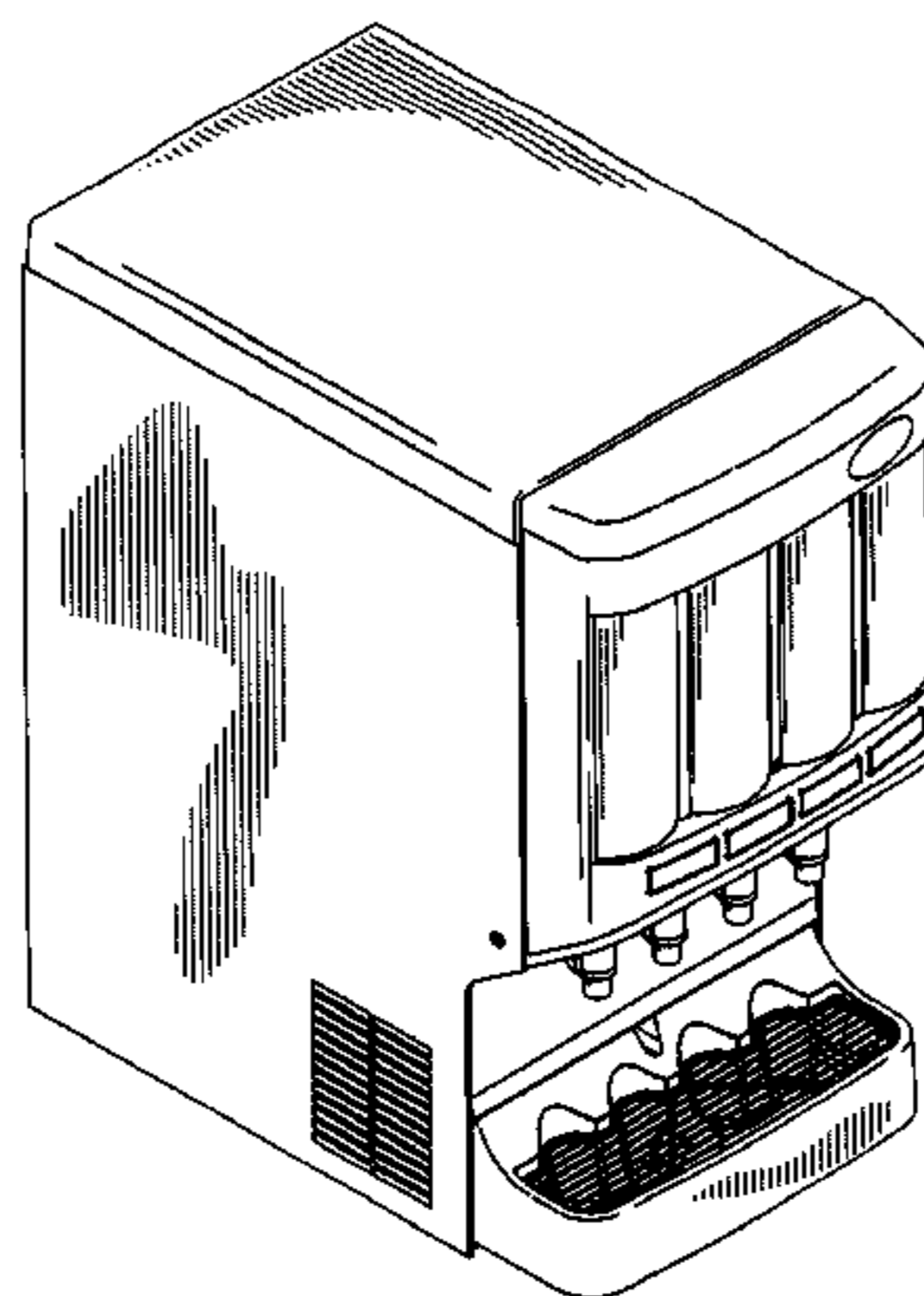
(57) **CLAIM**

The ornamental design for a dispenser, as shown and described.

DESCRIPTION

FIG. 1 is a left perspective view of a dispenser showing our new design;
FIG. 2 is a right perspective view thereof;
FIG. 3 is a front view thereof;
FIG. 4 is a rear view thereof;
FIG. 5 is a top view thereof.
FIG. 6 is a bottom view thereof;
FIG. 7 is a left side view thereof; and,
FIG. 8 is a right side view thereof.

1 Claim, 4 Drawing Sheets



US D529,750 S

Page 2

U.S. PATENT DOCUMENTS

3,948,105 A	4/1976	Johnson, Jr.		D297,697 S	*	9/1988	Fossella	D7/311
D241,915 S	10/1976	Campbell et al.		4,816,273 A		3/1989	Smith et al.	
D242,770 S	12/1976	Mitchell		D302,522 S		8/1989	Charbonneau et al.	
4,064,795 A	12/1977	Ackerman		D303,083 S		8/1989	Powell et al.	
D247,770 S	4/1978	Sagona		4,901,878 A		2/1990	Humphries	
D250,536 S	* 12/1978	Bourke	D7/308	D308,825 S		6/1990	Hoyt	
4,139,126 A	* 2/1979	Krasner et al.	222/146.6	4,952,068 A		8/1990	Flint	
D254,184 S	2/1980	Martin et al.		D312,021 S	*	11/1990	Mohat	D7/308
D255,093 S	5/1980	Hartung et al.		D315,869 S		4/1991	Collette	
4,228,758 A	10/1980	Dornau et al.		D319,976 S		9/1991	Wortley et al.	
4,252,073 A	2/1981	Hartung et al.		D320,157 S		9/1991	Nobile et al.	
D261,390 S	* 10/1981	Harvill	D7/307	D320,931 S		10/1991	Siegel	
D265,653 S	8/1982	Arzberger et al.		D321,320 S		11/1991	Halm	
D269,948 S	8/1983	Janssen		D322,383 S		12/1991	Jones	
D271,463 S	* 11/1983	Lents	D7/305	5,123,575 A		6/1992	Li	
D272,976 S	3/1984	LaLumiere		D335,062 S	*	4/1993	Kolada et al.	D7/308
D274,029 S	5/1984	Daugherty		D346,088 S	*	4/1994	Schroeder	D7/307
4,550,652 A	* 11/1985	Da Silva	99/279	D368,617 S	*	4/1996	Jackson et al.	D7/306
4,579,260 A	4/1986	Young et al.		D390,058 S	*	2/1998	Landers	D7/307
D288,531 S	3/1987	Tarasevich et al.		D404,242 S	*	1/1999	Schroeder	D7/307
D289,612 S	5/1987	Carlson		D408,206 S	*	4/1999	Stafford et al.	D7/306
D289,976 S	5/1987	Mumpries		D451,748 S	*	12/2001	Holderfield	D7/307
D294,117 S	2/1988	Rogler et al.		D453,088 S	*	1/2002	Bell et al.	D7/307
D294,118 S	2/1988	Papa		D461,675 S	*	8/2002	Kemper et al.	D7/307
D294,463 S	3/1988	Lang		D463,193 S	*	9/2002	Sandor et al.	D7/307
D294,678 S	3/1988	Papa		D486,687 S	*	2/2004	Strandell	D7/307
D295,381 S	4/1988	Papa		D510,675 S	*	10/2005	Ball	D7/306
D296,668 S	7/1988	Stavish						

* cited by examiner

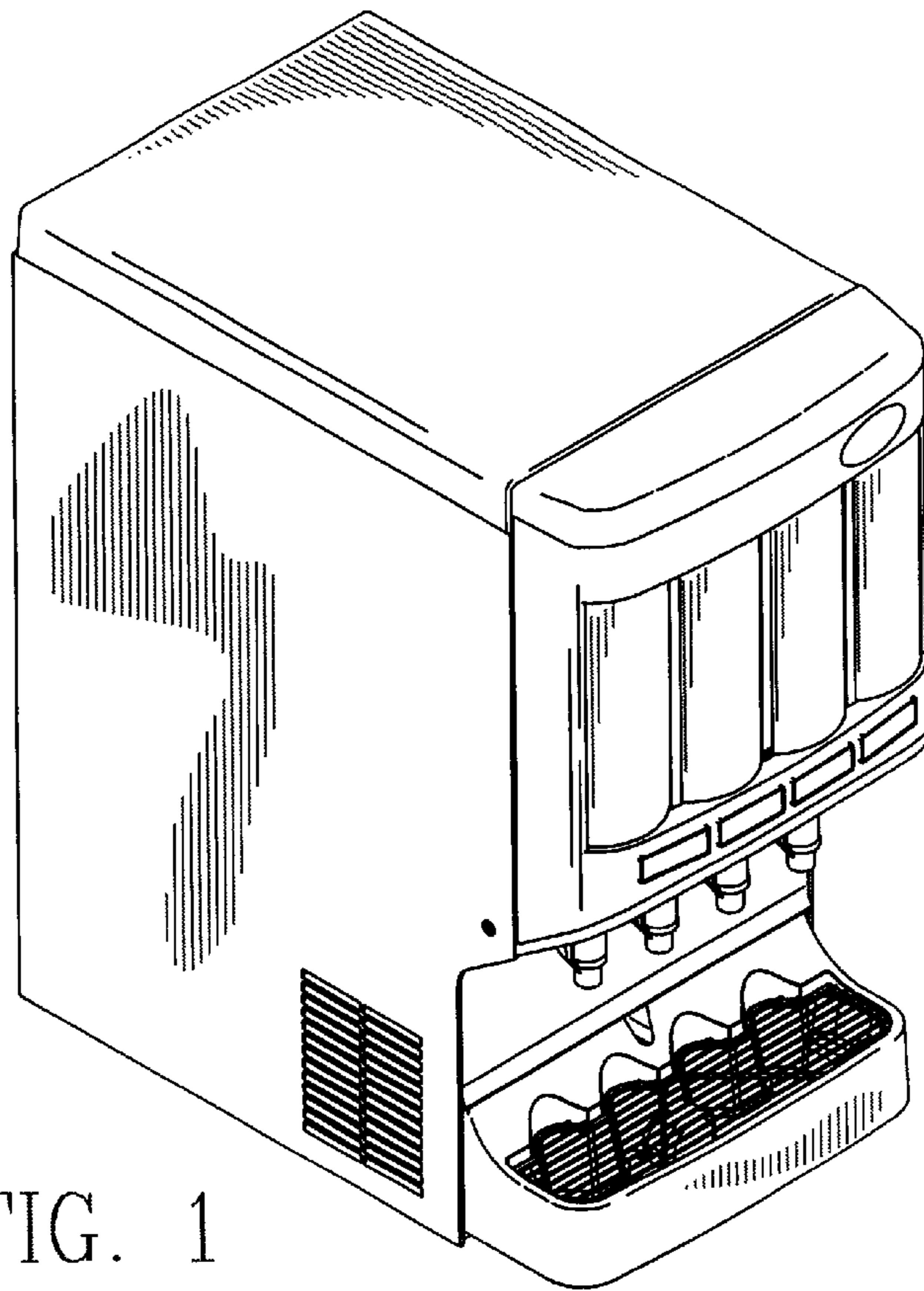


FIG. 1

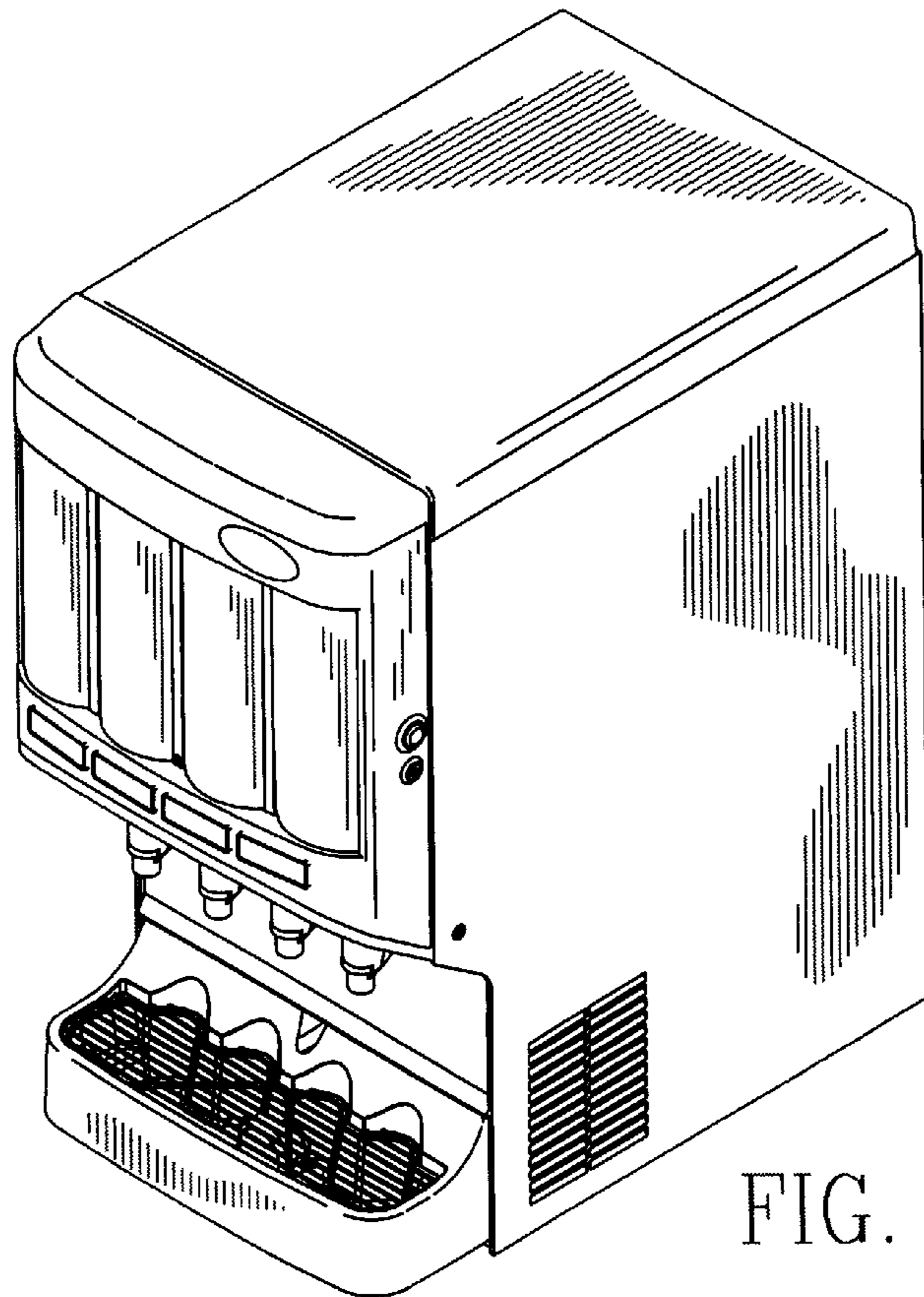


FIG. 2

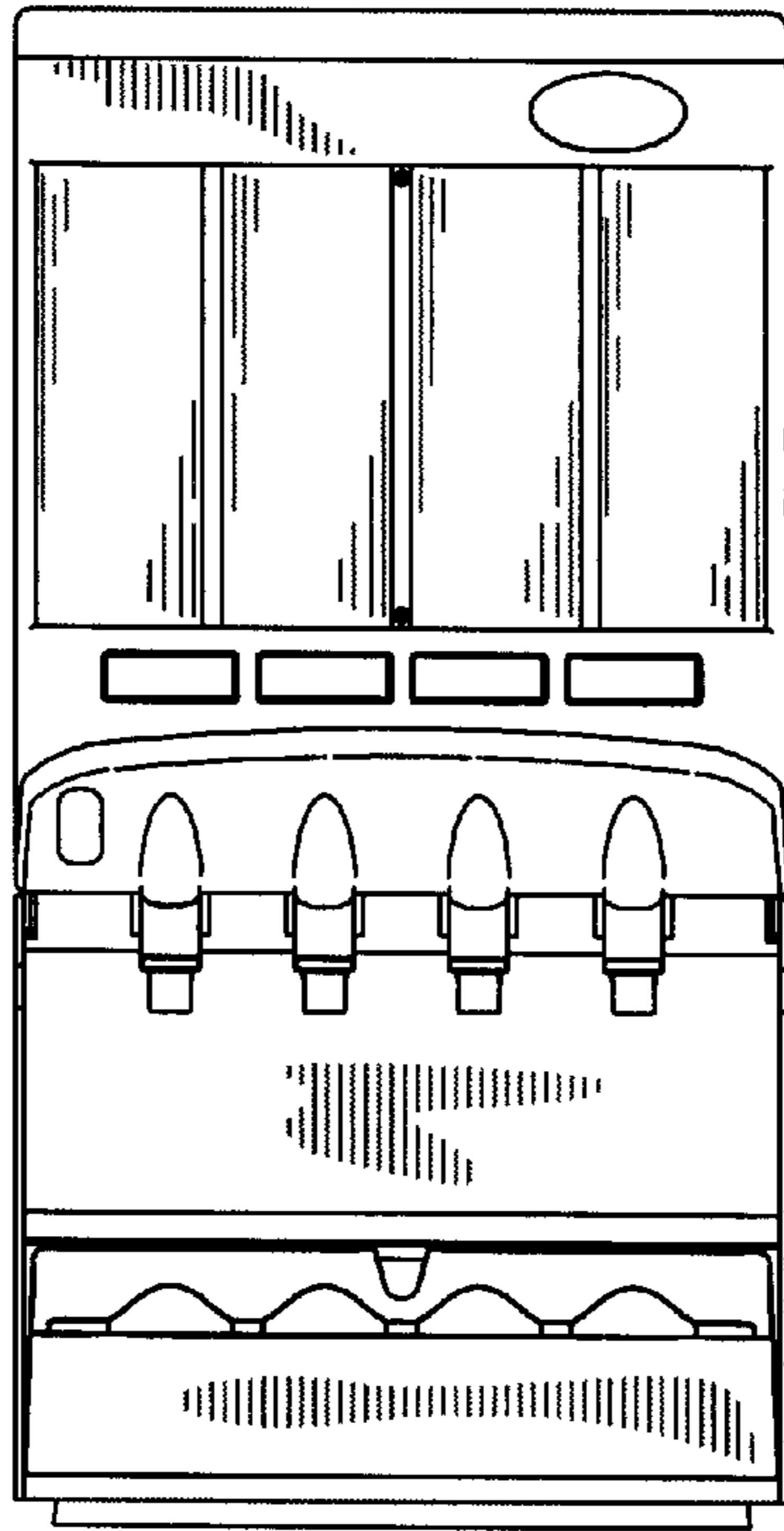


FIG. 3

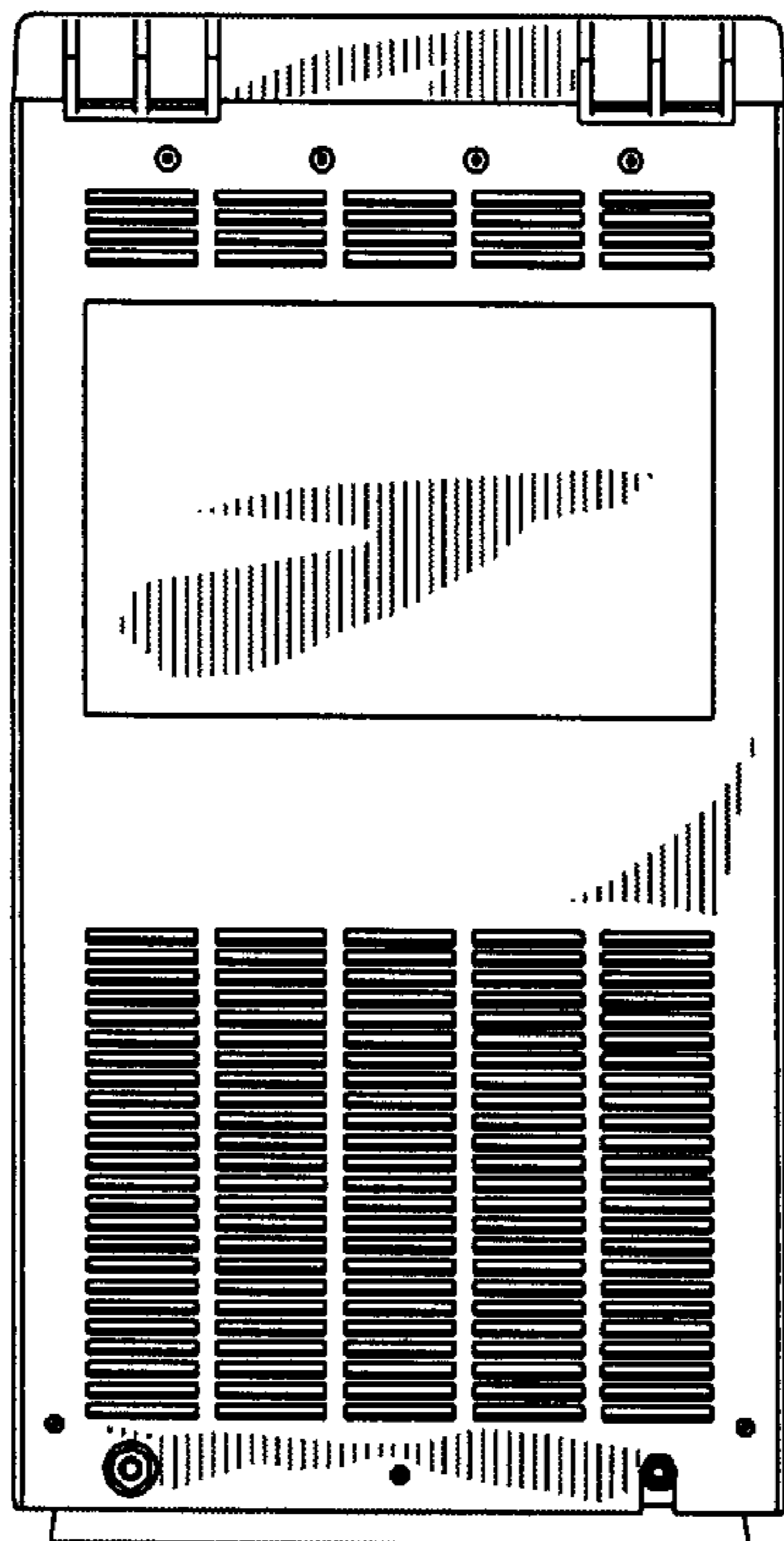


FIG. 4

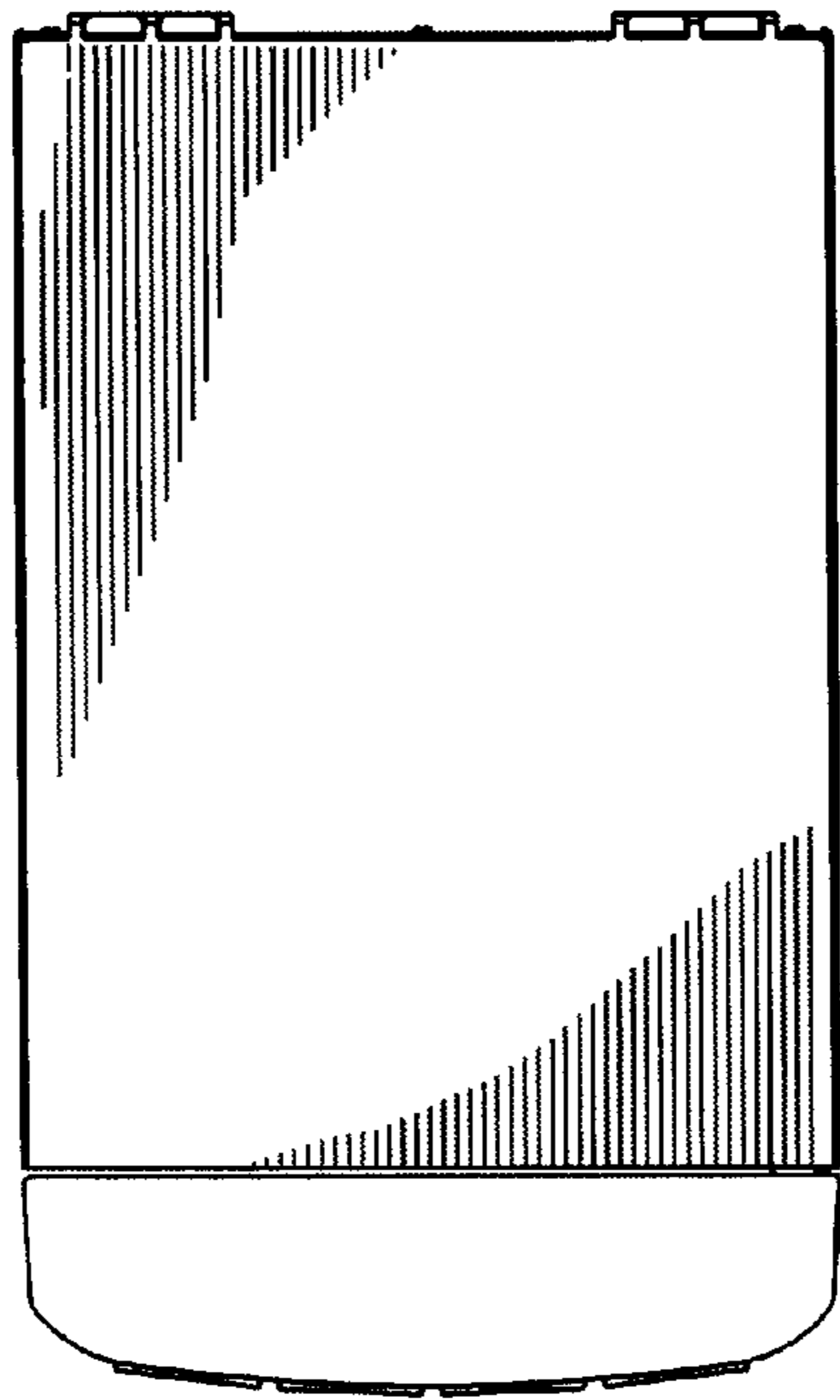


FIG. 5

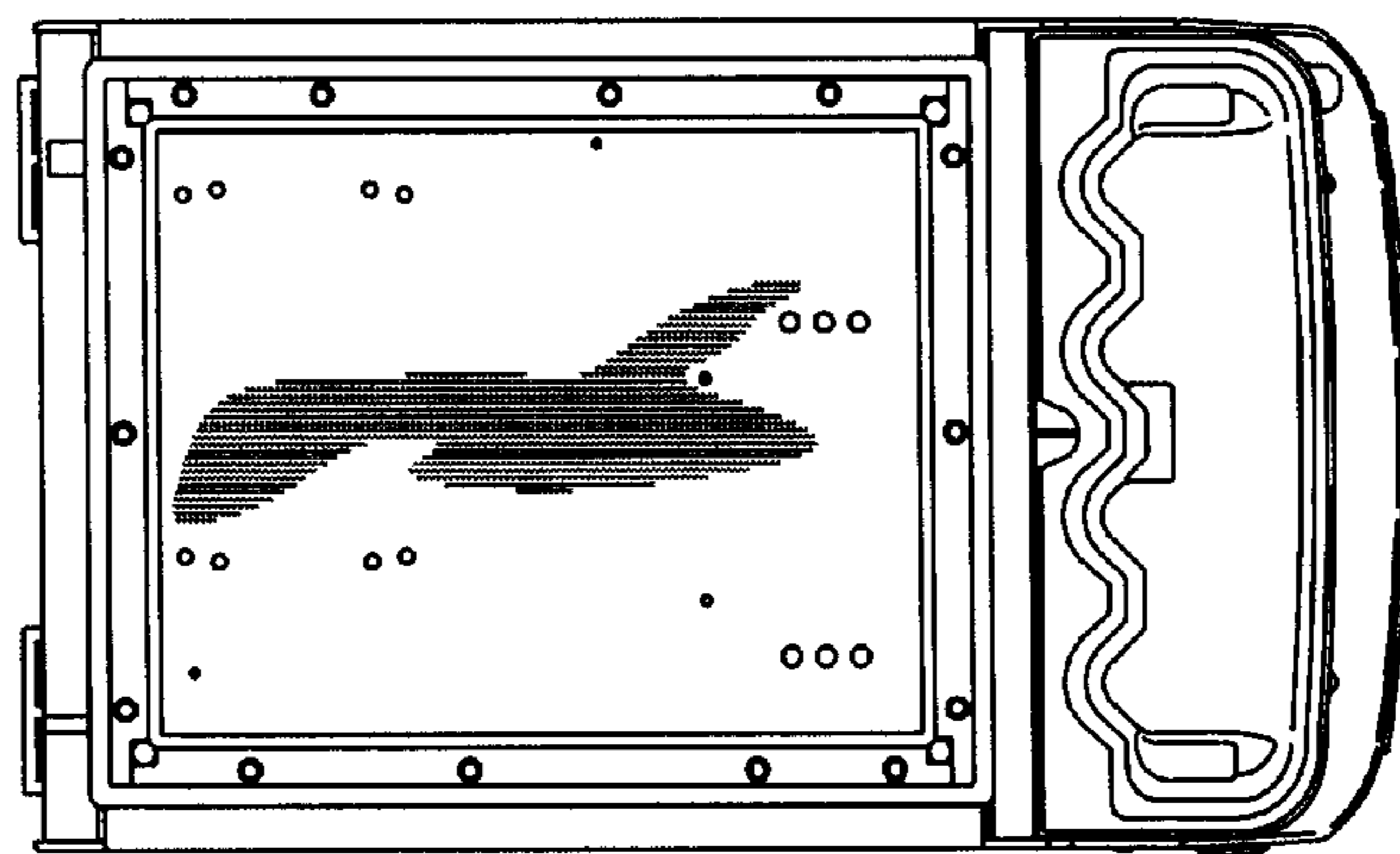


FIG. 6

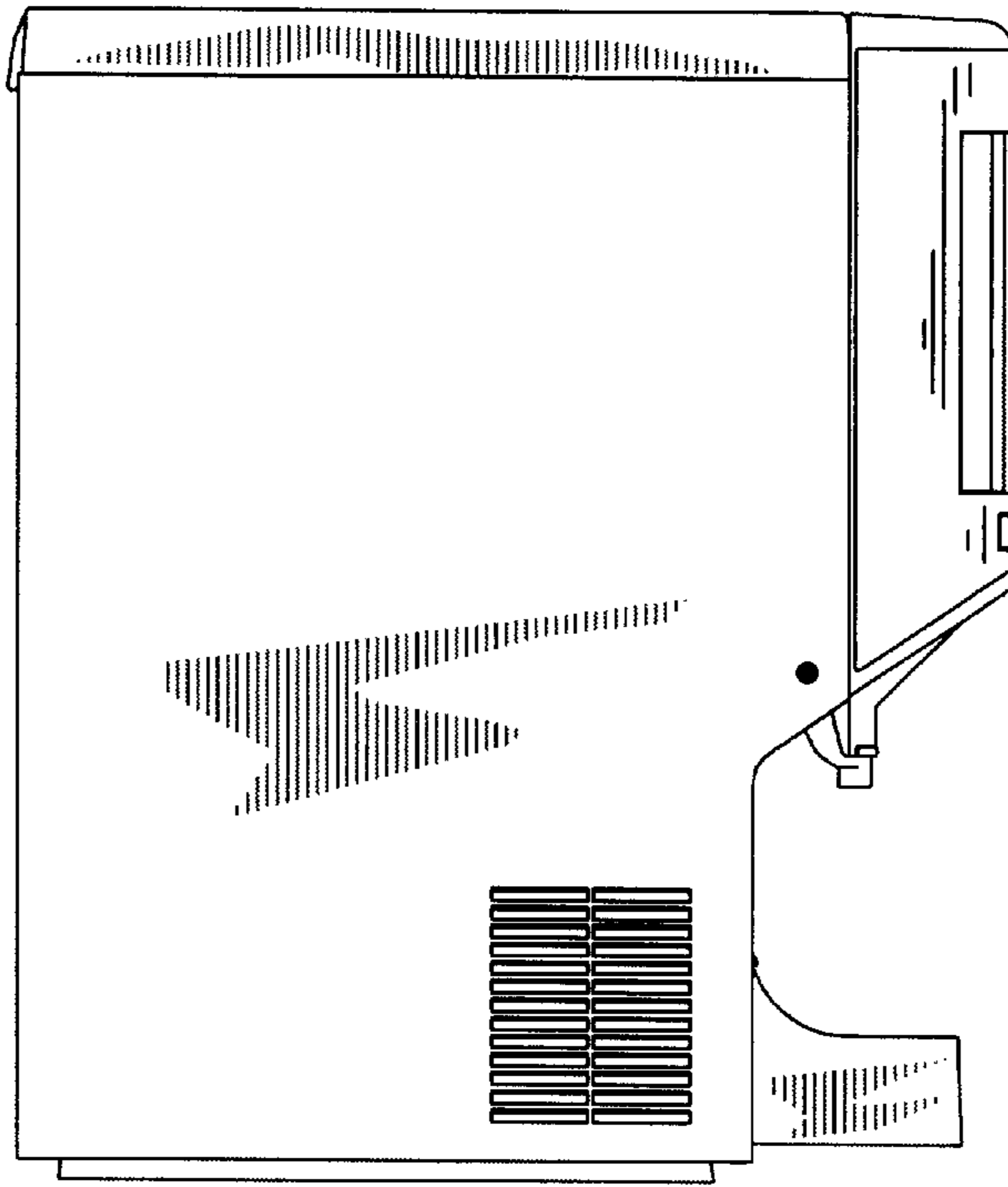


FIG. 7

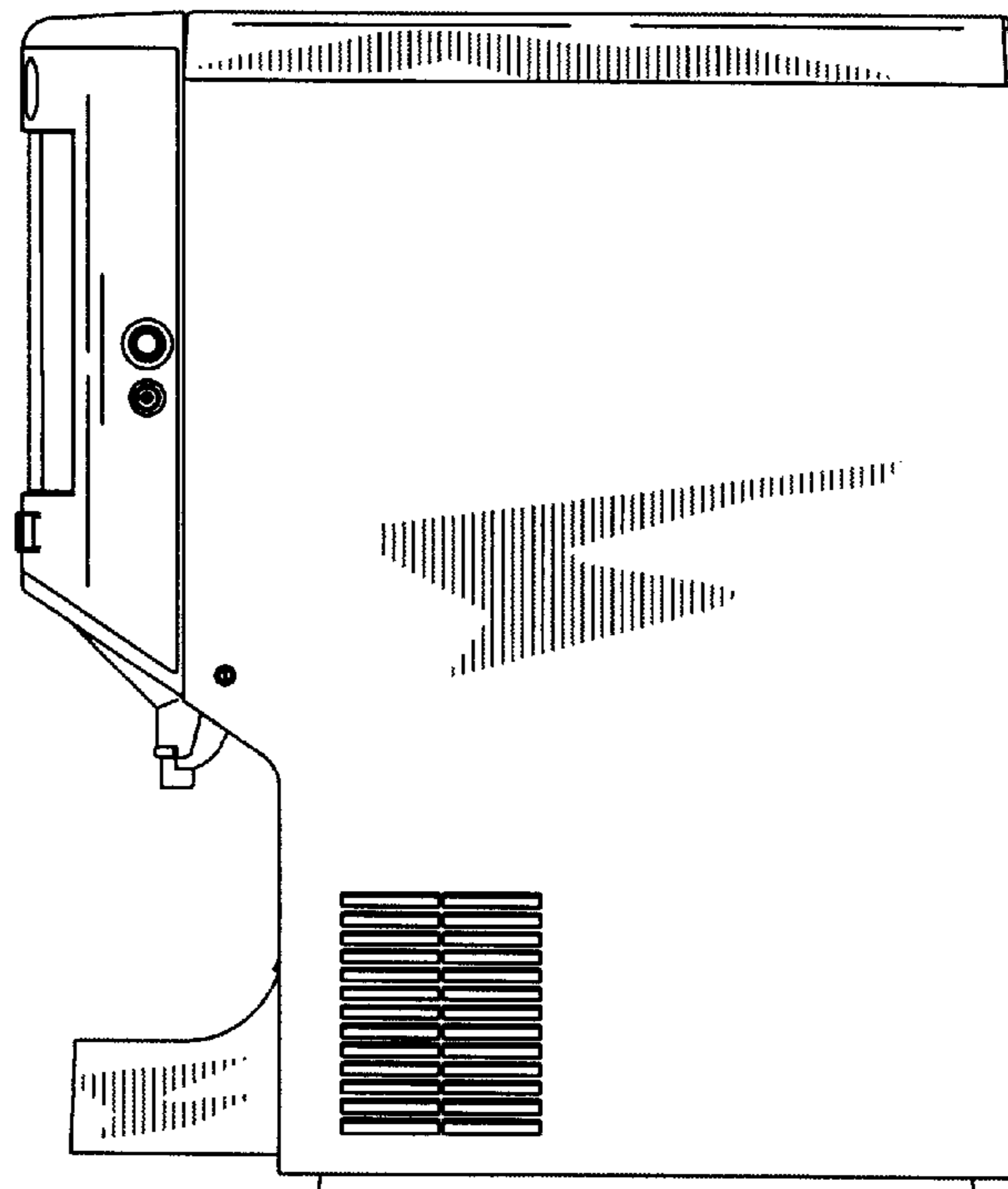


FIG. 8