

US00D529748S

(12) **United States Design Patent**  
**Park**

(10) **Patent No.:** **US D529,748 S**

(45) **Date of Patent:** **\*\* Oct. 10, 2006**

(54) **STRIPE VISOR**

6,199,213 B1 \* 3/2001 Whang ..... 2/181  
6,408,443 B1 \* 6/2002 Park ..... 2/195.1

(75) Inventor: **Boo YI Park**, Seoul (KR)

\* cited by examiner

(73) Assignee: **Dada Corp.**, Seoul (KR)

*Primary Examiner*—Doris V. Coles

(\*\*) Term: **14 Years**

*Assistant Examiner*—Mimosa De

(21) Appl. No.: **29/161,379**

(57) **CLAIM**

(22) Filed: **May 30, 2002**

The ornamental design for “stripe visor,” as shown and described.

(51) **LOC (8) Cl.** ..... **02-03**

**DESCRIPTION**

(52) **U.S. Cl.** ..... **D6/876**

(58) **Field of Classification Search** ..... D2/865,  
D2/866, 871, 872, 873, 875, 876, 879, 882,  
D2/893; 2/171, 181, 195.1, 195.2, 209.12,  
2/209.13; D29/100, 109

FIG. 1 is a perspective view of “stripe visor” showing my new design

FIG. 2 is a top plan view of FIG. 1

FIG. 3 is a front elevational view of FIG. 1

FIG. 4 is a right side elevational view of FIG. 1, the left side is a mirror image.

FIG. 5 is a rear elevational view of FIG. 1; and,

FIG. 6 is a bottom plan view of FIG. 1.

See application file for complete search history.

The dashed lines showing a headwear crown in all views are for illustrative purposes only and form no part of the claimed design.

The broken lines shown on the visor represent stitching.

(56) **References Cited**

**U.S. PATENT DOCUMENTS**

D288,024 S	*	2/1987	Laughlin	.....	D2/871
D288,025 S	*	2/1987	Laughlin	.....	D2/871
D288,026 S	*	2/1987	Laughlin	.....	D2/871
D366,558 S		1/1996	Galper		
D412,773 S		8/1999	Zak		

**1 Claim, 3 Drawing Sheets**

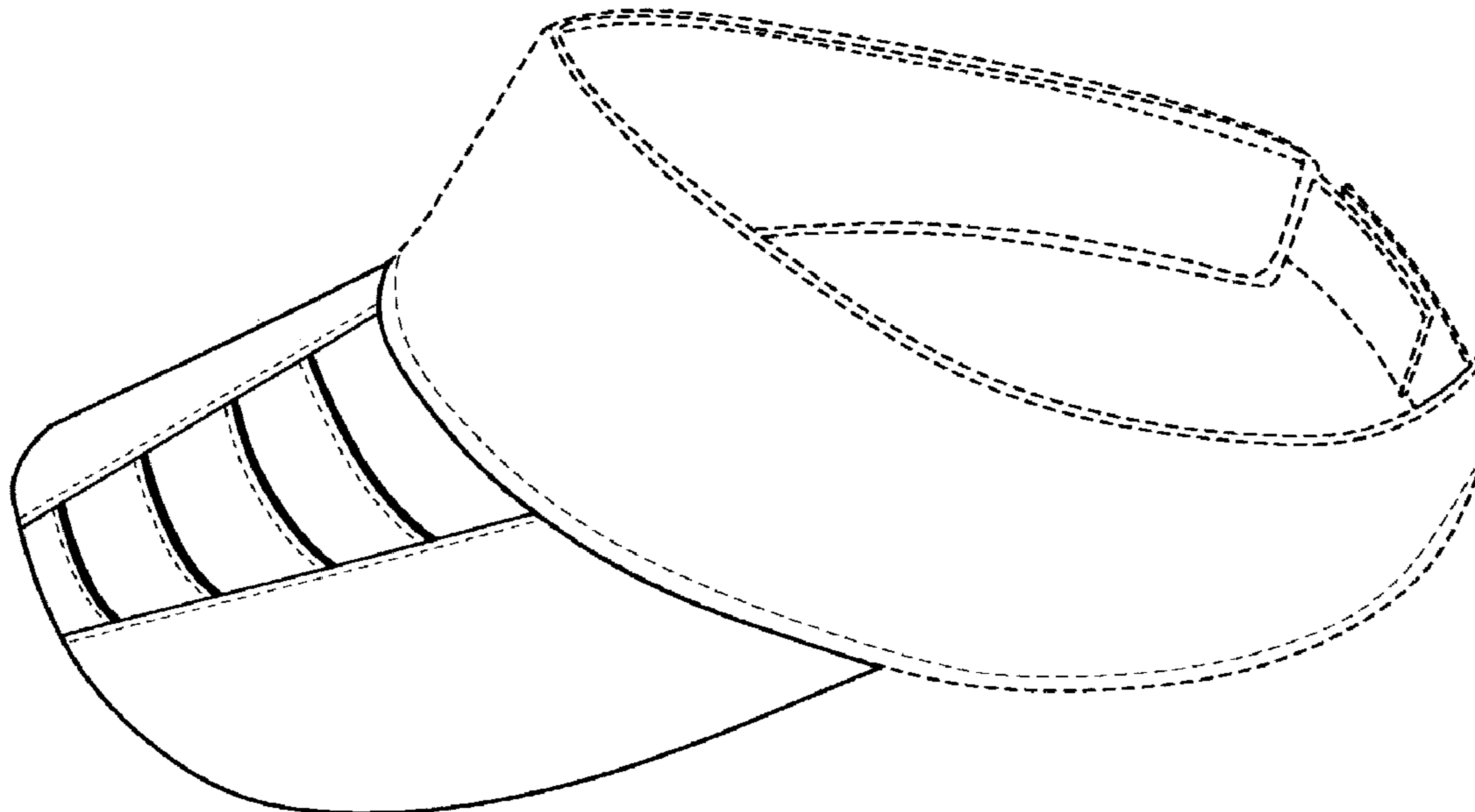


FIG.1

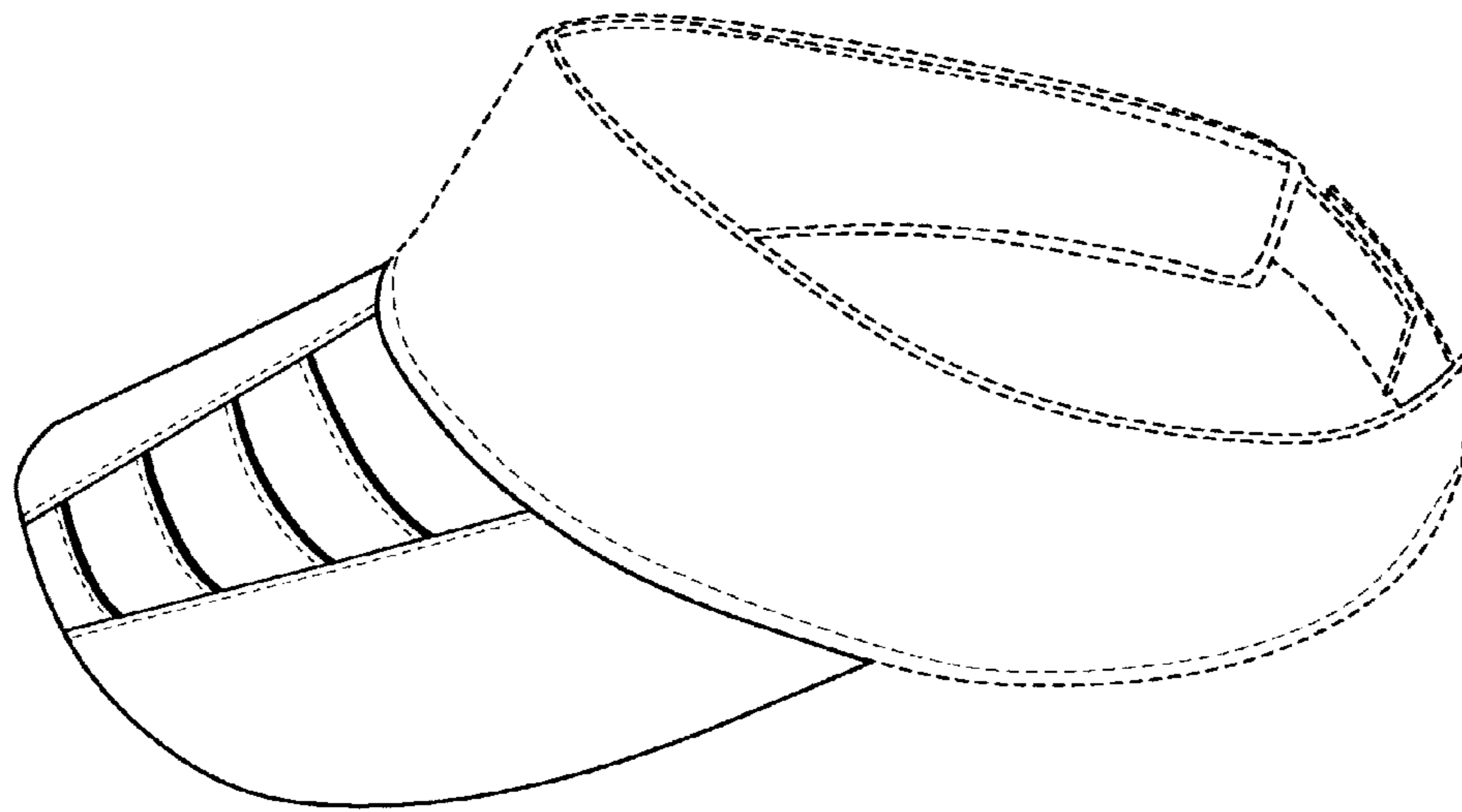


FIG.2

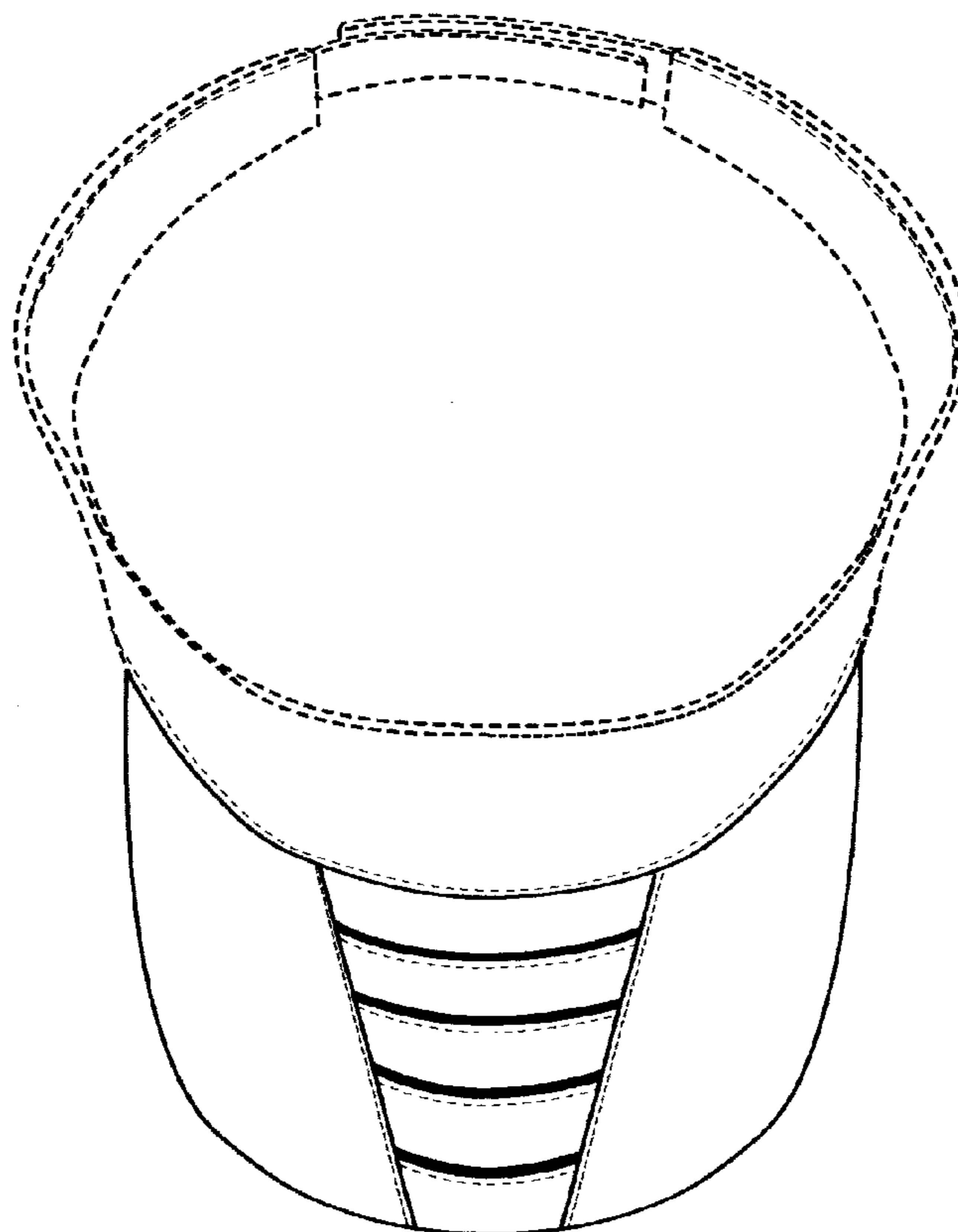


FIG.3

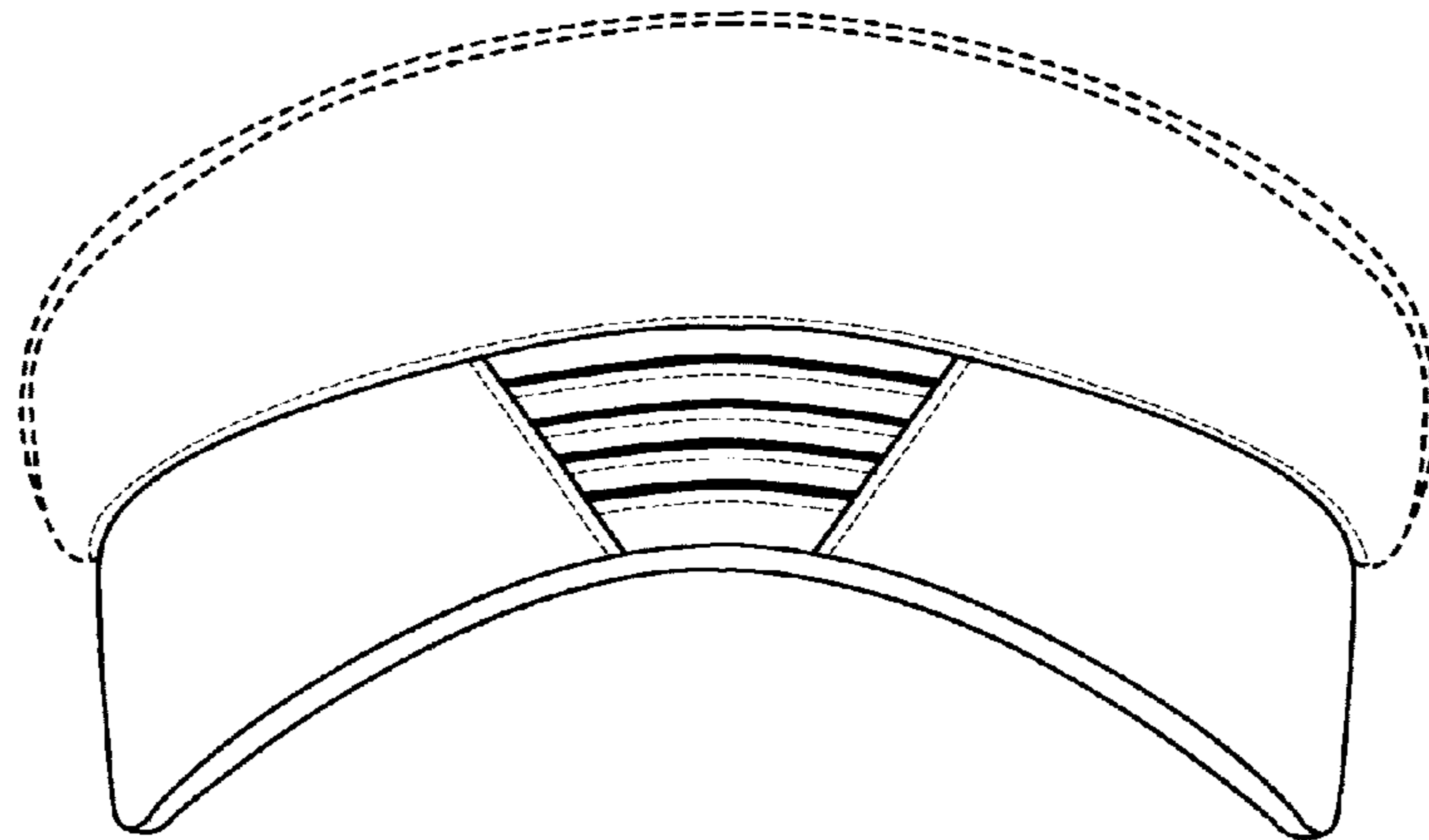


FIG.4

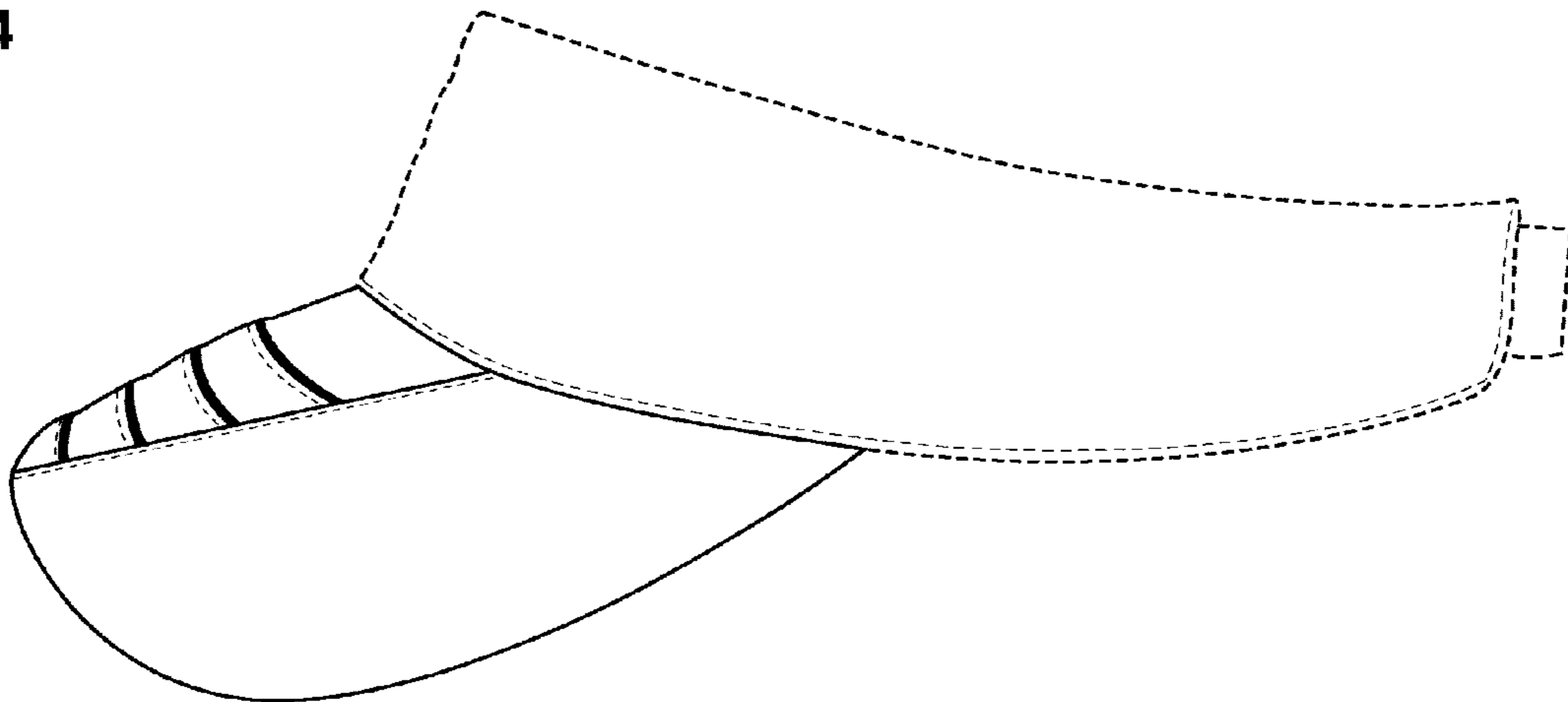


FIG.5

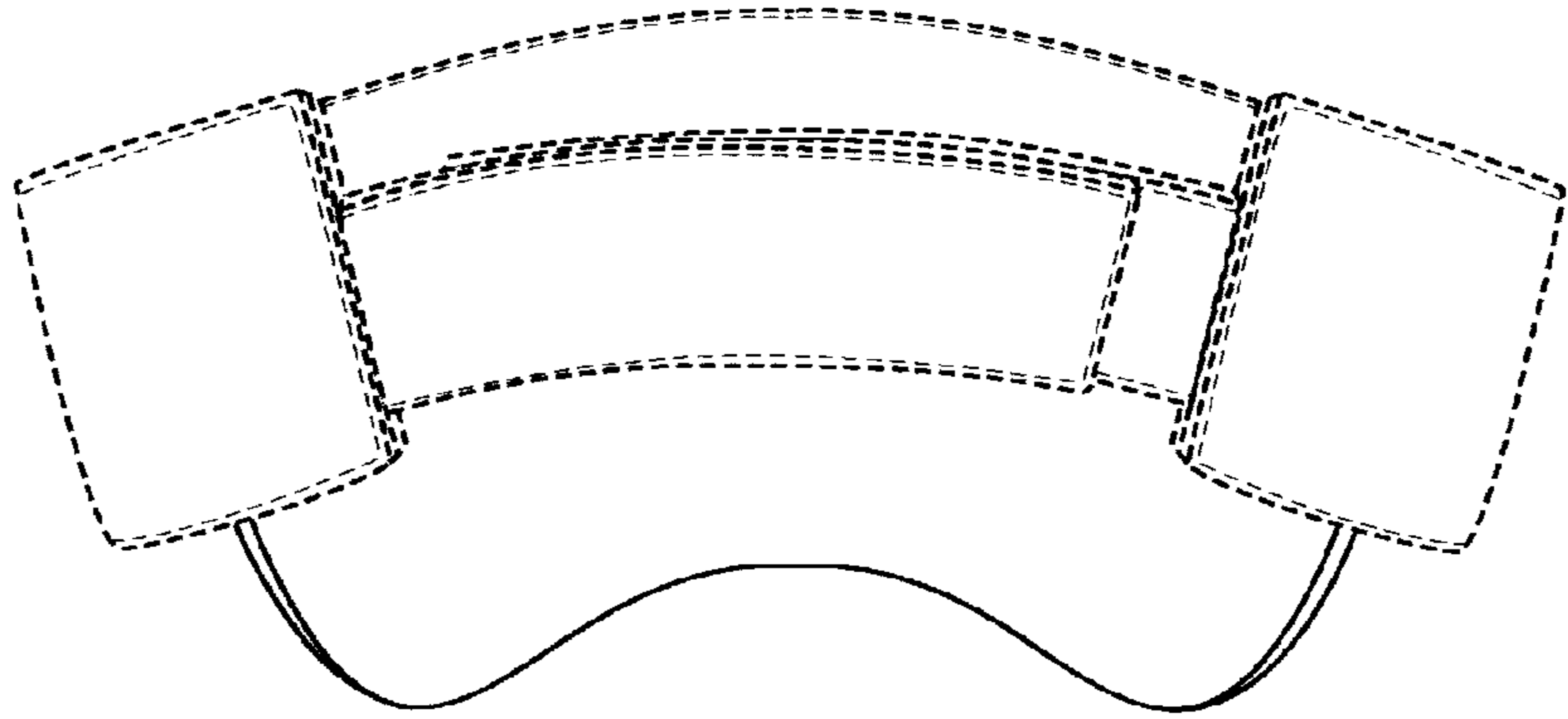


FIG.6

