

US00D529747S

(12) **United States Design Patent**
Gilchrest, Jr. et al.

(10) **Patent No.:** **US D529,747 S**

(45) **Date of Patent:** **** Oct. 10, 2006**

(54) **BOLSTER SYSTEM**

(75) Inventors: **Edward Gilchrest, Jr.**, Oxford, CT (US); **George E. Riehm**, New Fairfield, CT (US)

(73) Assignee: **Scott Technology LLC**, Oxford, CT (US)

(**) Term: **14 Years**

(21) Appl. No.: **29/218,672**

(22) Filed: **Dec. 6, 2004**

(51) **LOC (8) Cl.** **06-09**

(52) **U.S. Cl.** **D6/606**

(58) **Field of Classification Search** D6/595, D6/596, 606, 607; 5/400, 424, 426, 427, 5/613, 615, 625, 626, 652, 658, 659, 680; D24/183, 184; D12/128

See application file for complete search history.

(56) **References Cited**

U.S. PATENT DOCUMENTS

3,406,410	A	*	10/1968	Bidgood	5/625
3,735,432	A	*	5/1973	Kreten et al.	5/680
6,073,287	A	*	6/2000	Svensson	5/625
6,081,950	A	*	7/2000	Selton	5/652
D455,594	S	*	4/2002	Gratz	D6/606
D465,117	S	*	11/2002	Gratz	D6/606

D466,354	S	*	12/2002	Gratz	D6/606
6,892,405	B1	*	5/2005	Dimitriu et al.	5/615

* cited by examiner

Primary Examiner—Robert M. Spear

Assistant Examiner—Mary Ann Calabrese

(74) *Attorney, Agent, or Firm*—Milde & Hoffberg LLP

(57) **CLAIM**

The ornamental design for bolster system, as shown and described.

DESCRIPTION

FIG. 1 is a top perspective view of bolster system showing our new design;

FIG. 2 is an enlarged top perspective view thereof, shown in use with air mattress bladders inserted into the bolster system;

FIG. 3 is a front view, showing a person lying on an air mattress;

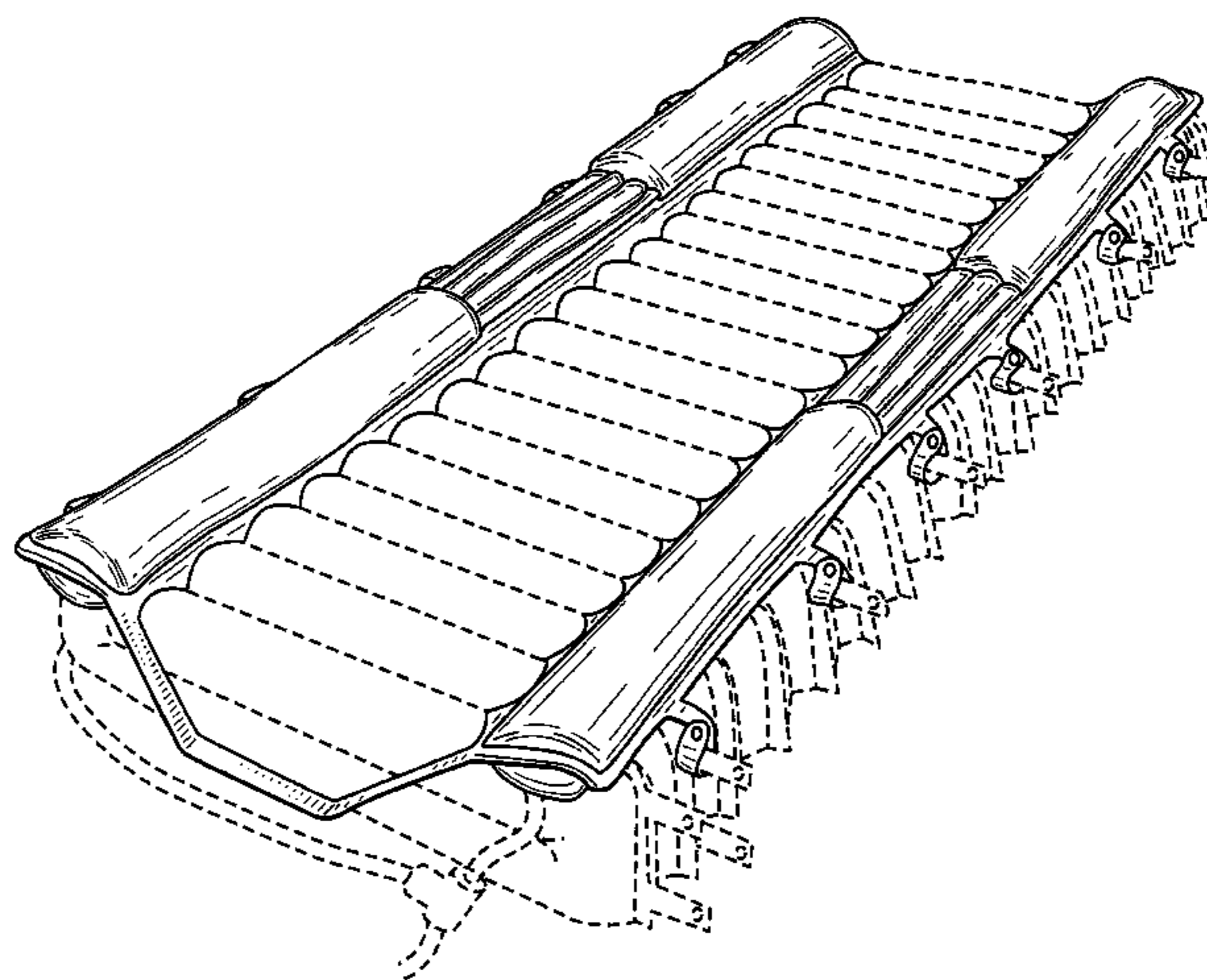
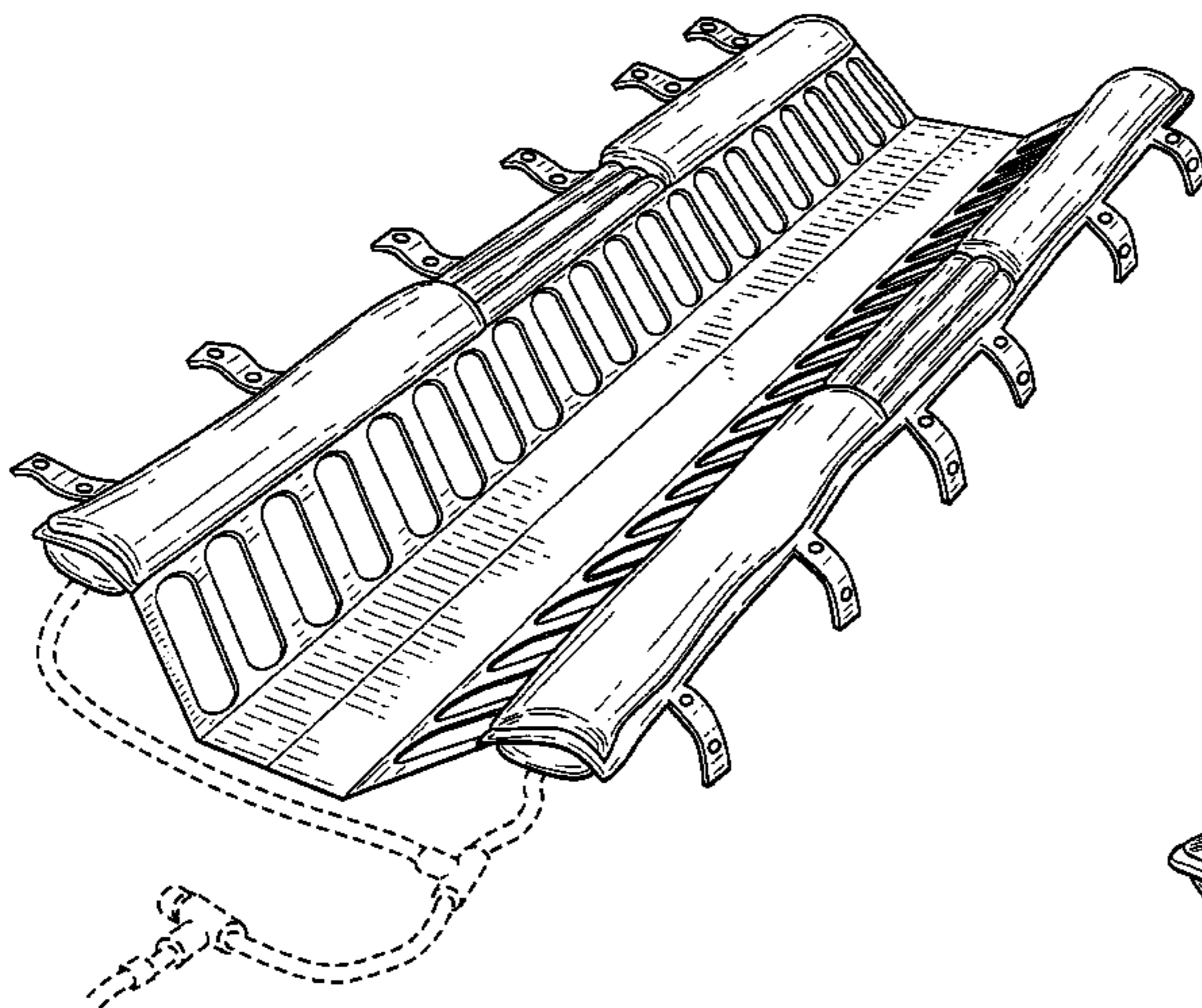
FIG. 4 is a rear view;

FIGS. 5 and 6 are enlarged left and right views, respectively, showing the straps in an alternate position; and,

FIGS. 7 and 8 are reduced top and bottom views thereof, respectively, of the design according to the present invention.

Elements of the drawings shown in broken lines do not constitute a part of the claimed invention.

1 Claim, 8 Drawing Sheets



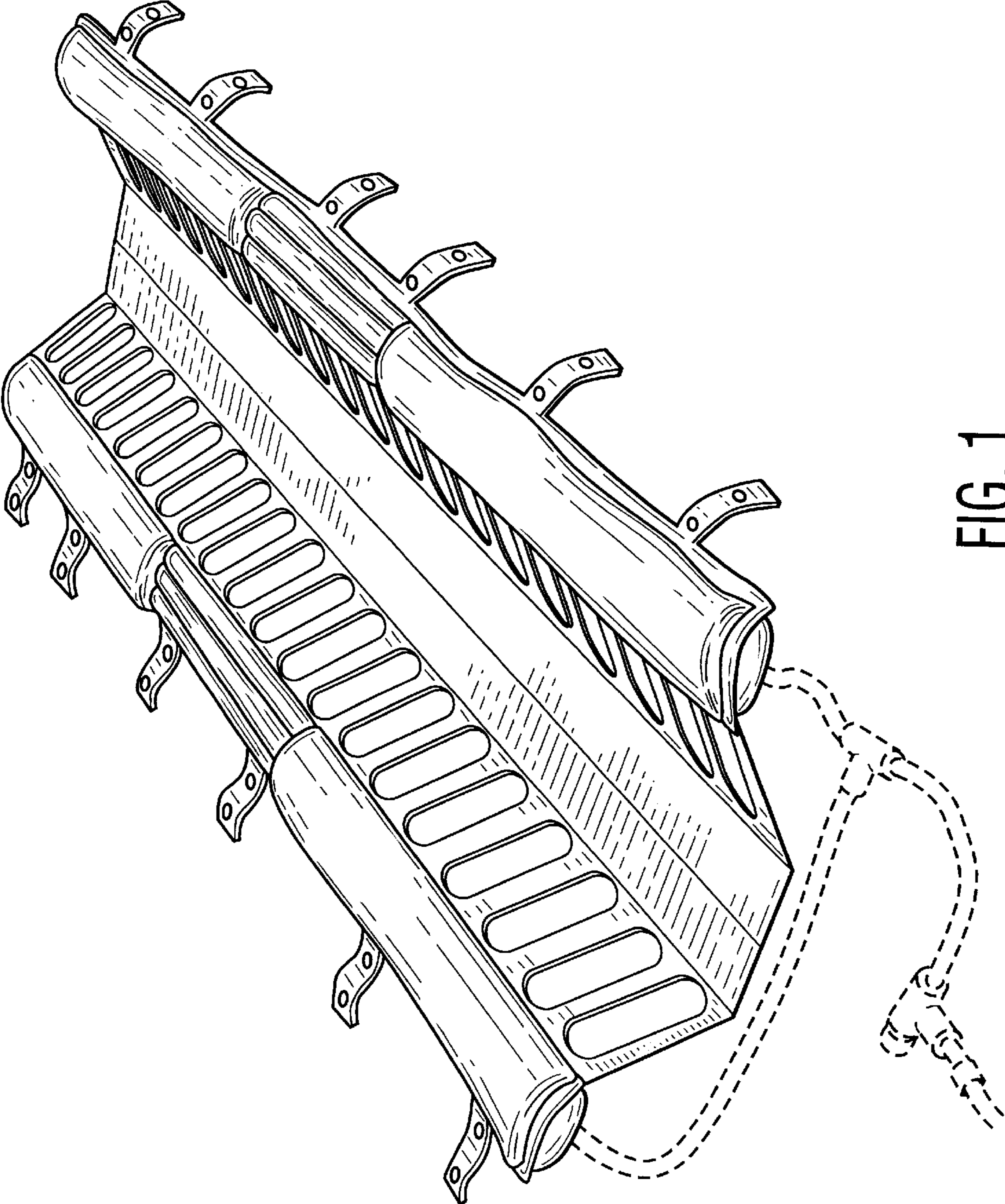
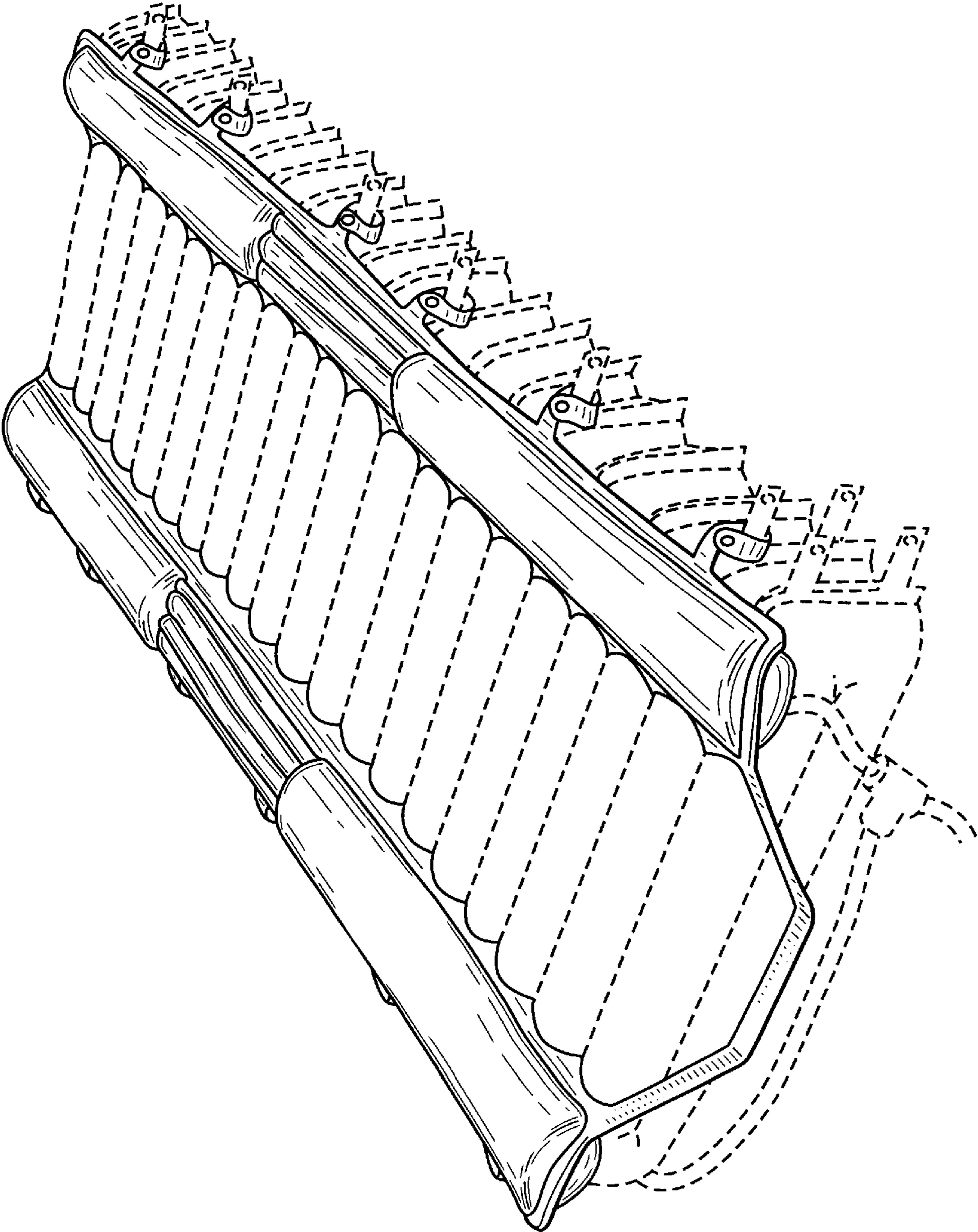


FIG. 1

FIG. 2



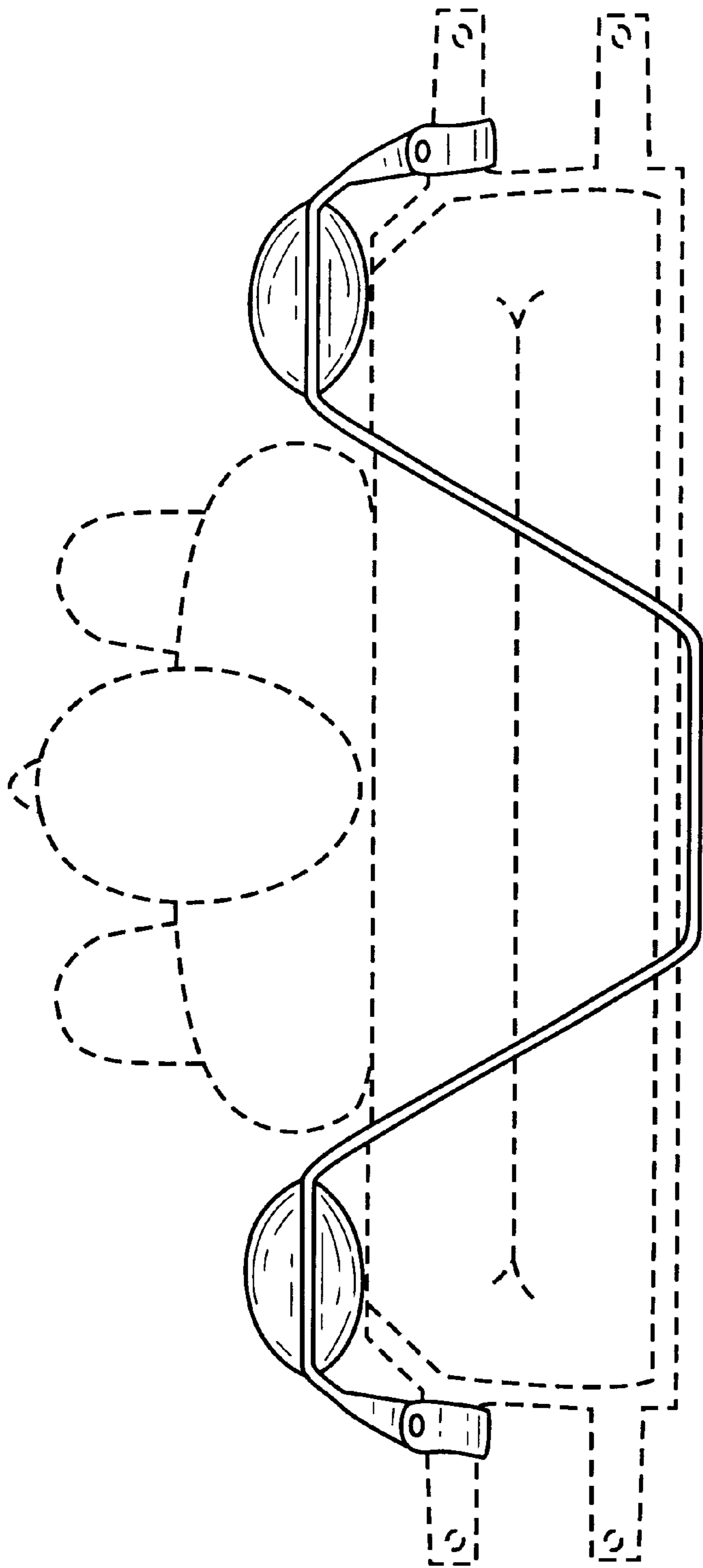


FIG. 3

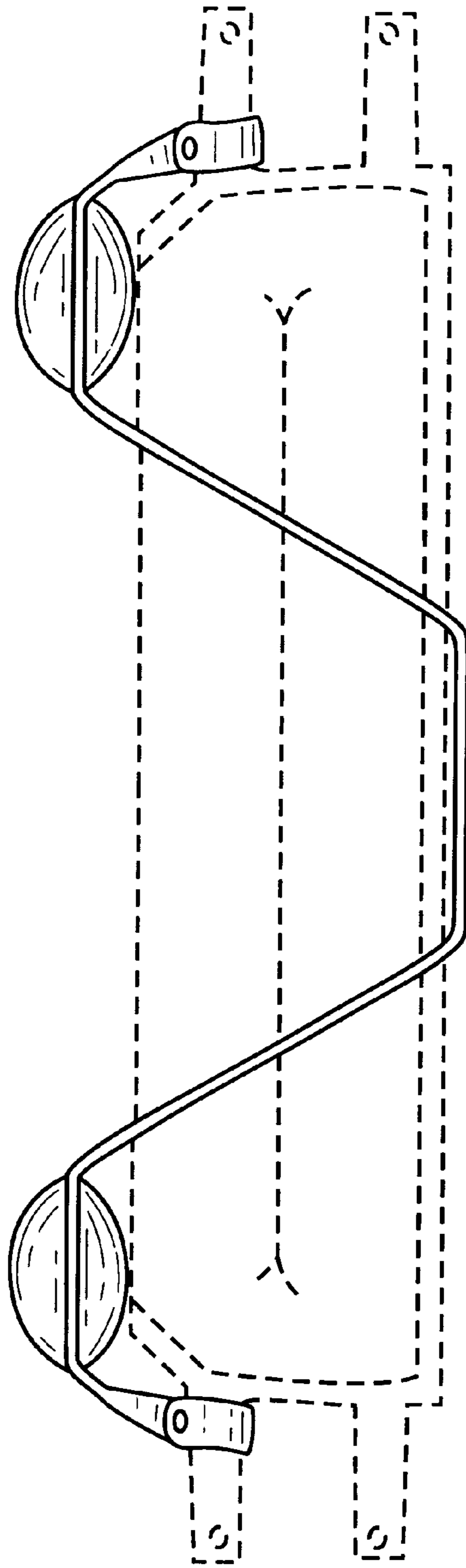


FIG. 4

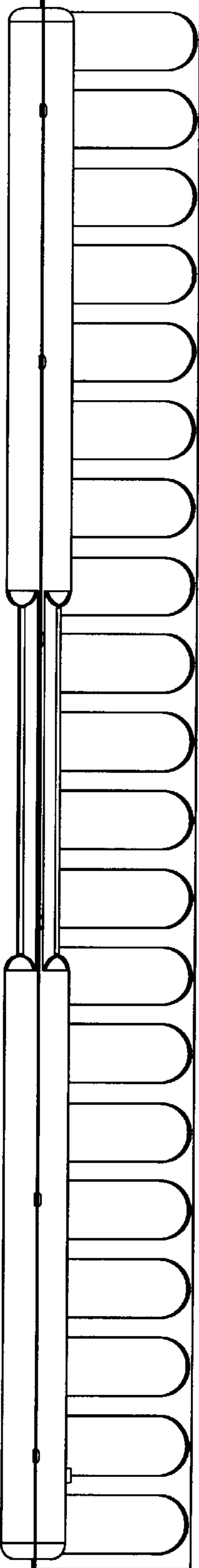


FIG. 5

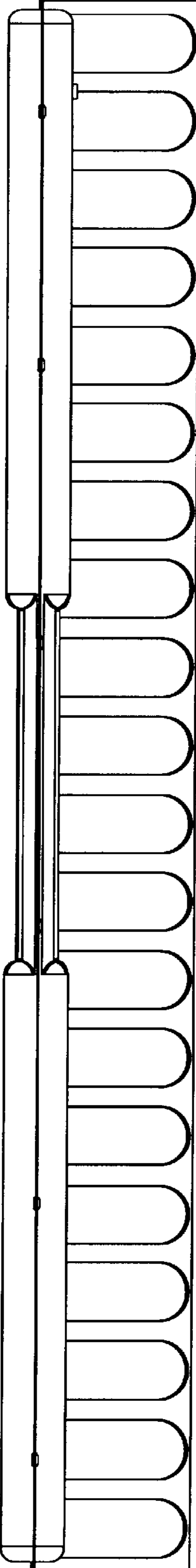


FIG. 6

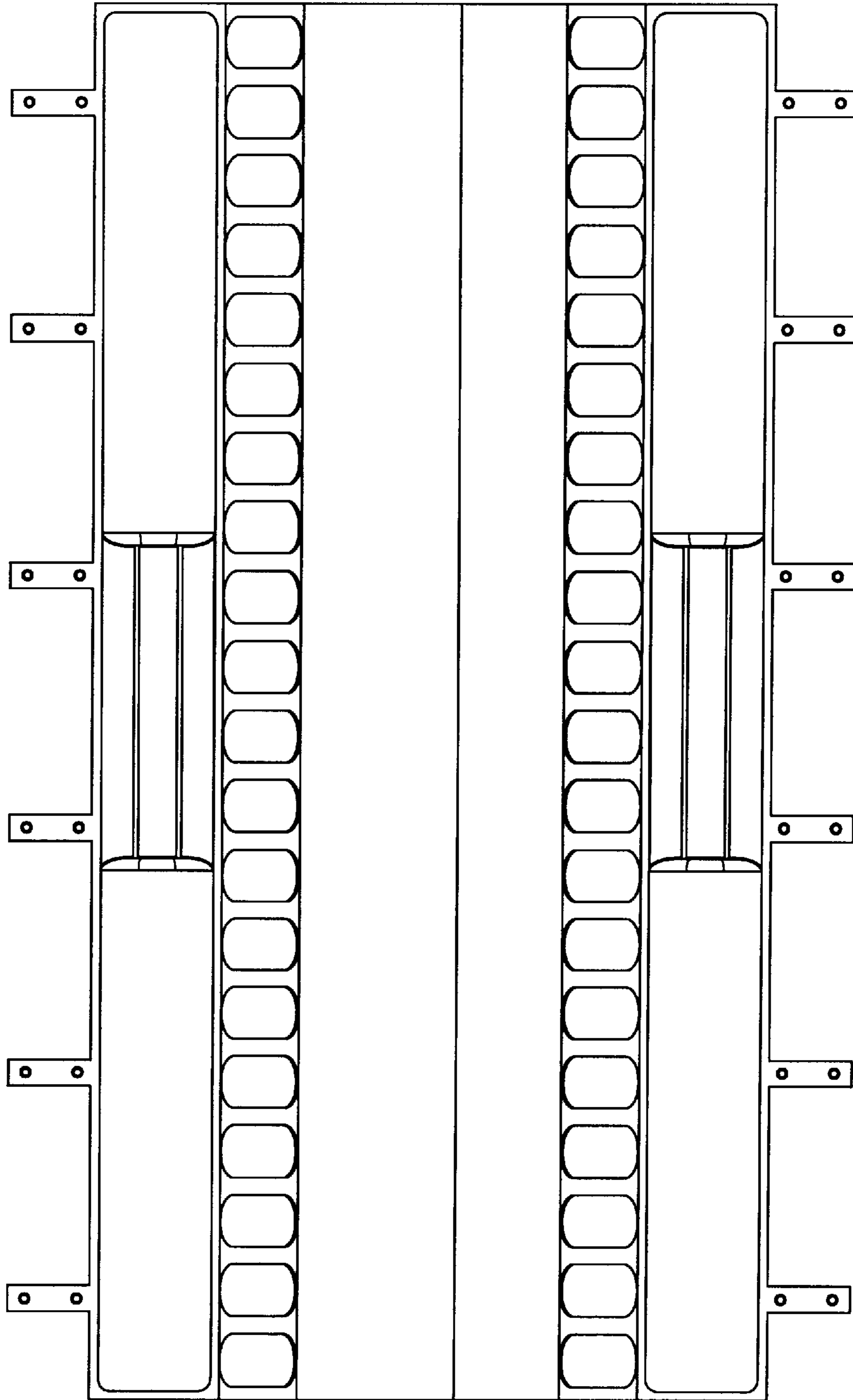


FIG. 7

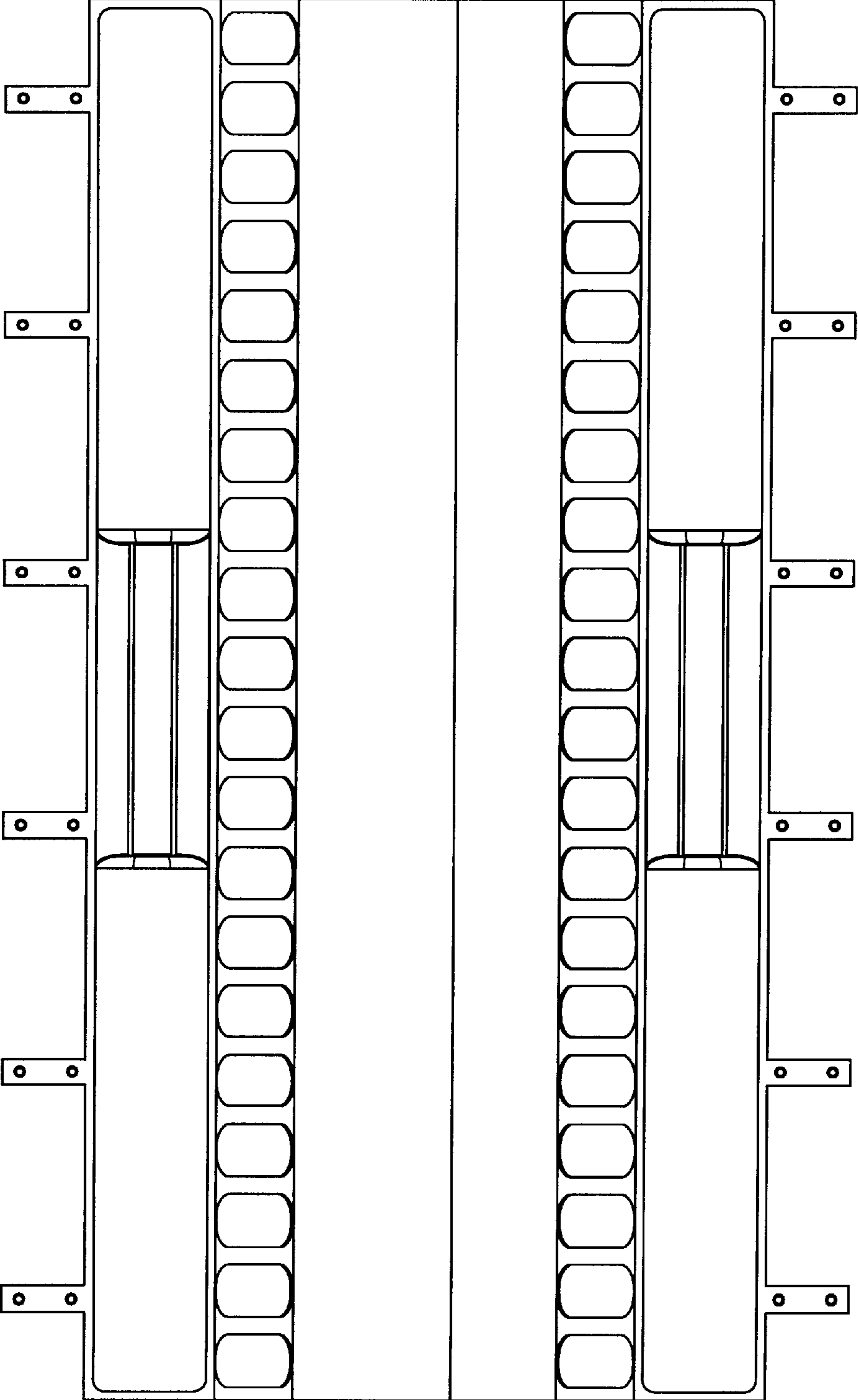


FIG. 8