



US00D529744S

(12) **United States Design Patent**
Murray

(10) **Patent No.:** **US D529,744 S**

(45) **Date of Patent:** **** Oct. 10, 2006**

(54) **WALL MOUNTABLE SUPPORT**

(75) Inventor: **Stephen Gardner Murray**, Brooklyn, NY (US)

(73) Assignee: **Kohler Co.**, Kohler, WI (US)

(**) Term: **14 Years**

(21) Appl. No.: **29/236,097**

(22) Filed: **Aug. 11, 2005**

(51) **LOC (8) Cl.** **06-04**

(52) **U.S. Cl.** **D6/550**

(58) **Field of Classification Search** D6/546-550,
D6/518-523; D8/300, 303, 315-321, 349,
D8/354, 363, 373, 380; 108/28-29; 211/13.1,
211/16, 60.1, 100, 86.01, 87.01, 88.01, 88.04,
211/105.1-105.2, 123, 182, 181.1; 248/175,
248/176.1, 251, 302, 309.1; 16/110.1, 412,
16/415; 242/570, 590, 595-598

See application file for complete search history.

(56) **References Cited**

U.S. PATENT DOCUMENTS

| | | | | | |
|------------|---|---------|----------------|-------|--------|
| D204,057 S | * | 3/1966 | Logan et al. | | D8/363 |
| D418,345 S | * | 1/2000 | Chen | | D6/550 |
| D448,593 S | * | 10/2001 | Harvey | | D6/550 |
| D463,934 S | * | 10/2002 | Gilbert et al. | | D6/549 |
| D477,730 S | | 7/2003 | Hoernig | | |
| D492,870 S | * | 7/2004 | Graves et al. | | D6/549 |

OTHER PUBLICATIONS

Kohler catalog p. 3-5, IV Georges Brass, Accessories.
Website page for faucetdirect.com, Ginger, Barcelona series,
Accessory Robe Hook. Best available picture, please refer to
website if necessary.

* cited by examiner

Primary Examiner—Brian N Vinson

(74) *Attorney, Agent, or Firm*—Quarles & Brady LLP

(57) **CLAIM**

The ornamental design for a wall mountable support, as shown and described.

DESCRIPTION

In a preferred embodiment, the nature of this product is a wall mountable support such as can be used with a robe hook and a vertically oriented toilet paper holder.

FIG. 1 is a left, top, front perspective view of a wall mountable support according to my new design;

FIG. 2 is a front elevational view thereof;

FIG. 3 is a left side elevational view thereof, the right side elevational view thereof being a mirror image the left side shown;

FIG. 4 is a top plan view thereof;

FIG. 5 is a bottom plan view thereof;

FIG. 6 is a rear elevational view thereof;

FIG. 7 is a left, top, front perspective view of a wall mountable support according to another embodiment of my new design;

FIG. 8 is a front elevational view thereof;

FIG. 9 is a left side elevational view thereof, the right side elevational view thereof being a mirror image the left side shown;

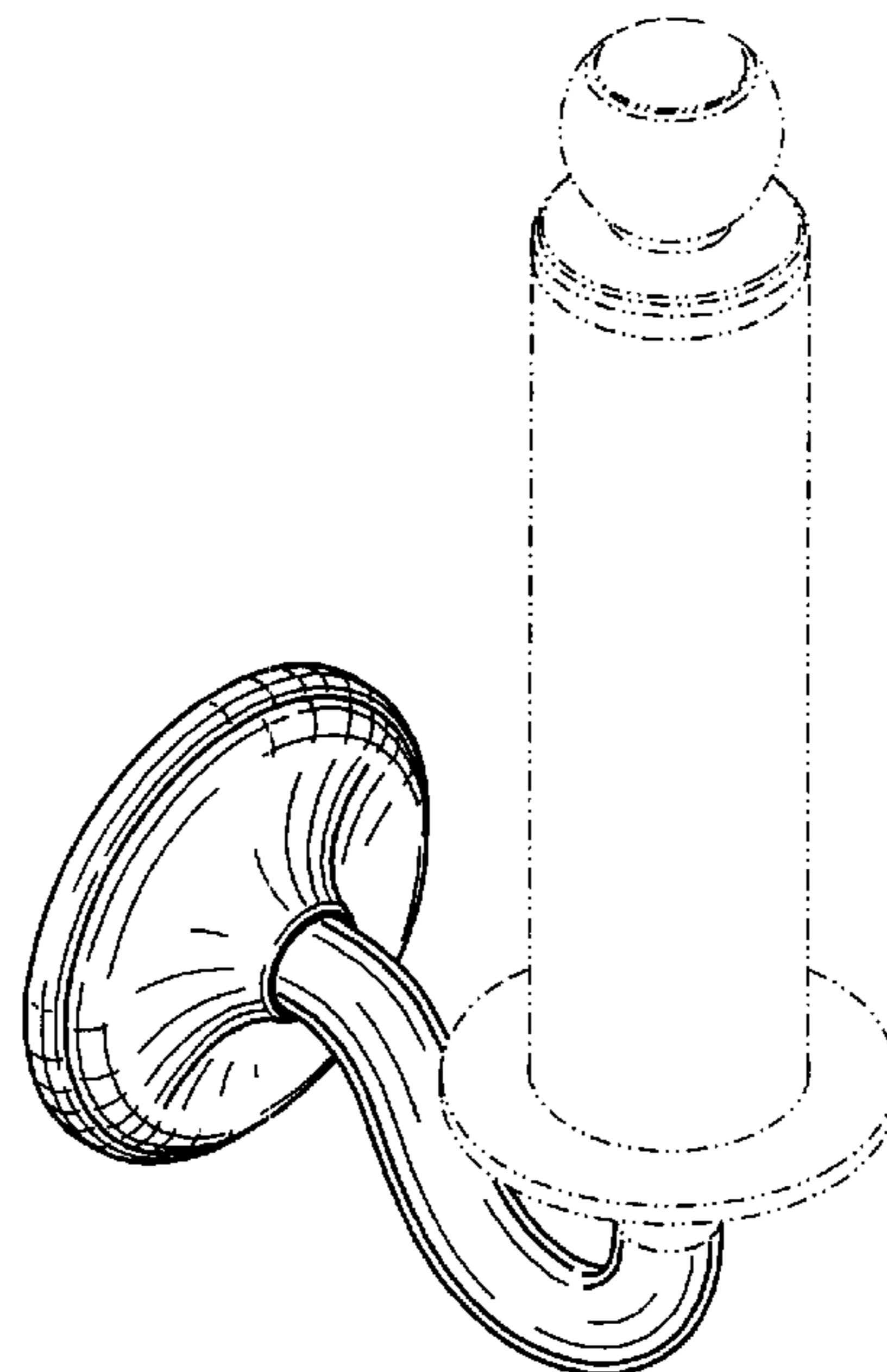
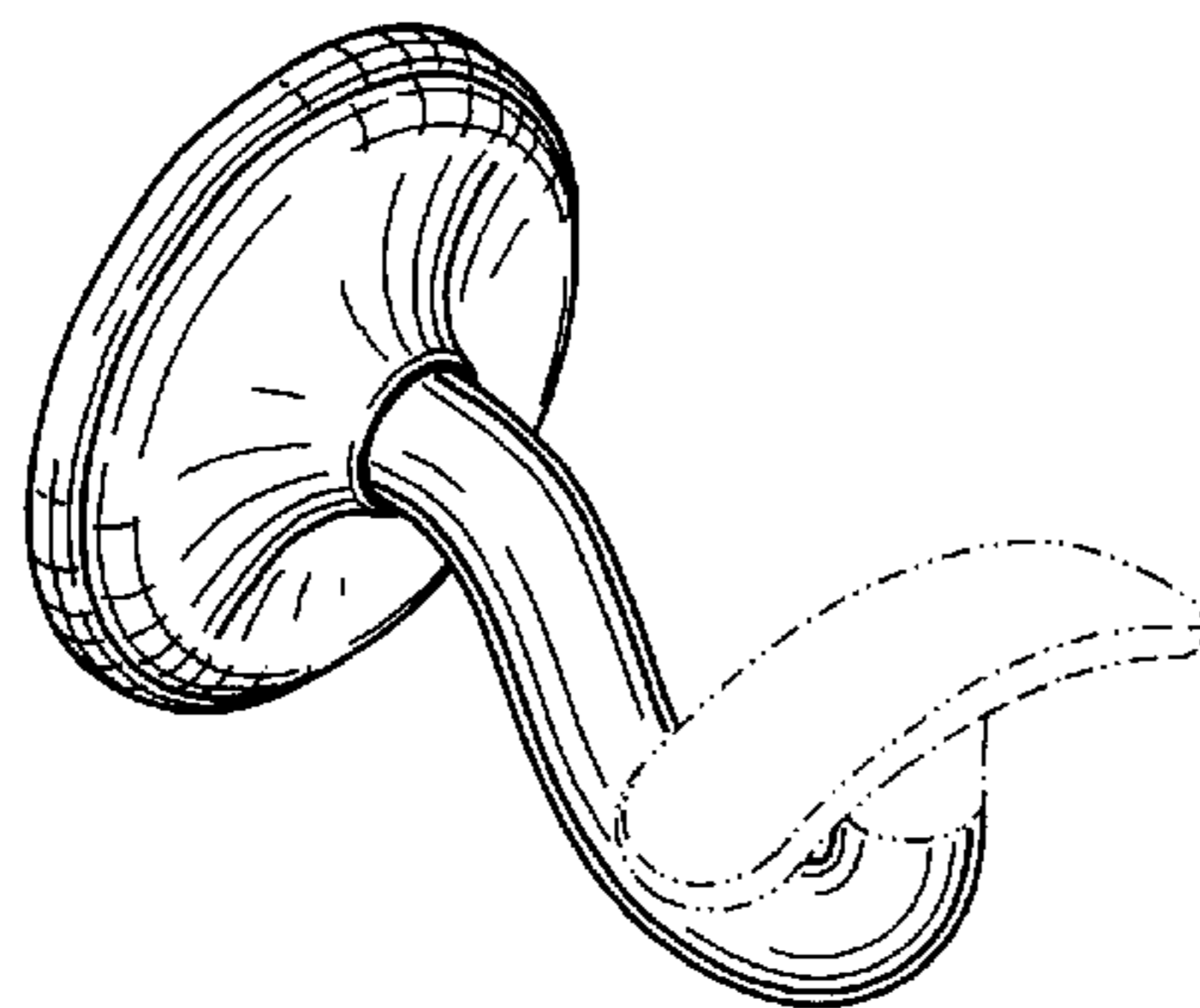
FIG. 10 is a top plan view thereof;

FIG. 11 is a bottom plan view thereof; and,

FIG. 12 is a rear elevational view thereof.

The broken line representations of bar environment in FIGS. 1-5, holder environment in FIGS. 7-12, and rear bracket structure in FIGS. 6 and 12 are for the purpose of illustration only, and form no part of the claimed design.

1 Claim, 5 Drawing Sheets



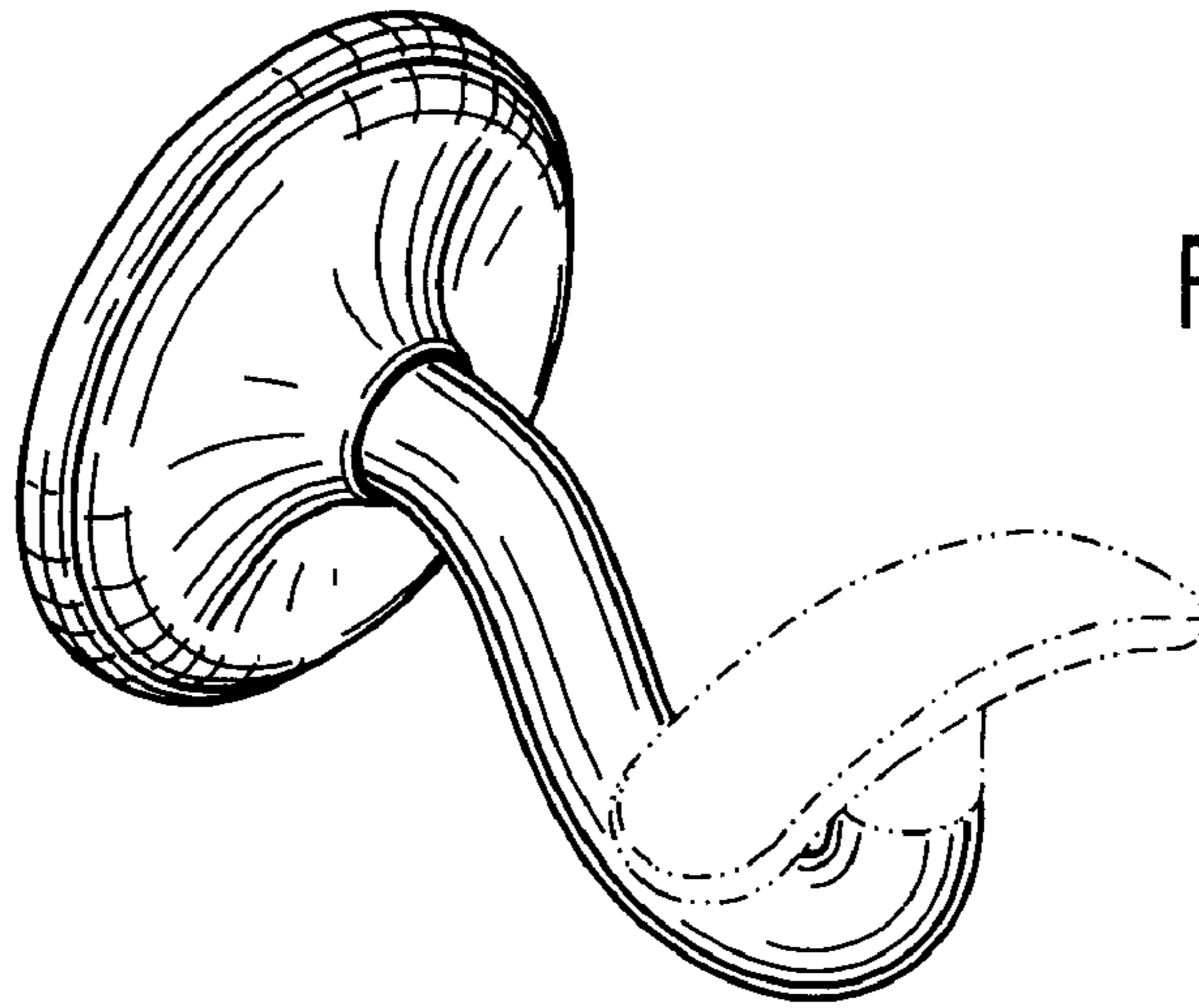


FIG. 1

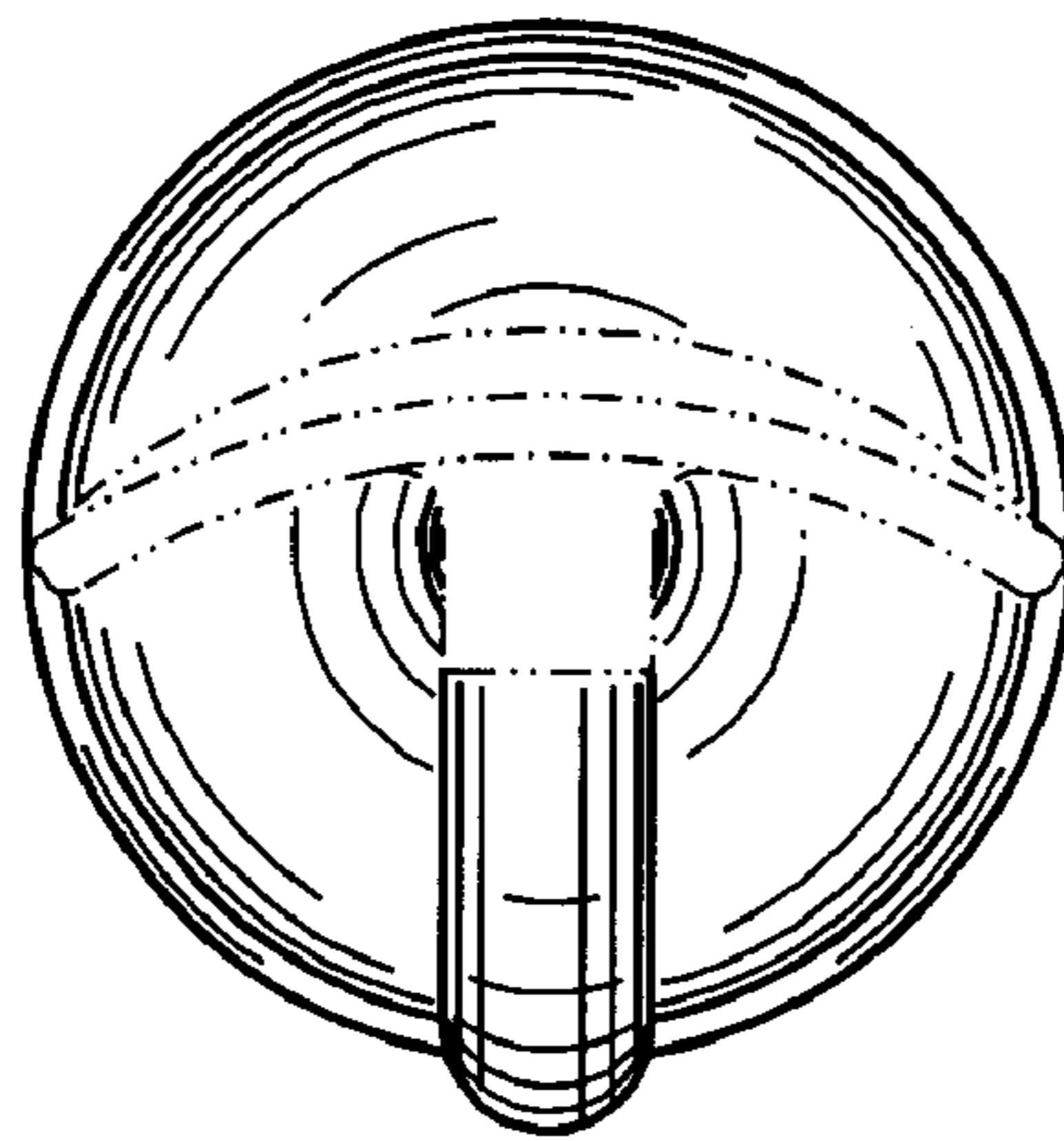


FIG. 2

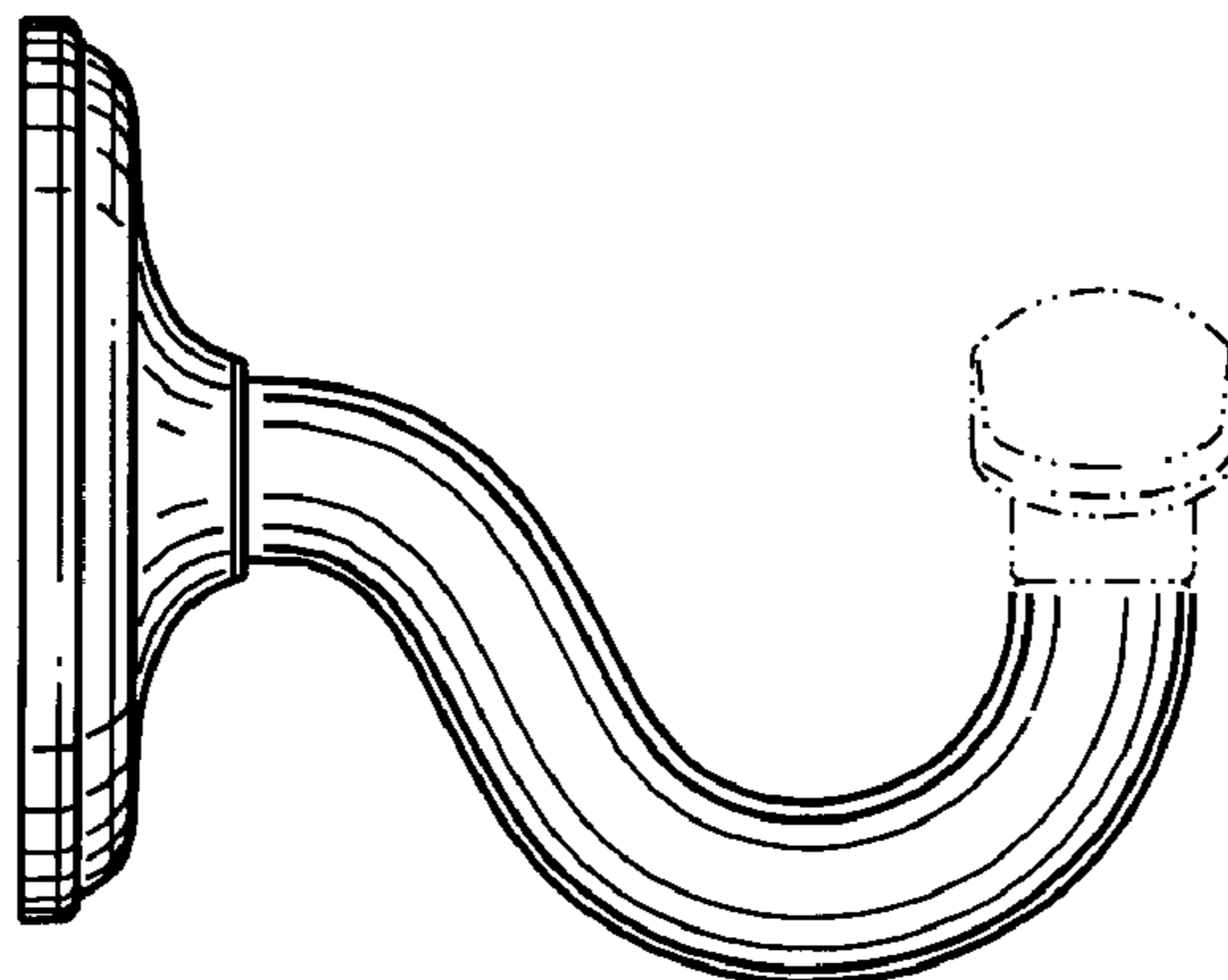


FIG. 3

FIG. 4

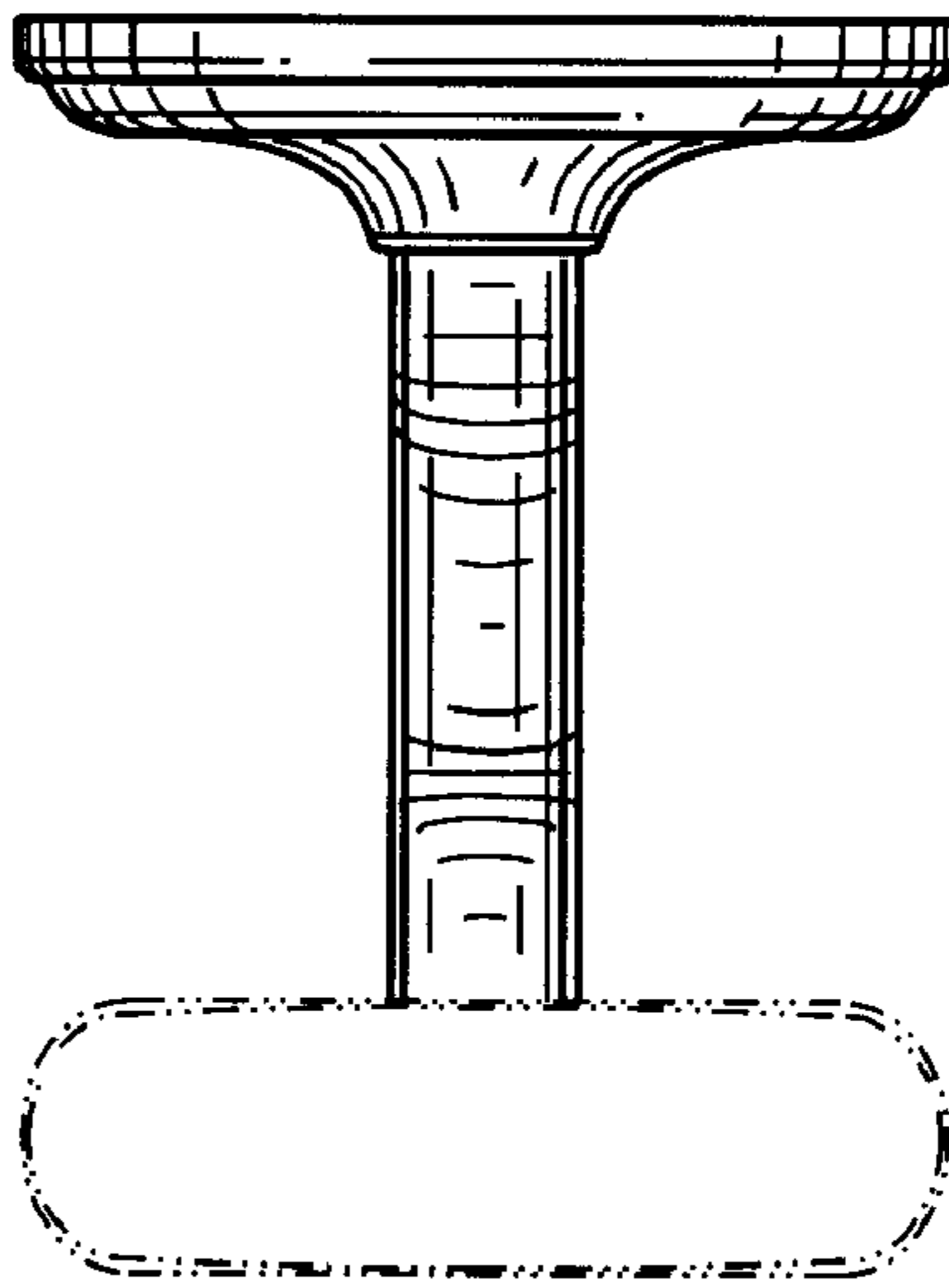


FIG. 5

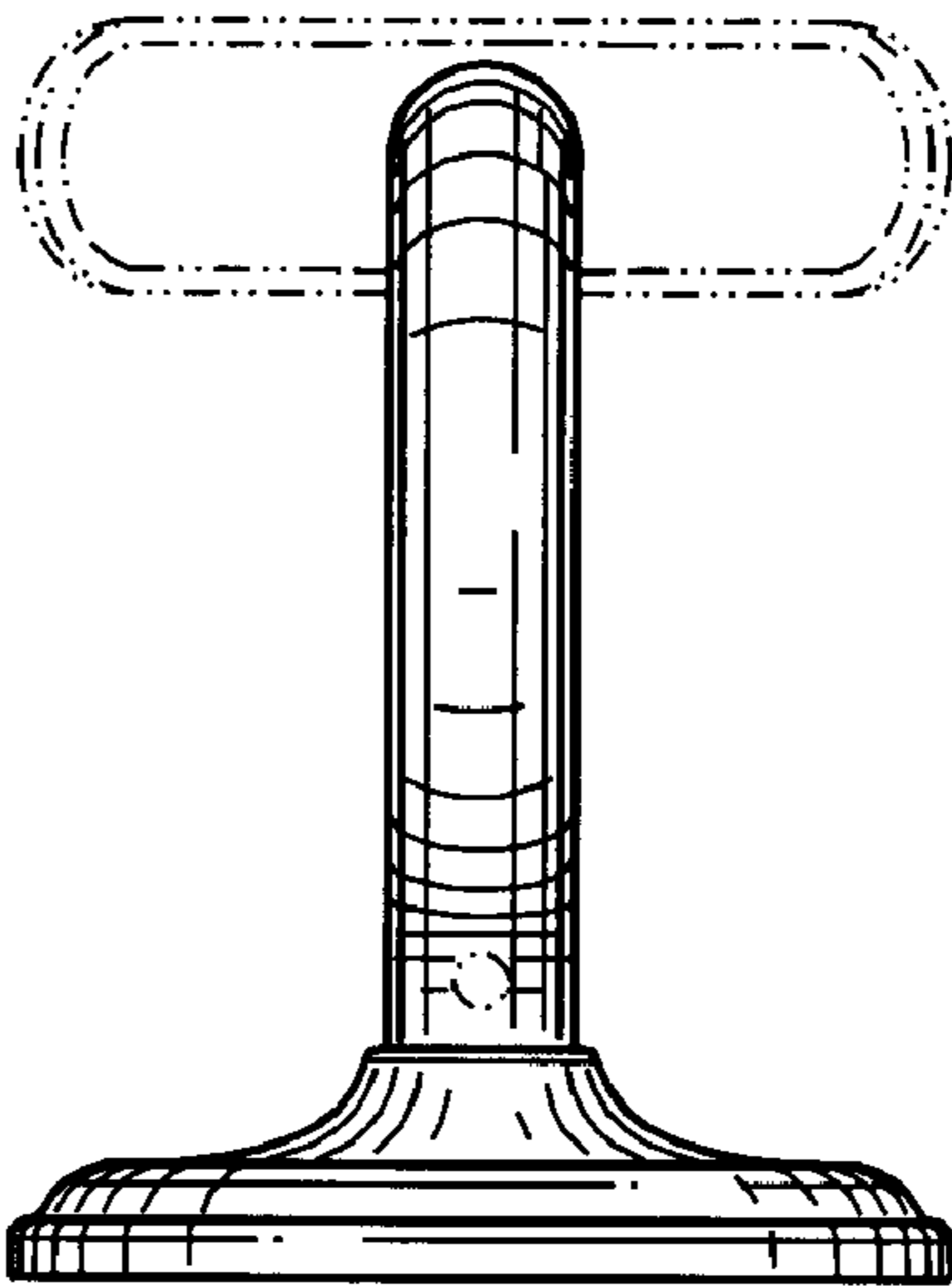


FIG. 6

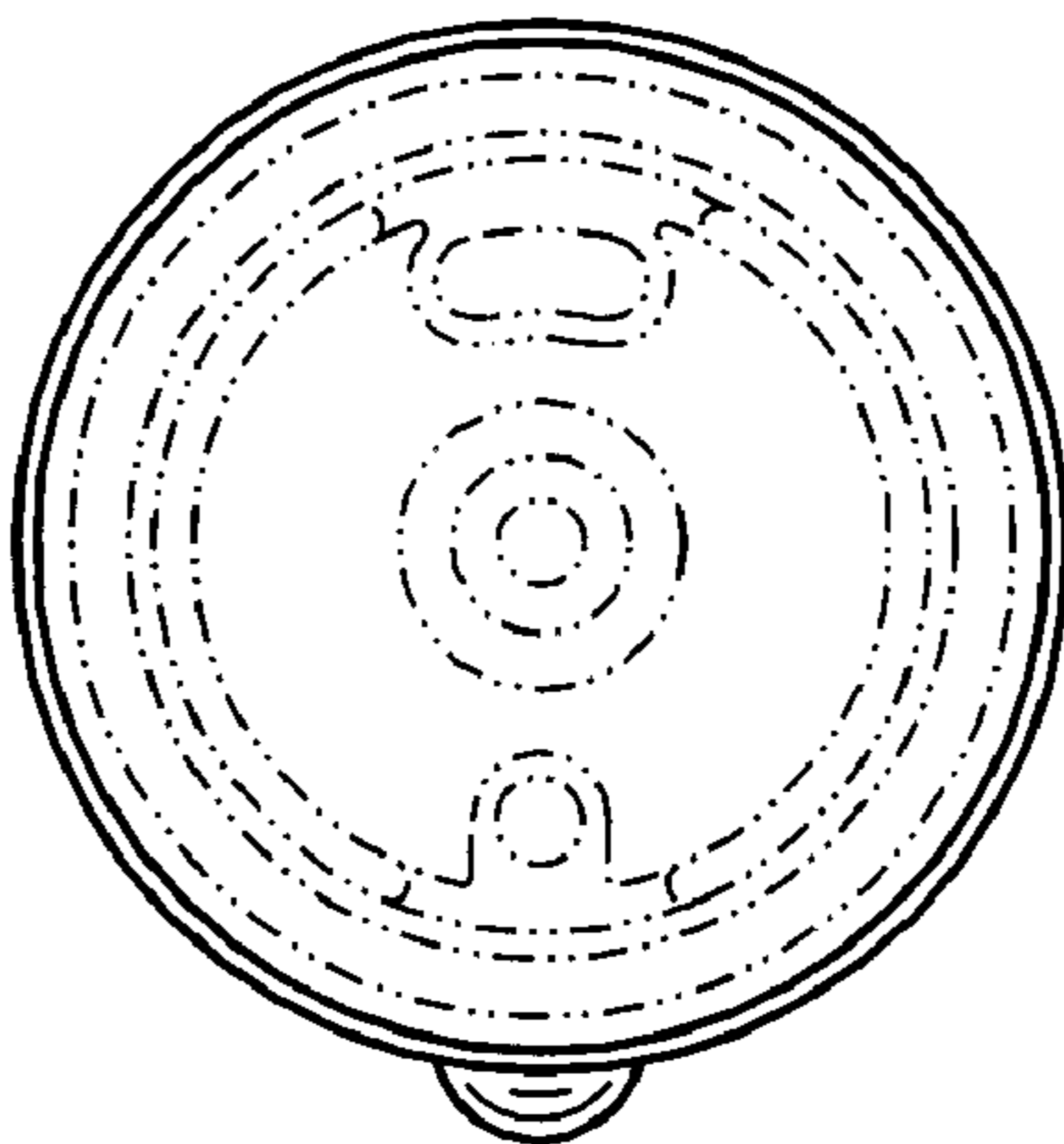


FIG. 7

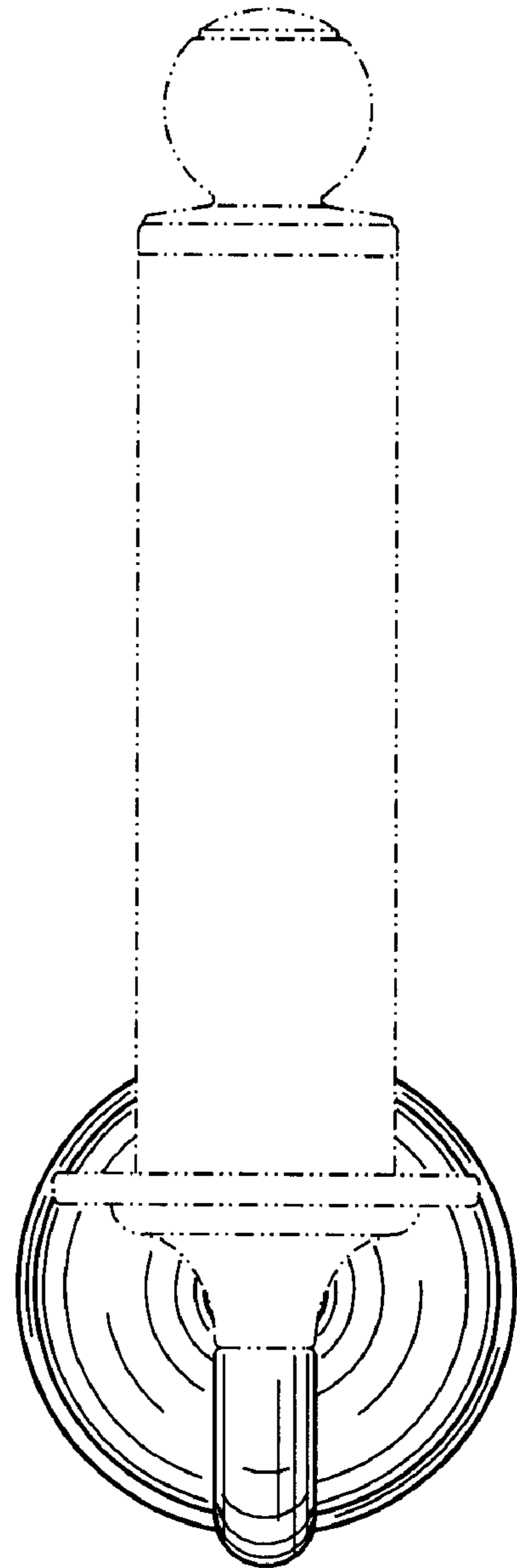
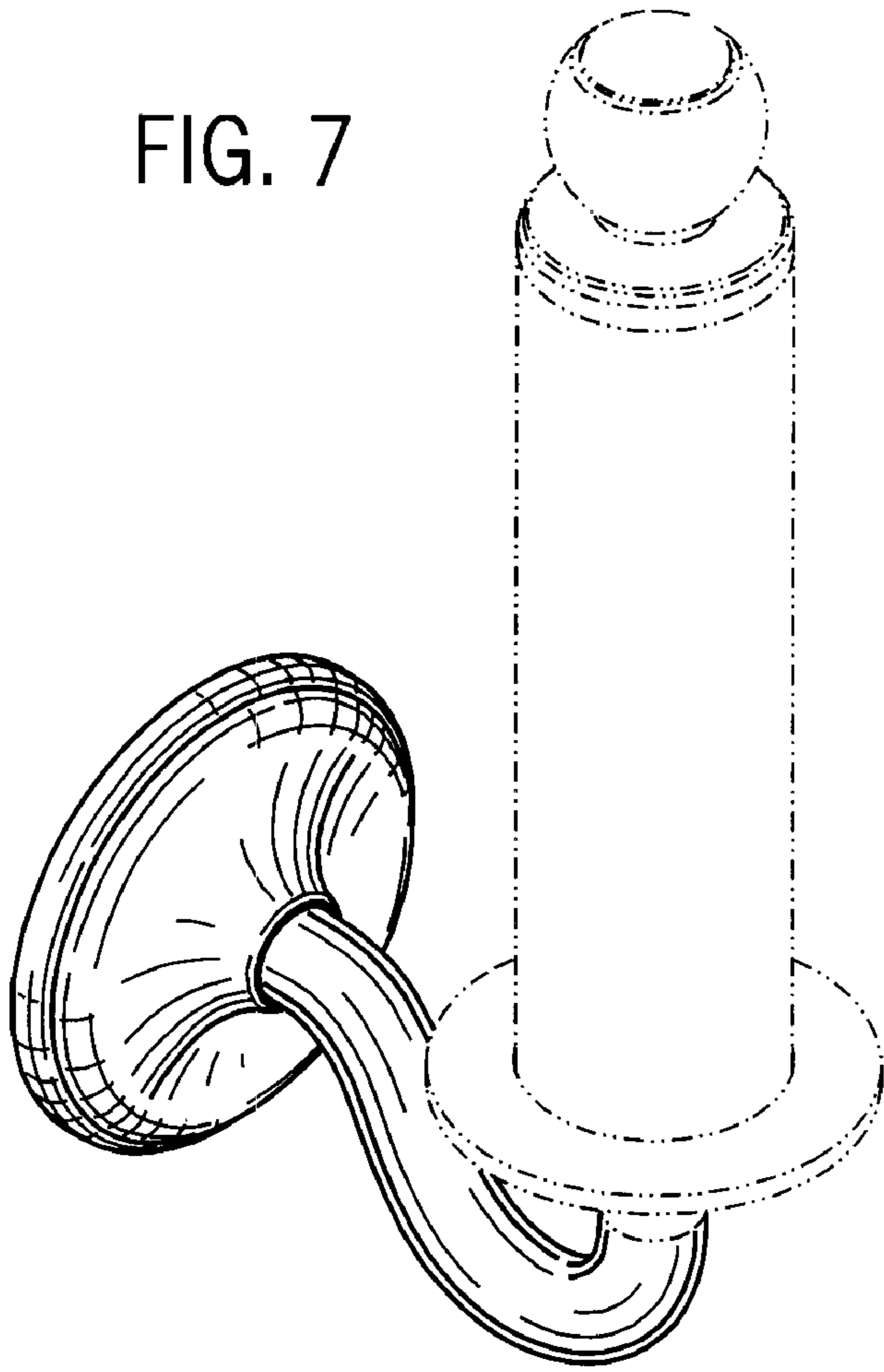


FIG. 8

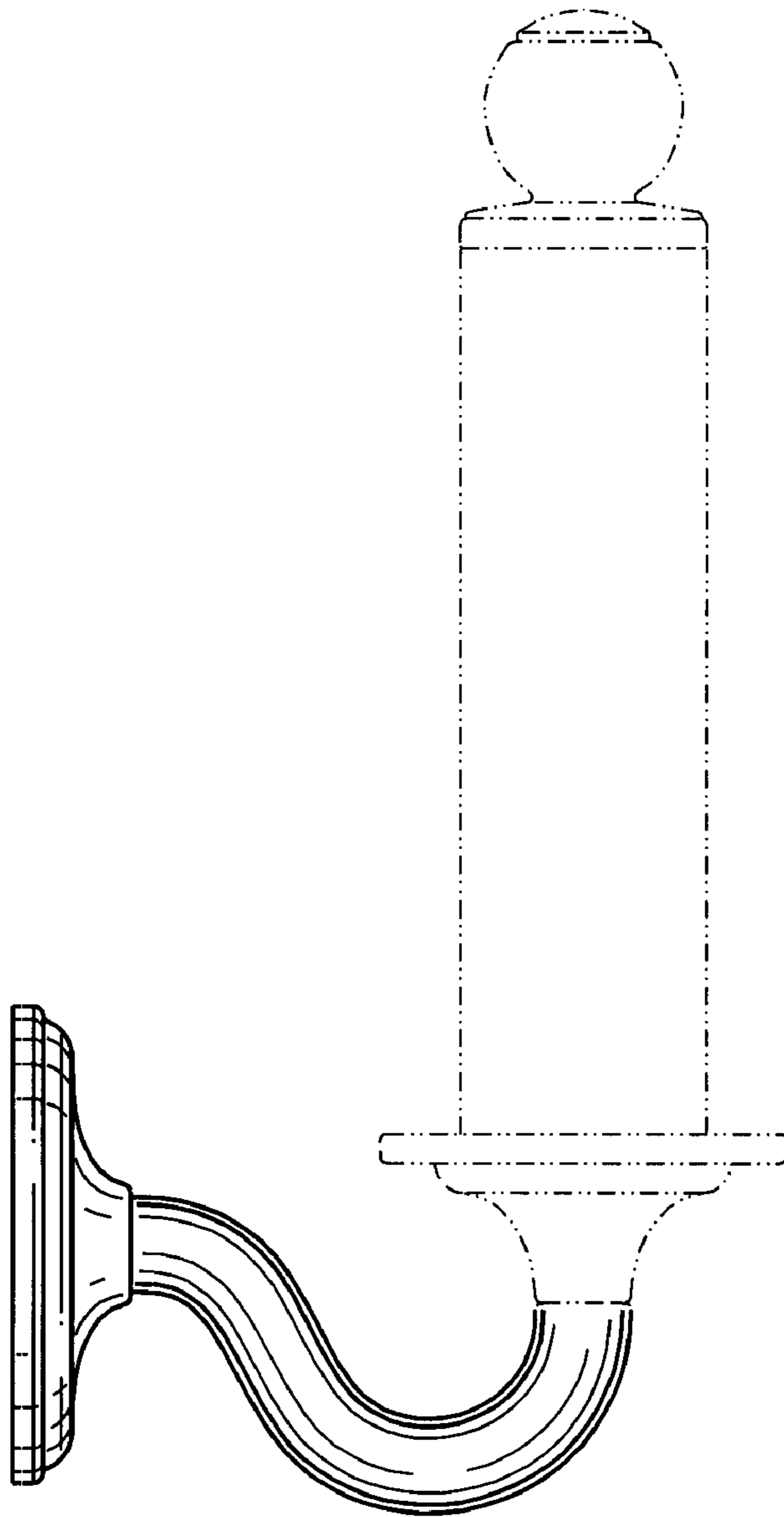


FIG. 9

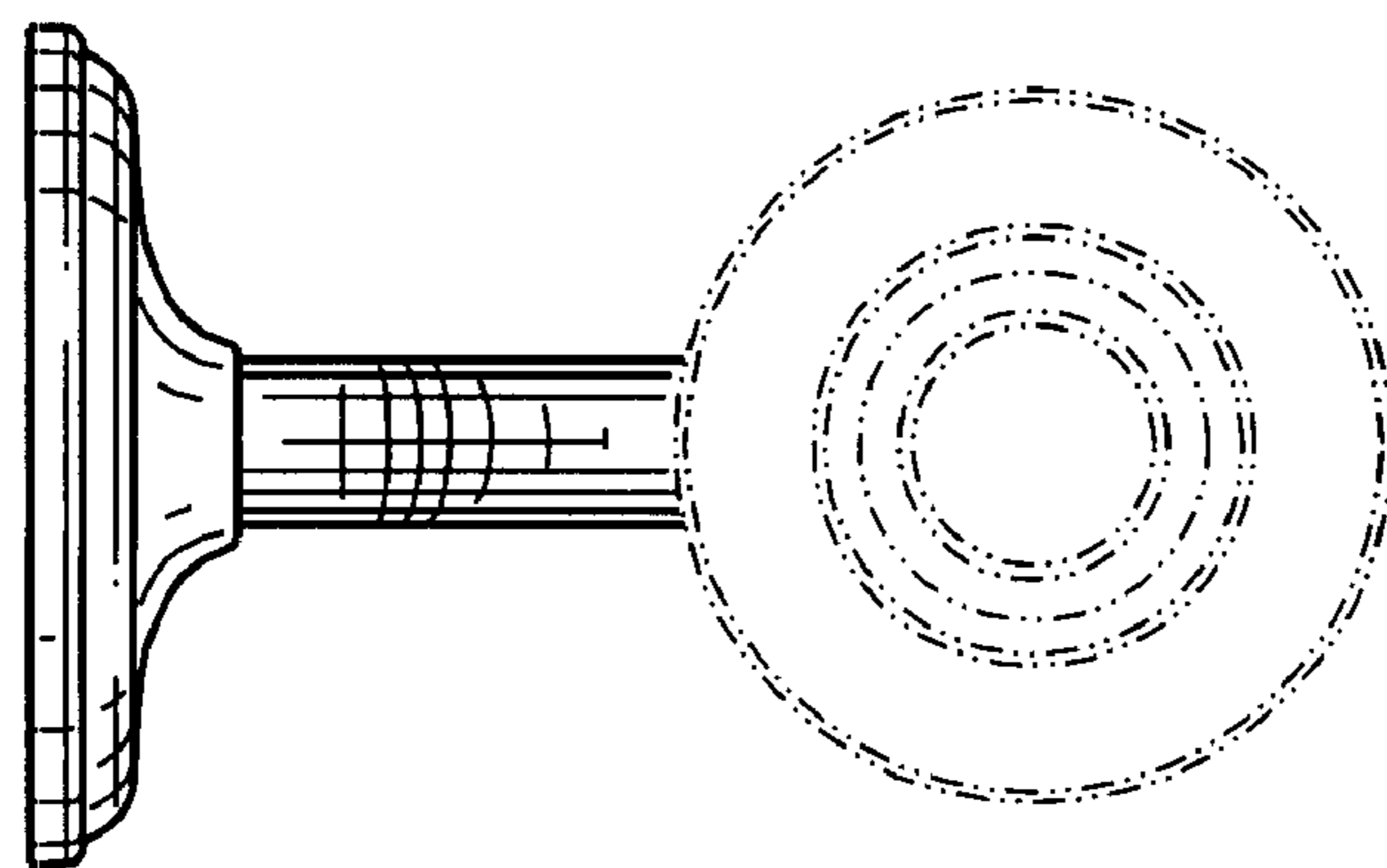


FIG. 10

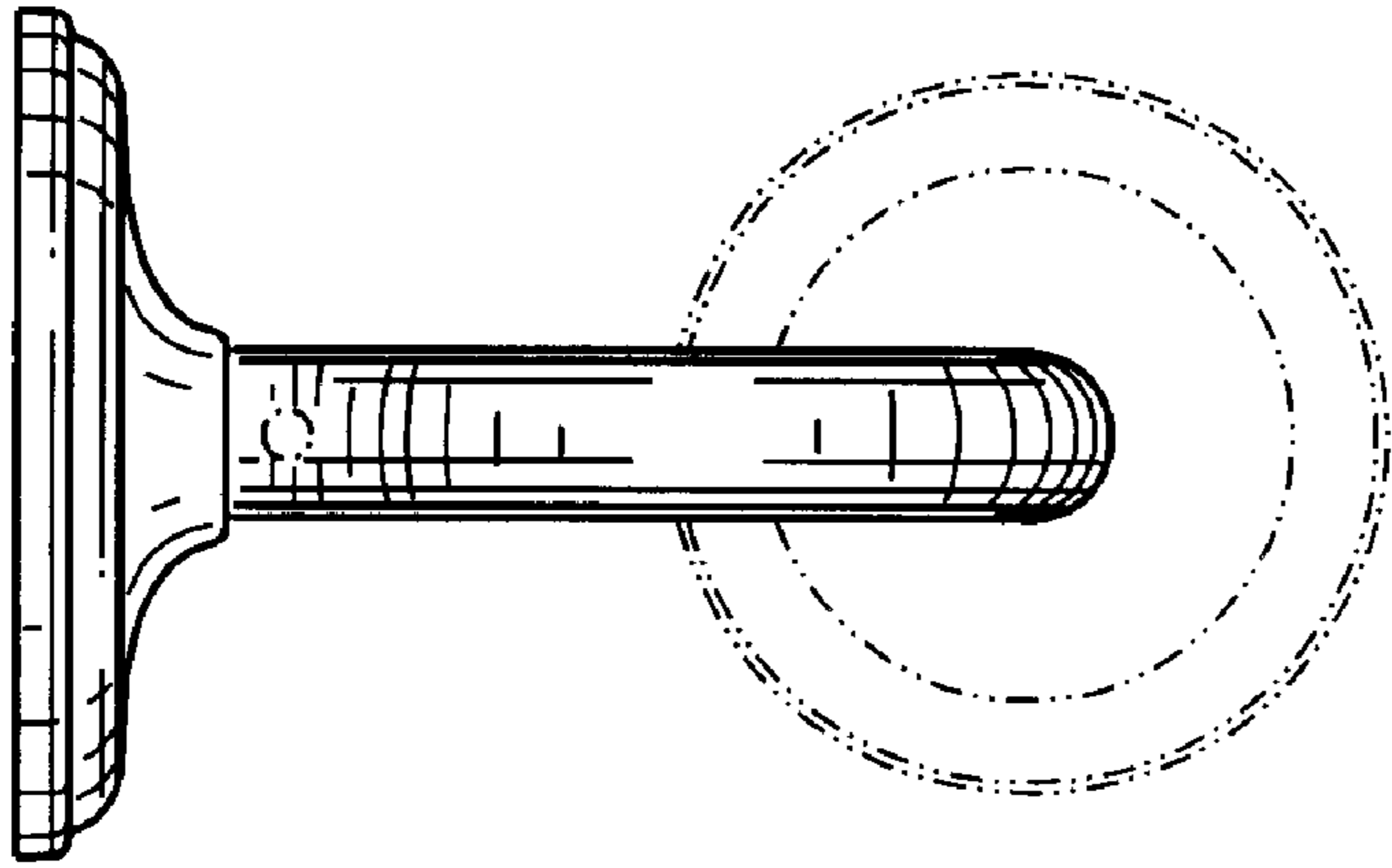


FIG. 11

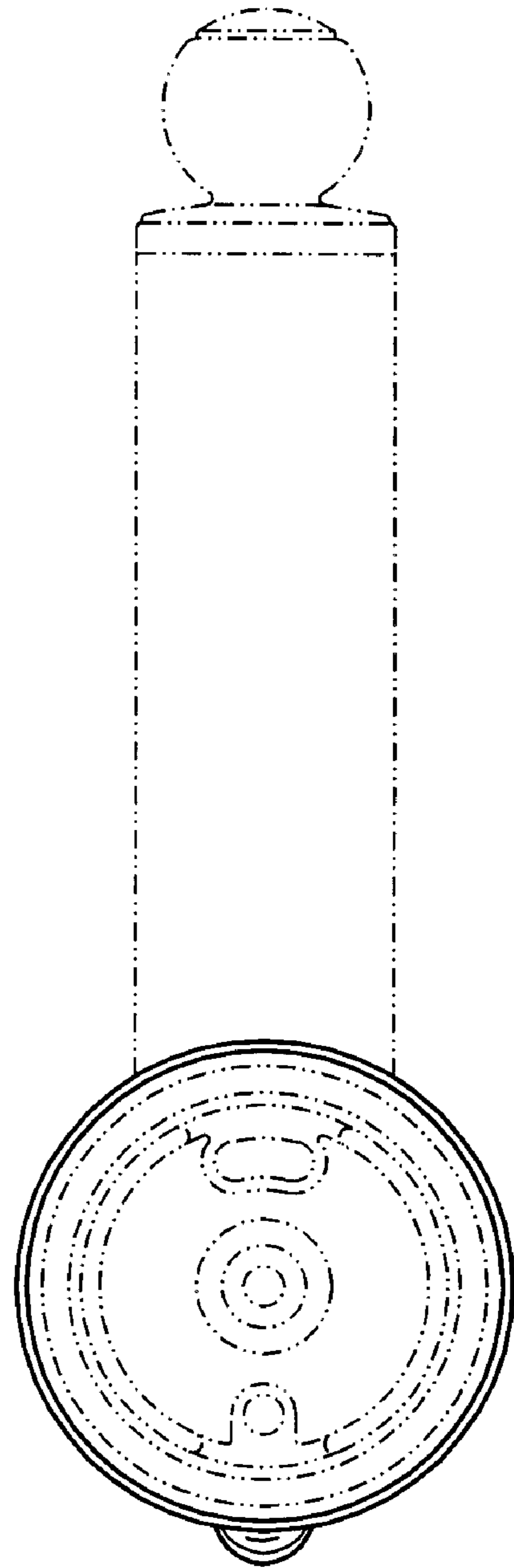


FIG. 12