

US00D529741S

(12) **United States Design Patent**
Hoernig

(10) **Patent No.:** **US D529,741 S**

(45) **Date of Patent:** **** Oct. 10, 2006**

(54) **TOWEL RING**

(75) Inventor: **Victor Hoernig**, Lowell, IN (US)

(73) Assignee: **Liberty Hardware Mfg. Corp.**,
Winston-Salem, NC (US)

(**) Term: **14 Years**

(21) Appl. No.: **29/218,960**

(22) Filed: **Dec. 9, 2004**

(51) **LOC (8) Cl.** **06-04**

(52) **U.S. Cl.** **D6/546**

(58) **Field of Classification Search** D6/546-550,
D6/518-519, 522-524; D8/300, 303, 315-321;
108/28-29; 211/13.1, 16, 60.1, 86.01, 87.01,
211/88.01, 88.04, 100, 105.1-105.2, 123,
211/181.1, 182; 248/175, 176.1, 251, 302;
16/110.1, 412, 415; 242/570, 590, 595-598
See application file for complete search history.

(56) **References Cited**

U.S. PATENT DOCUMENTS

4,907,771 A * 3/1990 Wang 248/251
D357,378 S * 4/1995 Lehn et al. D6/546

D398,176 S * 9/1998 Moore et al. D6/550
D409,032 S * 5/1999 Kuo D6/550
D450,509 S * 11/2001 Gottwald D6/546
D465,368 S * 11/2002 Moore D6/546
D477,735 S * 7/2003 Solowiej D6/546
D493,993 S * 8/2004 Roberts et al. D6/550
D505,819 S * 6/2005 Hoernig D6/546

* cited by examiner

Primary Examiner—Brian N Vinson

(74) *Attorney, Agent, or Firm*—Edgar A. Zarins; Lloyd D. Doigan

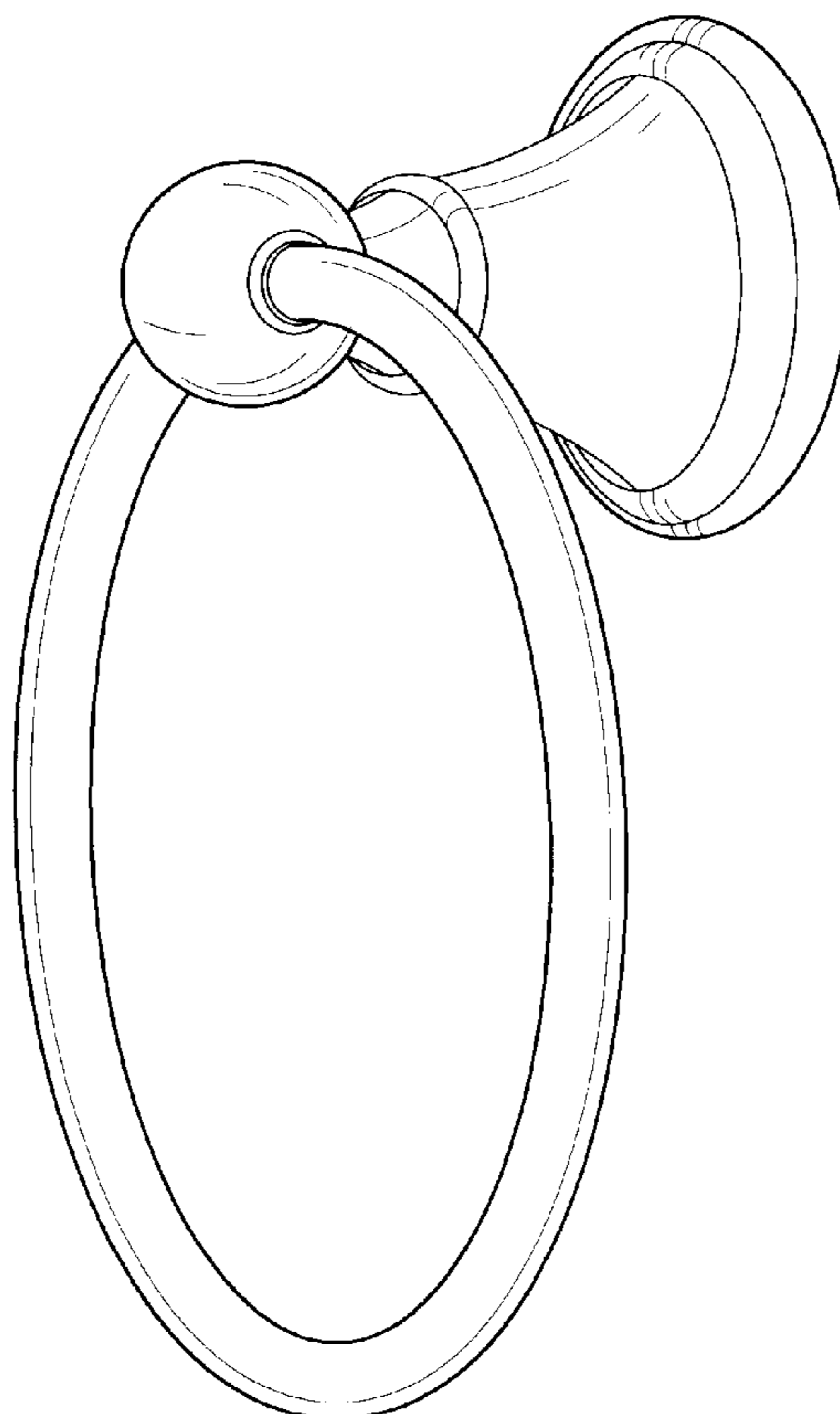
(57) **CLAIM**

The ornamental design for a towel ring, as shown and described.

DESCRIPTION

FIG. 1 is a perspective view of a towel ring showing my new design;
FIG. 2 is a top plan view thereof;
FIG. 3 is a left side view thereof, the opposite side being a mirror image of the side shown; and,
FIG. 4 is a front elevational view thereof.

1 Claim, 2 Drawing Sheets



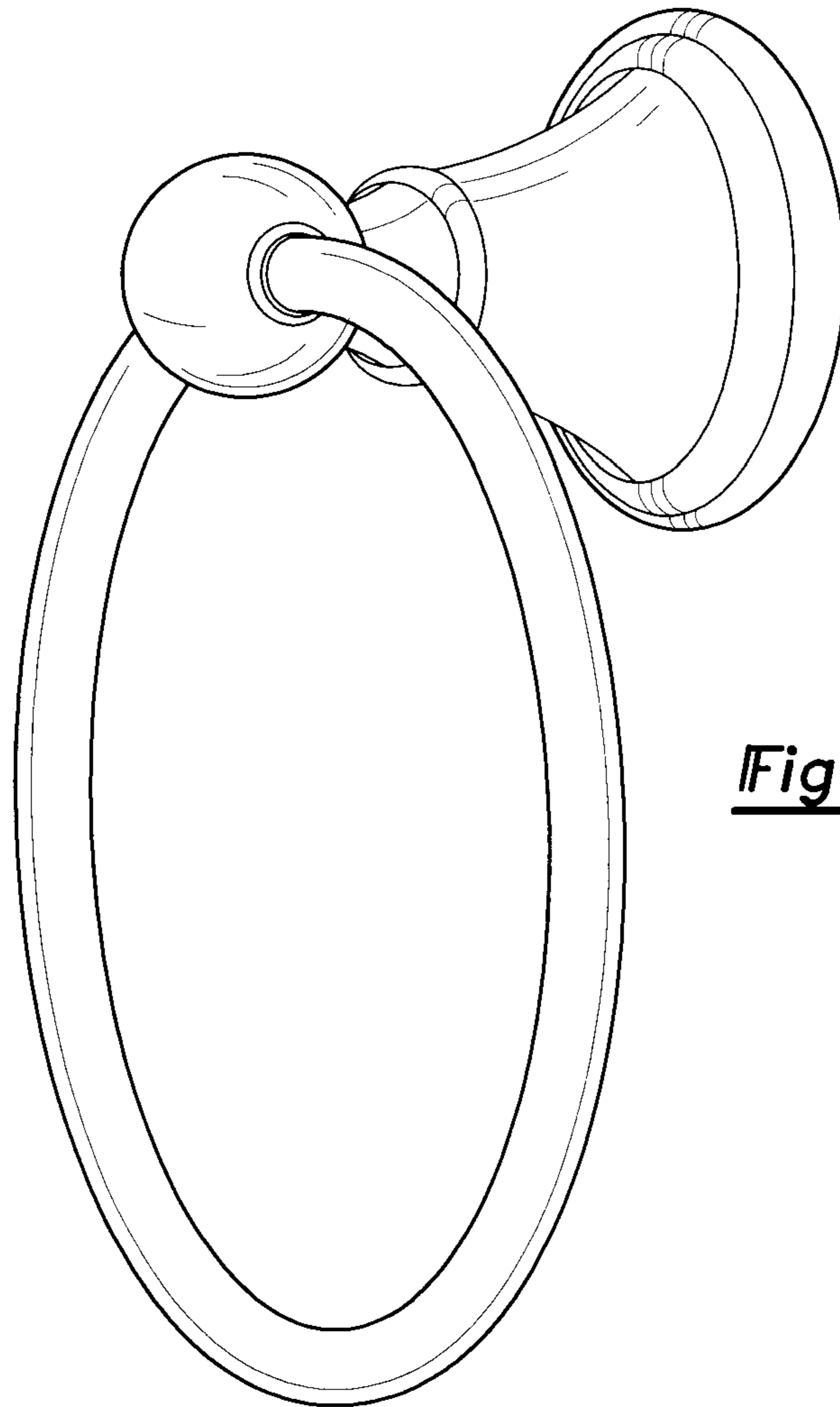


Fig-1

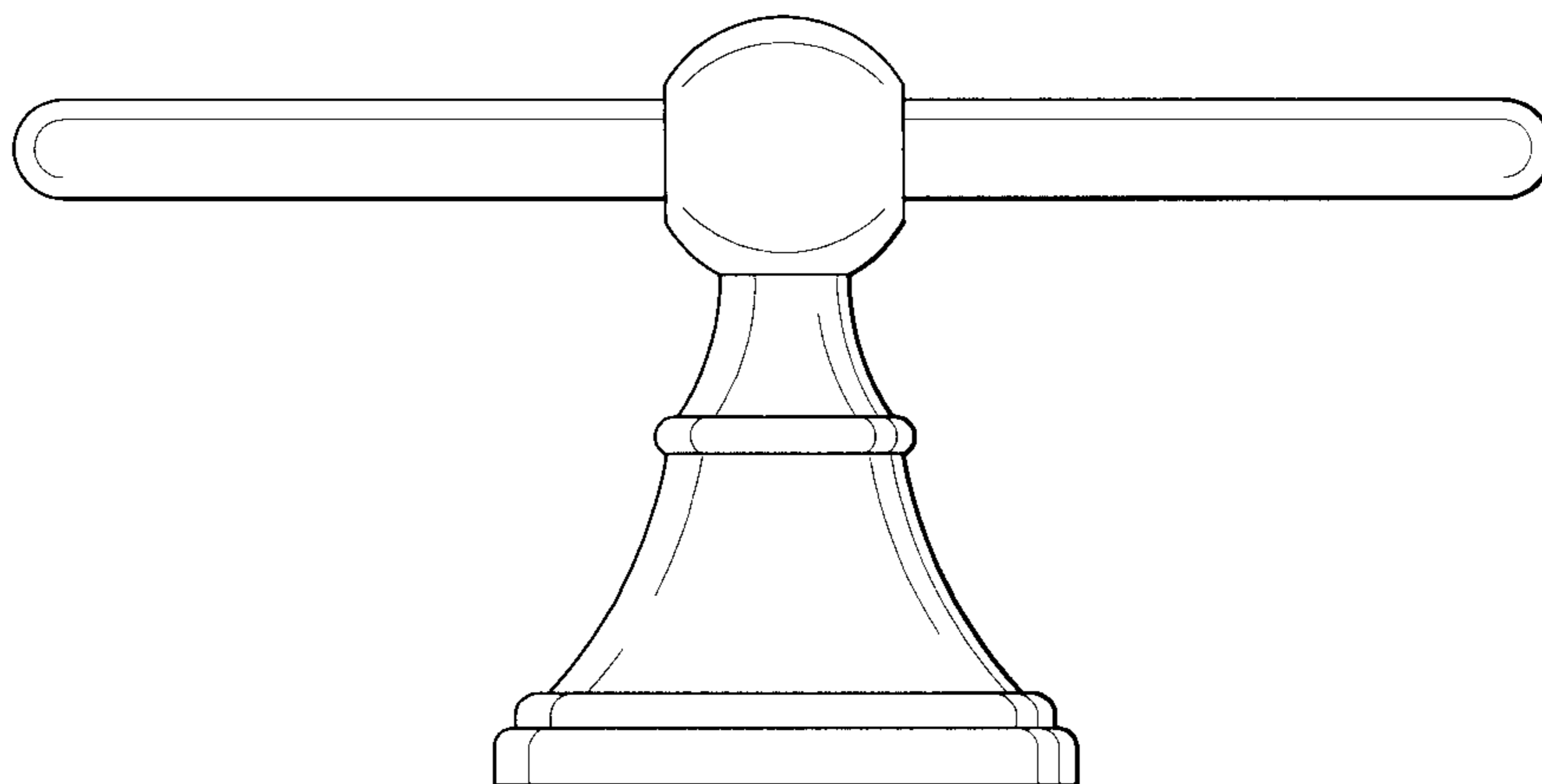


Fig-2

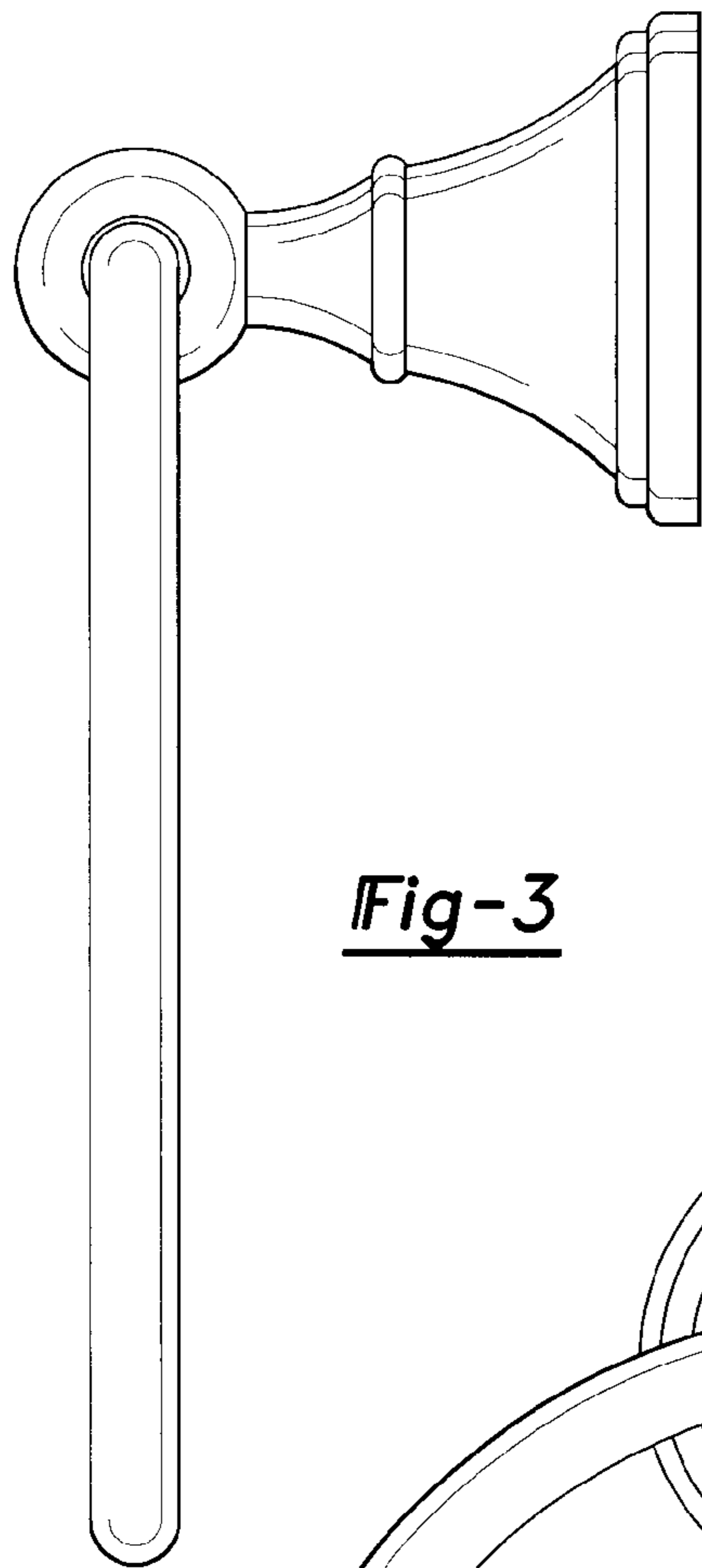


Fig-3

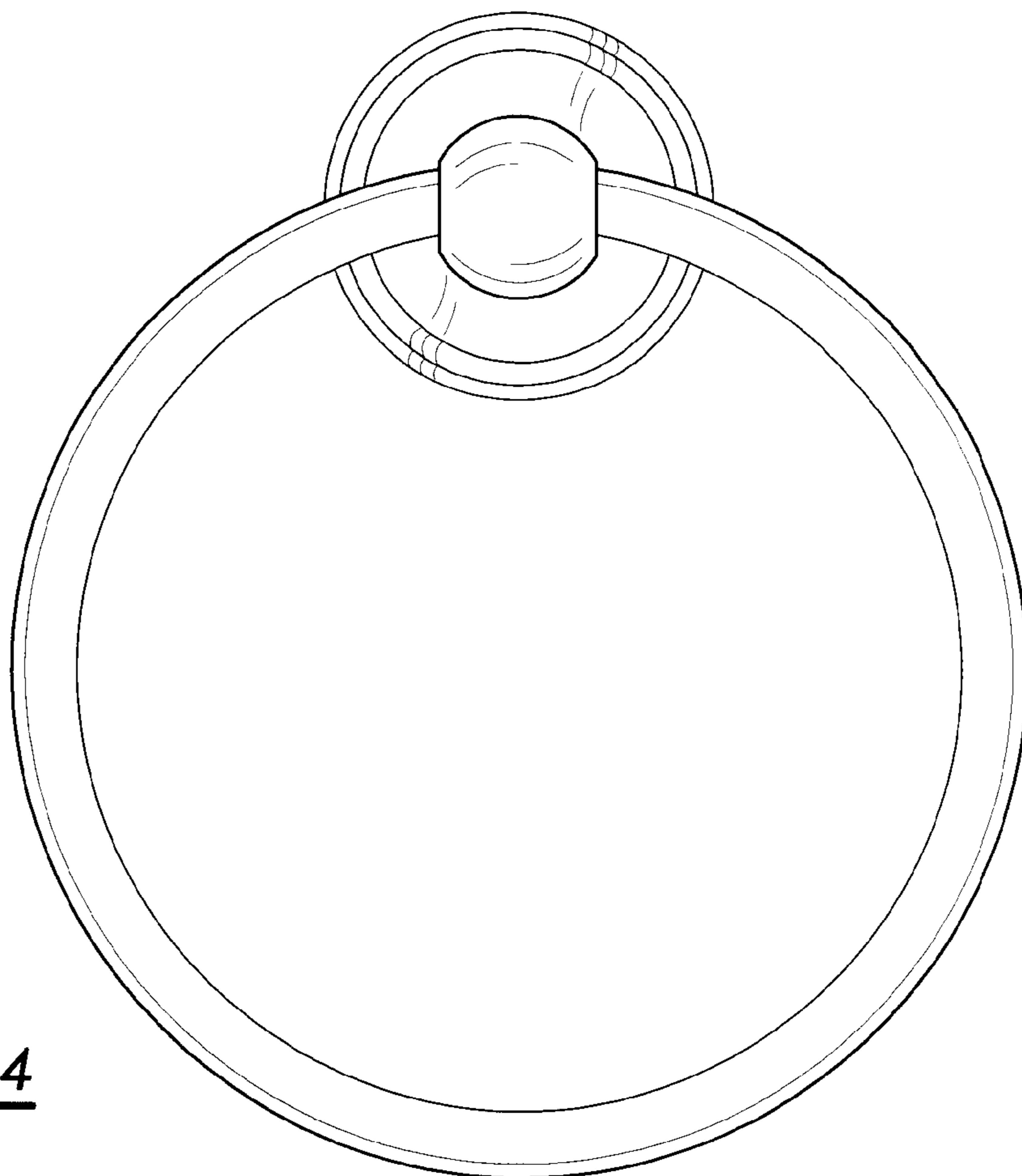


Fig-4