

US00D529740S

(12) **United States Design Patent**
Ophardt

(10) **Patent No.:** **US D529,740 S**

(45) **Date of Patent:** **** Oct. 10, 2006**

(54) **DISPENSER**

(75) Inventor: **Heiner Ophardt**, Vineland (CA)

(73) Assignee: **Gotohti. Com Inc.**, Beamsville (CA)

(**) Term: **14 Years**

(21) Appl. No.: **29/229,685**

(22) Filed: **May 11, 2005**

(51) **LOC (8) Cl.** **23-02**

(52) **U.S. Cl.** **D6/545**

(58) **Field of Classification Search** D6/542-545;
221/208, 282, 283; 222/105, 173, 180, 181.1,
222/181.2, 181.3

See application file for complete search history.

(56) **References Cited**

U.S. PATENT DOCUMENTS

D228,994 S	*	11/1973	Reinecke et al.	D6/545
D245,891 S	*	9/1977	Milbourne, Jr.	D6/545
4,164,306 A	*	8/1979	Perrin	222/181.2
D298,097 S	*	10/1988	Vogel et al.	D6/545
D321,453 S		11/1991	Ophardt		
D350,070 S		8/1994	Ophardt		

D350,665 S 9/1994 Ophardt

D378,035 S 2/1997 Ophardt

D444,978 S * 7/2001 Kauzlarich et al. D6/545

D452,099 S * 12/2001 Poitras et al. D6/545

D493,647 S 8/2004 Bowes

* cited by examiner

Primary Examiner—Brian N Vinson

(74) *Attorney, Agent, or Firm*—Riches, McKenzie & Herbert LLP

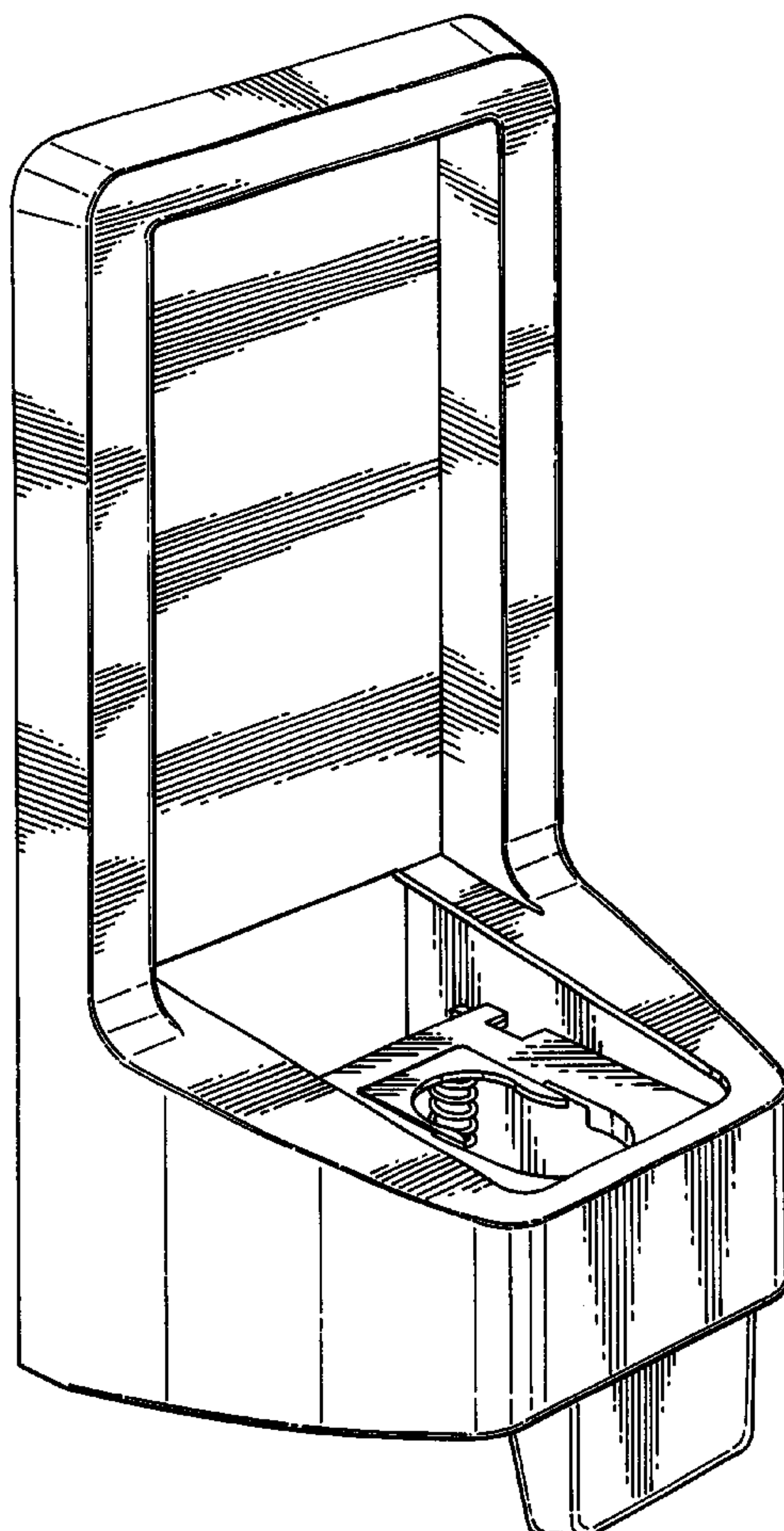
(57) **CLAIM**

I claim the ornamental design for a dispenser, as shown.

DESCRIPTION

FIG. 1 is a perspective view of a dispenser;
FIG. 2 is a front view of the dispenser of FIG. 1;
FIG. 3 is a right side view of the dispenser of FIG. 1;
FIG. 4 is a left side view of the dispenser of FIG. 1;
FIG. 5 is a back view of the dispenser of FIG. 1;
FIG. 6 is a top view of the dispenser of FIG. 1;
FIG. 7 is a bottom view of the dispenser of FIG. 1; and,
FIG. 8 is a perspective view of the dispenser of FIG. 1 with
broken lines illustrating environmental structure.

1 Claim, 5 Drawing Sheets



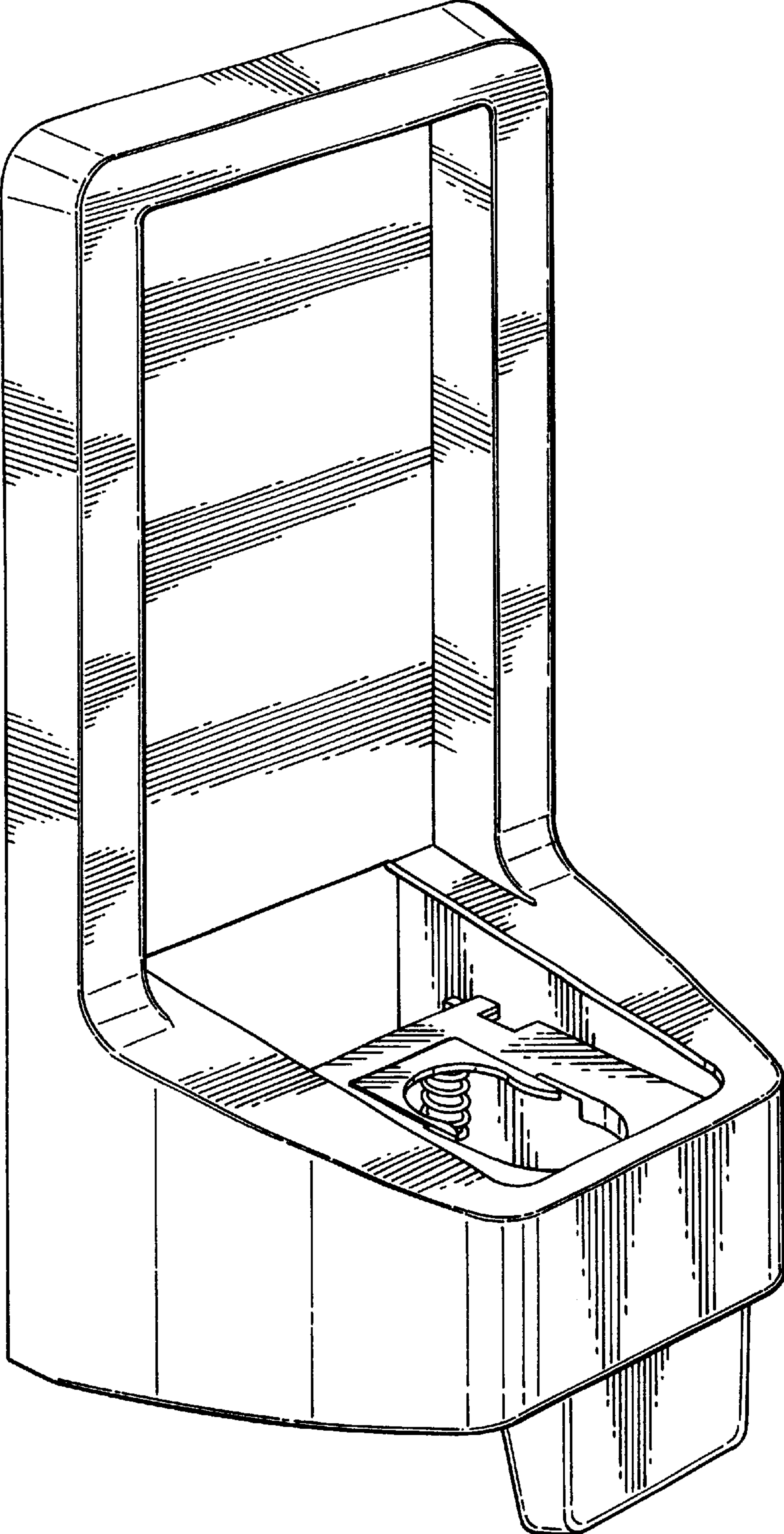


FIG. 1.

FIG. 2.

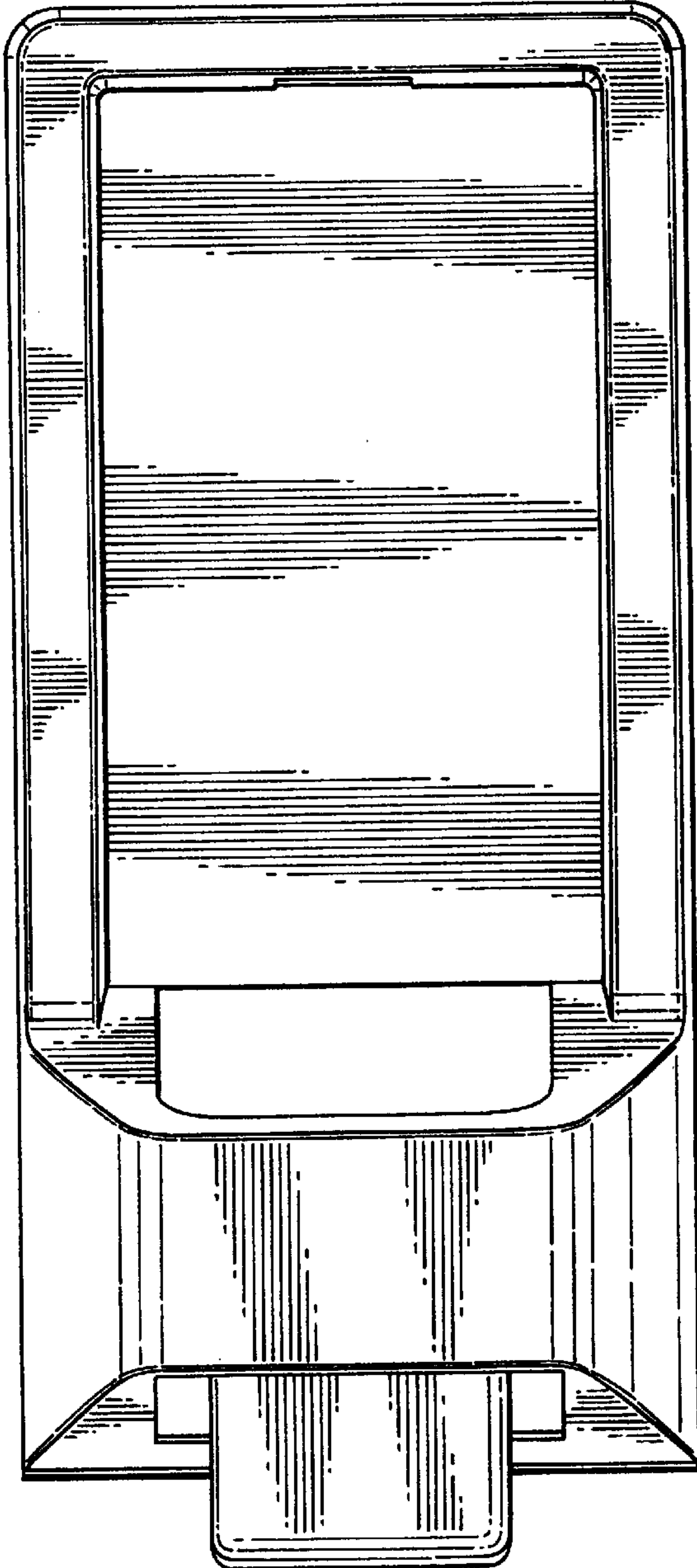


FIG. 3.

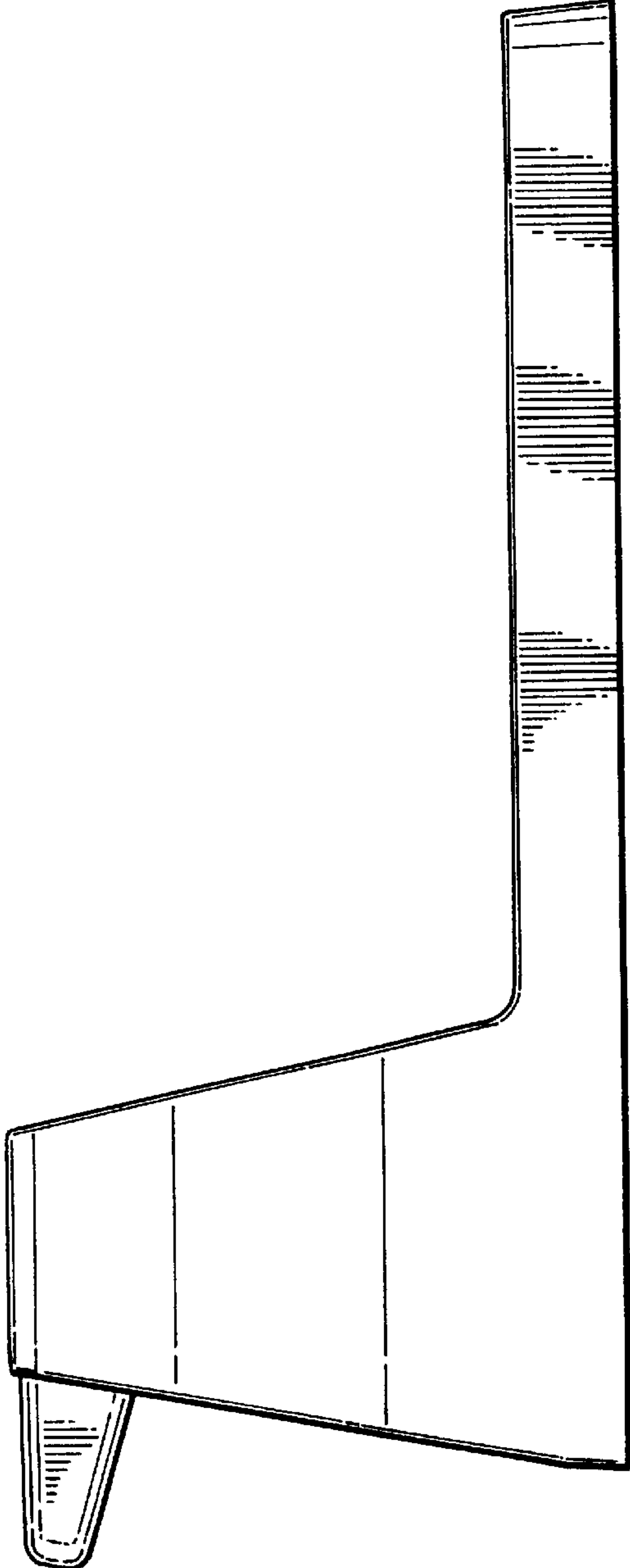


FIG. 4.

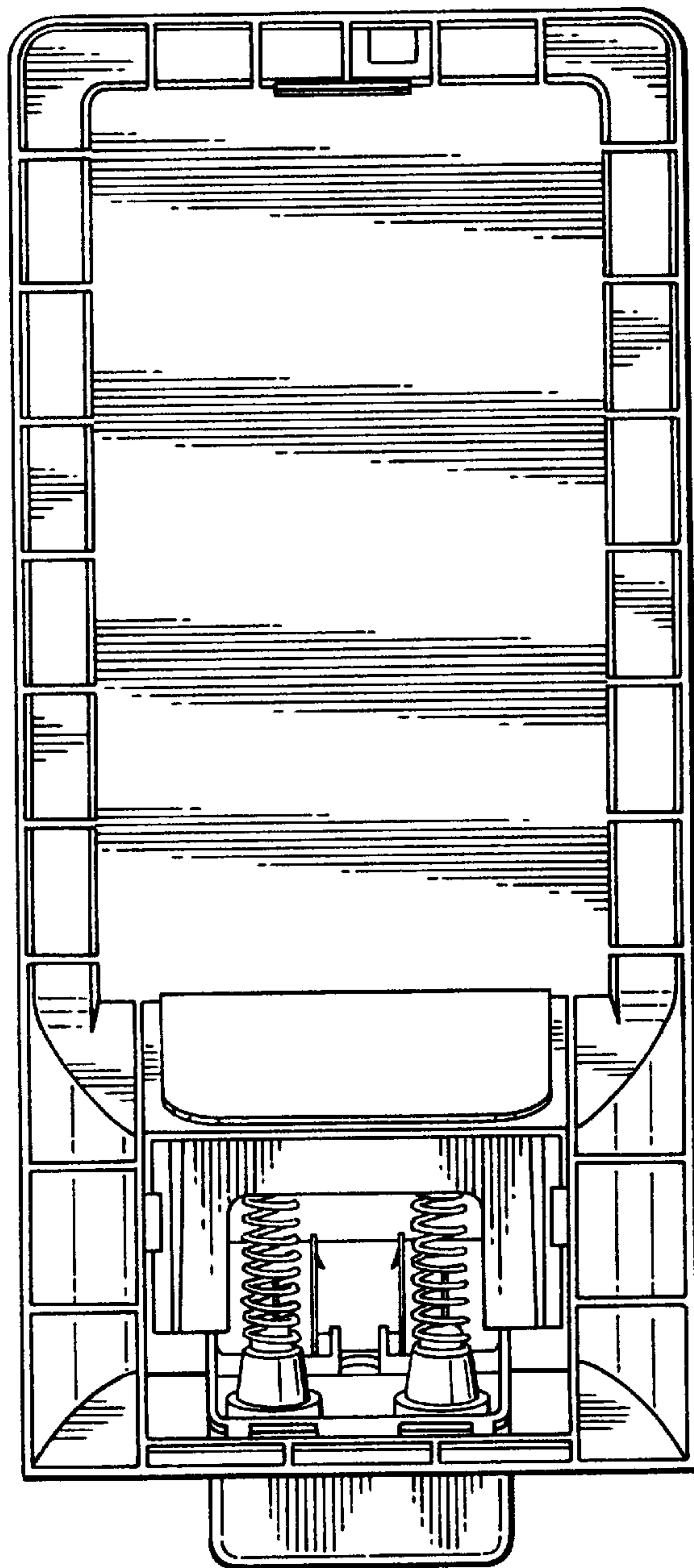
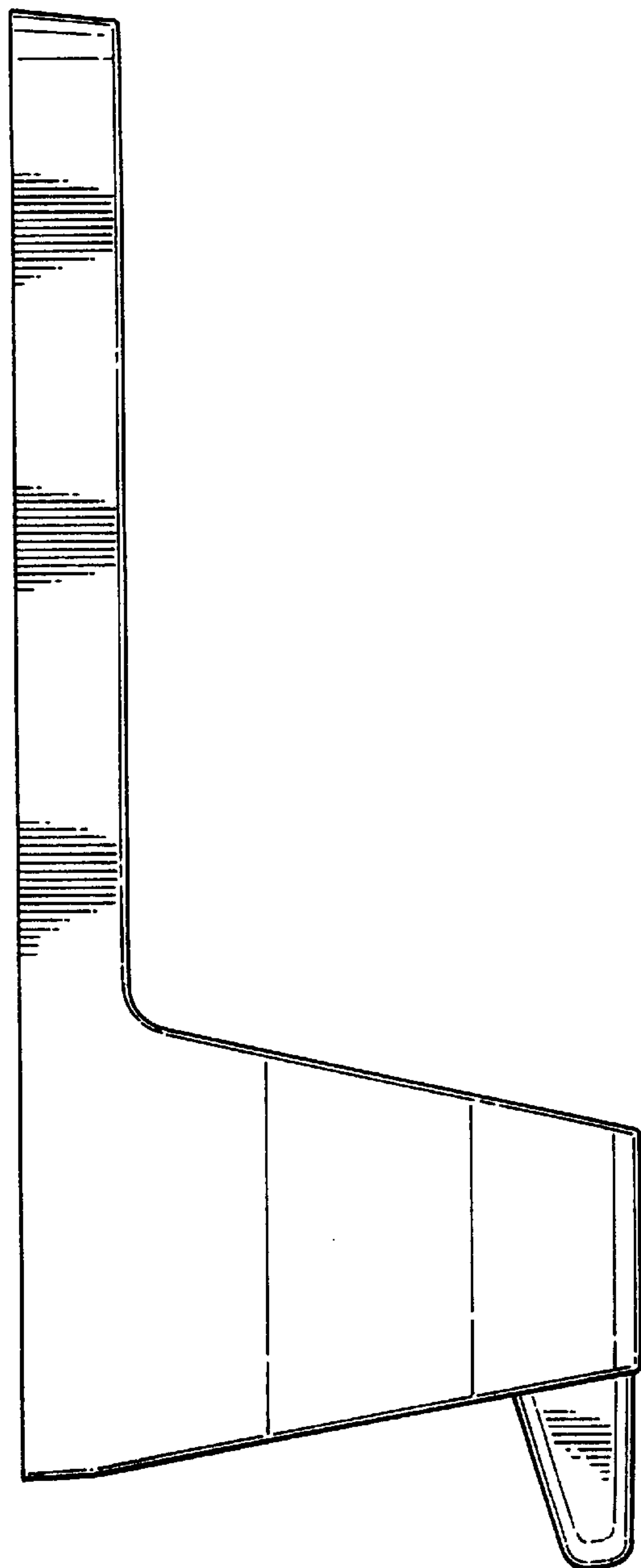


FIG. 5.

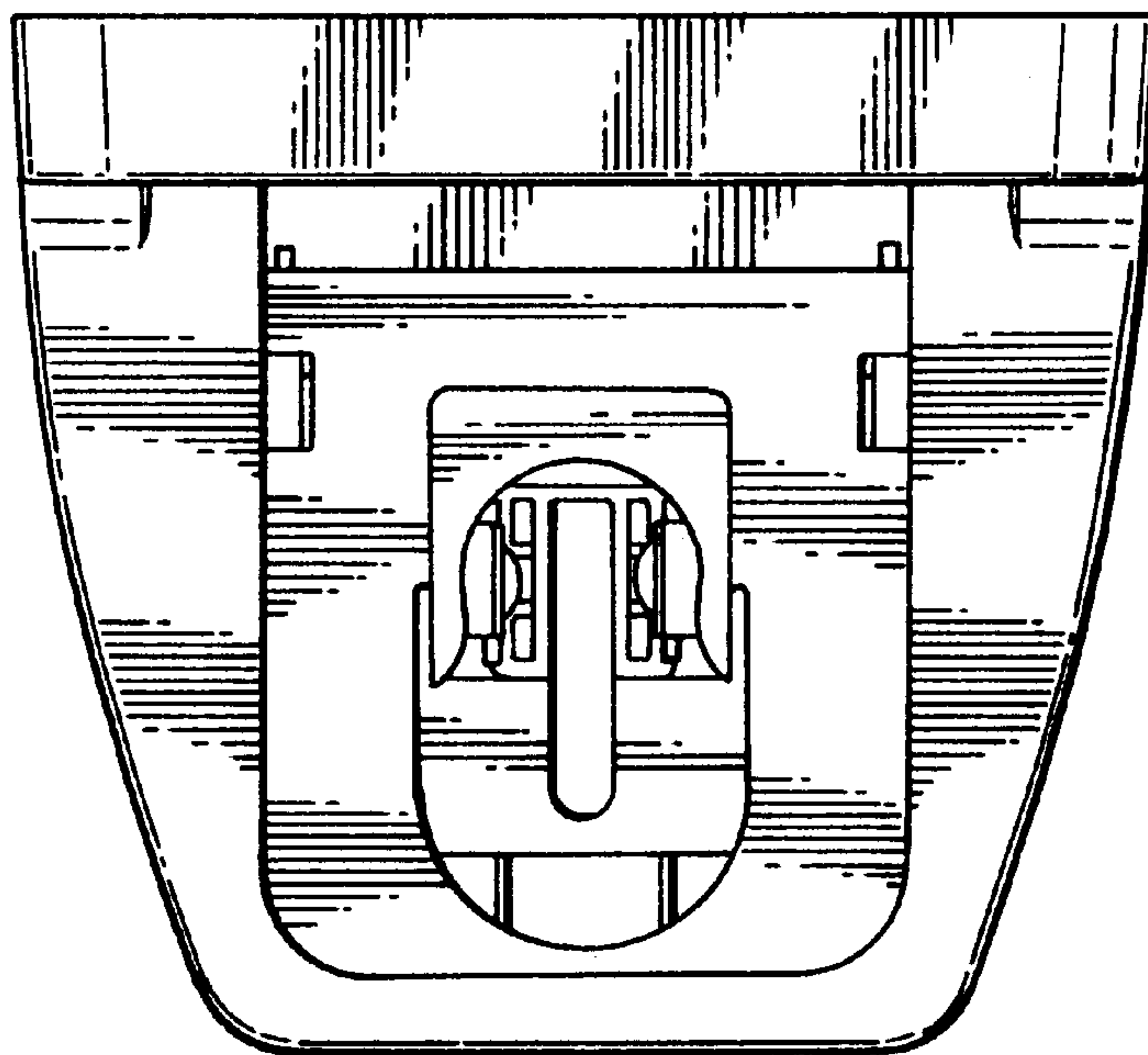


FIG. 6.

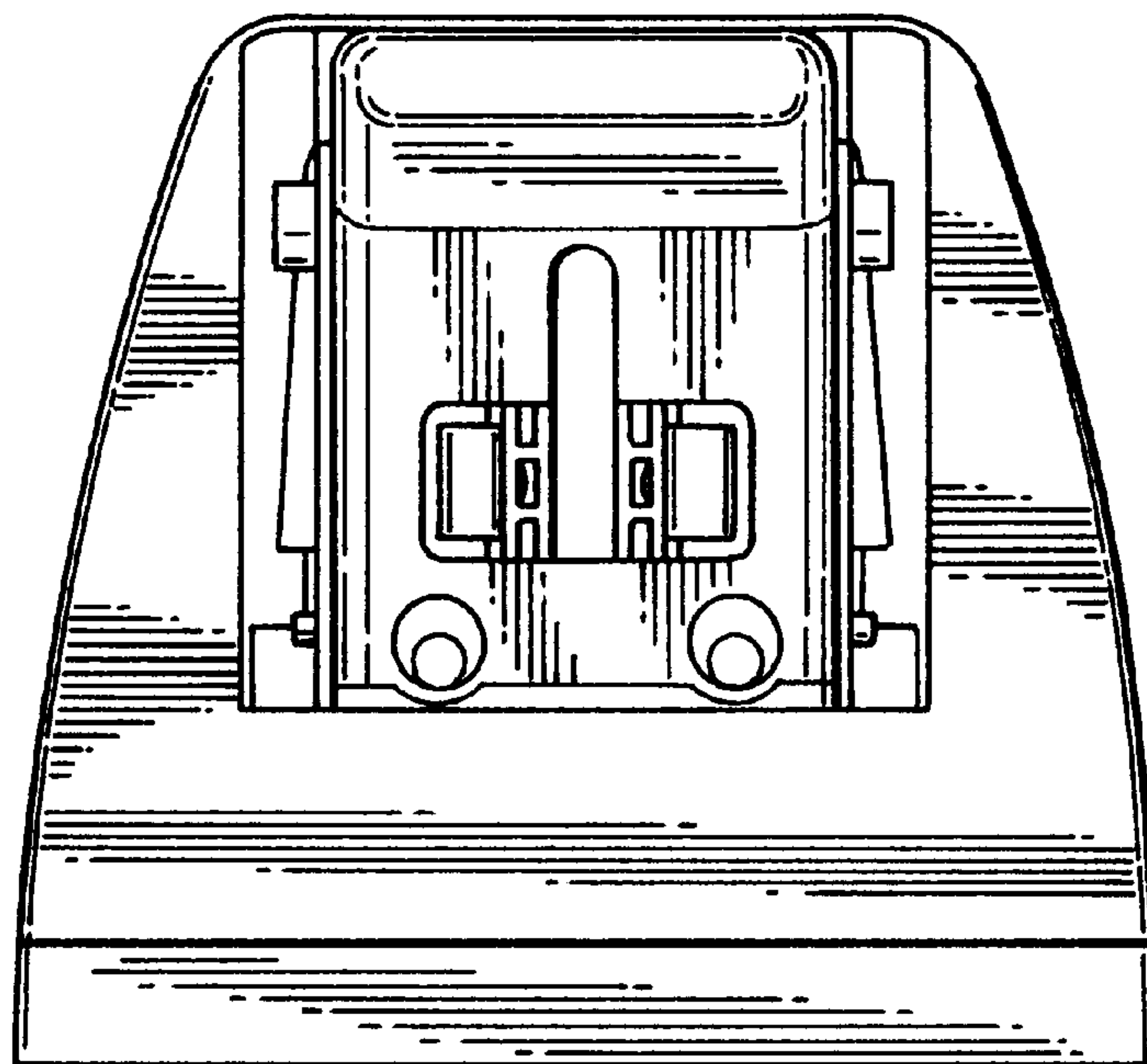


FIG. 7.

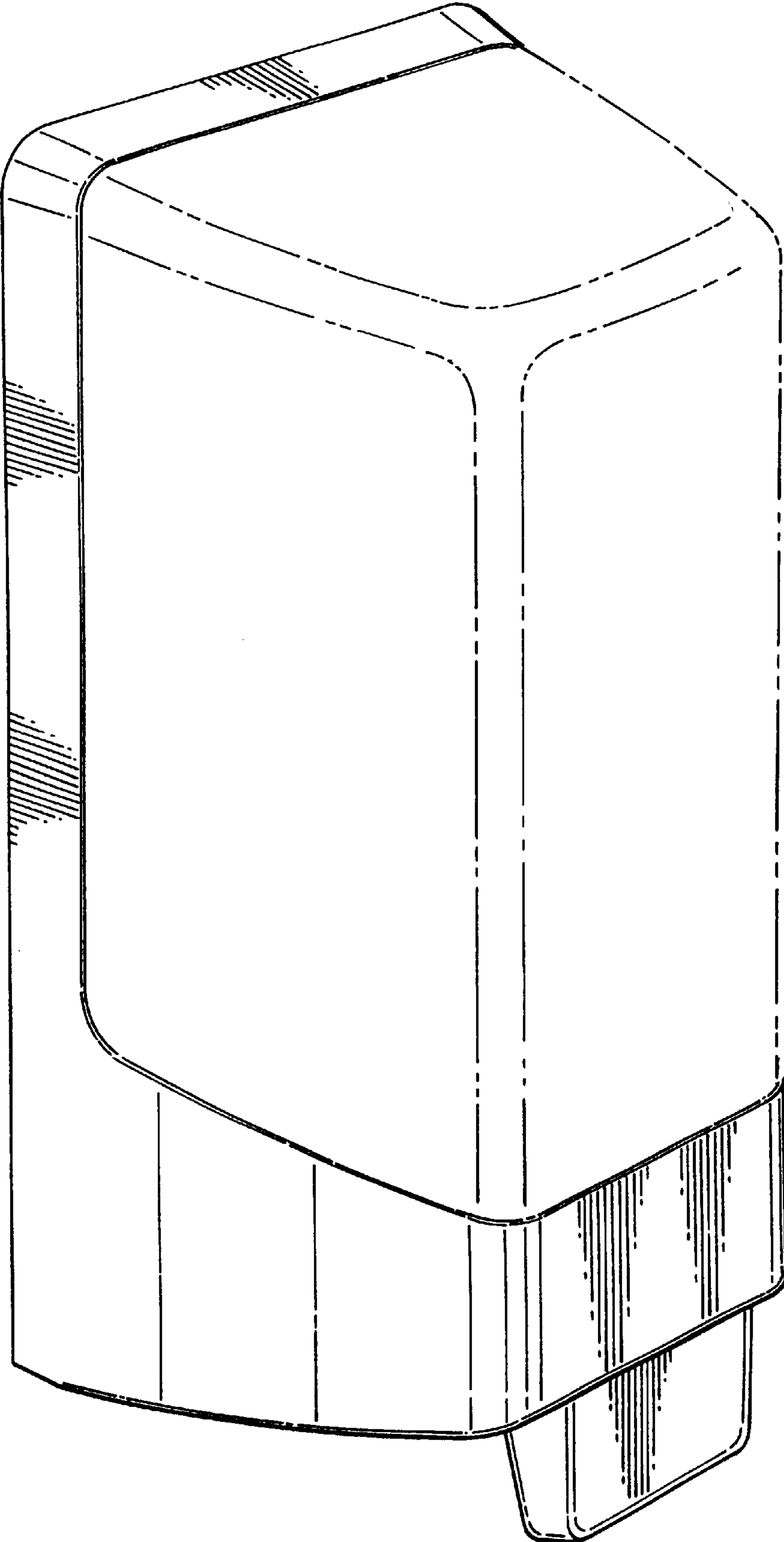


FIG. 8.