



US00D529739S

(12) **United States Design Patent**
Bertucci et al.

(10) **Patent No.:** **US D529,739 S**
(45) **Date of Patent:** **** Oct. 10, 2006**

(54) **DISPENSER AND BOTTLE HOLDER**
(75) Inventors: **Michael H. Bertucci**, Gurnee, IL (US);
Christopher F. Lang, Burlington, WI (US);
Steven E. Schiller, Kenosha, WI (US)
(73) Assignee: **JohnsonDiversey, Inc.**, Sturtevant, WI (US)
(**) Term: **14 Years**

D493,647 S * 8/2004 Bowes D6/545
D500,222 S * 12/2004 Haas D6/545

* cited by examiner

Primary Examiner—Brian N Vinson
(74) *Attorney, Agent, or Firm*—Gregory S. Hollis; James J. Sales; Neil E. Hamilton

(21) Appl. No.: **29/208,683**
(22) Filed: **Jul. 1, 2004**

(51) **LOC (8) Cl.** **23-02**
(52) **U.S. Cl.** **D6/545**
(58) **Field of Classification Search** D6/542–545;
221/208, 282, 283; 222/105, 173, 180, 181.1,
222/181.2, 181.3
See application file for complete search history.

(57) **CLAIM**

The ornamental design for a dispenser and bottle holder, as shown and described.

DESCRIPTION

The nature of this product is a holding device for a dispenser for cleaning and sanitizing solutions as well as a holder for a bottle which can be filled from the dispenser.

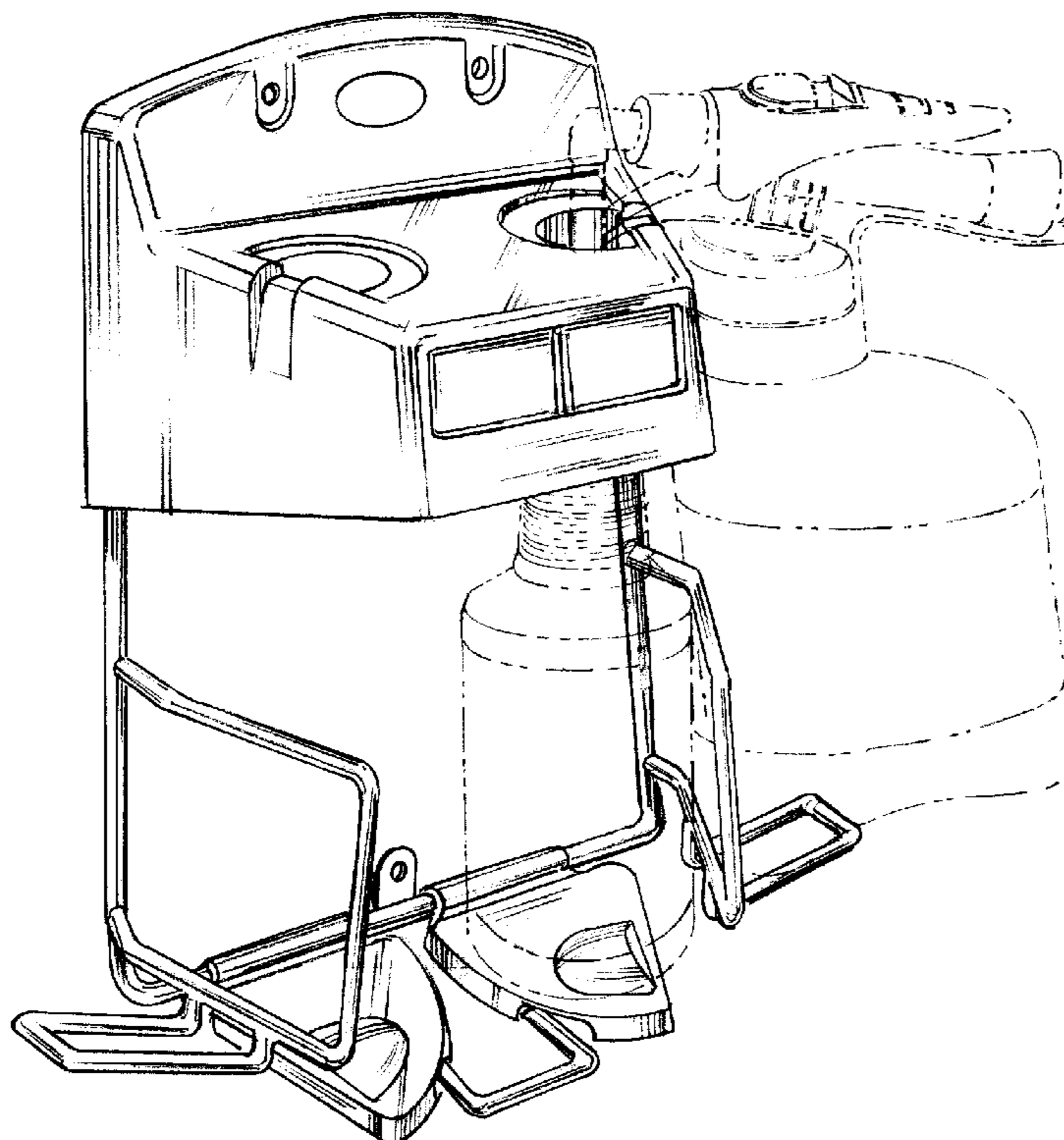
FIG. 1 is a left, front, perspective view of a dispenser and bottle holder embodying our new design;
FIG. 2 is a front elevational view thereof;
FIG. 3 is a top plan view thereof;
FIG. 4 is a bottom plan view thereof; and,
FIG. 5 is a right side elevational view thereof, the left side elevational view thereof being a mirror image of the right side shown.

The broken line representations of a dispenser and bottle in FIG. 1 is for illustrative purposes only and form no part of the claimed design.

(56) **References Cited**
U.S. PATENT DOCUMENTS

D245,891 S * 9/1977 Milbourne, Jr. D6/545
4,164,306 A * 8/1979 Perrin 222/181.2
D333,063 S * 2/1993 Podesta Burke D6/545
D444,978 S * 7/2001 Kauzlarich et al. D6/545
D454,017 S * 3/2002 Kauzlarich et al. D6/545
D481,896 S * 11/2003 Shaanan D6/545

1 Claim, 5 Drawing Sheets



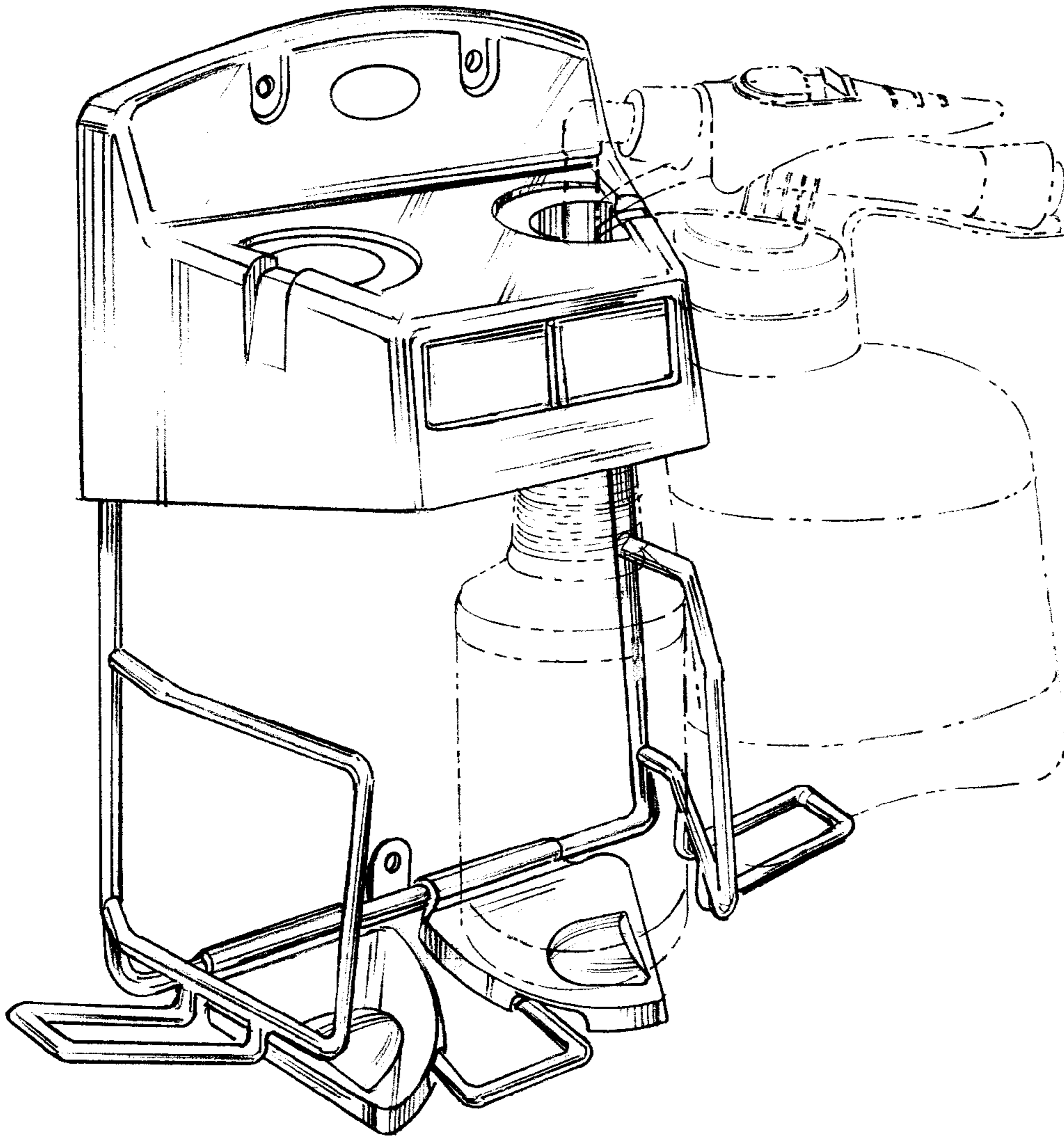


FIG. 1

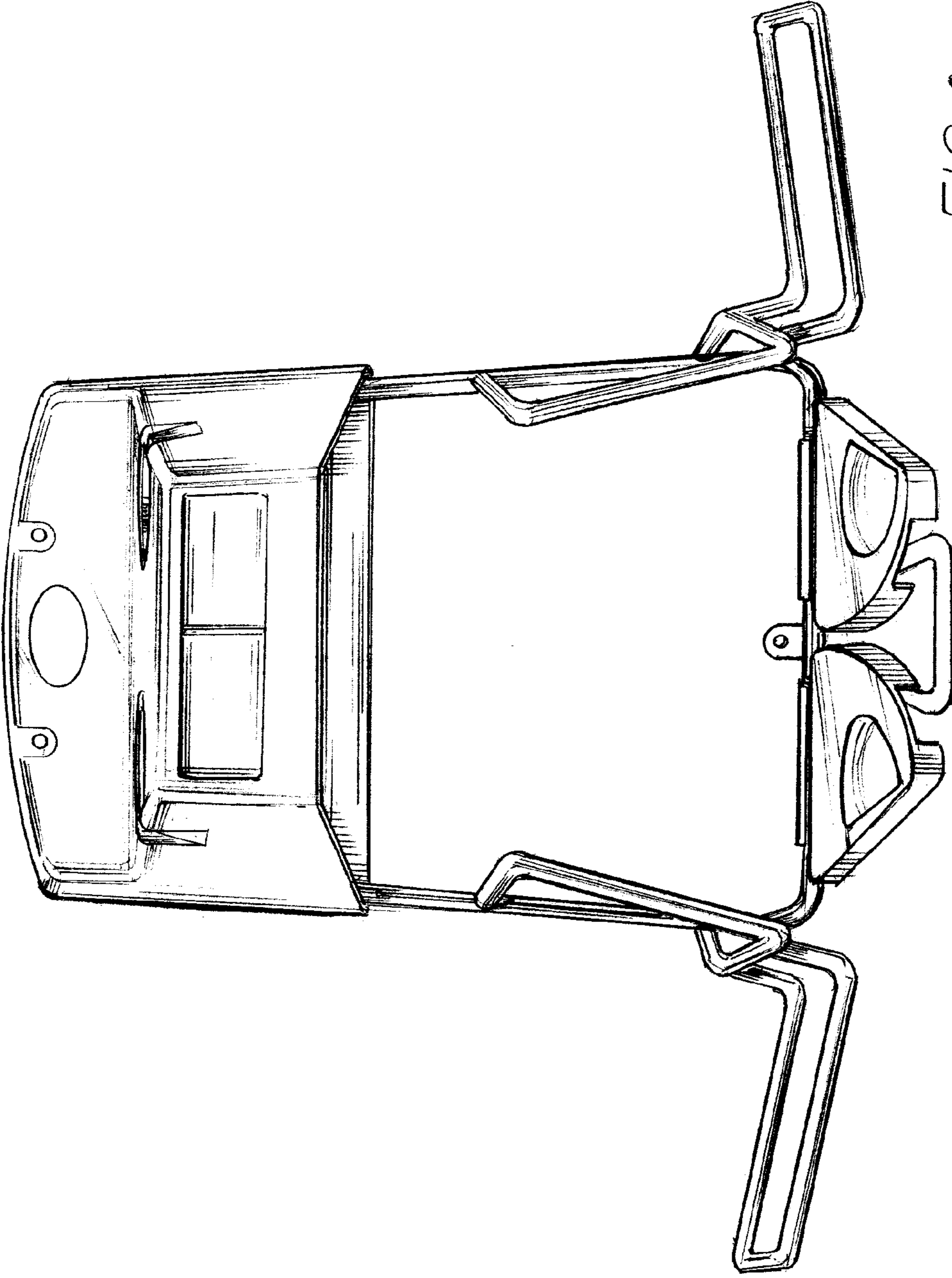


FIG. 2

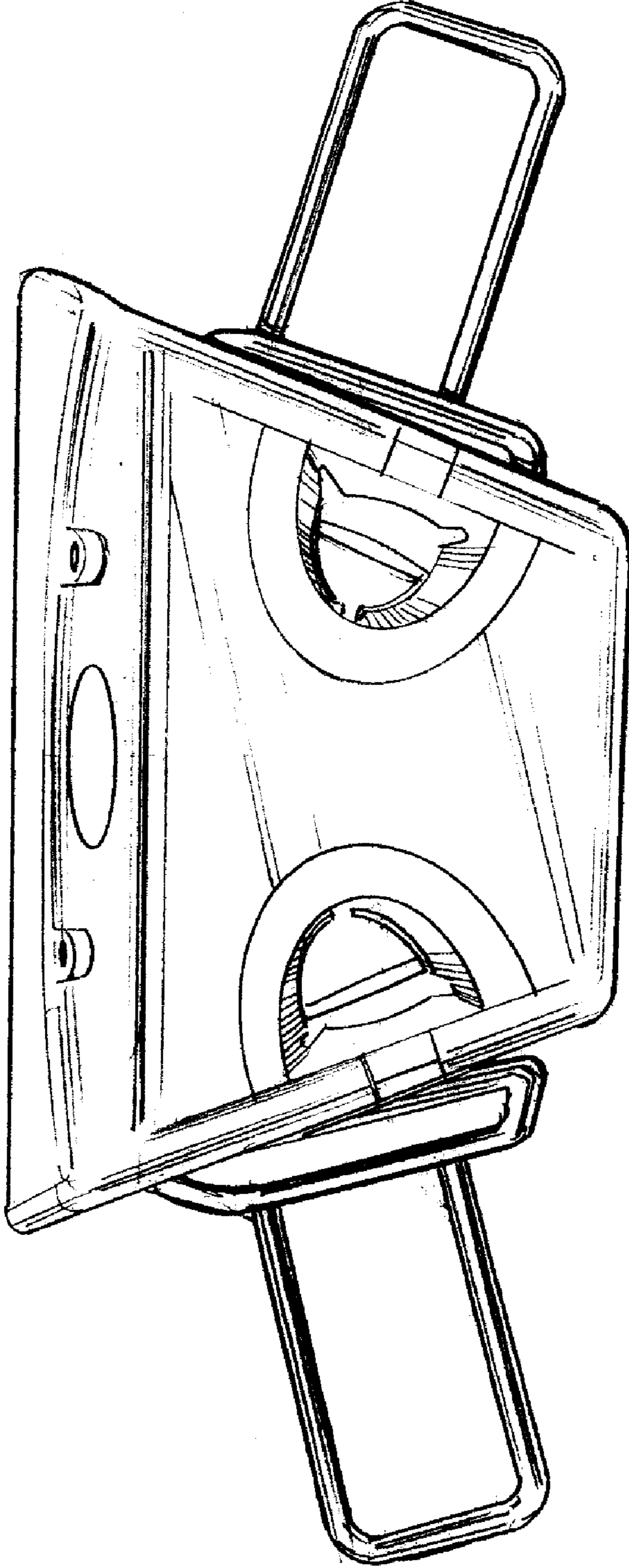


FIG. 3

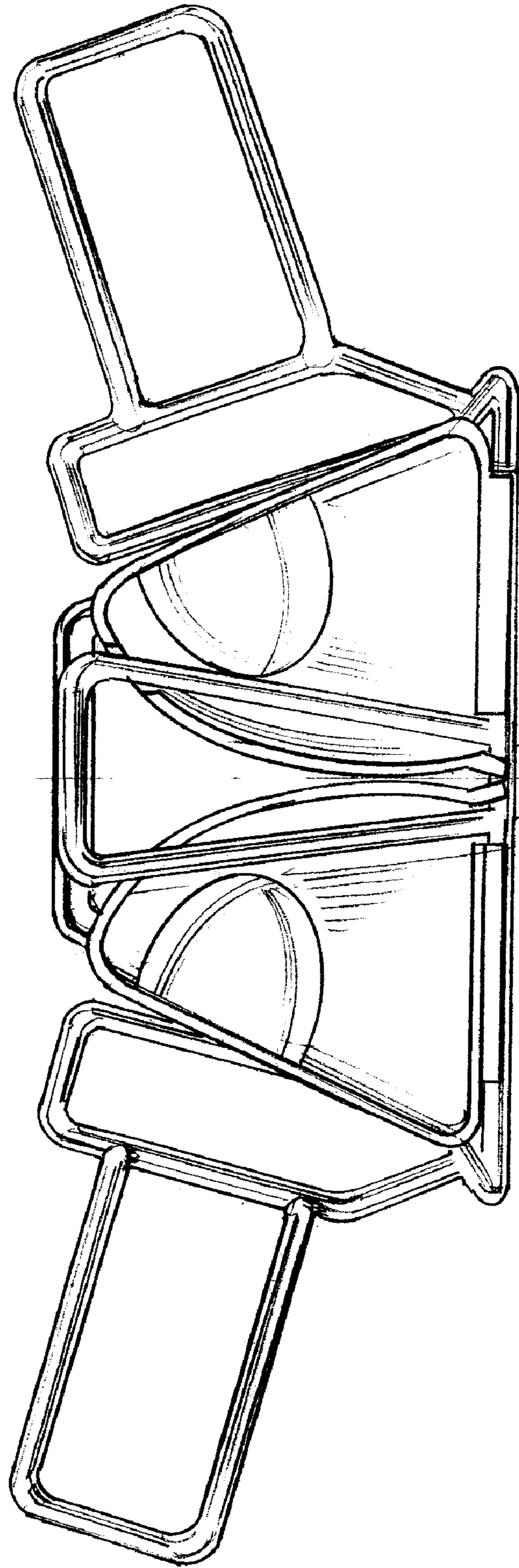


FIG 4

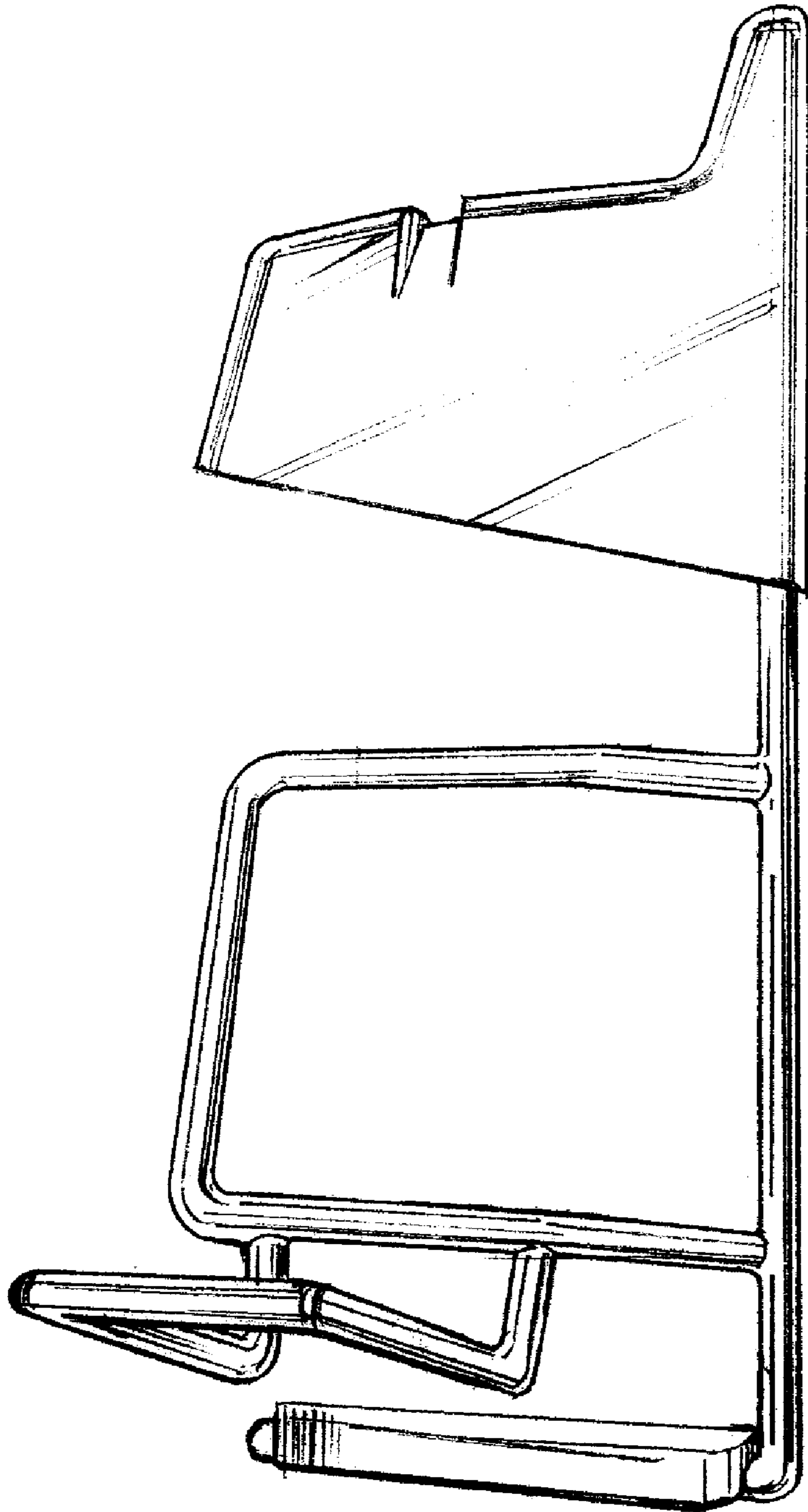


FIG. 5