



US00D529737S

(12) **United States Design Patent**
Terada

(10) **Patent No.:** **US D529,737 S**
(45) **Date of Patent:** **** Oct. 10, 2006**

- (54) **GOODS DISPLAY TRAY**
- (75) Inventor: **Masamoto Terada**, Chuo-ku (JP)
- (73) Assignee: **Kawajun Co., LTD**, Tokyo (JP)
- (**) Term: **14 Years**
- (21) Appl. No.: **29/243,217**
- (22) Filed: **Nov. 22, 2005**

- 5,156,096 A 10/1992 Lamprey
- D352,198 S 11/1994 Wright et al.
- D364,057 S 11/1995 Bowman
- D366,799 S 2/1996 Curtin
- D379,727 S 6/1997 Rylen
- D388,987 S 1/1998 Simpson et al.
- D391,796 S 3/1998 Chen
- 6,158,360 A 12/2000 Cheng
- D443,165 S 6/2001 Petri
- D452,627 S 1/2002 Petri
- 6,443,407 B1 9/2002 Ibrahim
- 6,920,977 B1 7/2005 VanSkiver et al.

Related U.S. Application Data

- (62) Division of application No. 29/203,764, filed on Apr. 20, 2004.

(30) **Foreign Application Priority Data**

- Oct. 20, 2003 (JP) 2003-030912
- Oct. 20, 2003 (JP) 2003-030914

- (51) **LOC (8) Cl.** **06-06**

- (52) **U.S. Cl.** **D6/511; D6/475**

- (58) **Field of Classification Search** D6/396,
D6/397, 399, 426, 477-479, 511, 574, 406.1,
D6/406.3; 108/40, 152, 50.11, 115; 211/90.01,
211/90.02, 134, 153, 183; 248/240
See application file for complete search history.

(56) **References Cited**

U.S. PATENT DOCUMENTS

- D31,157 S 7/1899 Stover
- 2,647,678 A 8/1953 Olson
- 2,694,610 A 11/1954 Russell
- 2,921,692 A 1/1960 Gilchrist, Jr.
- 3,620,174 A 11/1971 Dentino
- D276,043 S 10/1984 Fitzner et al.
- D291,635 S 9/1987 Dickman
- 4,917,279 A 4/1990 Brow et al.
- 5,069,142 A 12/1991 Matre
- D325,838 S 5/1992 Lamprey

Primary Examiner—Cathron C. Brooks

(74) *Attorney, Agent, or Firm*—Oblon, Spivak, McClelland, Maier & Neustadt, P.C.

(57) **CLAIM**

The ornamental design for a goods display tray, as shown and described.

DESCRIPTION

FIG. 1 is a right side elevational view of a goods display tray, showing my design;
 FIG. 2 is a left side elevational view thereof;
 FIG. 3 is a rear elevational view thereof, the front elevational view being a mirror image of the rear view shown;
 FIG. 4 is a top plan view thereof;
 FIG. 5 is bottom plan view thereof;
 FIG. 6 is a cross-section view thereof taken along line 6—6 of FIG. 4;
 FIG. 7 is a top, rear and left side perspective view thereof; and,
 FIG. 8 is a top, front and right side perspective view thereof in the state of use when holding articles for display.
 The broken line showing of the articles in FIG. 8 is for illustrative purposes only and forms no part of the claimed design.

1 Claim, 7 Drawing Sheets

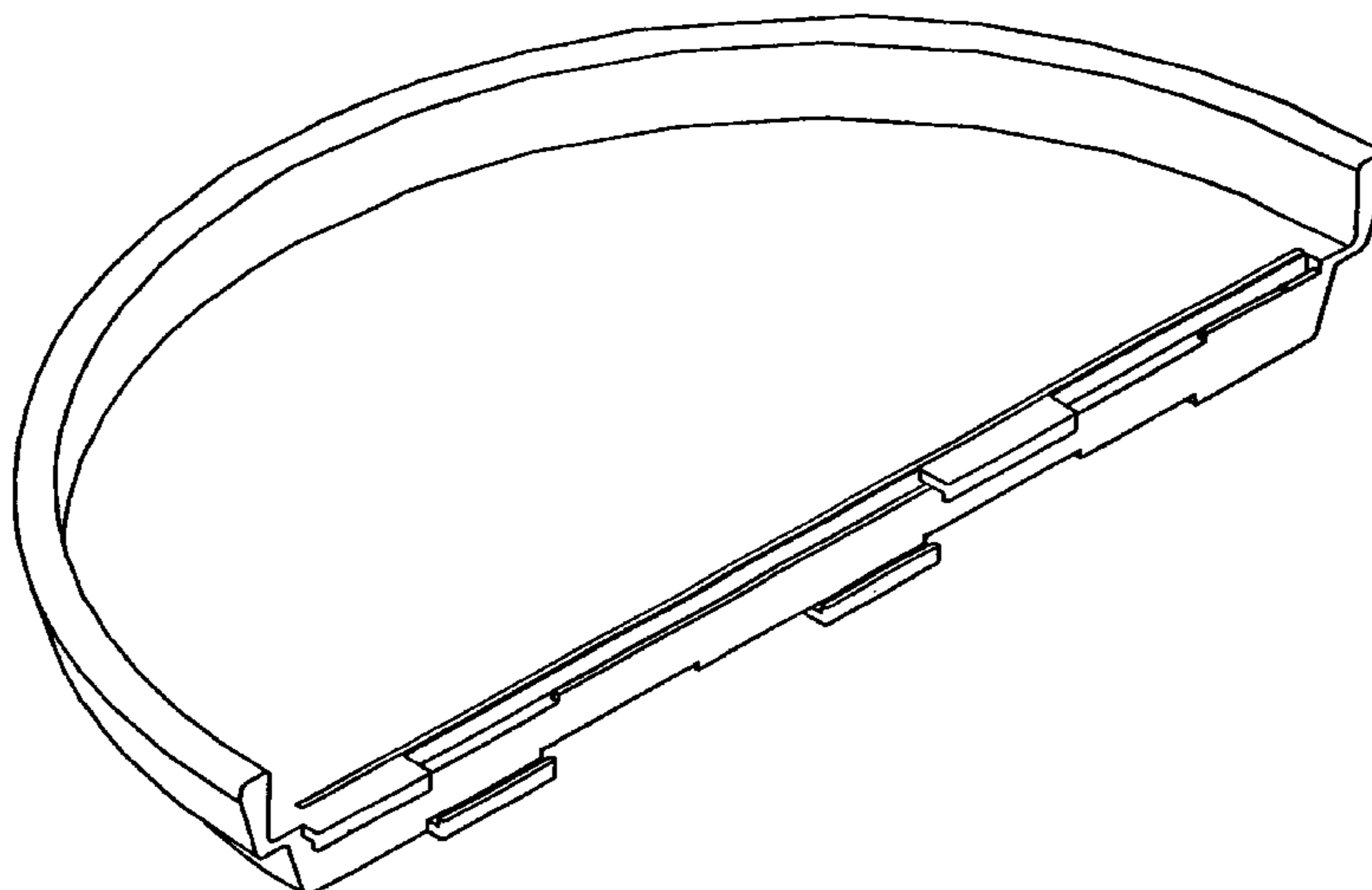


Fig. 1

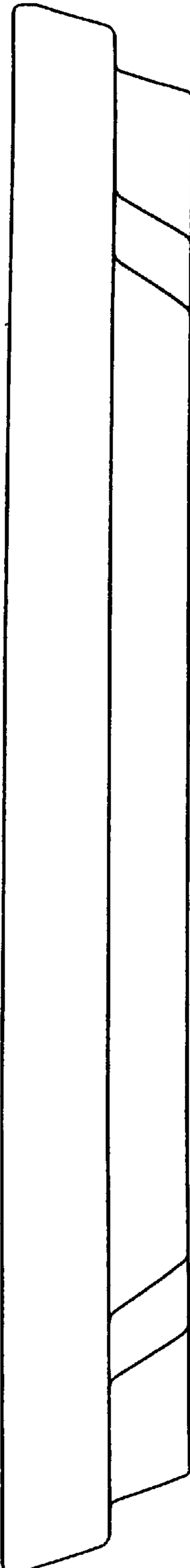


Fig. 2

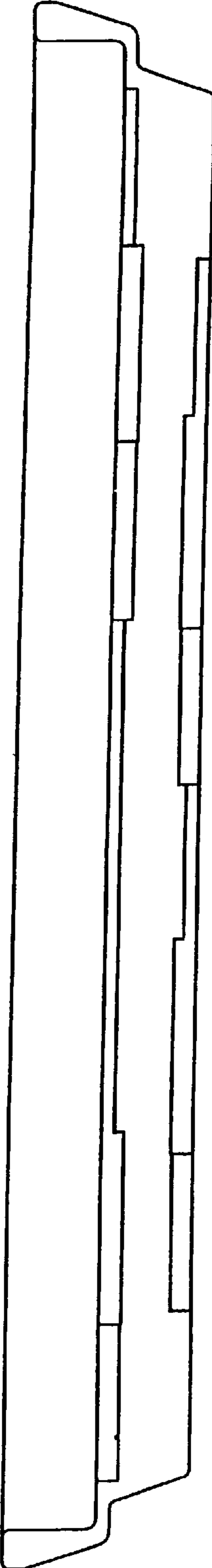


Fig. 3

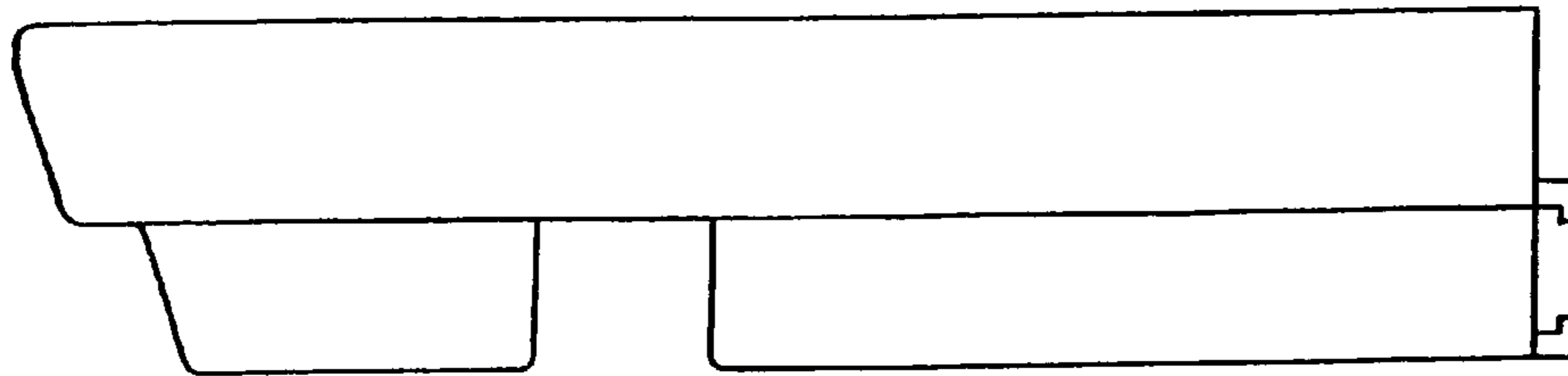
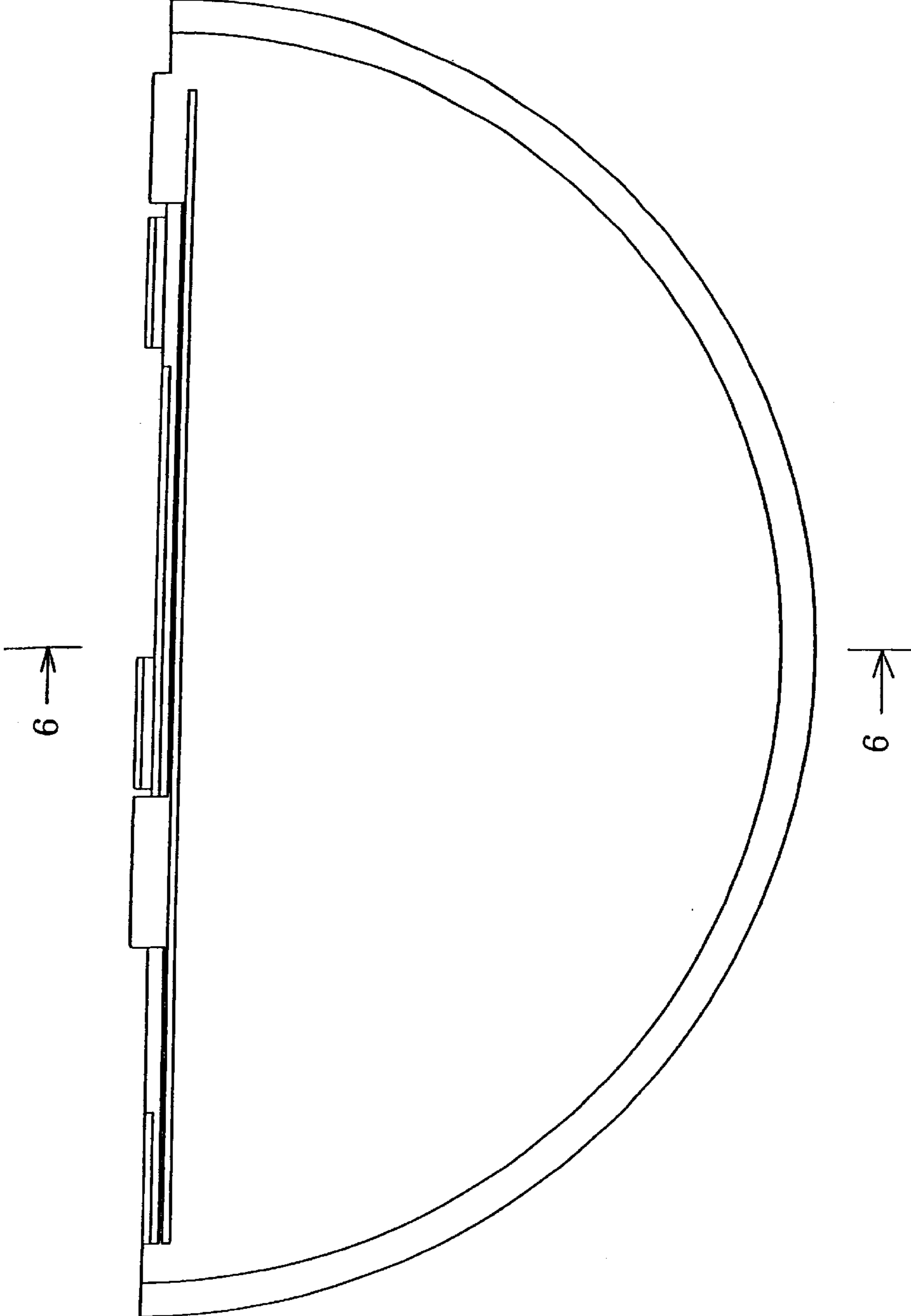


Fig. 4



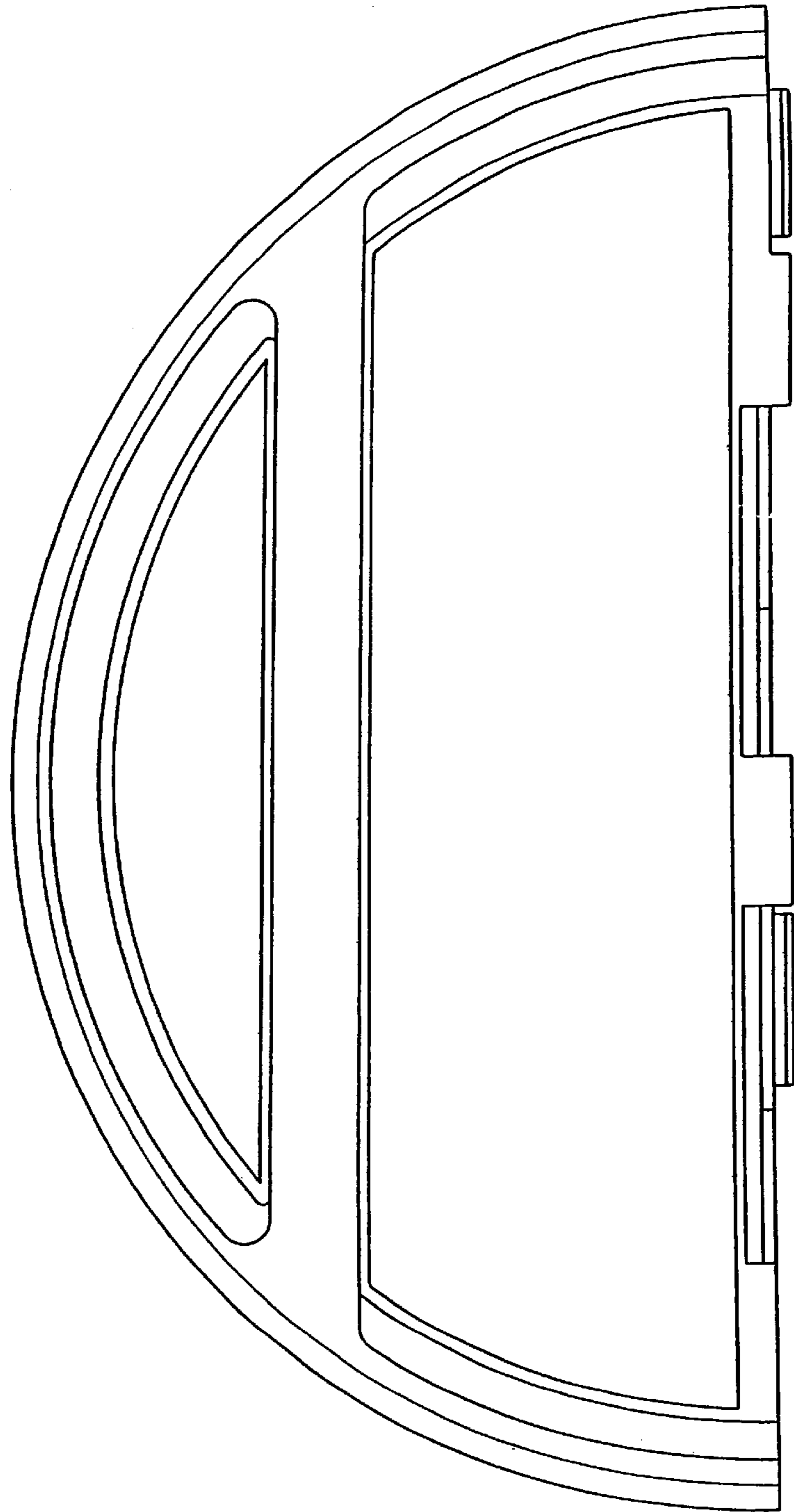


Fig. 5

Fig. 6

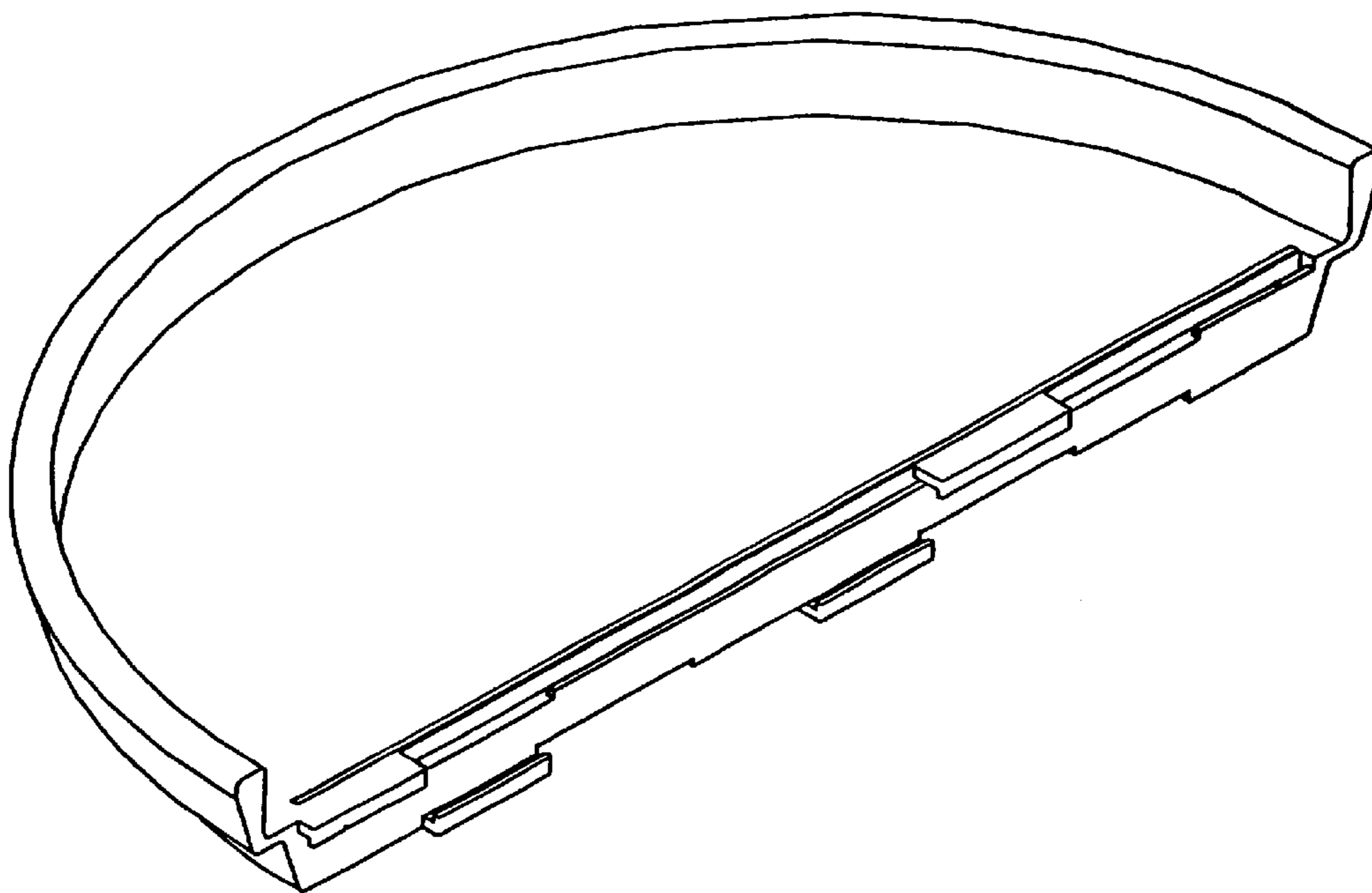
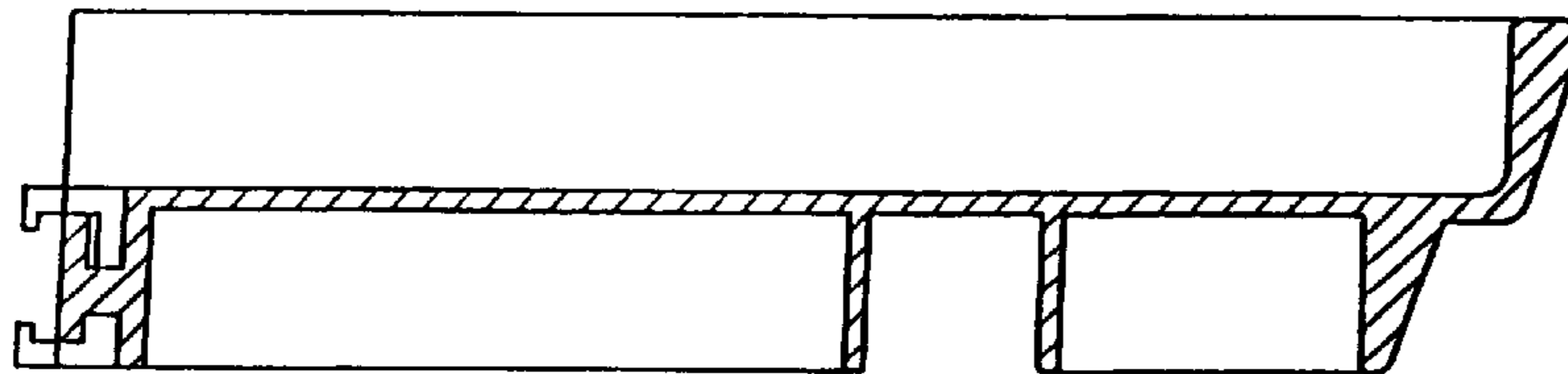


Fig. 7

Fig. 8

