

US00D529736S

(12) **United States Design Patent**
McCurry

(10) **Patent No.:** **US D529,736 S**

(45) **Date of Patent:** **** Oct. 10, 2006**

(54) **BENCH**

(75) Inventor: **Margaret McCurry**, Chicago, IL (US)

(73) Assignee: **Landscape Forms Inc.**, Kalamazoo, MI (US)

(**) Term: **14 Years**

(21) Appl. No.: **29/251,466**

(22) Filed: **Jan. 9, 2006**

(51) **LOC (8) Cl.** **06-01**

(52) **U.S. Cl.** **D6/500**

(58) **Field of Classification Search** D6/332,
D6/335-337, 340, 349, 355, 352-353, 369-370,
D6/381, 495, 499-502; 5/12.1; 108/118,
108/119, 137; 297/16.1-16.2, 451.9, 452.11,
297/452.63, 217.1, 31, 175, 423.1, 423.16,
297/461, 232

See application file for complete search history.

(56) **References Cited**

U.S. PATENT DOCUMENTS

2,060,099	A	*	11/1936	McNeff	248/440
D236,395	S	*	8/1975	Kinsman	D6/373
D294,782	S	*	3/1988	Balderi	D6/373
D296,273	S	*	6/1988	Colby	D6/347
D344,417	S	*	2/1994	Schwartz	D6/373
D365,937	S	*	1/1996	Skalka	D6/370

D419,004	S	*	1/2000	Collins	D6/492
D473,391	S	*	4/2003	Haney et al.	D6/370
D486,004	S	*	2/2004	Haney et al.	D6/379
D486,664	S	*	2/2004	Pappas	D6/381

OTHER PUBLICATIONS

RPI, Sweets Catalog, buy line 2417, 2 pp., 2005.
Ecogenic Series, Huntco, Portland, OR, 1 pg., Sweets Catalog 2005.

* cited by examiner

Primary Examiner—Sandra S. Snapp

(74) *Attorney, Agent, or Firm*—Heslin Rothenberg Farley & Mesiti P.C.

(57) **CLAIM**

The ornamental design for a bench, as shown and described.

DESCRIPTION

FIG. 1 is an isometric view of the bench of the present design;

FIG. 2 is a front elevation view thereof;

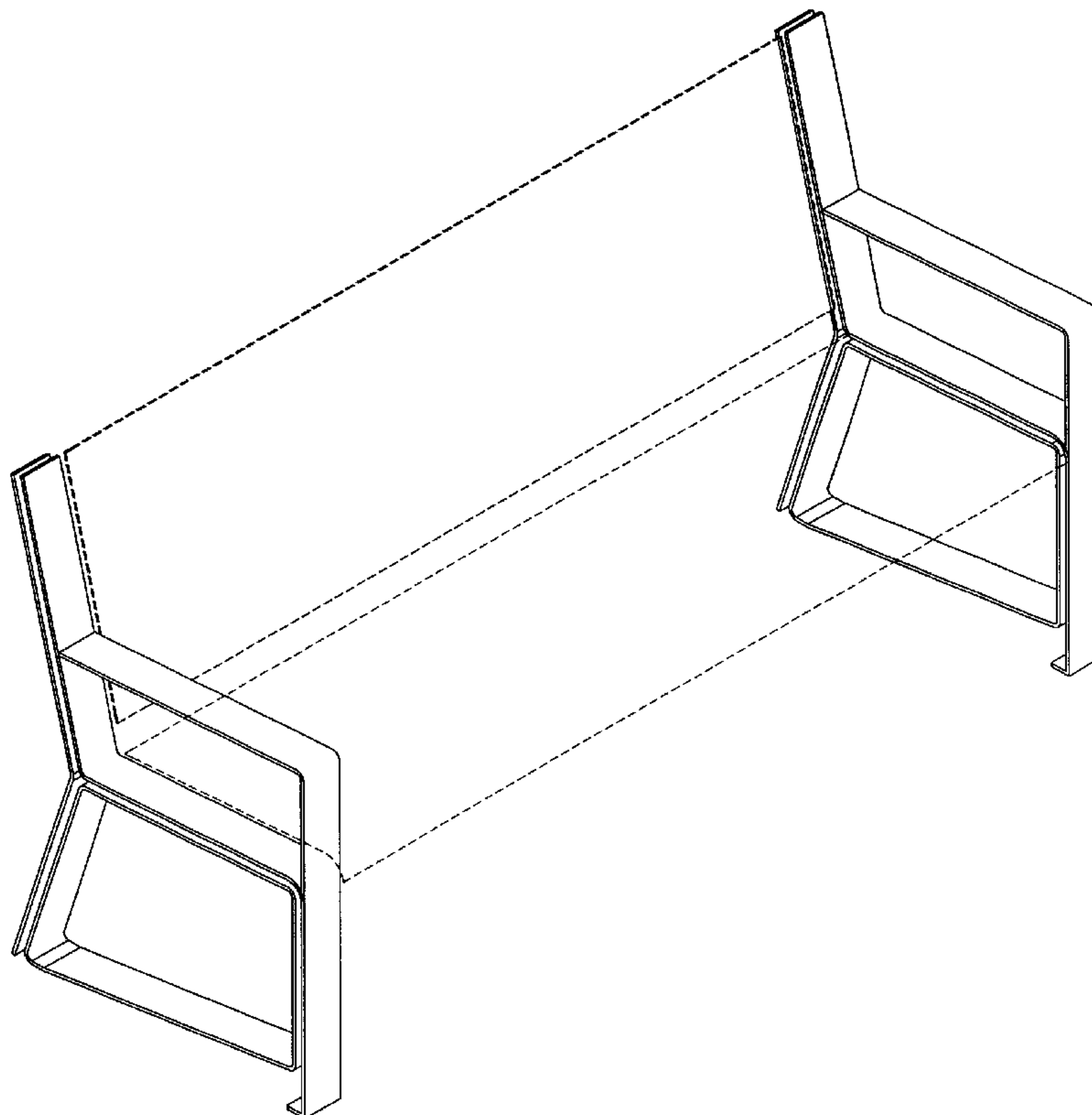
FIG. 3 is a top plan view thereof;

FIG. 4 is a rear elevation view thereof; and,

FIG. 5 is a right side elevation view thereof, the left side elevation view being a mirror image thereof.

The broken line depiction is for illustrative purposes only and forms no part of the claimed invention.

1 Claim, 5 Drawing Sheets



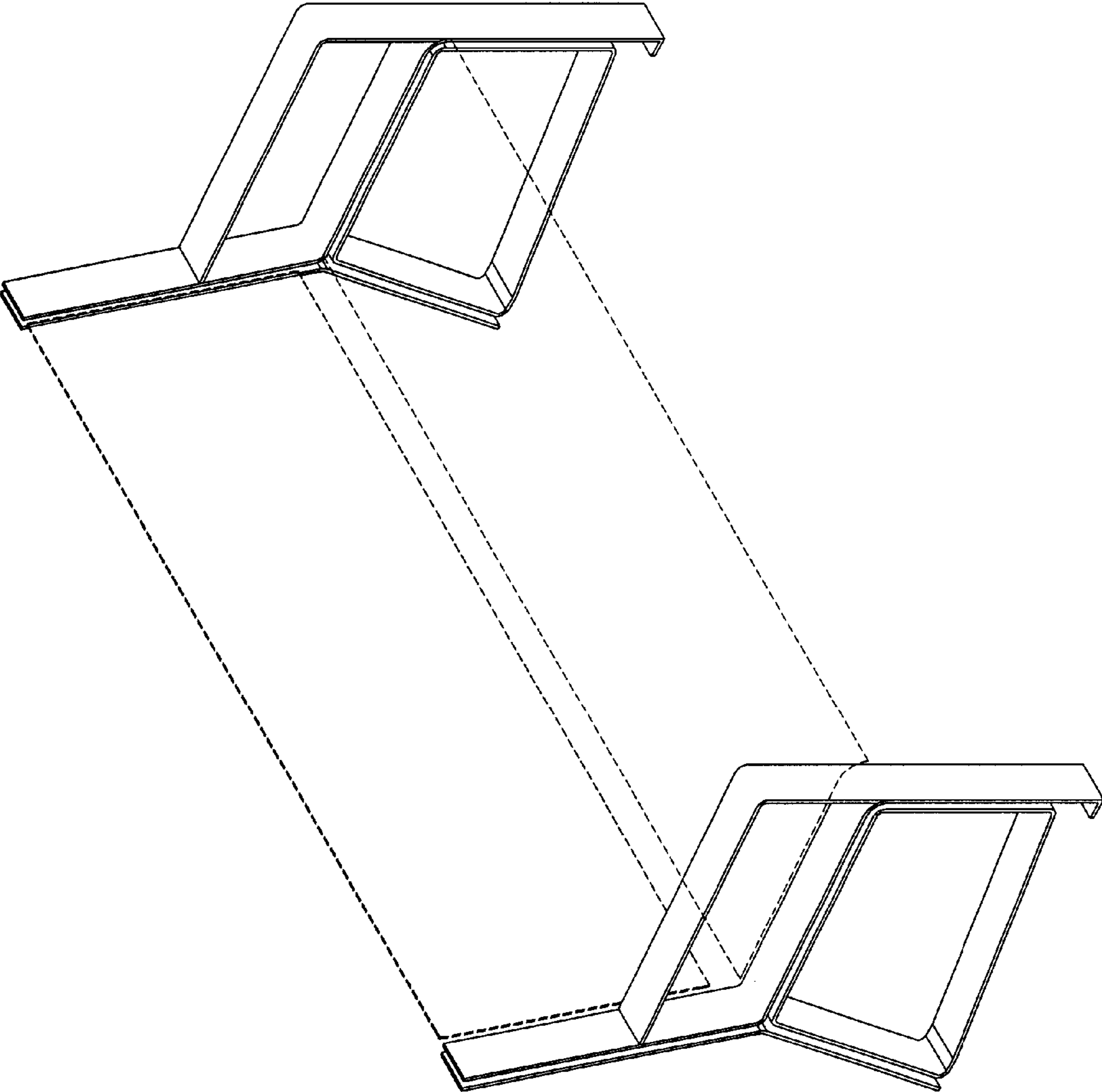


FIGURE 1

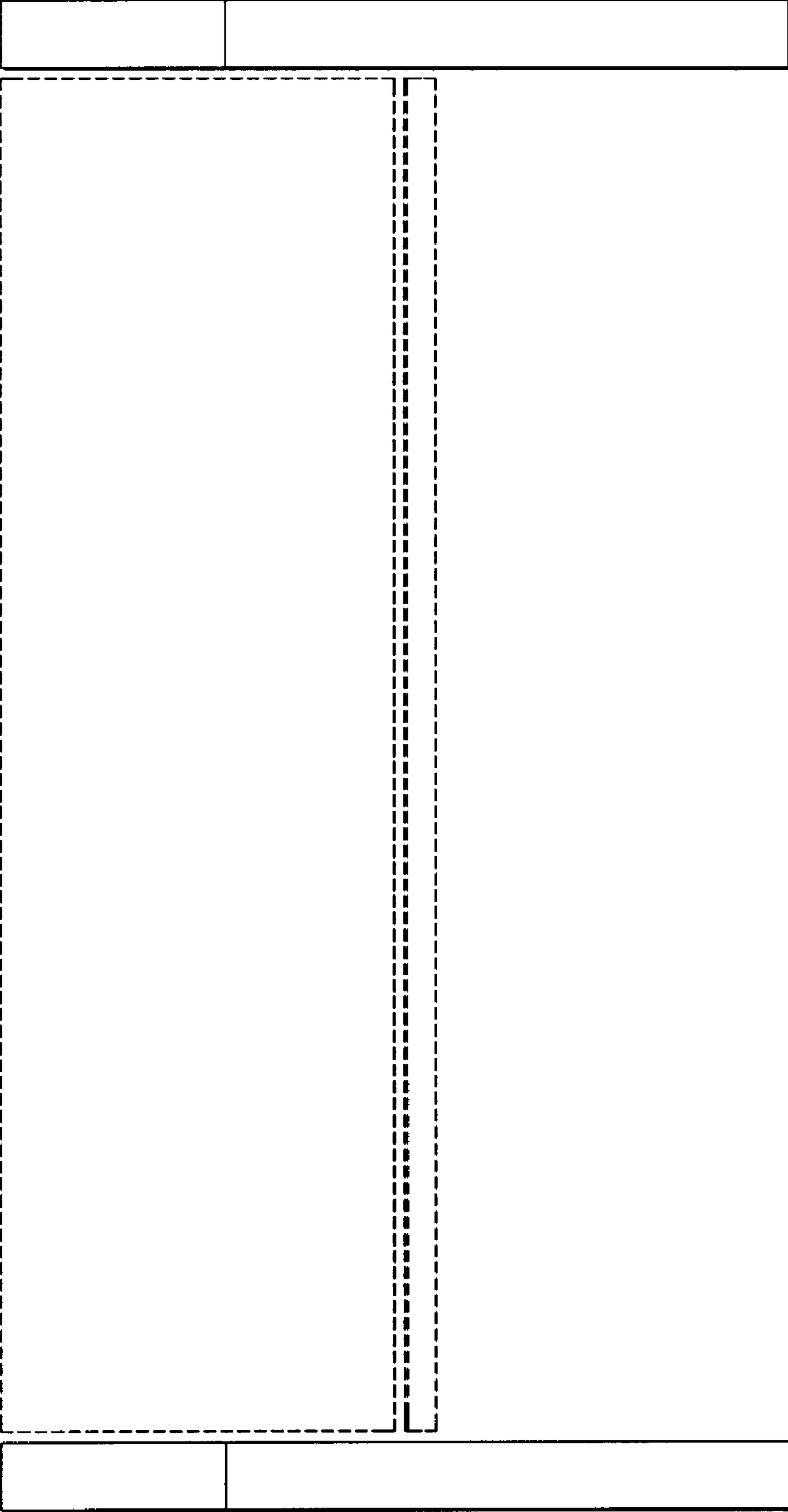


FIGURE 2

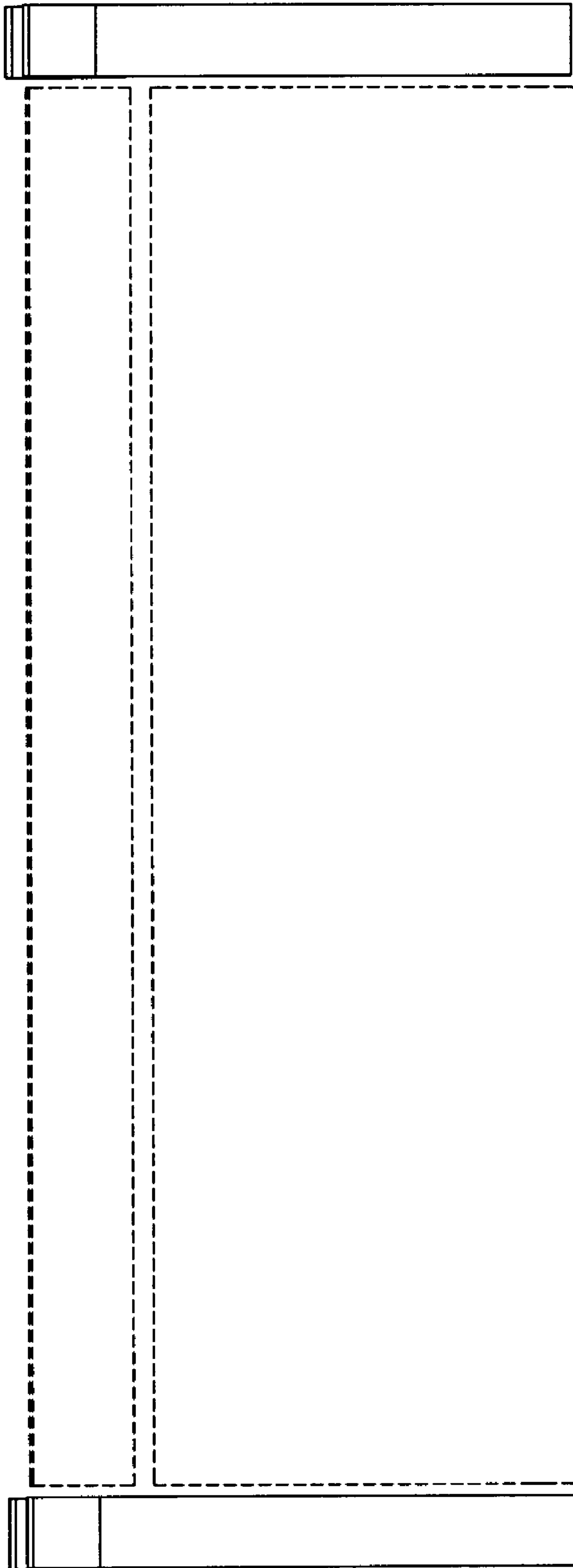


FIGURE 3

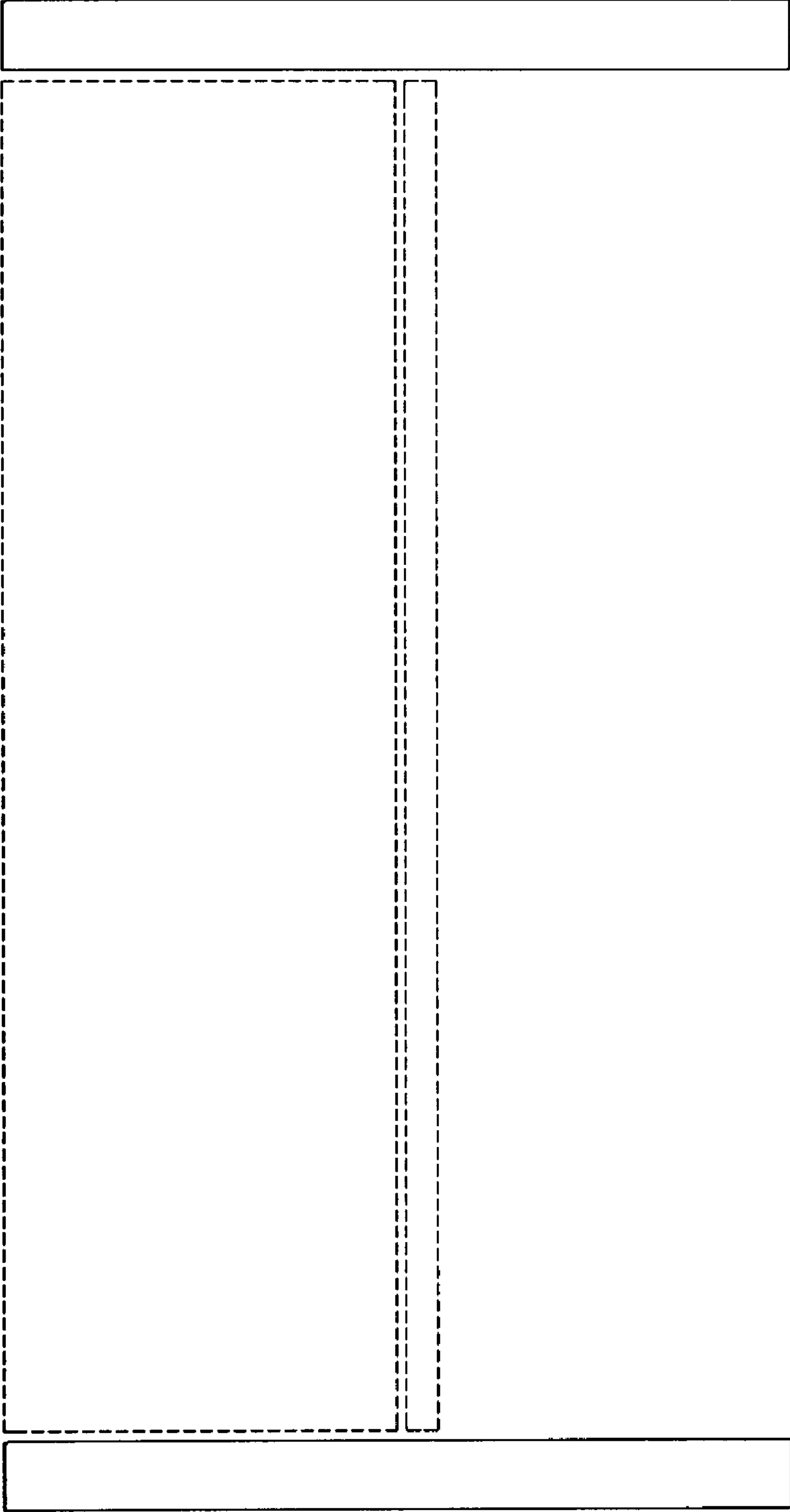


FIGURE 4

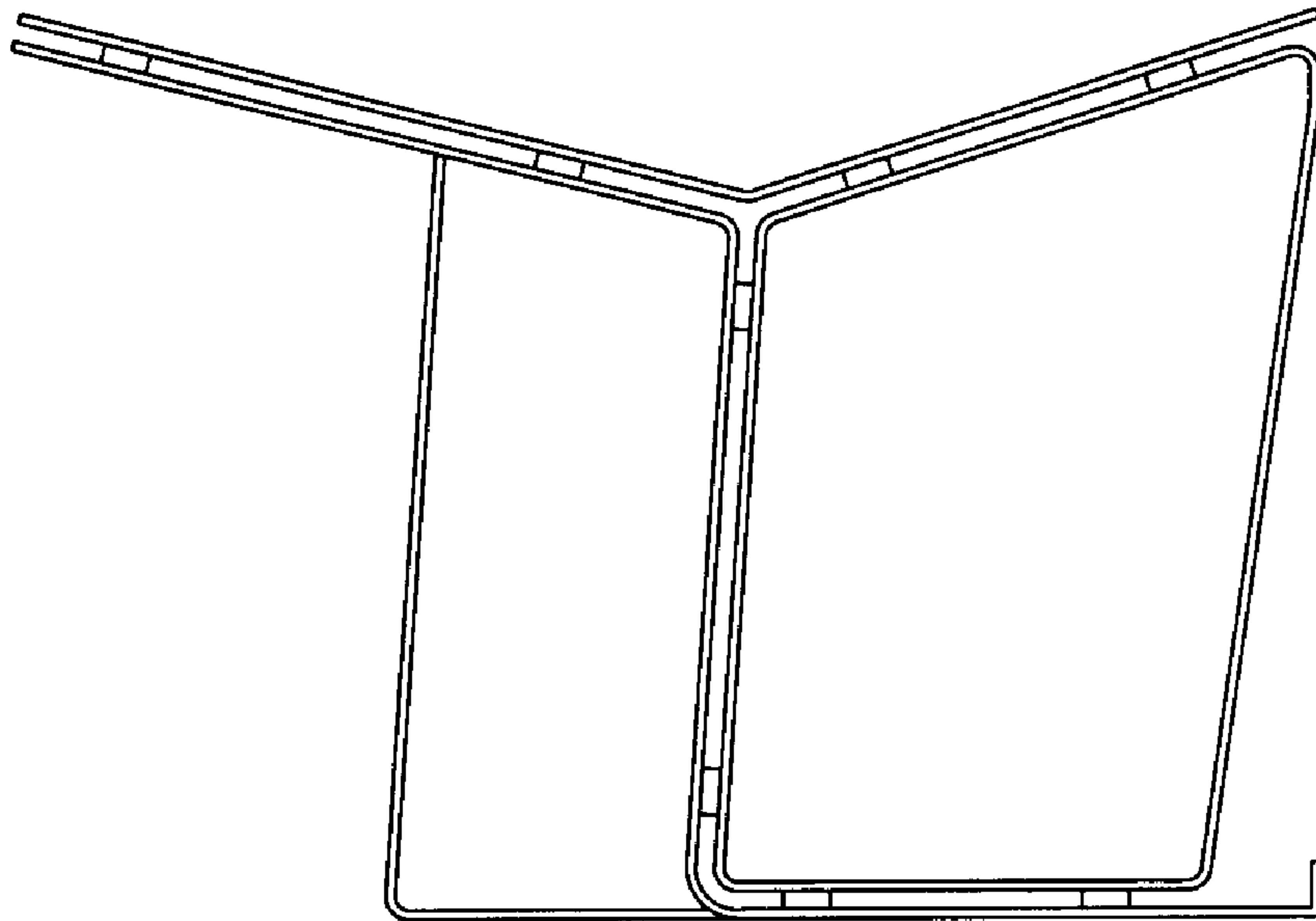


FIGURE 5