



US00D529733S

(12) **United States Design Patent** (10) **Patent No.:** **US D529,733 S**  
**Domack et al.** (45) **Date of Patent:** **\*\* Oct. 10, 2006**

(54) **END TABLE**

(75) Inventors: **Randy D. Domack**, Trempealeau, WI (US); **Terry A. Everson**, Blair, WI (US)

(73) Assignee: **Ashley Furniture Industries, Inc.**, Arcadia, WI (US)

(\*\*) Term: **14 Years**

(21) Appl. No.: **29/225,669**

(22) Filed: **Mar. 18, 2005**

(51) **LOC (8) Cl.** ..... **06-03**

(52) **U.S. Cl.** ..... **D6/480**

(58) **Field of Classification Search** ..... D6/480-489, D6/495, 511, 429, 430, 436; 108/153.1, 155, 108/156, 157.1, 161; 248/188, 188.1, 188.8

See application file for complete search history.

(56) **References Cited**

**U.S. PATENT DOCUMENTS**

D141,834 S	7/1945	Maxson, Jr.	
D334,312 S	3/1993	Glass	
D355,316 S	2/1995	Kellen	
D414,354 S	9/1999	Gower	
D503,296 S	* 3/2005	Mason	D6/480
D507,434 S	7/2005	Mohundro	
D513,139 S	* 12/2005	Bibi	D6/480
D513,909 S	* 1/2006	Bibi	D6/484

**OTHER PUBLICATIONS**

Stickley1989, p. 39, #748 at bottom left.\*  
Broyhill Furniture, [www.broyhillfurn.com/interface/style1/images/broyhill/ftoc-main-u4142-lg.jpg](http://www.broyhillfurn.com/interface/style1/images/broyhill/ftoc-main-u4142-lg.jpg).  
Broyhill Furniture, "Urban View: Tables, End Table" [www.broyhillfurn.com/Index.asp?Action=ProductCatalogItemDetails&CollectionID](http://www.broyhillfurn.com/Index.asp?Action=ProductCatalogItemDetails&CollectionID).  
Broyhill Furniture, "St. Kitts: Rectangular Cocktail Table" [www.broyhillfurn.com/Index.asp?Action=ProductCatalogItemDetails&CollectionID](http://www.broyhillfurn.com/Index.asp?Action=ProductCatalogItemDetails&CollectionID).

Century Furniture, "The Oscar dela Renta Home Collection 60Z-633 Chairside Table", [www.centuryfurniture.com/productcatalog/Items/ShowItem.aspx?CG\\_Item=60Z-633](http://www.centuryfurniture.com/productcatalog/Items/ShowItem.aspx?CG_Item=60Z-633).

Century Furniture, "The Complements Collection 4174L Lamp Table", [www.centuryfurniture.com/productcatalog/Items/ShowItem.aspx?CG\\_Item=4174L](http://www.centuryfurniture.com/productcatalog/Items/ShowItem.aspx?CG_Item=4174L).

Century Furniture, "the Complements Collection 4135E End Table with Granite Top", [www.centuryfurniture.com/productcatalog/Items/ShowItem.aspx?CG\\_Item=4135E](http://www.centuryfurniture.com/productcatalog/Items/ShowItem.aspx?CG_Item=4135E).

Lexington Home Brands, "Nautica Colonial Passage End Table", [www.lexington.com/ProductDetail.cfm?collection=128&room=0&furtype=12&na](http://www.lexington.com/ProductDetail.cfm?collection=128&room=0&furtype=12&na).

Thomasville Furniture Ind., "American Expressions Square Lamp Table", [www.thomasville.com/Products/Product.asp?ItemID=1835](http://www.thomasville.com/Products/Product.asp?ItemID=1835).

Ashley Catalog Photograph, "Printz" T358, 2002.

Standard Furniture, Sedona End Table, Undated.

Ashley Catalog Photograph, Pama, T754-1-3-4, p. 379 (2003).

\* cited by examiner

*Primary Examiner*—Janice E. Seeger

(74) *Attorney, Agent, or Firm*—Patterson, Thunte, Skaar & Christensen, P.A.

(57) **CLAIM**

We claim the ornamental design for an end table, as shown and described.

**DESCRIPTION**

FIG. 1 is a perspective view of an end table according to an embodiment of the invention.

FIG. 2 is a front elevational view of an end table according to an embodiment of the invention. The rear elevational view being a mirror image thereof.

FIG. 3 is a side elevational view of an end table according to an embodiment of the invention. The elevational view of the opposite side being a mirror image thereof; and,

FIG. 4 is a top plan view of an end table according to an embodiment of the invention.

**1 Claim, 3 Drawing Sheets**

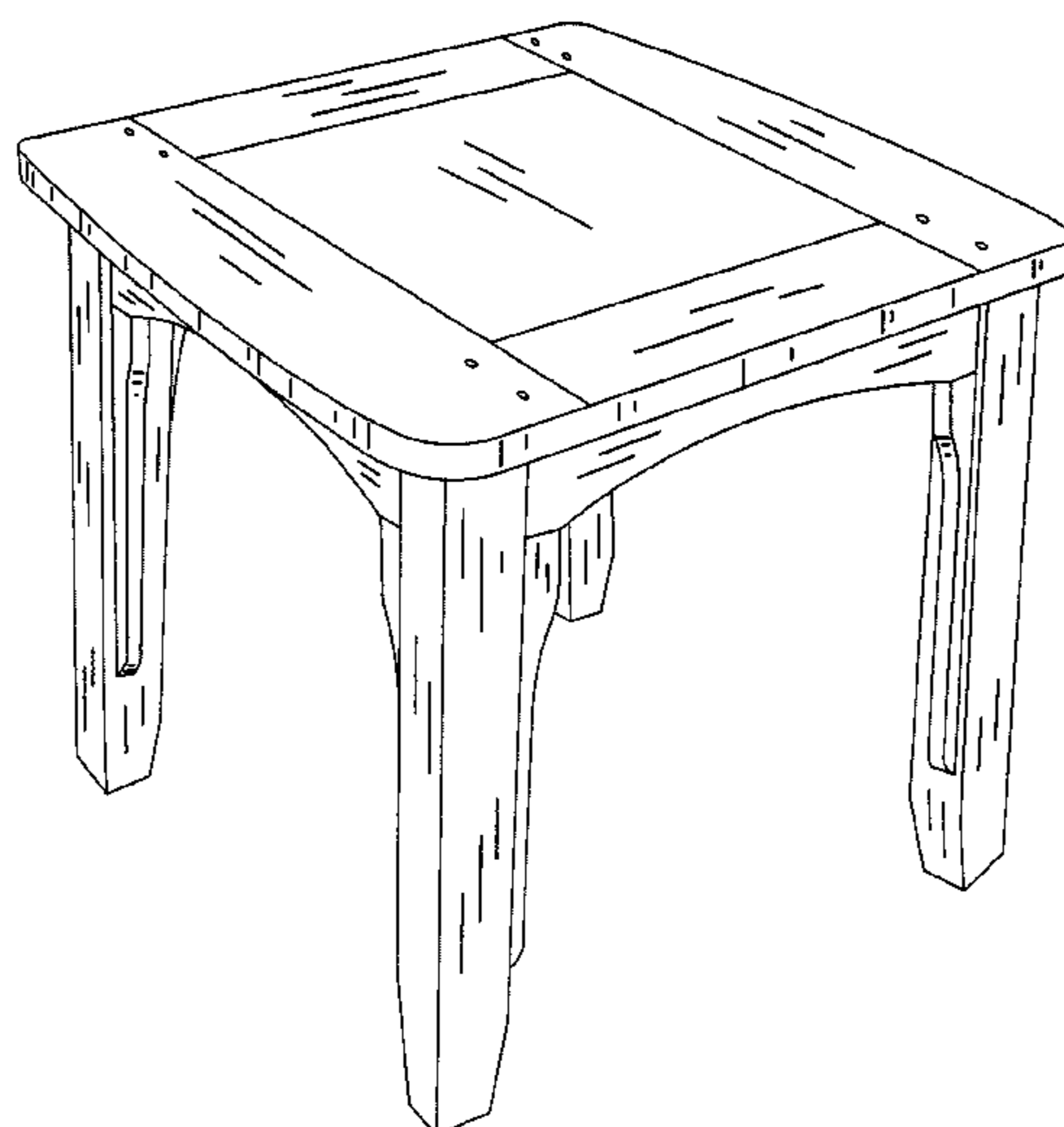
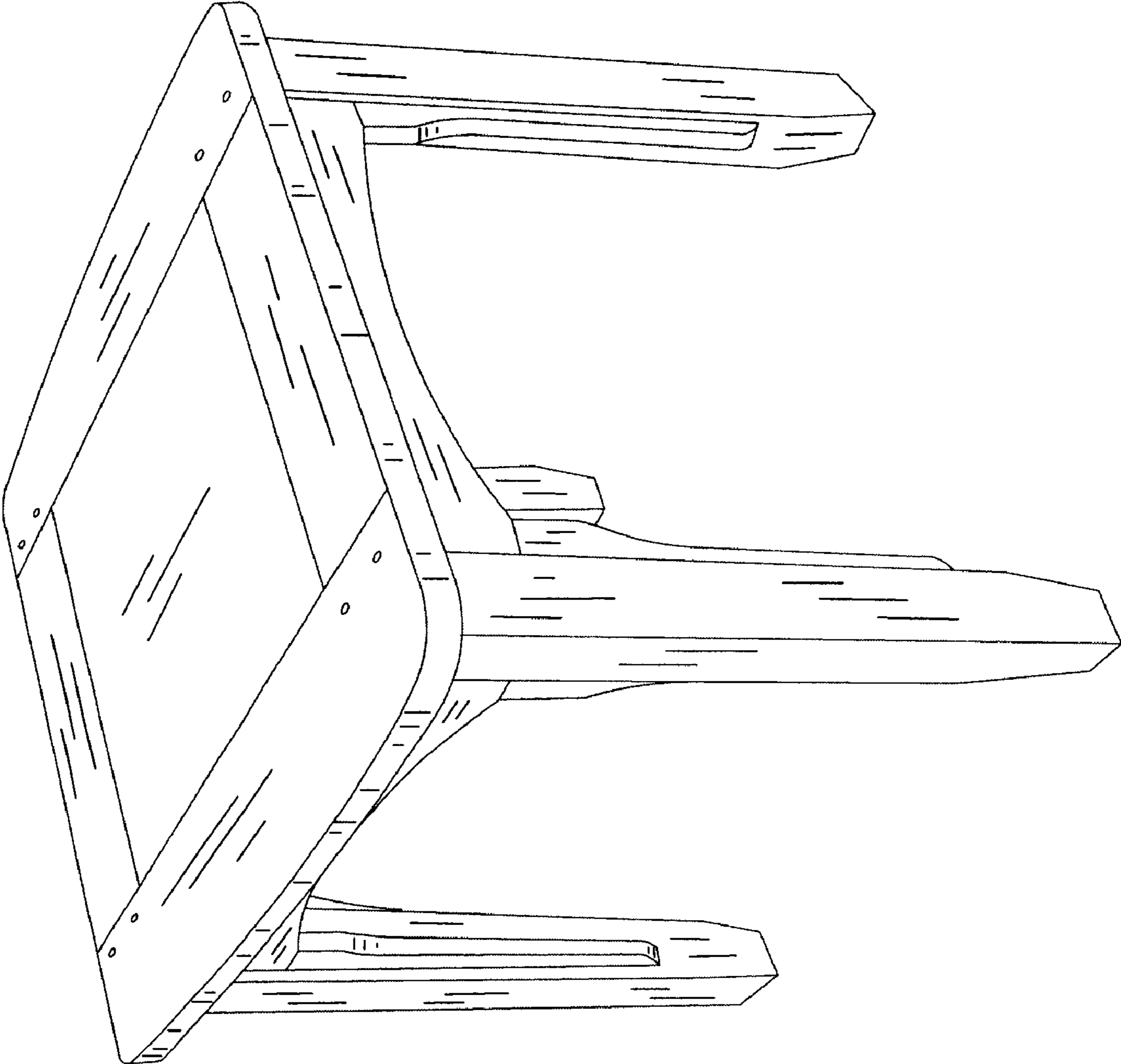


FIG. 1



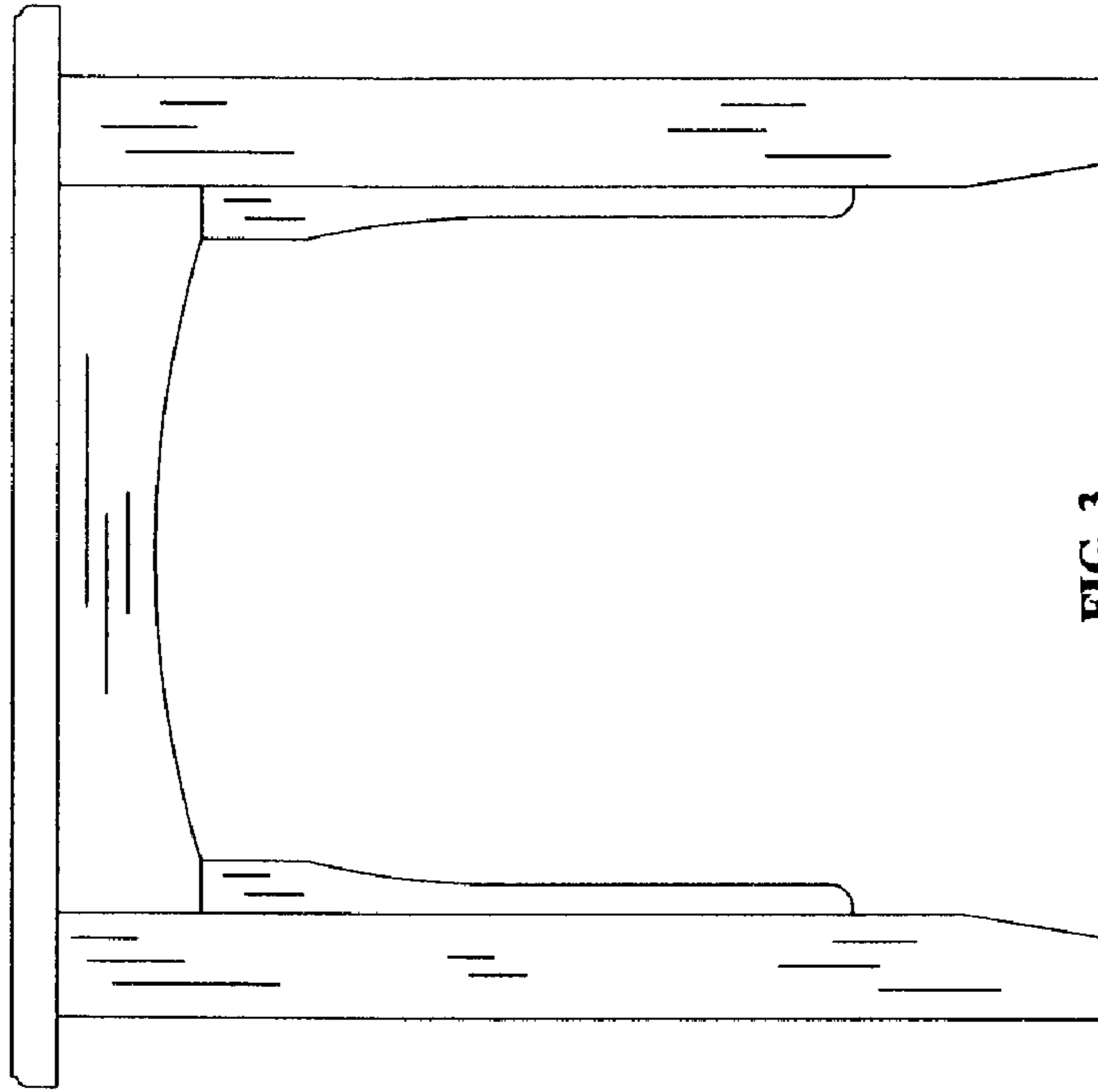


FIG. 3

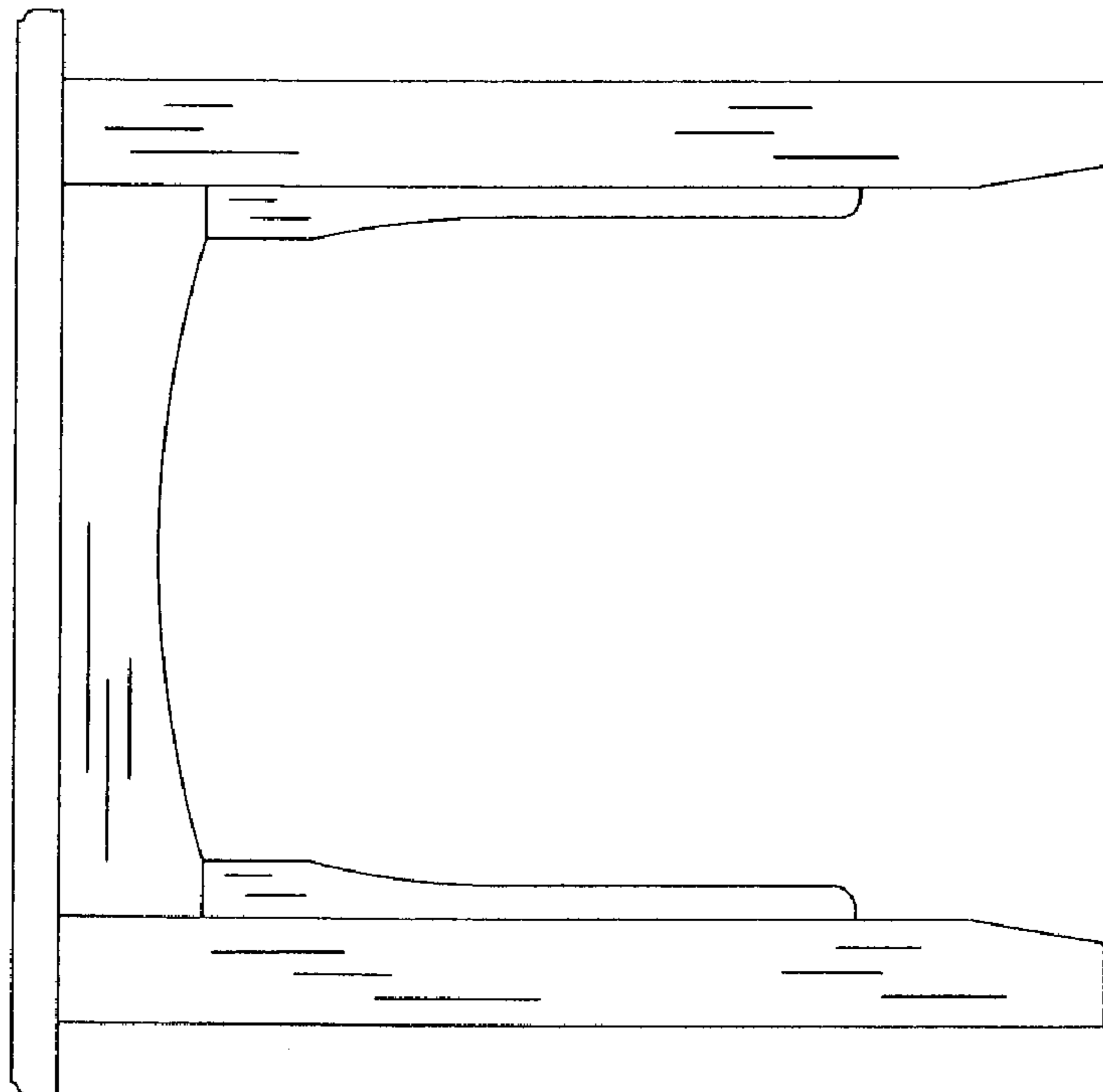


FIG. 2

FIG. 4

