



US00D529732S

(12) **United States Design Patent**
Evans et al.

(10) **Patent No.:** **US D529,732 S**
(45) **Date of Patent:** **** Oct. 10, 2006**

(54) **CABINET**

(75) Inventors: **Edwin E. Evans**, Irvine, CA (US); **J. Gordon Crawford**, Riverside, CA (US); **Amritpal S. Dhanjal**, Chino, CA (US)

(73) Assignee: **Potter Roemer, LLC**, City of Industry, CA (US)

(**) Term: **14 Years**

(21) Appl. No.: **29/223,195**

(22) Filed: **Feb. 9, 2005**

(51) **LOC (8) Cl.** **06-04**

(52) **U.S. Cl.** **D6/448; D6/432**

(58) **Field of Classification Search** D6/432-448;
D99/28; 312/204

See application file for complete search history.

(56) **References Cited**

U.S. PATENT DOCUMENTS

D195,373 S	*	6/1963	Dwyer	D99/28
D288,761 S	*	3/1987	Dunn	D6/515
D289,777 S	*	5/1987	Thomas	D99/28
D315,153 S	*	3/1991	Cleghorn	D20/1
D358,951 S	*	6/1995	Raynor	D6/421

D401,780 S	*	12/1998	Simon et al.	D6/445
D426,059 S	*	6/2000	Siler et al.	D3/294
D451,701 S	*	12/2001	Martin et al.	D6/446

* cited by examiner

Primary Examiner—Cathron C. Brooks

(74) *Attorney, Agent, or Firm*—Michael Best & Friedrich LLP

(57) **CLAIM**

We claim the ornamental design for a cabinet, as shown and described.

DESCRIPTION

FIG. 1 is a perspective view of a cabinet in a closed position embodying the invention;

FIG. 2 is a perspective view of the cabinet of FIG. 1 in an open position;

FIG. 3 is a front view of the cabinet of FIG. 1;

FIG. 4 is a right side view of the cabinet of FIG. 1;

FIG. 5 is a rear view of the cabinet of FIG. 1;

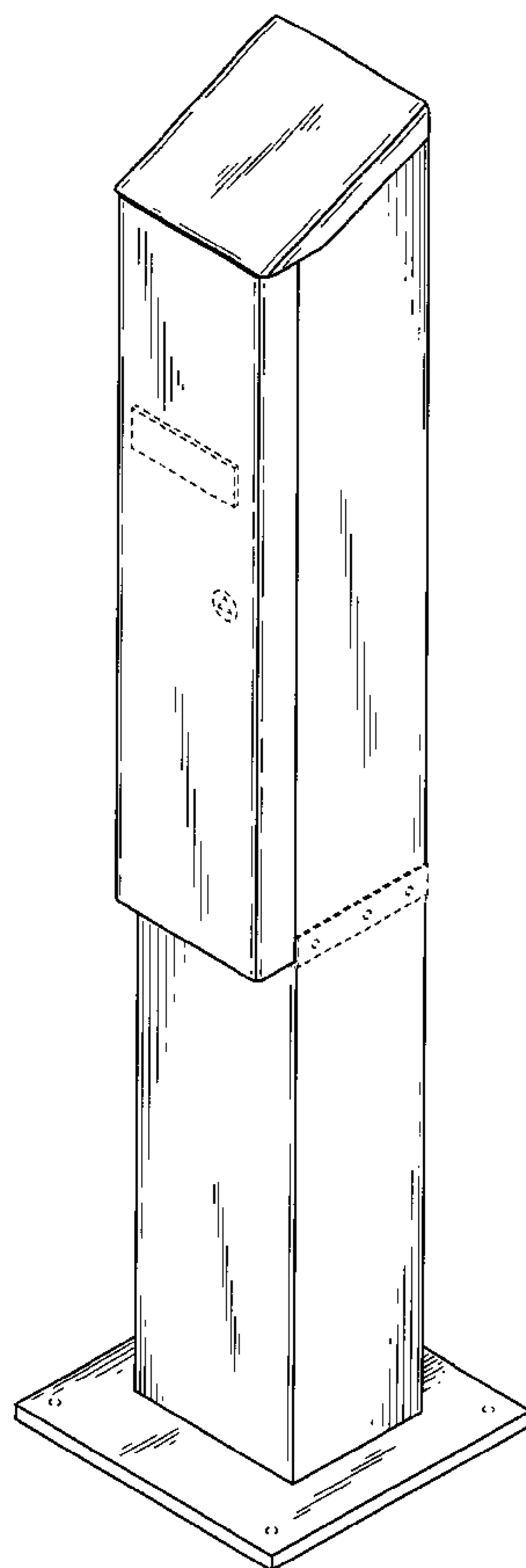
FIG. 6 is a left side view of the cabinet of FIG. 1;

FIG. 7 is a top view of the cabinet of FIG. 1; and,

FIG. 8 is a bottom view of the cabinet of FIG. 1.

The broken line showing of the environment is for illustrative purposes only and forms no part of the claimed design.

1 Claim, 5 Drawing Sheets



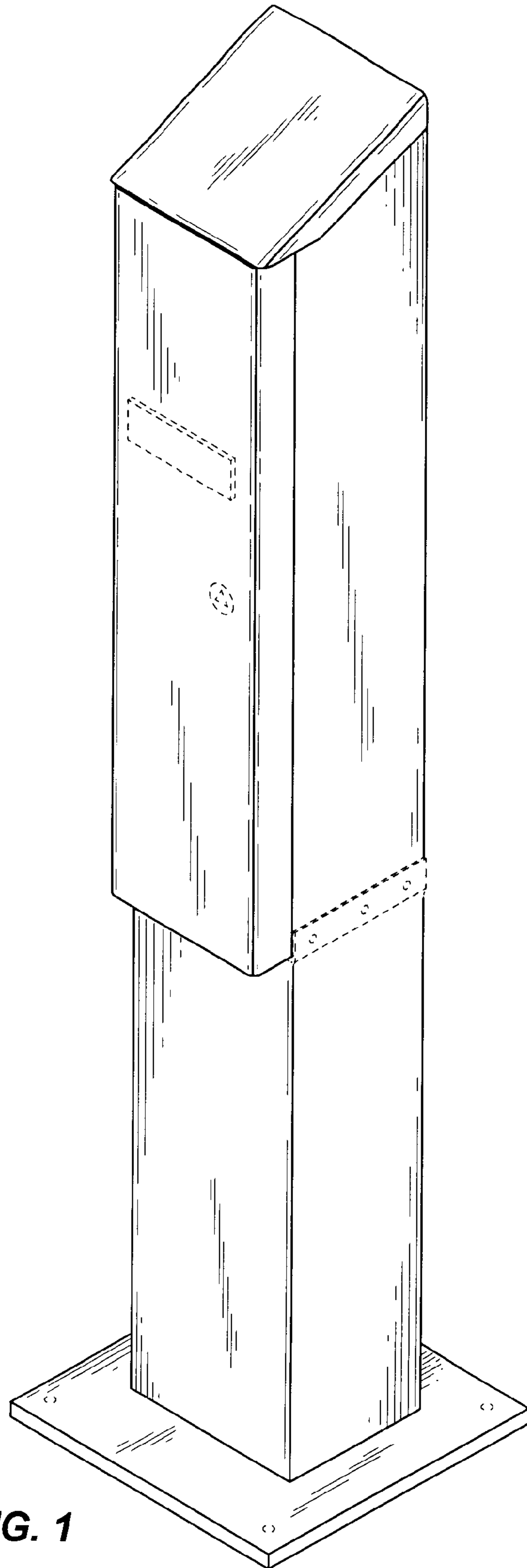


FIG. 1

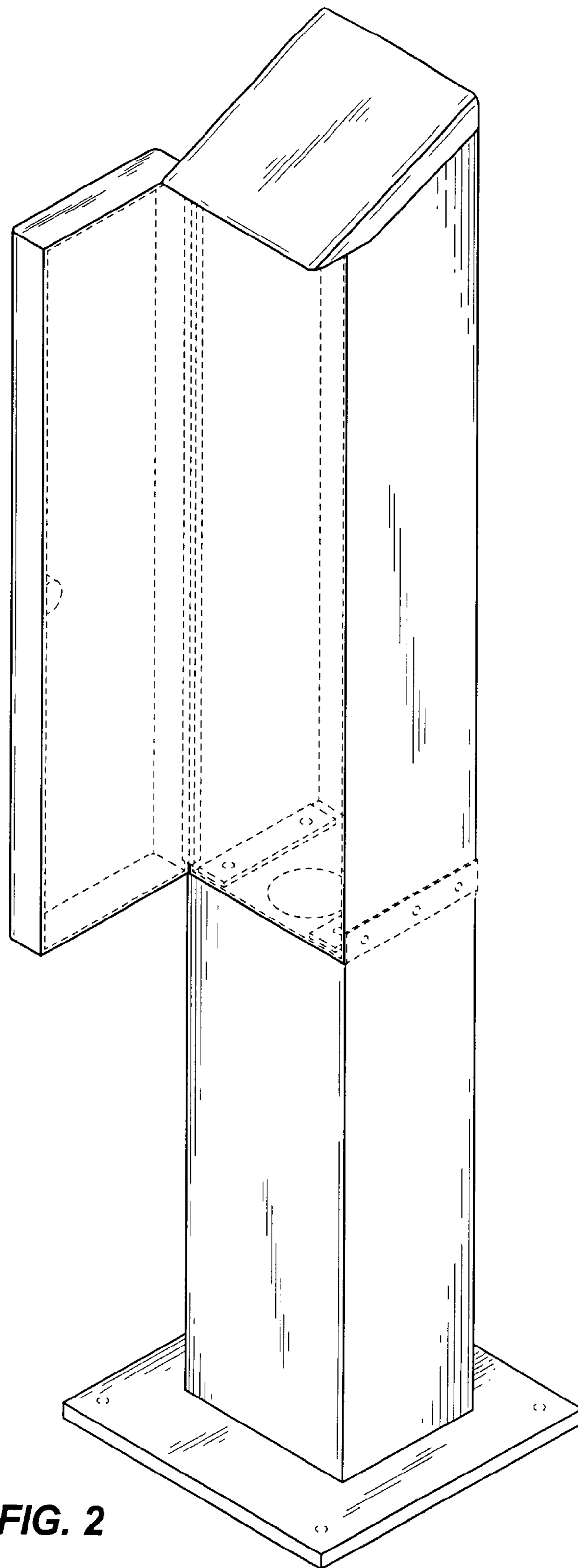
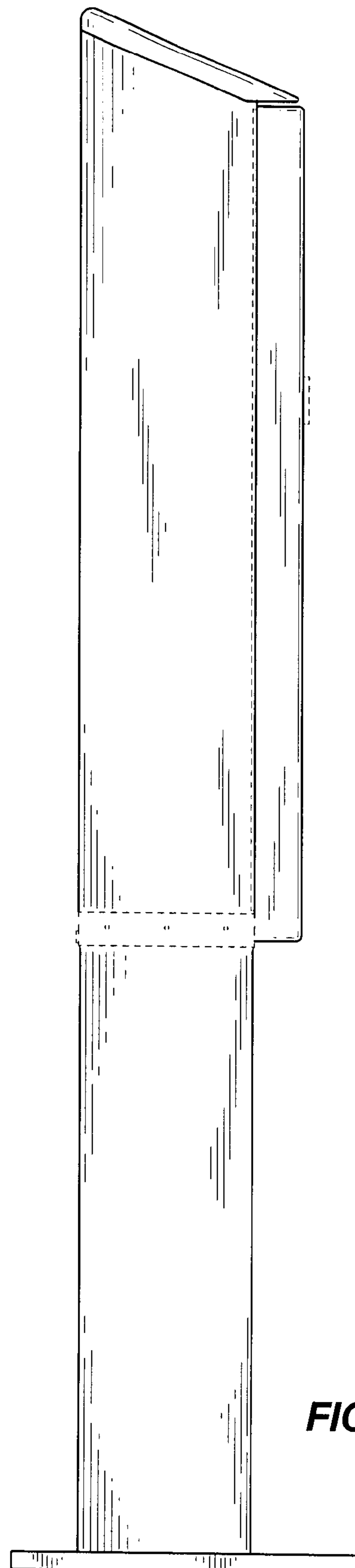
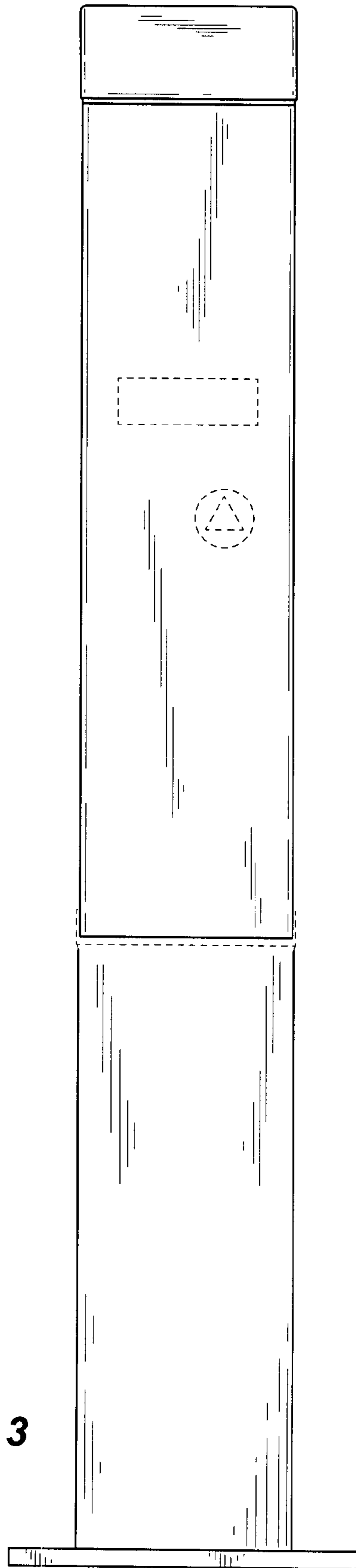


FIG. 2



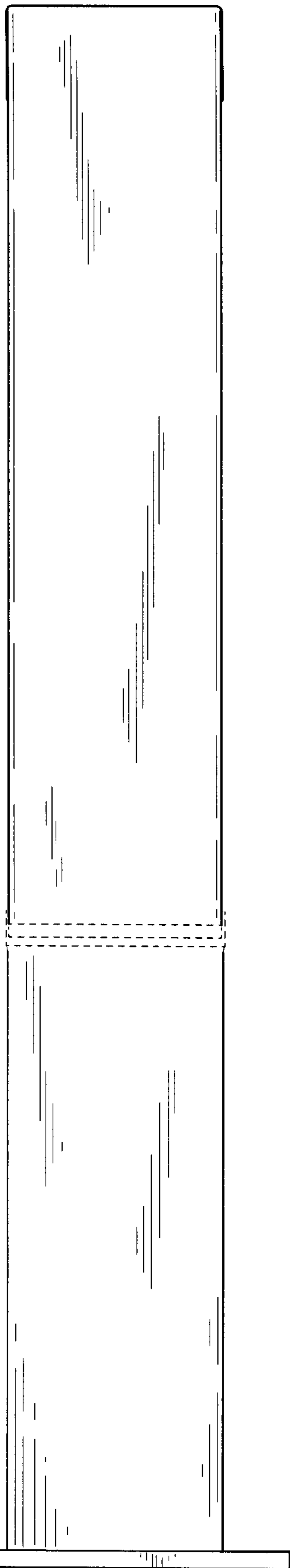


FIG. 5

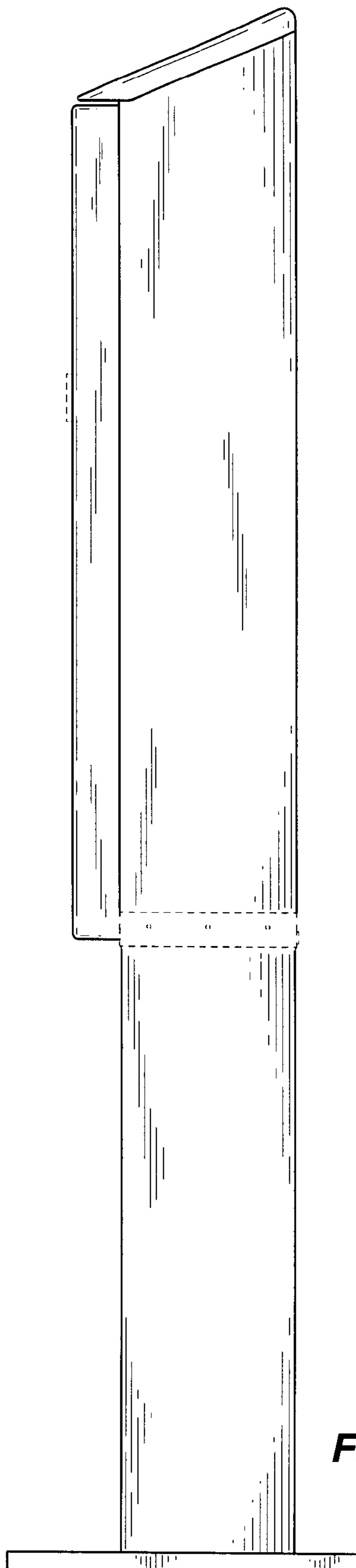


FIG. 6

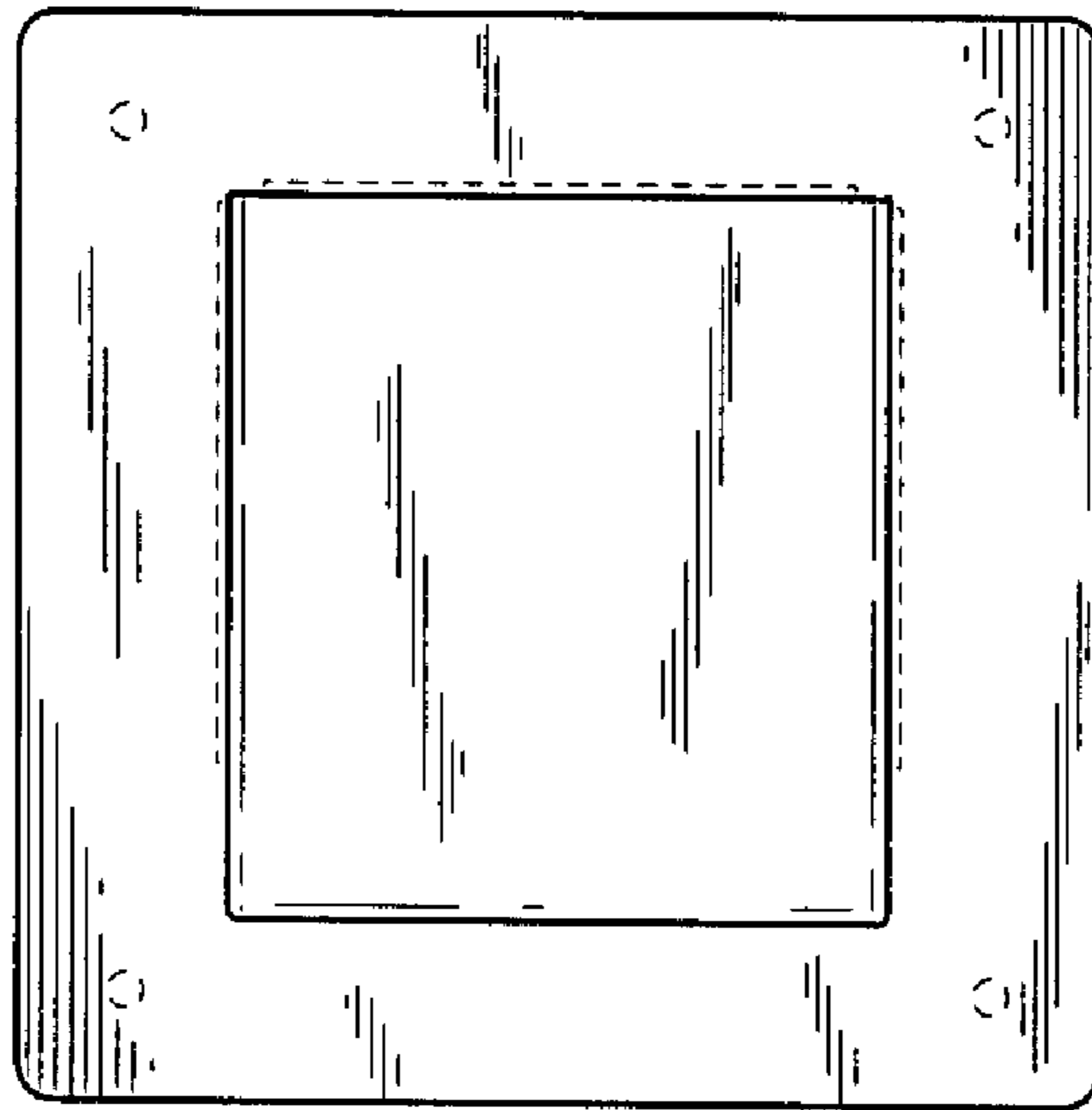


FIG. 7

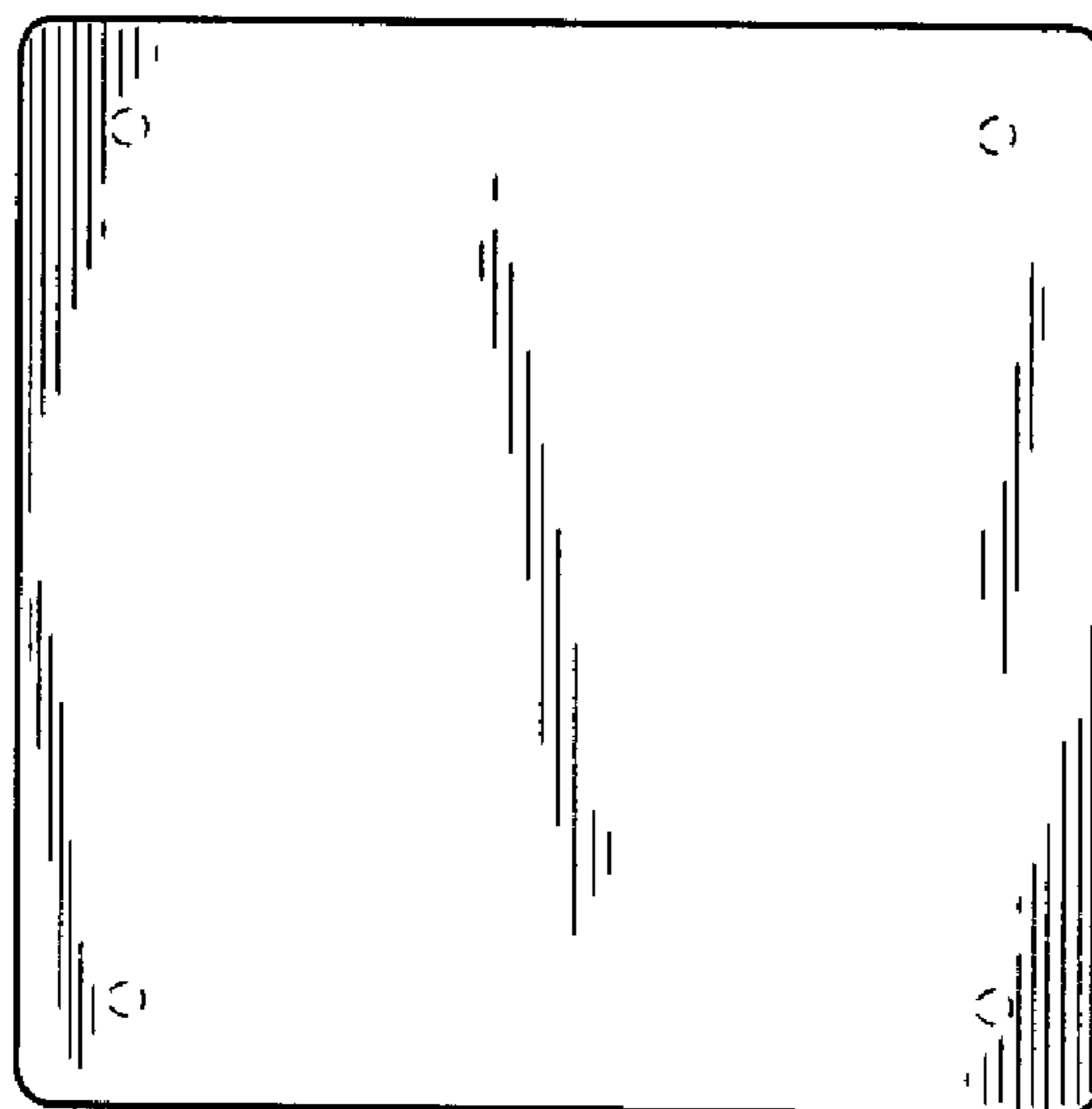


FIG. 8