



US00D529730S

(12) **United States Design Patent**
McDiarmid

(10) **Patent No.:** **US D529,730 S**

(45) **Date of Patent:** **** Oct. 10, 2006**

(54) **DESK WITH DRAWERS**

(75) Inventor: **Ronald D. McDiarmid**, City of Industry, CA (US)

(73) Assignee: **Gruga, U.S.A.**, City of Industry, CA (US)

(**) Term: **14 Years**

(21) Appl. No.: **29/228,221**

(22) Filed: **Apr. 20, 2005**

(51) **LOC (8) Cl.** **06-03**

(52) **U.S. Cl.** **D6/422**

(58) **Field of Classification Search** D6/422-426,
D6/429, 480, 474; 108/50.01, 50.02, 147.19;
312/194-196, 203, 239

See application file for complete search history.

(56) **References Cited**

U.S. PATENT DOCUMENTS

D90,710 S * 9/1933 Goodman D6/426
D159,564 S * 8/1950 Tuses D6/420

D220,443 S * 4/1971 Beavers D6/428
D237,130 S * 10/1975 San Giovanni D6/428
D389,664 S * 1/1998 Kotkosky D6/397

* cited by examiner

Primary Examiner—Janice E. Seeger

(74) *Attorney, Agent, or Firm*—Sheppard, Mullin, Richter & Hampton LLP

(57) **CLAIM**

I claim the ornamental design for a desk with drawers, as shown and described.

DESCRIPTION

FIG. 1 is a front right perspective view of a desk with drawers embodying our new design.

FIG. 2 is a front elevational view of the desk of FIG. 1.

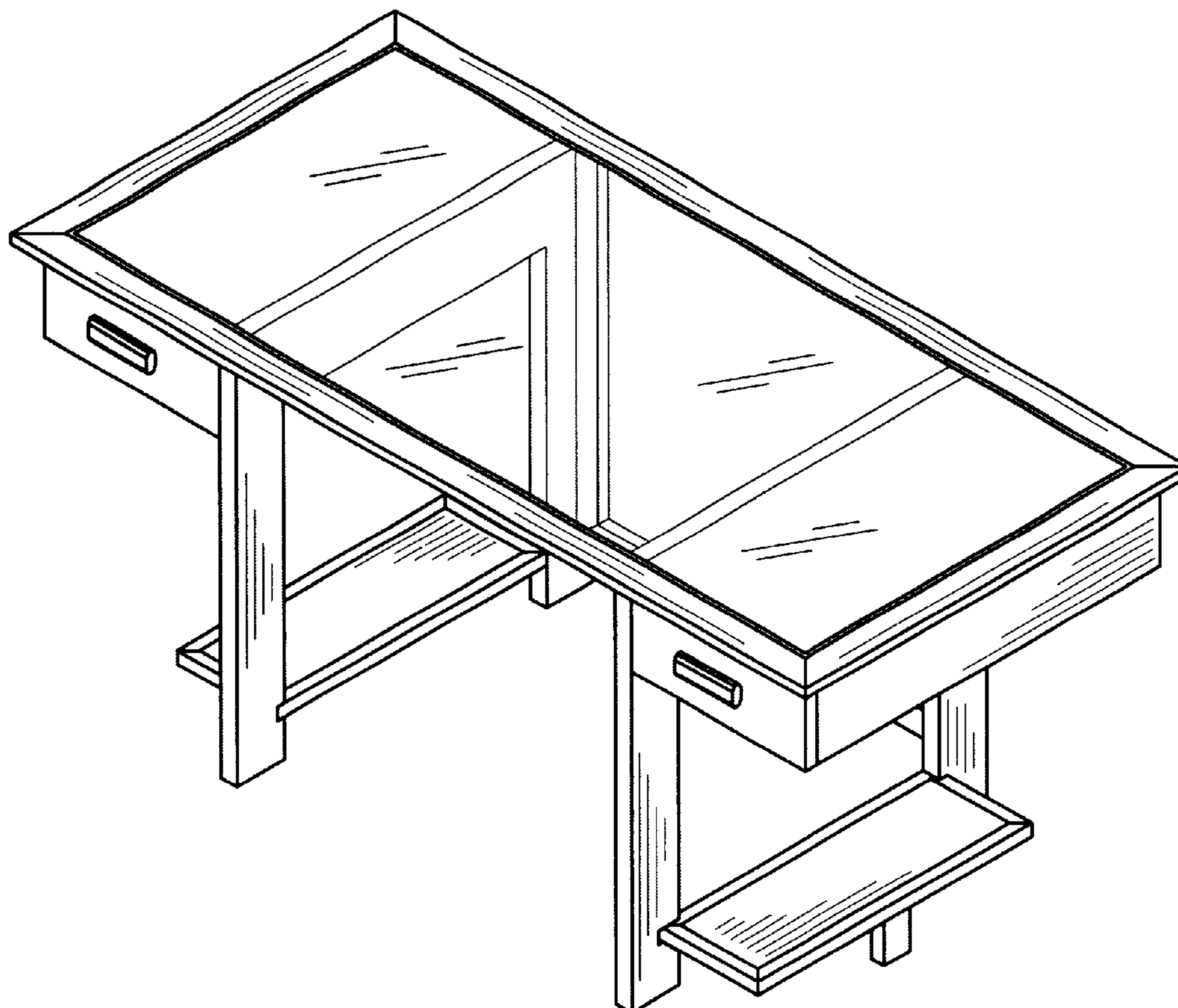
FIG. 3 is a rear elevational view of the desk of FIG. 1.

FIG. 4 is a right side elevational view, which is a mirror image of the left side elevational view, of the desk of FIG. 1.

FIG. 5 is a top plan view of the desk of FIG. 1; and,

FIG. 6 is a bottom plan view of the desk of FIG. 1.

1 Claim, 3 Drawing Sheets



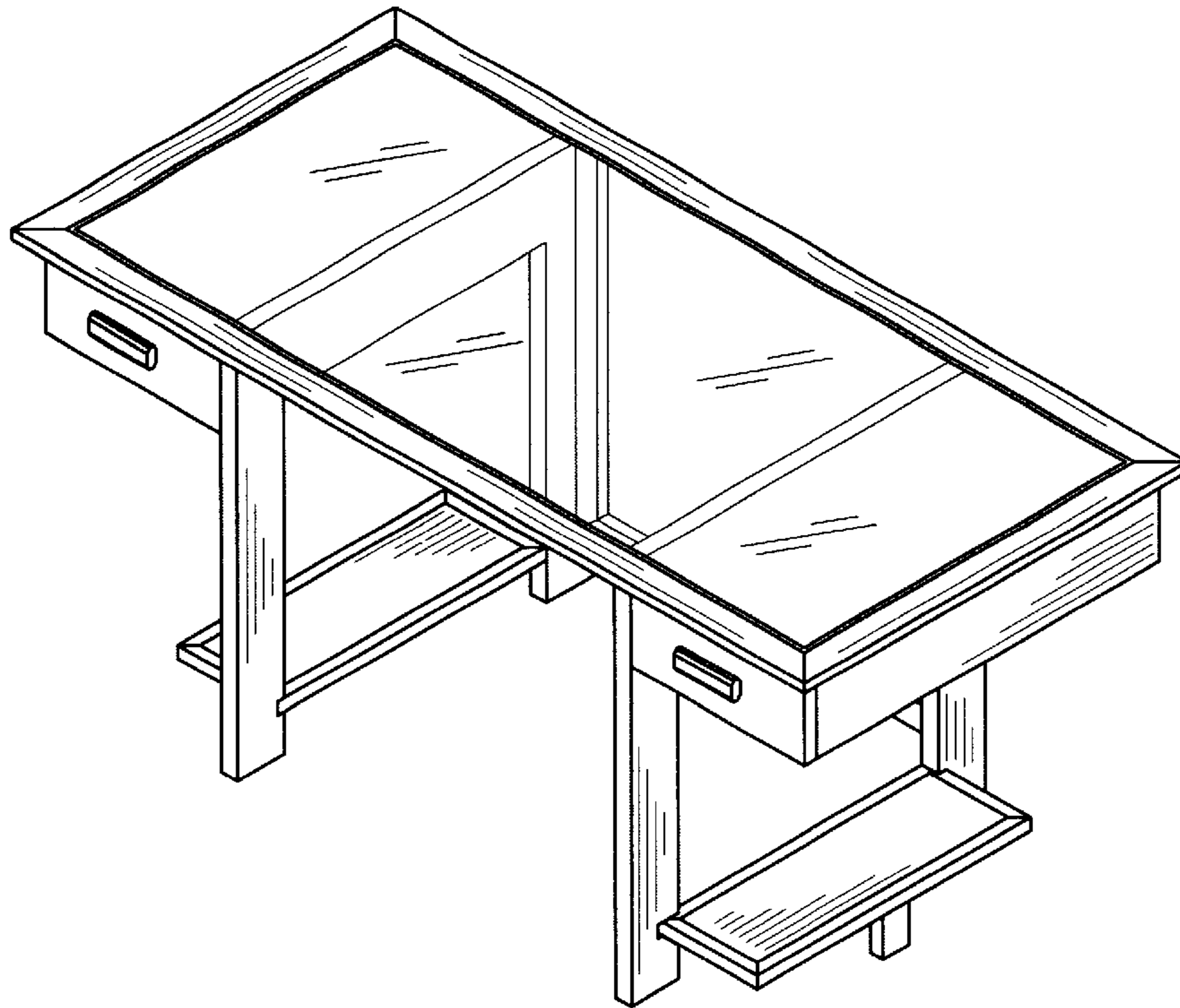


FIG. 1

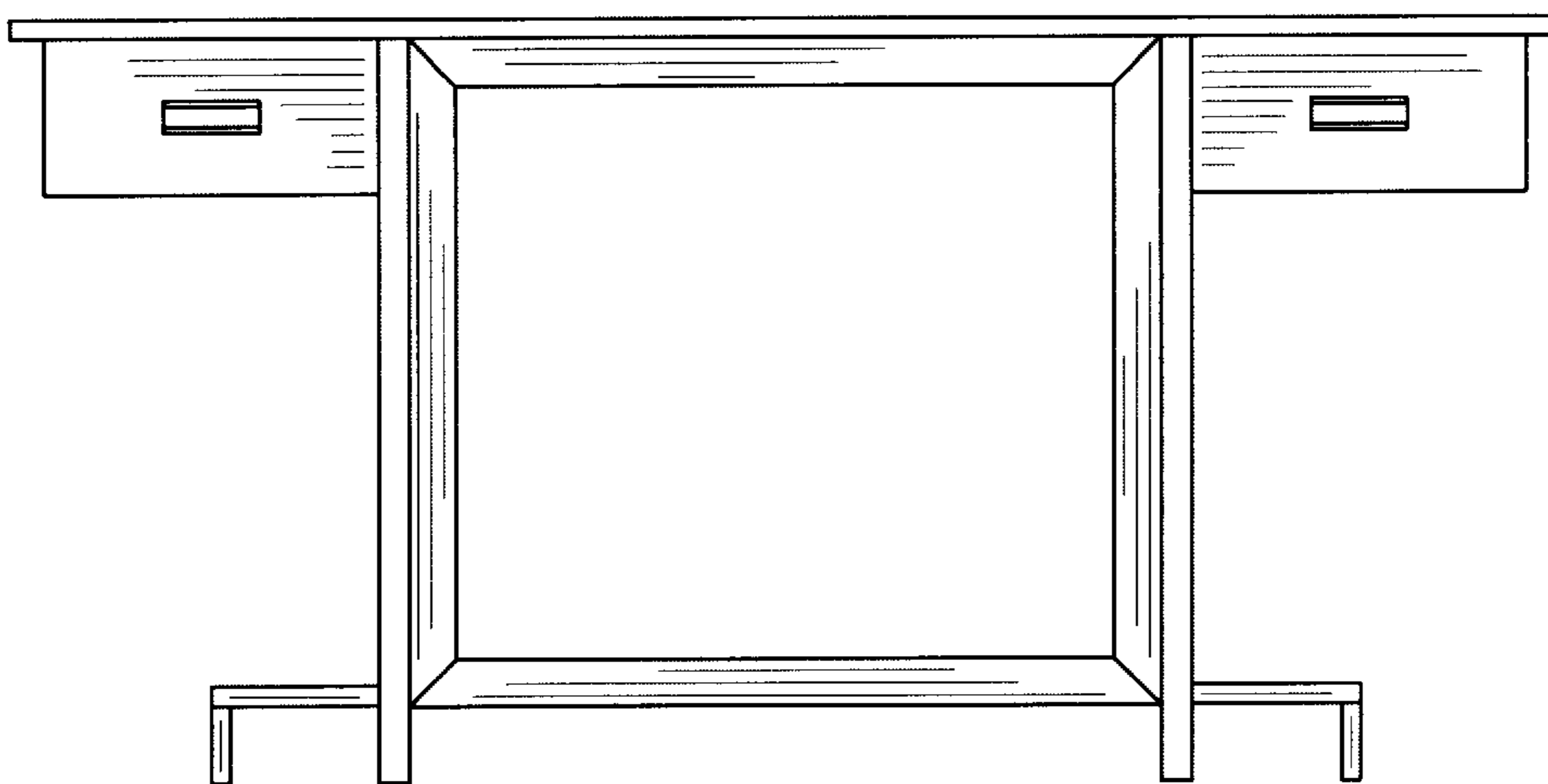


FIG. 2

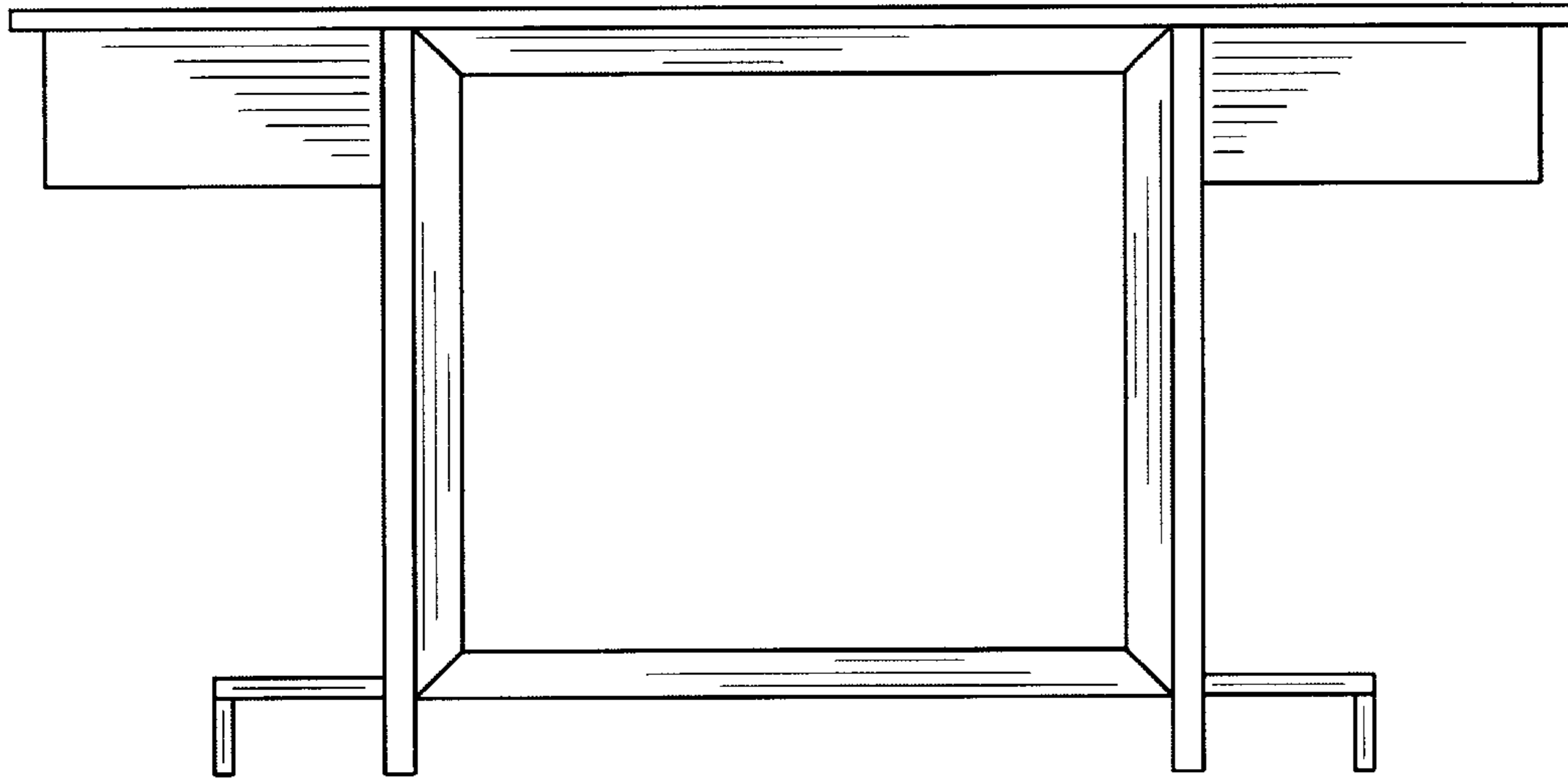


FIG. 3

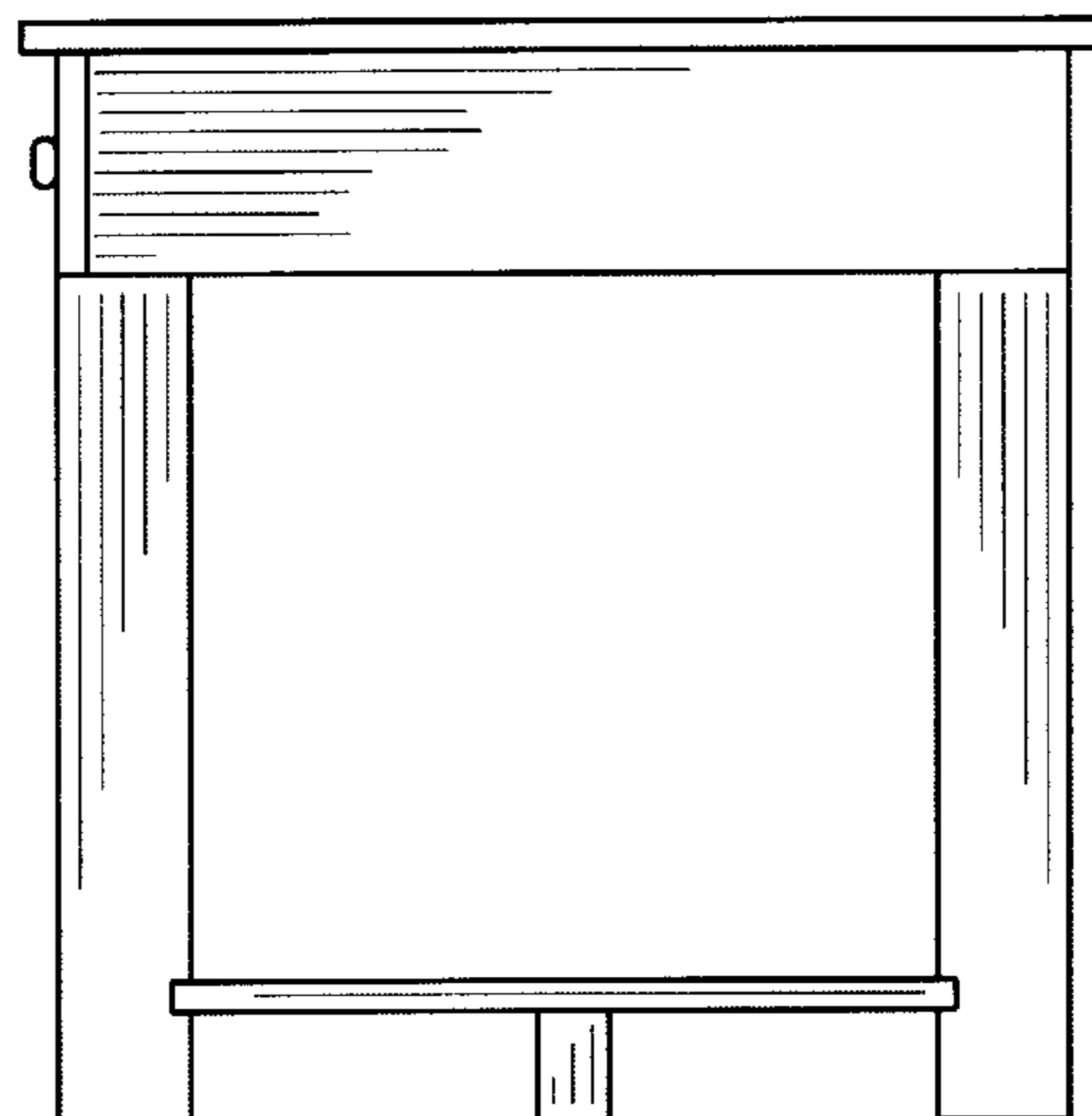


FIG. 4

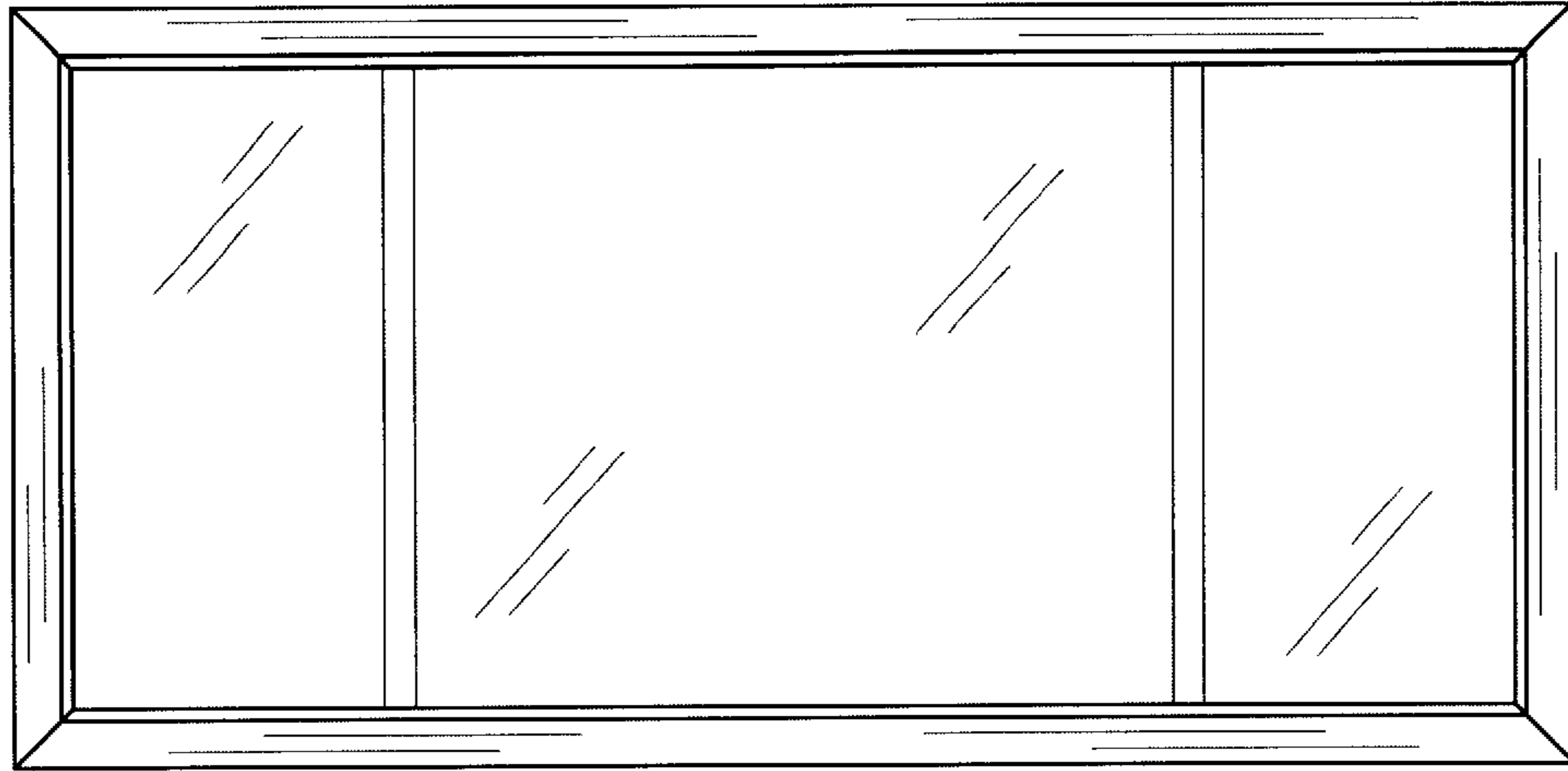


FIG. 5

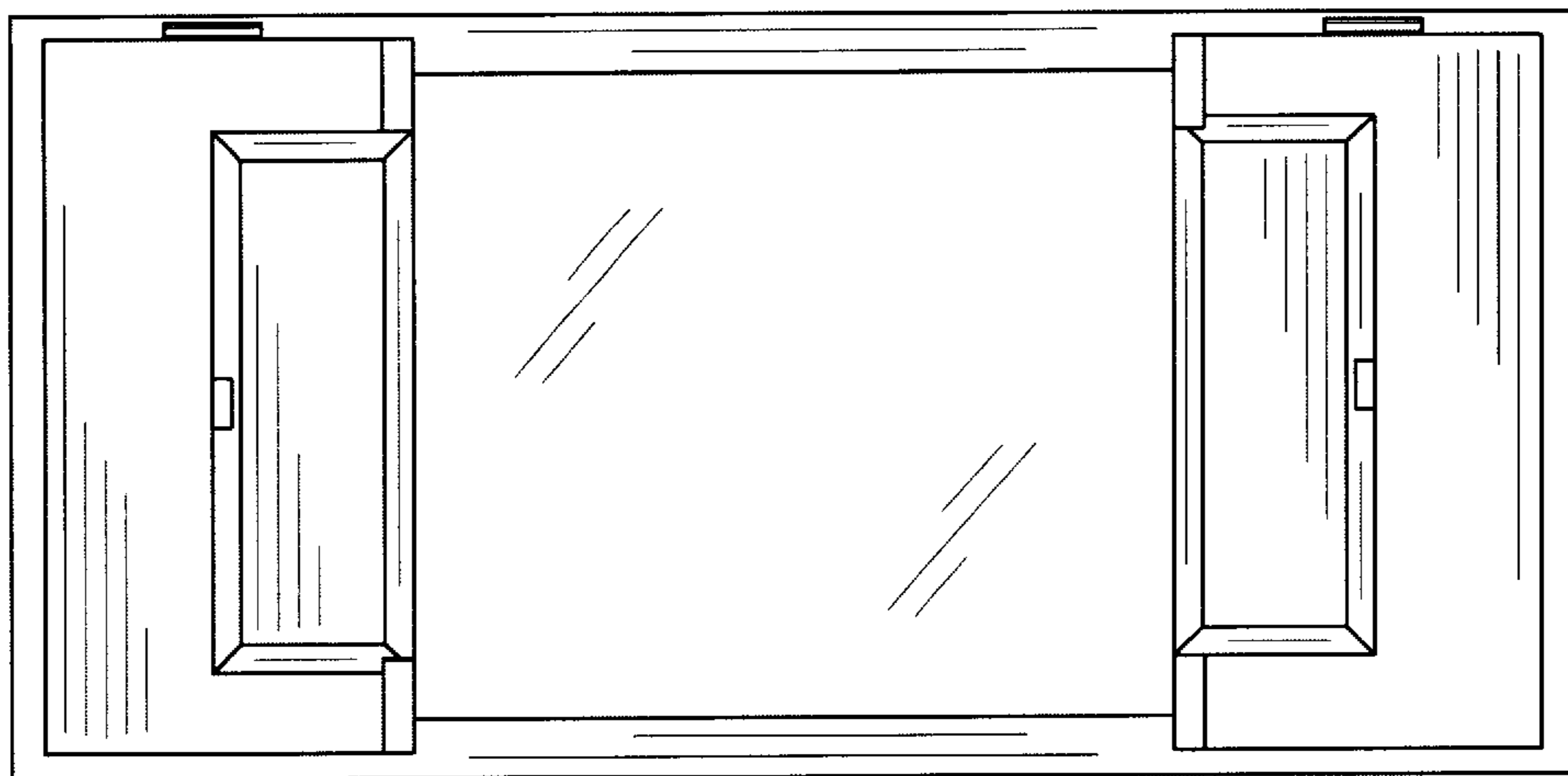


FIG. 6