



US00D529726S

(12) **United States Design Patent**
Cutler et al.

(10) **Patent No.:** **US D529,726 S**
(45) **Date of Patent:** **** Oct. 10, 2006**

(54) **CHURCH CHAIR**

(75) Inventors: **James L. Cutler**, Brainbridge Island, WA (US); **Bruce E. Anderson**, Brainbridge Island, WA (US)

(73) Assignee: **Culter Anderson Architects, PLLC**, Bainbridge Island, WA (US)

(**) Term: **14 Years**

(21) Appl. No.: **29/220,511**

(22) Filed: **Dec. 30, 2004**

(51) **LOC (8) Cl.** **06-01**

(52) **U.S. Cl.** **D6/334**

(58) **Field of Classification Search** D6/332, D6/334-337, 340, 349, 355, 352-353, 369-370, D6/381, 495, 499-502; 5/12.1; 108/118, 108/119, 137; 297/16.1-16.2, 451.9, 452.11, 297/452.63, 217.1, 31, 175, 423.1, 423.16, 297/461, 232

See application file for complete search history.

(56) **References Cited**

U.S. PATENT DOCUMENTS

2,439,322	A	*	4/1948	Thaden	297/451.1
2,698,049	A	*	12/1954	Lamb	297/160
D219,016	S	*	10/1970	Muller	D6/375
D341,954	S	*	12/1993	Thompson	D6/374
D365,454	S	*	12/1995	Thomson	D6/380
D473,407	S	*	4/2003	Ross	D6/500

* cited by examiner

Primary Examiner—Sandra S. Snapp

(74) *Attorney, Agent, or Firm*—Paul, Hastings, Janofsky & Walker LLP

(57) **CLAIM**

The ornamental design for a church chair, as shown and described.

DESCRIPTION

FIG. 1 is a front perspective view of a church chair constructed in accordance with, and embodying, the principles of the present invention;

FIG. 2 is a rear perspective view of the church chair depicted in FIG. 1;

FIG. 3 is a front elevational view of the church chair depicted in FIG. 1;

FIG. 4 is a back elevational view of the church chair depicted in FIG. 1;

FIG. 5 is a side elevational view of the church chair depicted in FIG. 1, the opposite side elevational view being a mirror image;

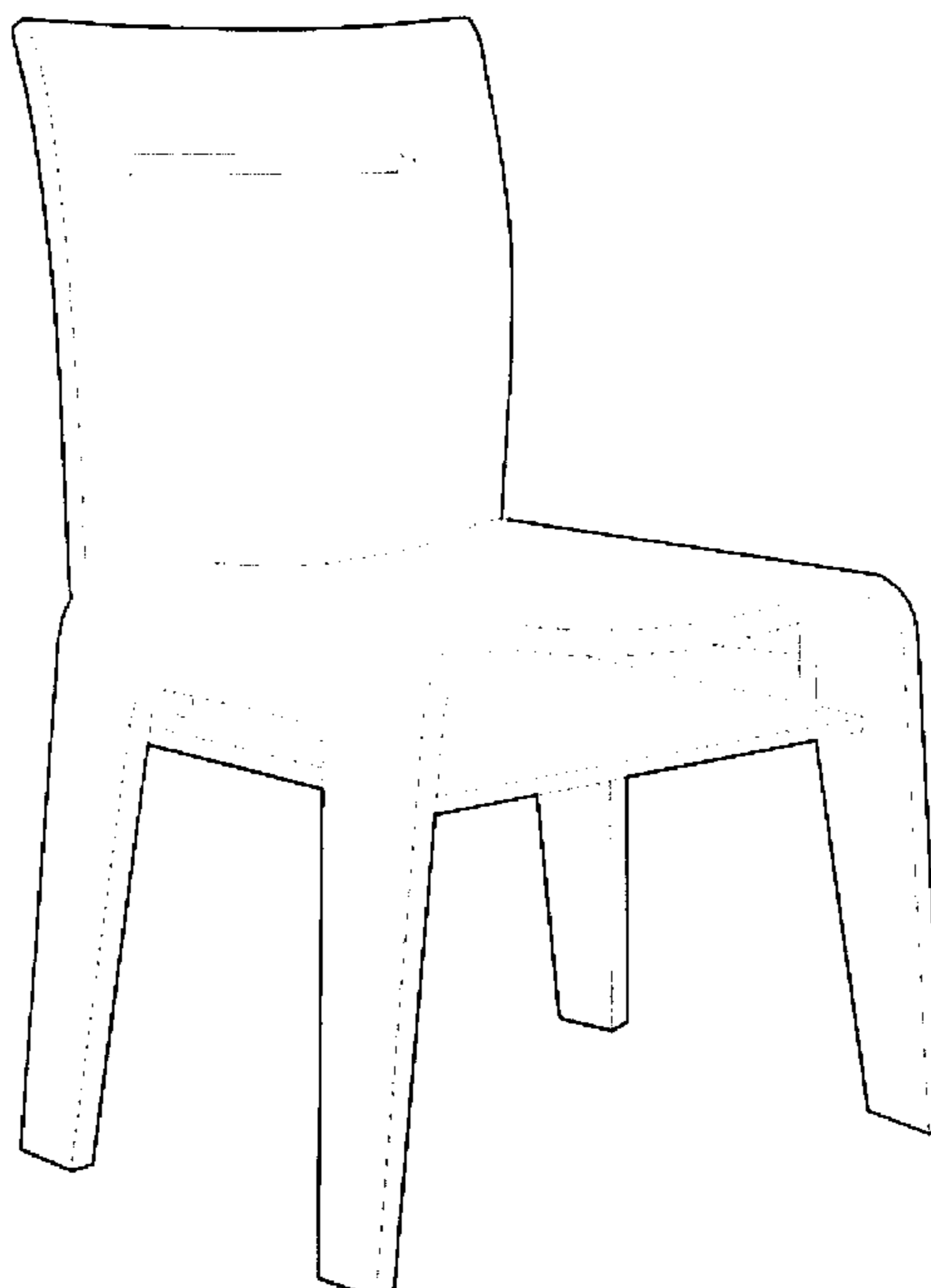
FIG. 6 is a top plan view of the church chair depicted in FIG. 1;

FIG. 7 is a side elevational view of an alternative embodiment of the church chair depicted in FIG. 1, this embodiment shown with arms; and,

FIG. 8 is a front elevational view of the alternative embodiment of the church chair depicted in FIG. 7, this embodiment shown with arms and the opposite side being a mirror image thereof.

The surface(s) or portion(s) of the article not shown in the drawing or described in the specification form(s) no part of the claimed design.

1 Claim, 7 Drawing Sheets



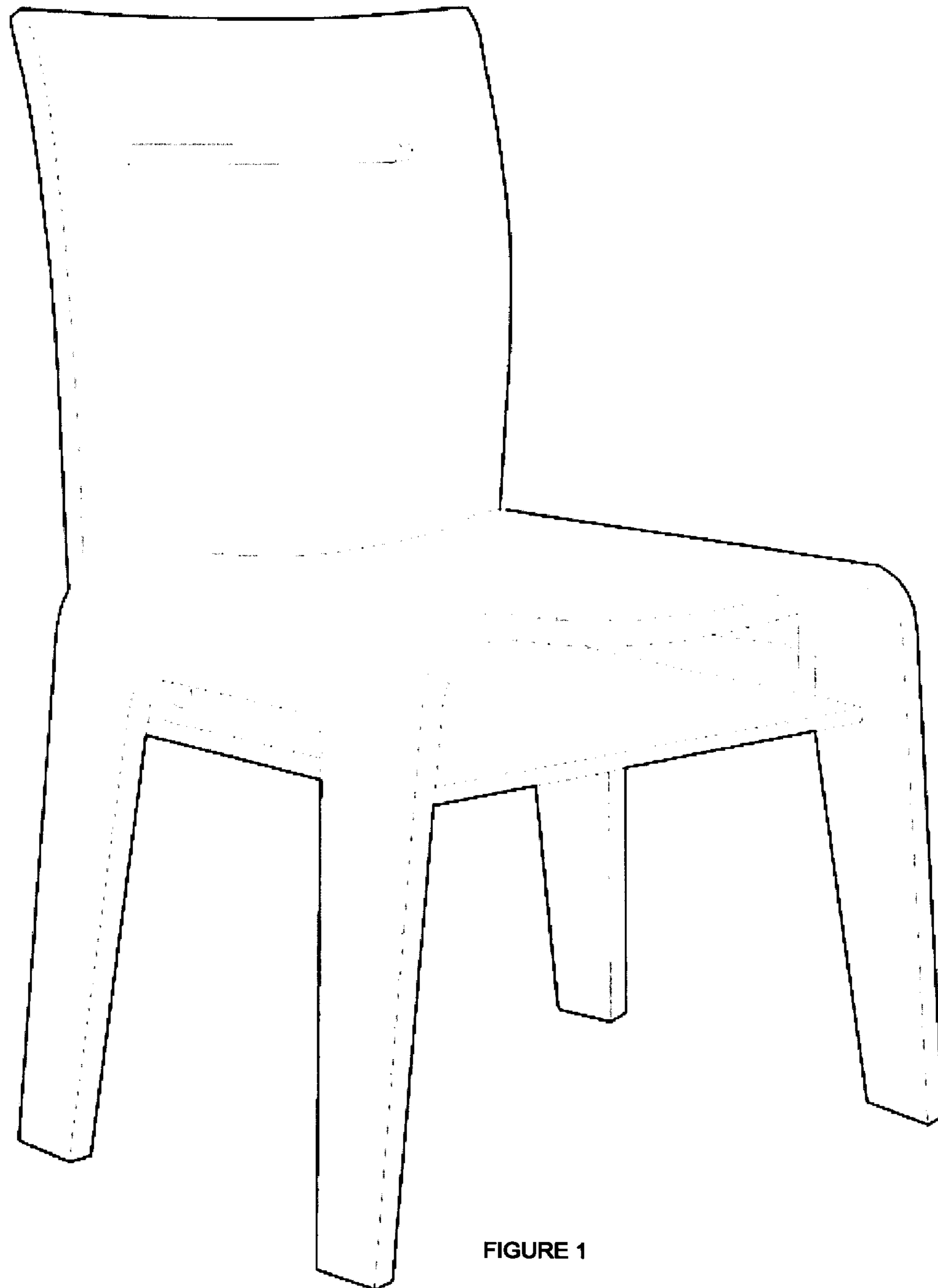


FIGURE 1

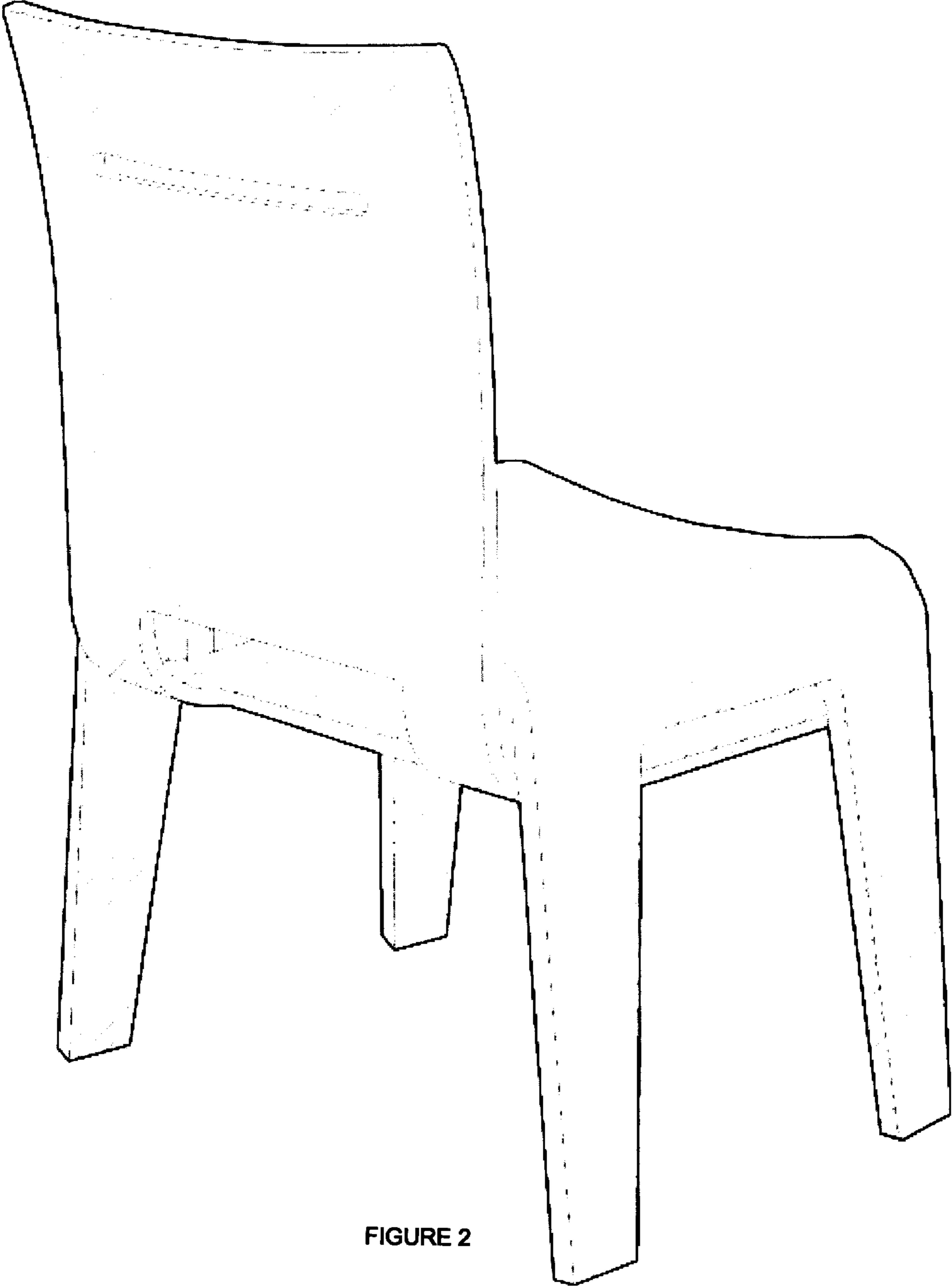


FIGURE 2

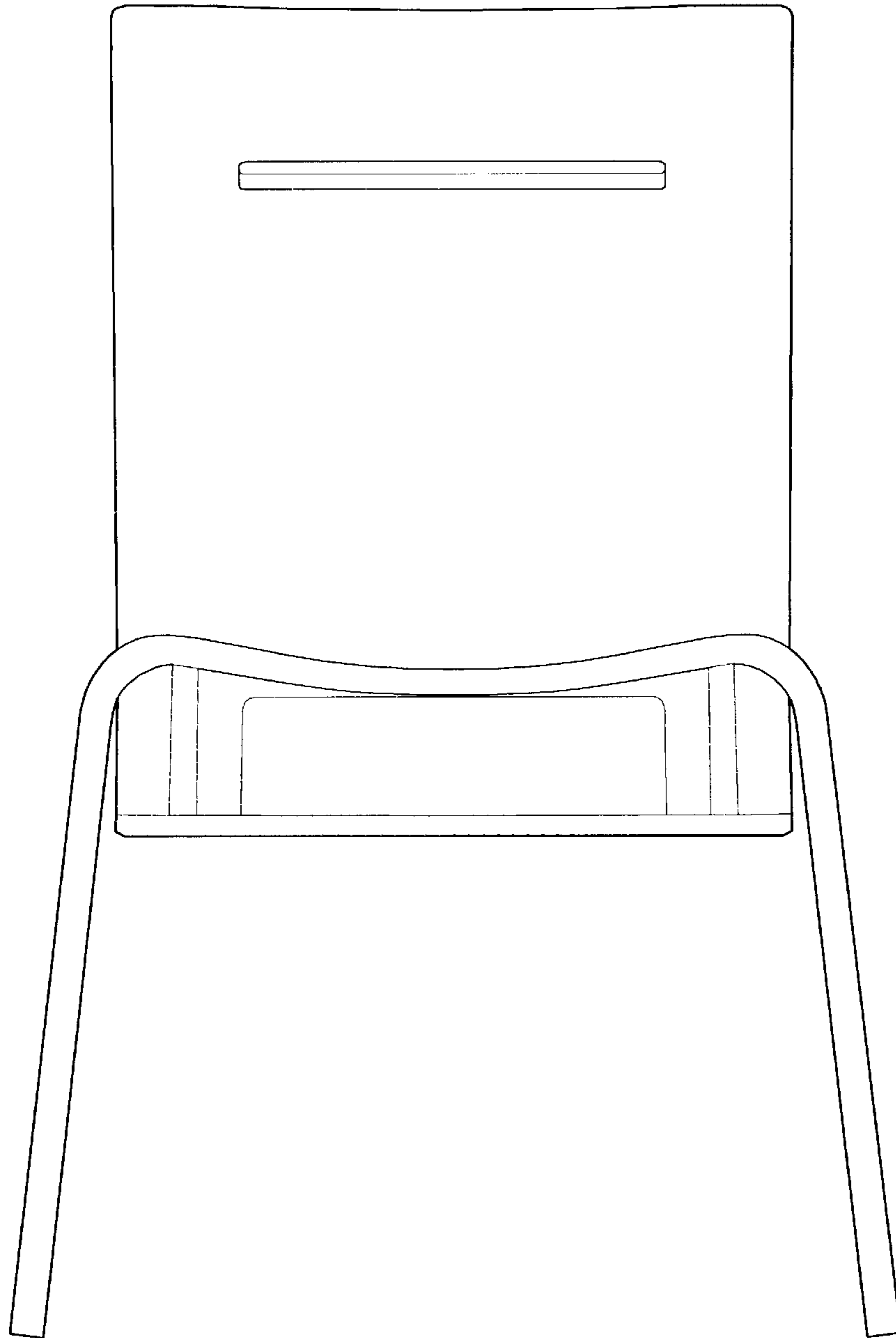


FIGURE 3

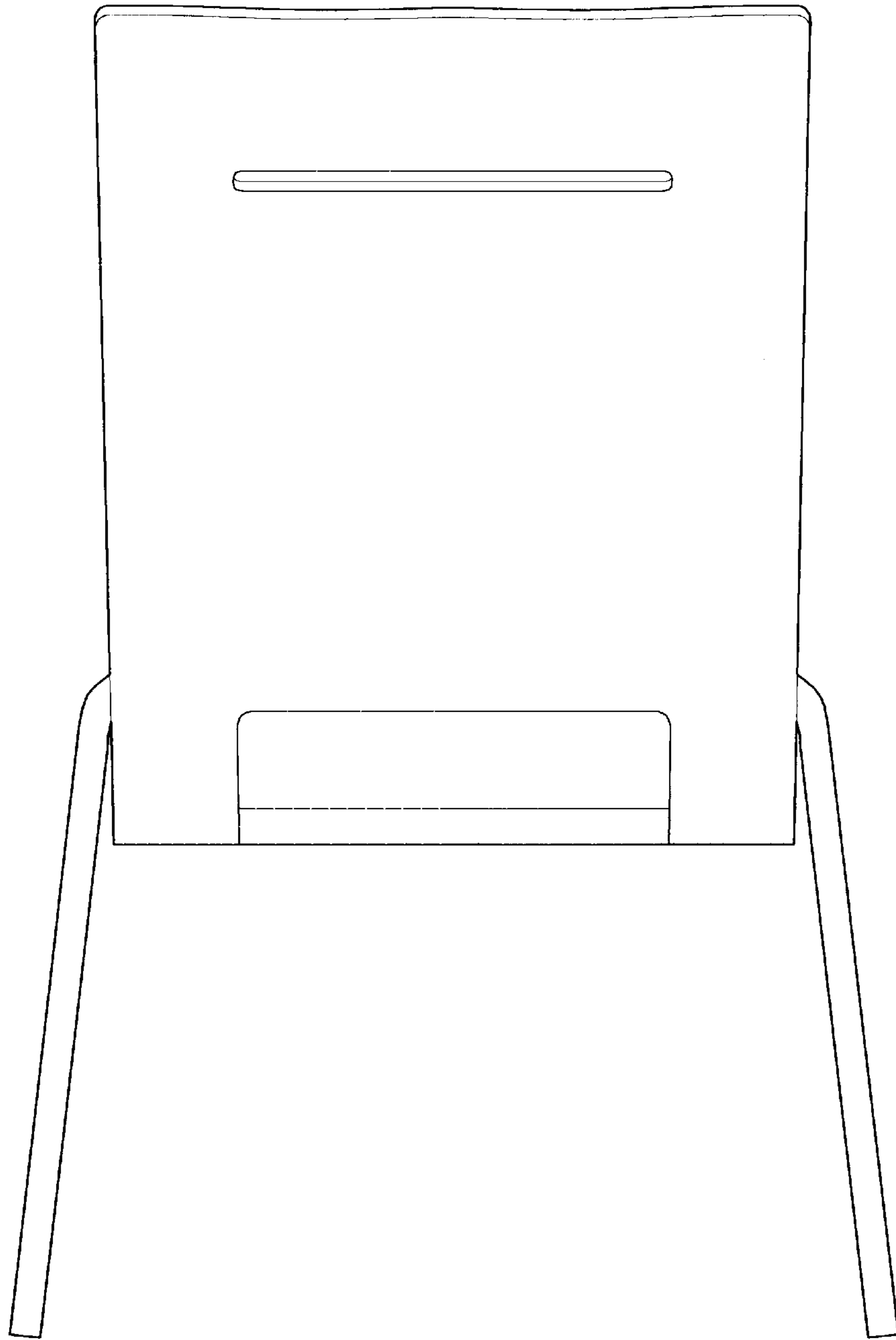


FIGURE 4

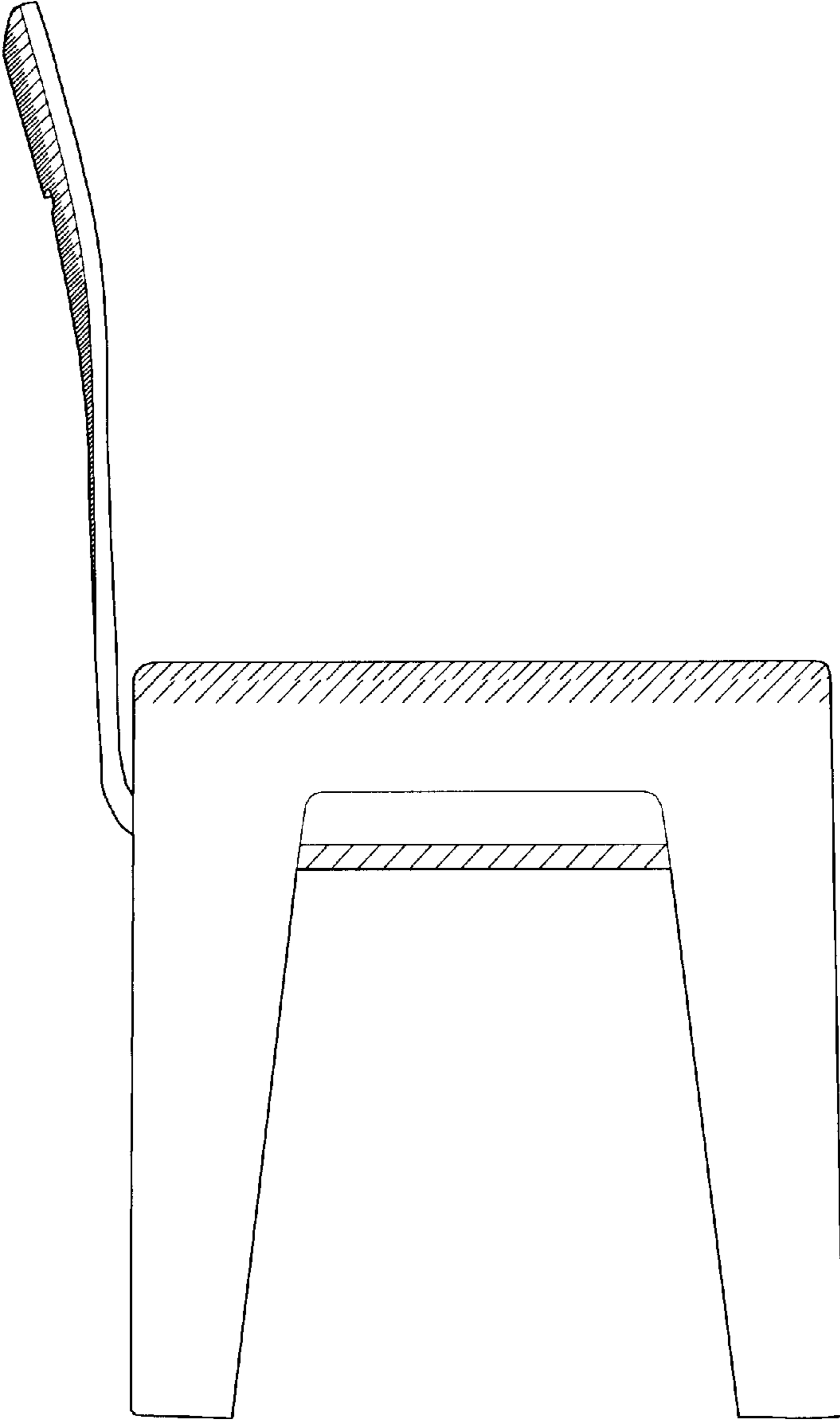


FIGURE 5

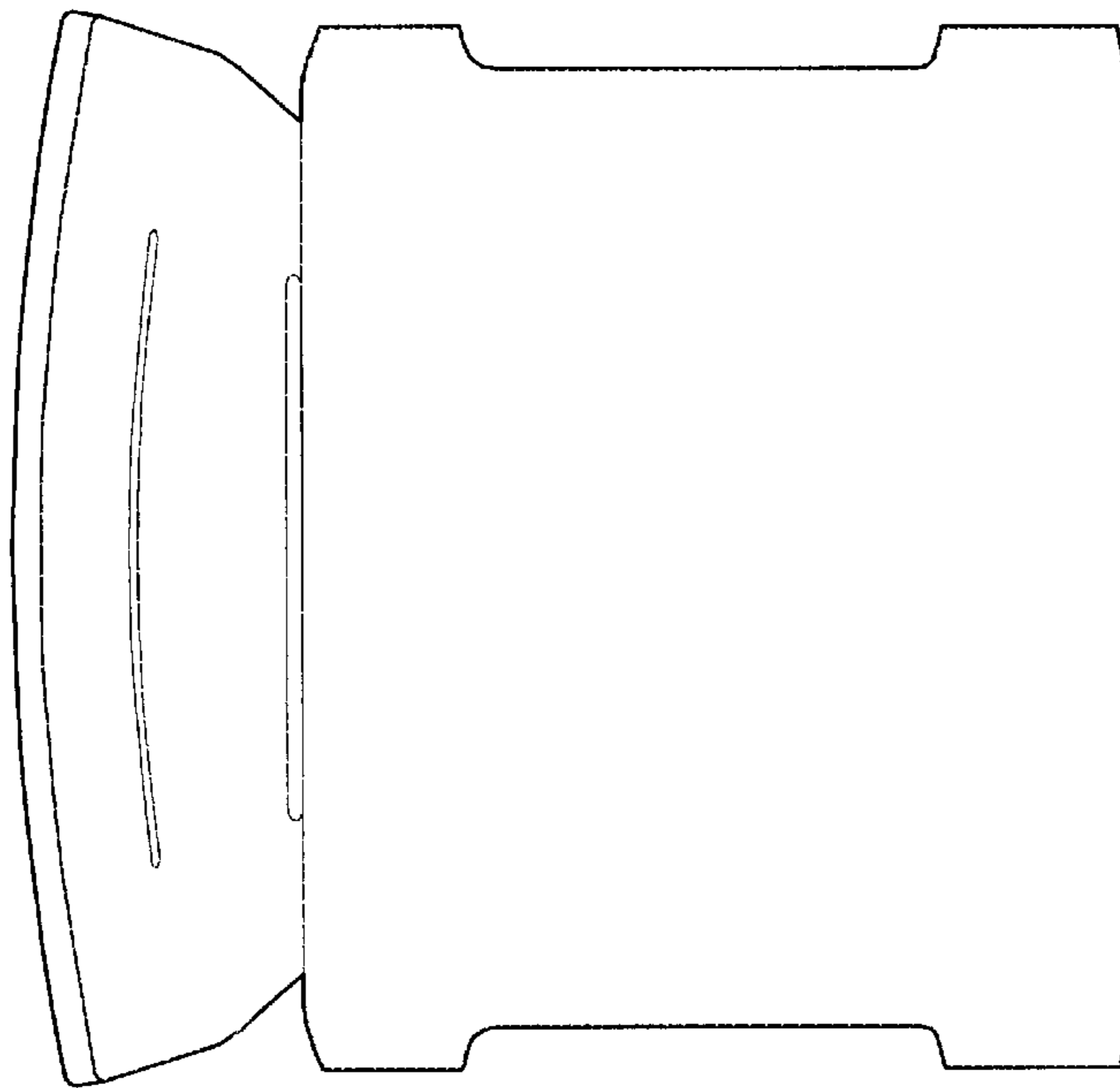


FIGURE 6

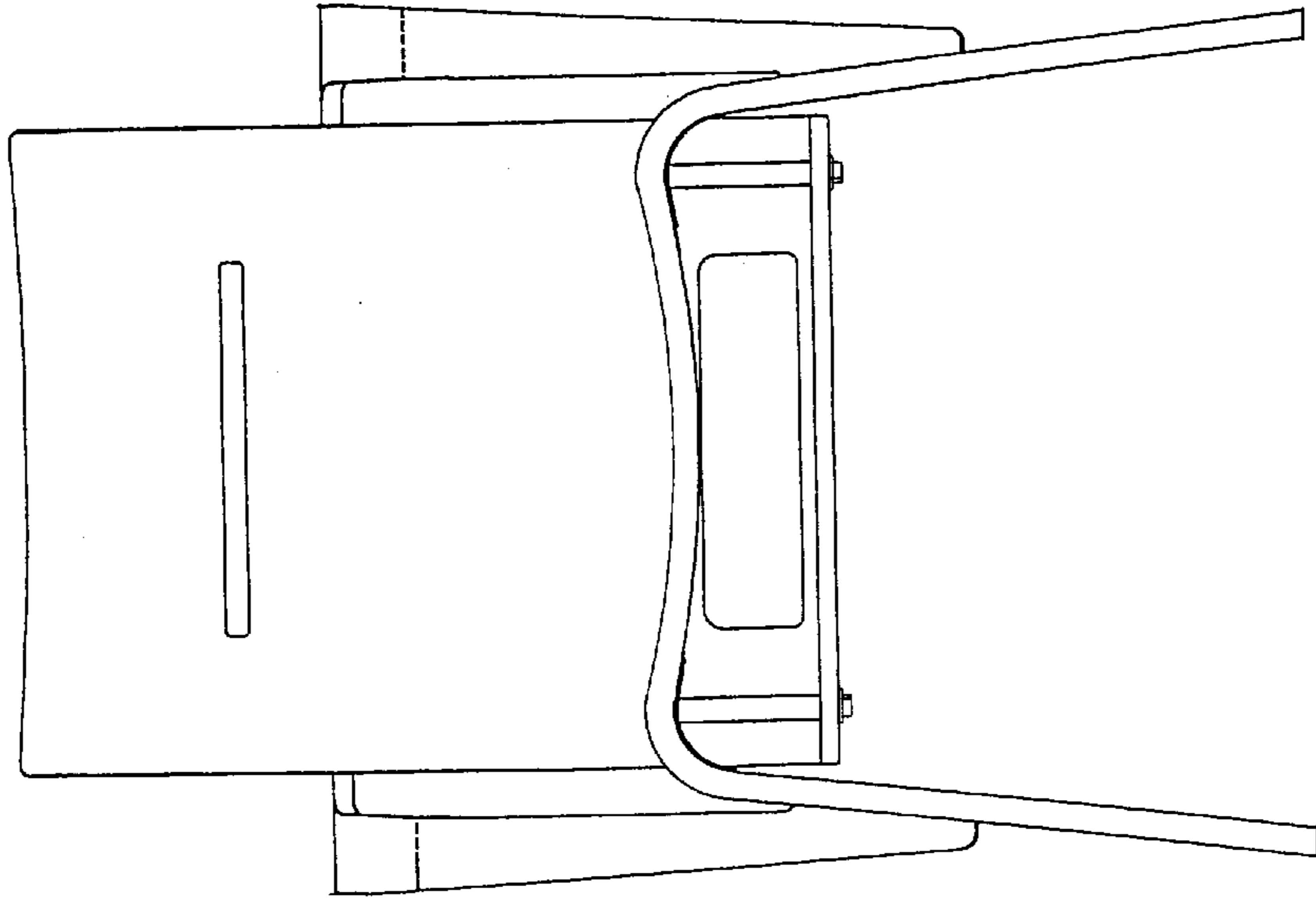


FIGURE 8

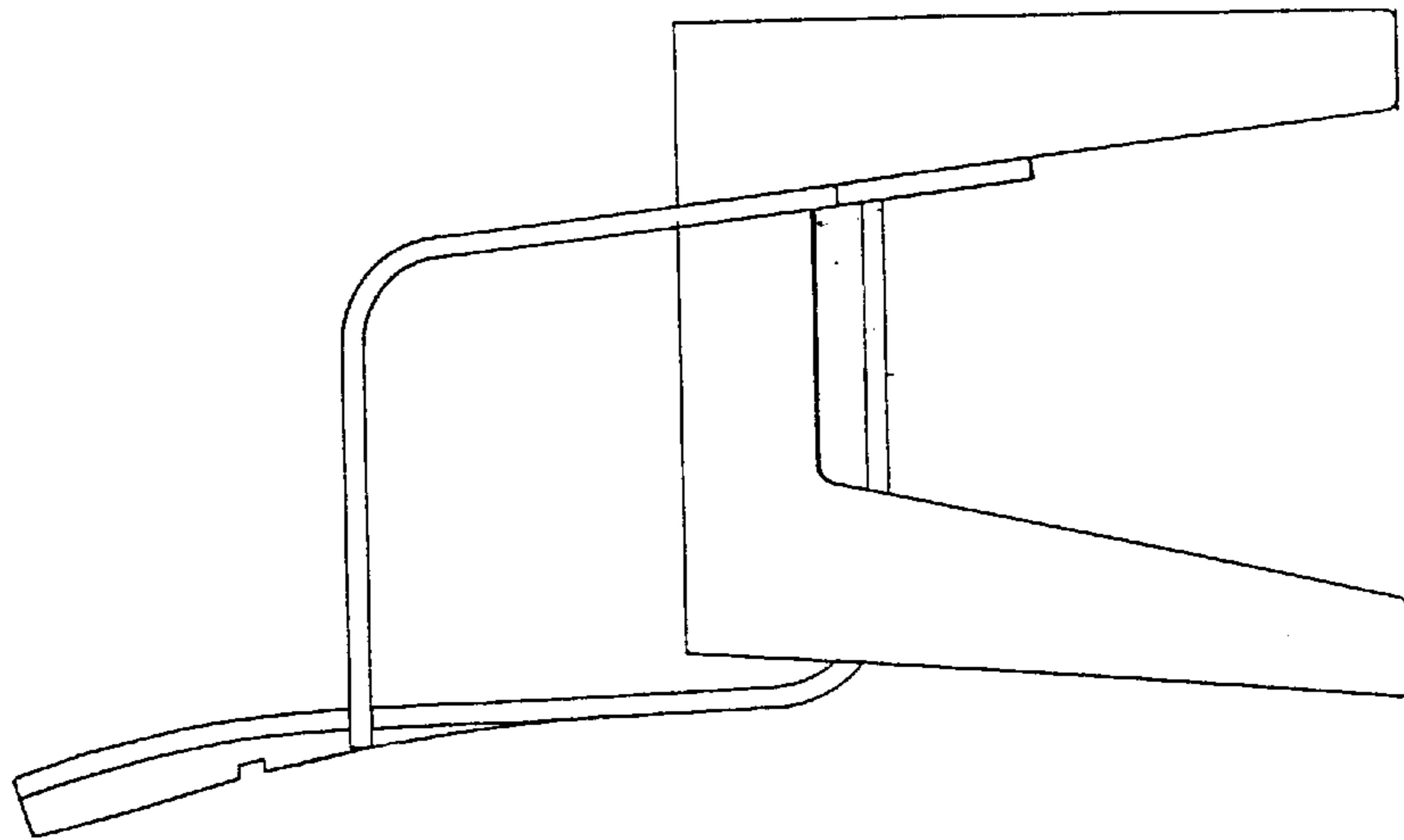


FIGURE 7

UNITED STATES PATENT AND TRADEMARK OFFICE
CERTIFICATE OF CORRECTION

PATENT NO. : Des. 529,726 S
APPLICATION NO. : 29/220511
DATED : October 10, 2006
INVENTOR(S) : James L. Cutler et al.

Page 1 of 7

It is certified that error appears in the above-identified patent and that said Letters Patent is hereby corrected as shown below:

The title page showing the illustrative figure should be deleted to be replaced with the attached title page.

In the Drawings, remove Figs. 1, 2, 3, 4, and 6 from the issued patent and substitute the attached replacement Figs. 1, 2, 3, 4, and 6.

Signed and Sealed this

Twentieth Day of February, 2007

A handwritten signature in black ink on a light gray dotted background. The signature reads "Jon W. Dudas" in a cursive style.

JON W. DUDAS

Director of the United States Patent and Trademark Office

(12) **United States Design Patent** (10) Patent No.: **US D529,726 S**
 Cutler et al. (45) Date of Patent: **** Oct. 10, 2006**

(54) **CHURCH CHAIR**

(75) Inventors: James L. Cutler, Bainbridge Island, WA (US); Bruce E. Anderson, Bainbridge Island, WA (US)

(73) Assignee: Cutler Anderson Architects, PLLC, Bainbridge Island, WA (US)

(**) Term: 14 Years

(21) Appl. No.: 29/320,511

(22) Filed: Dec. 30, 2004

(51) LOC (8) Cl. 06-01

(52) U.S. Cl. D6/334

(58) Field of Classification Search D6/332, D6/334-337, 340, 349, 355, 352-353, 369-370, D6/381, 495, 499-502; 5/12.1; 108/118, 108/119, 137; 297/16.1-16.2, 451.9, 452.11, 297/452.63, 217.1, 31, 175, 423.1, 423.16, 297/461, 232

See application file for complete search history.

(56) **References Cited**

U.S. PATENT DOCUMENTS

- 2,439,322 A * 4/1948 Thaden 297/451.1
- 2,698,049 A * 12/1954 Lamb 297/160
- D219,016 S * 10/1970 Muller D6/375
- D341,954 S * 12/1993 Thompson D6/374
- D365,454 S * 12/1995 Thomson D6/396
- D473,407 S * 4/2003 Ross D6/500

* cited by examiner

Primary Examiner—Sandra S. Snapp

(74) Attorney, Agent, or Firm—Paul, Hastings, Janofsky & Walker LLP

(57) **CLAIM**

The ornamental design for a church chair, as shown and described.

DESCRIPTION

FIG. 1 is a front perspective view of a church chair constructed in accordance with, and embodying, the principles of the present invention;

FIG. 2 is a rear perspective view of the church chair depicted in FIG. 1;

FIG. 3 is a front elevational view of the church chair depicted in FIG. 1;

FIG. 4 is a back elevational view of the church chair depicted in FIG. 1;

FIG. 5 is a side elevational view of the church chair depicted in FIG. 1, the opposite side elevational view being a mirror image;

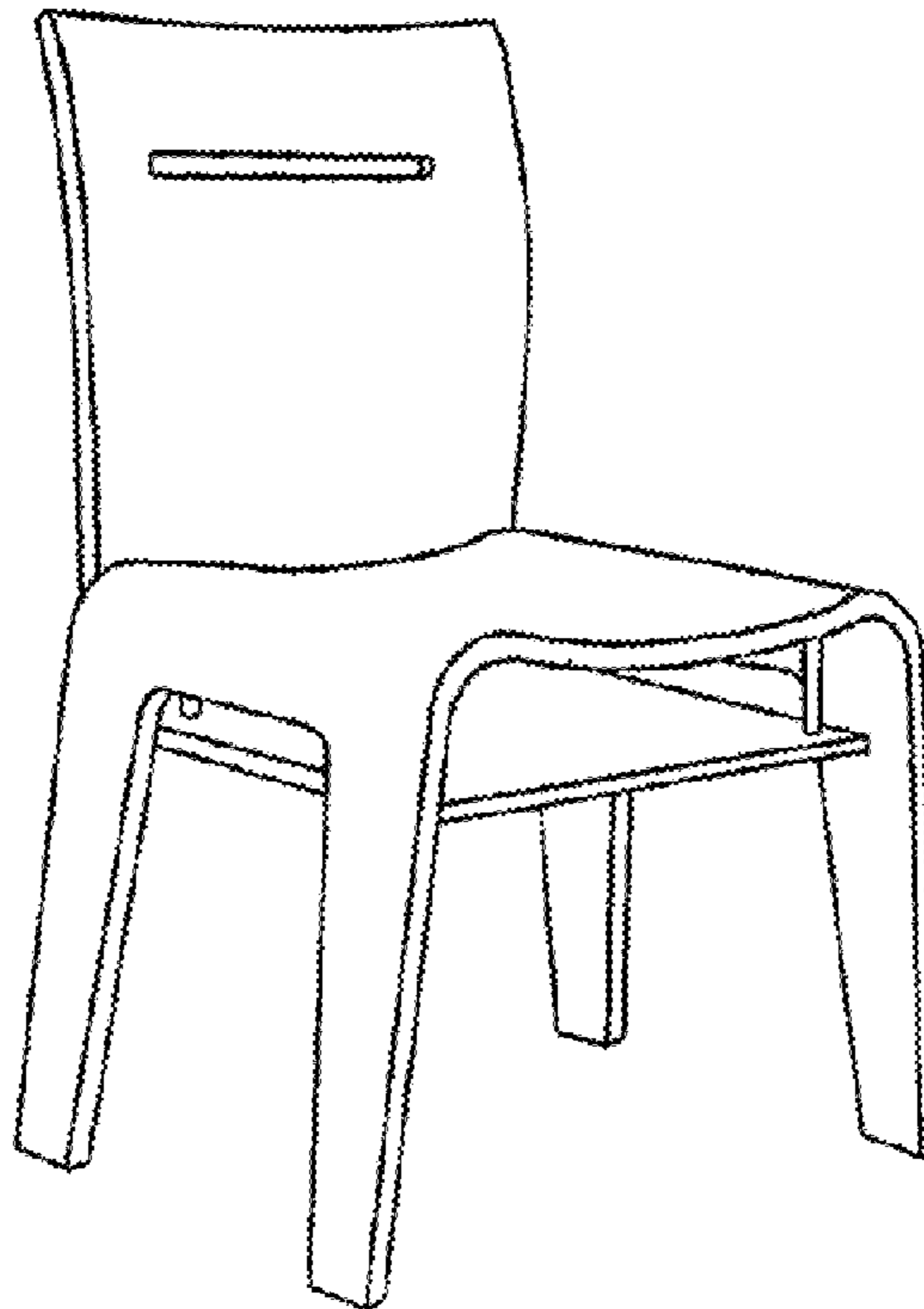
FIG. 6 is a top plan view of the church chair depicted in FIG. 1;

FIG. 7 is a side elevational view of an alternative embodiment of the church chair depicted in FIG. 1, this embodiment shown with arms; and,

FIG. 8 is a front elevational view of the alternative embodiment of the church chair depicted in FIG. 7, this embodiment shown with arms and the opposite side being a mirror image thereof.

The surface(s) or portion(s) of the article not shown in the drawing or described in the specification form(s) no part of the claimed design.

1 Claim, 7 Drawing Sheets



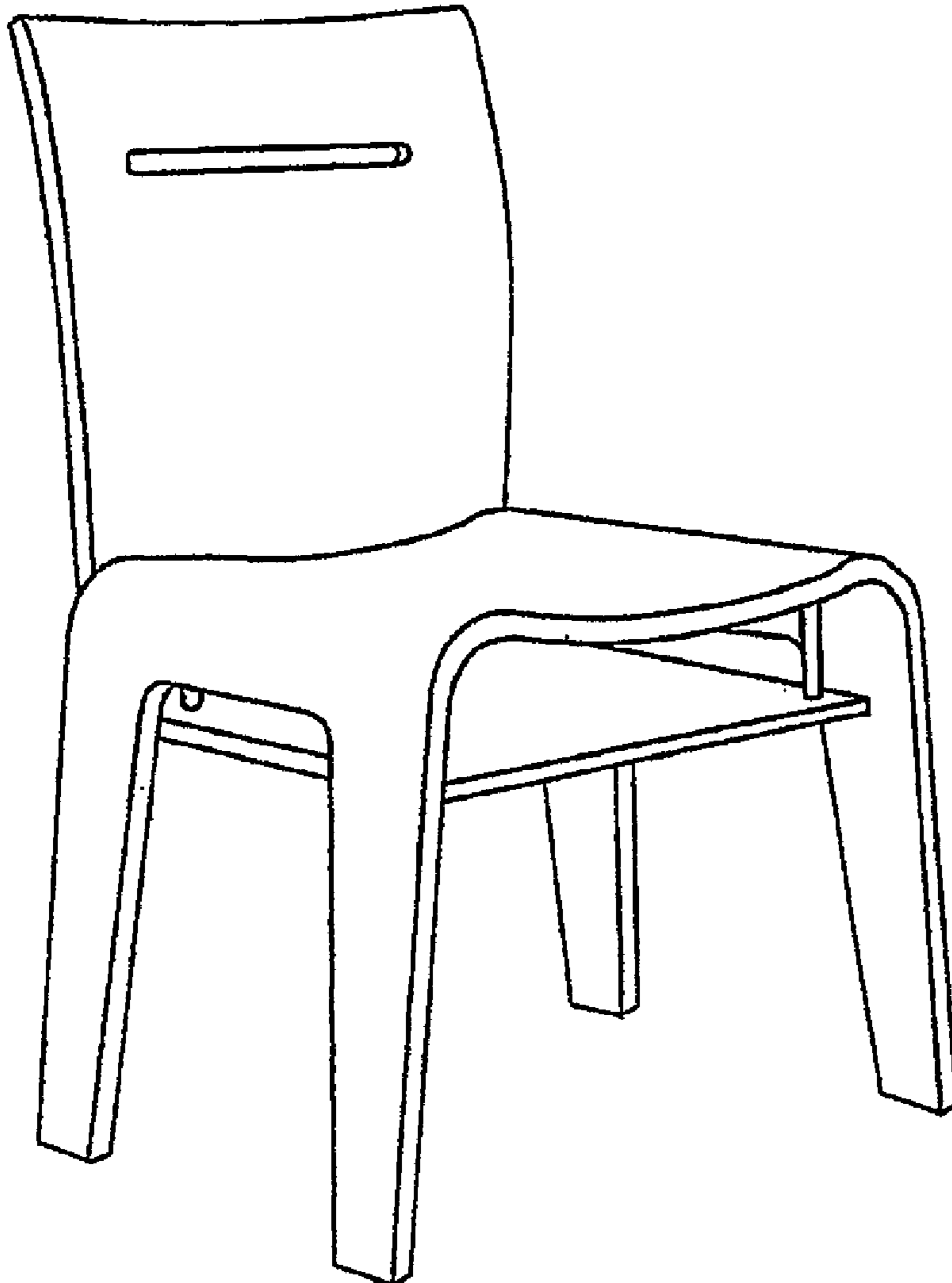


FIGURE 1

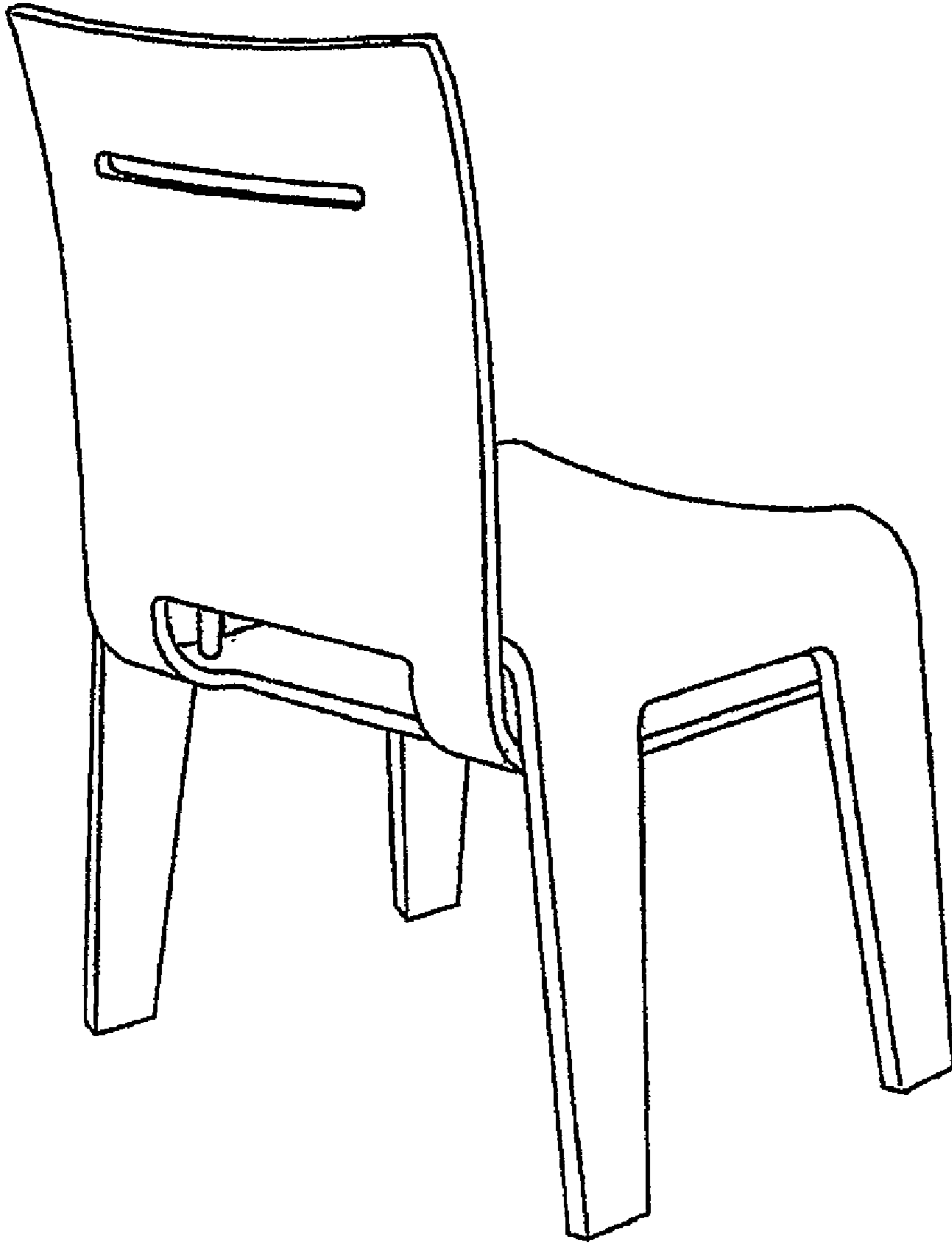


FIGURE 2

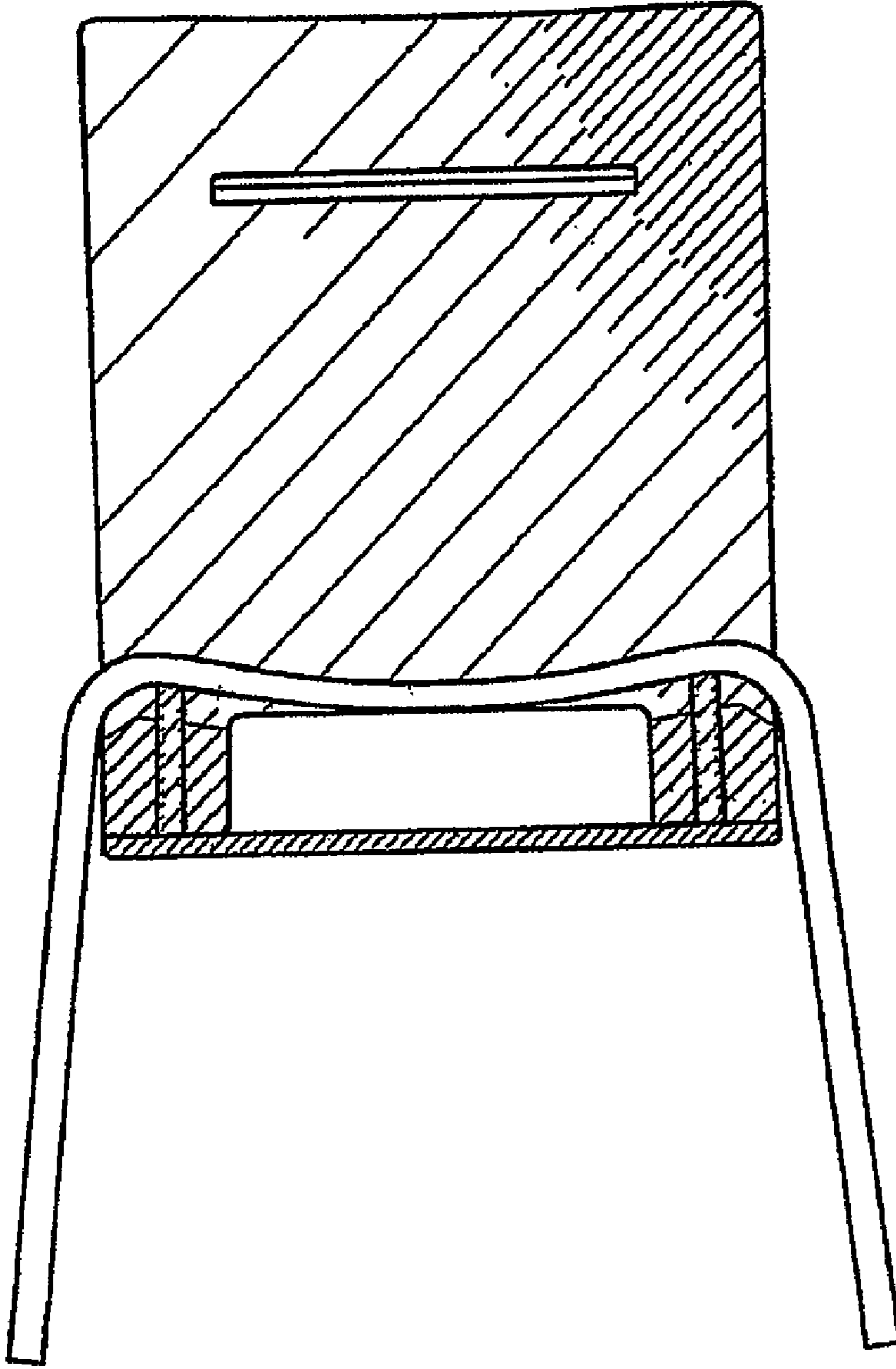


FIGURE 3

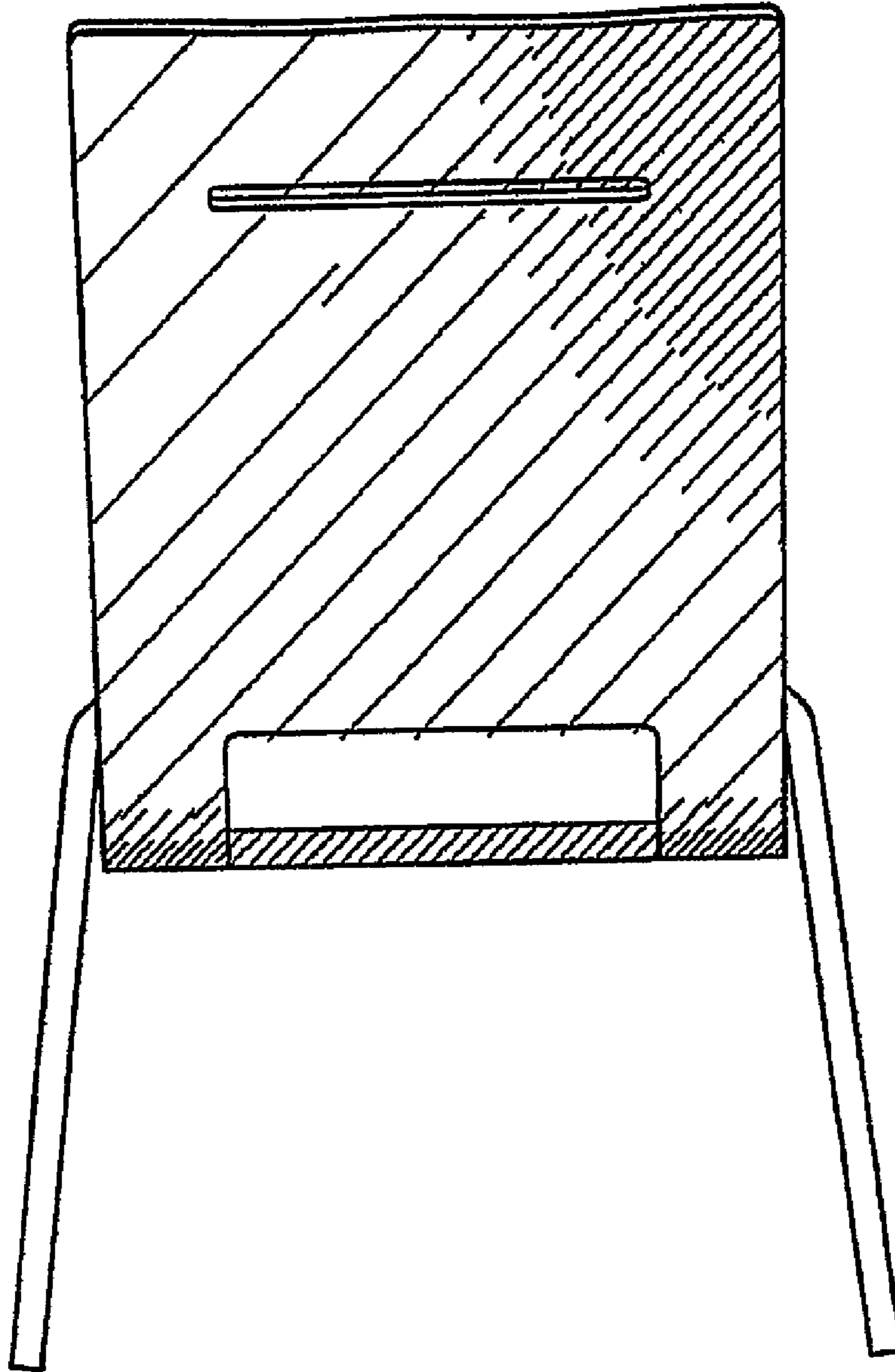


FIGURE 4

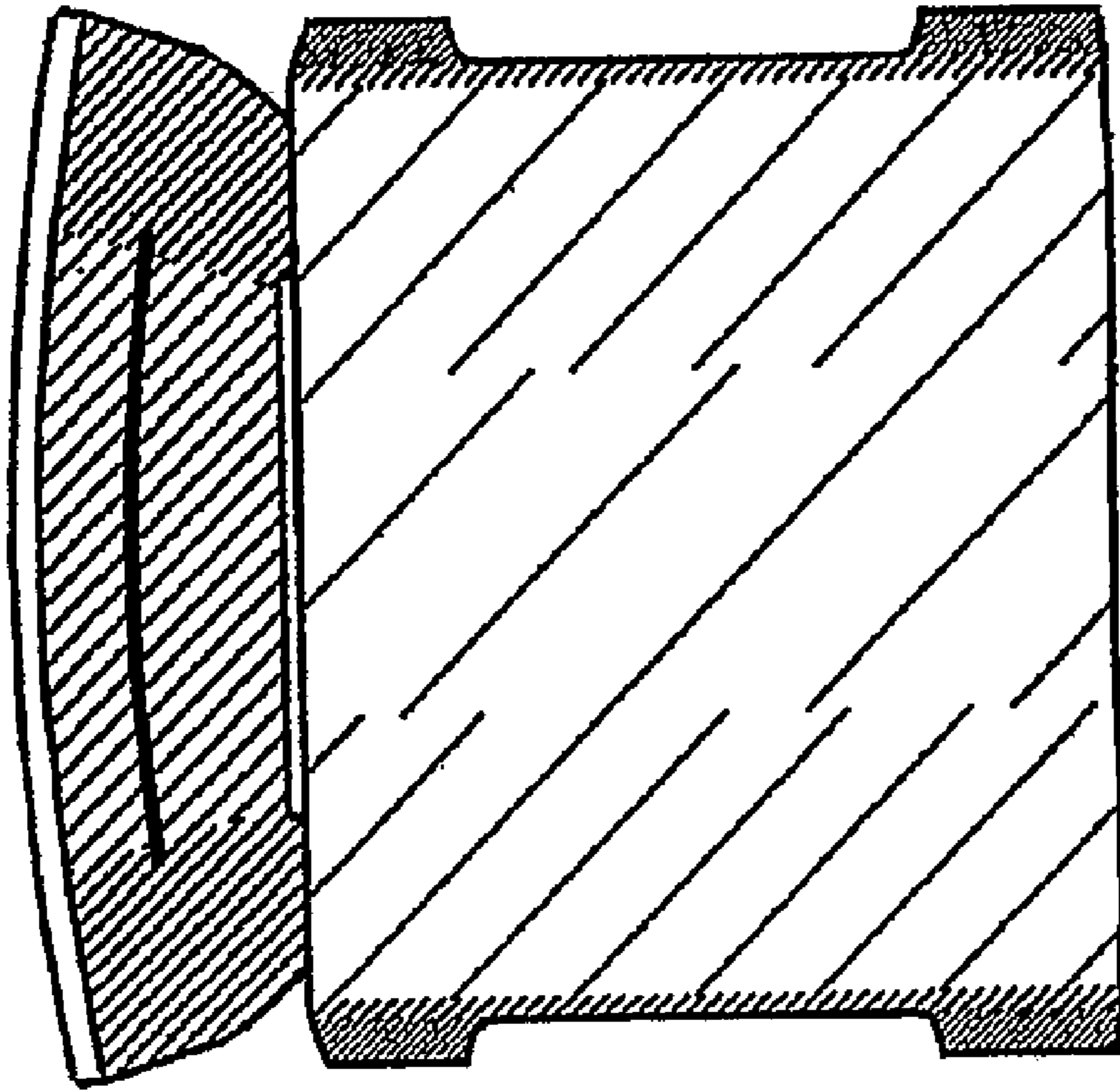


FIGURE 6