

US00D529718S

(12) **United States Design Patent**  
**Rasmussen**

(10) **Patent No.:** **US D529,718 S**  
(45) **Date of Patent:** **\*\* Oct. 10, 2006**

(54) **FOLDING POUCH**

(75) **Inventor:** **Torben Vissing Rasmussen, Korsør (DK)**

(73) **Assignee:** **Danapak A/S, Korsør (DK)**

(\*\*) **Term:** **14 Years**

(21) **Appl. No.:** **29/233,971**

(22) **Filed:** **Jul. 12, 2005**

(51) **LOC (8) Cl.** ..... **03-01**

(52) **U.S. Cl.** ..... **D3/299**

(58) **Field of Classification Search** ..... D3/230,  
D3/273, 299, 900, 904-905; D9/432-433;  
D19/3; 206/45.21, 45.25, 45.29, 260, 264,  
206/273-274, 320; 156/216, 224; 229/80,  
229/87.5; 383/84, 122; 493/189, 213, 933  
See application file for complete search history.

(56) **References Cited**

**U.S. PATENT DOCUMENTS**

1,321,274 A	*	11/1919	Barracks	.....	150/100
1,429,608 A	*	9/1922	May	.....	206/292
2,325,673 A		8/1943	Gurwick		
2,558,780 A		7/1951	Piazzè		
2,565,026 A		8/1951	Hutt		
3,253,770 A	*	5/1966	Black	.....	206/424

3,273,781 A	*	9/1966	Mills	.....	229/87.01
3,387,640 A	*	6/1968	Butler	.....	206/260
3,471,005 A	*	10/1969	Sexstone	.....	206/260
3,485,435 A	*	12/1969	Densen et al.	.....	206/424
3,596,828 A	*	8/1971	Foster et al.	.....	383/94
D285,454 S	*	9/1986	Paulk	.....	D19/3
4,785,933 A	*	11/1988	Focke	.....	206/260
D489,255 S	*	5/2004	Kratzert et al.	.....	D9/433
D495,254 S	*	8/2004	Carlos	.....	D9/433
D513,982 S	*	1/2006	Wenrick	.....	D9/433

\* cited by examiner

*Primary Examiner*—Philip S. Hyder

*Assistant Examiner*—RoseLynne (Ulm) Cody

(74) *Attorney, Agent, or Firm*—William J. Sapone;  
Coleman Sudol Sapone P.C.

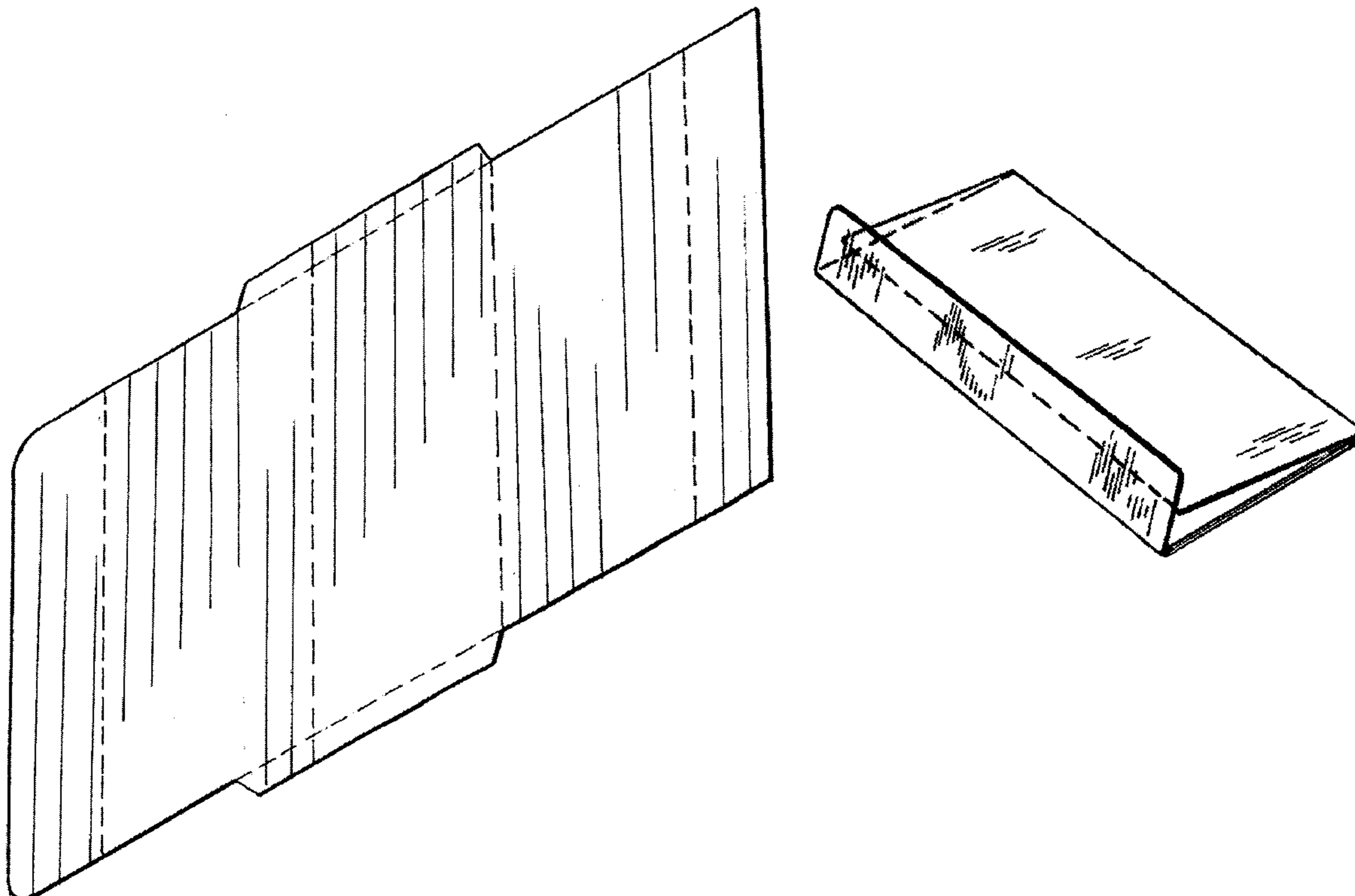
(57) **CLAIM**

The ornamental design for a folding pouch, as shown and described.

**DESCRIPTION**

FIG. 1 is a view of the pouch prior to folding;  
FIG. 2 is a top perspective view of the folding pouch showing my new design; and,  
FIG. 3 is a bottom perspective view thereof.  
The broken lines shown in FIG. 1 indicate fold lines and are part of the claimed design.

**1 Claim, 3 Drawing Sheets**



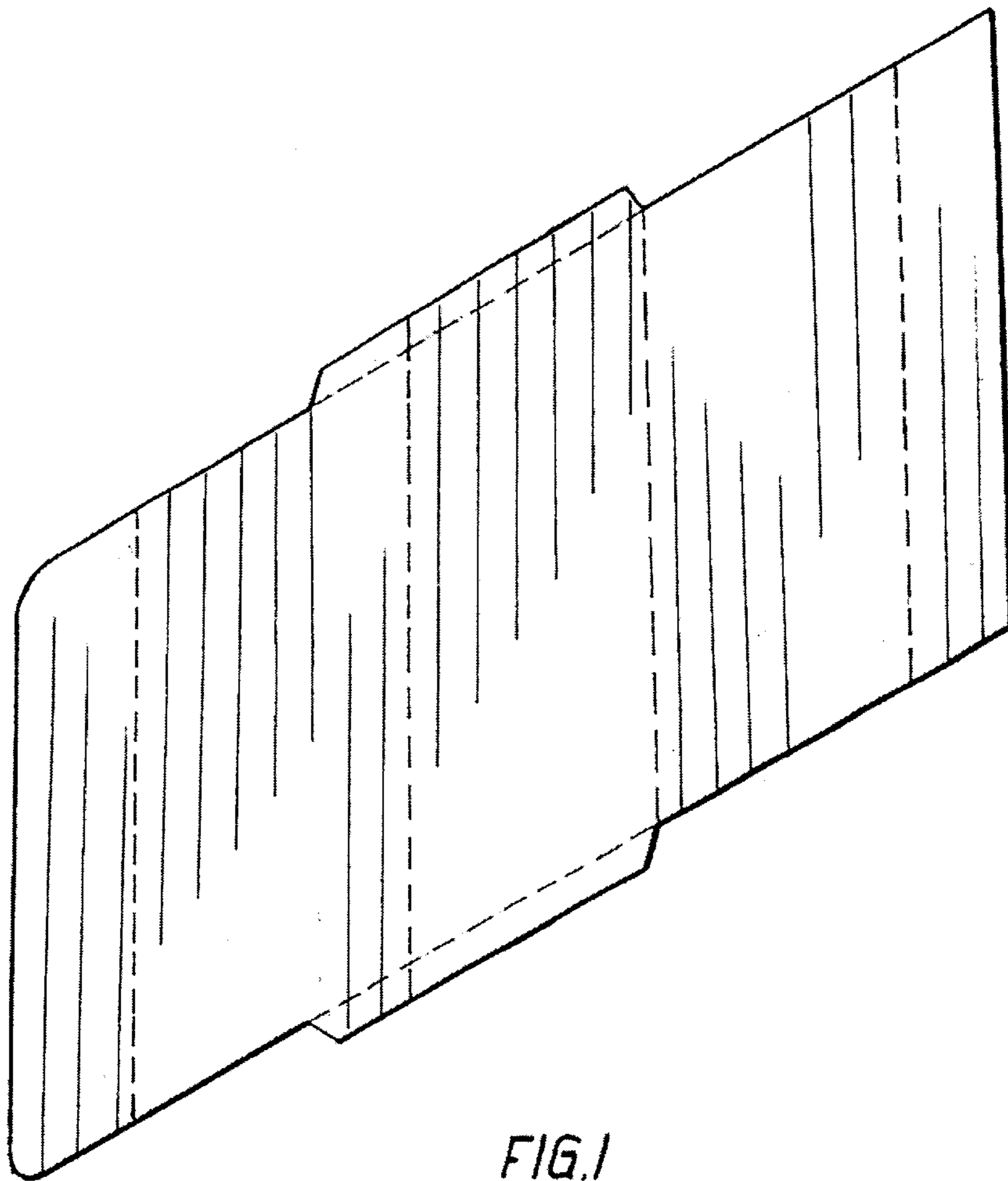
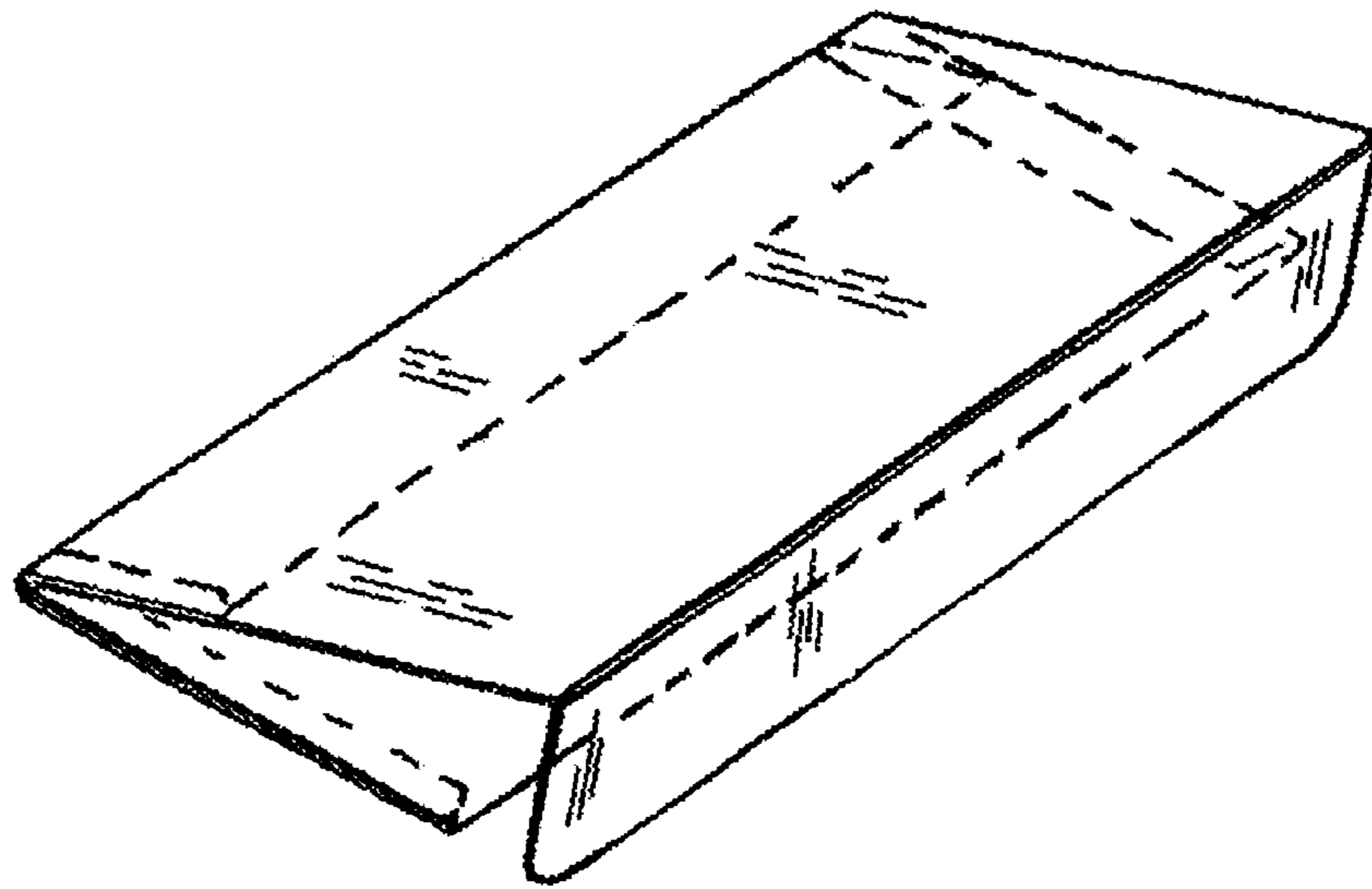


FIG. 1



*FIG. 2*

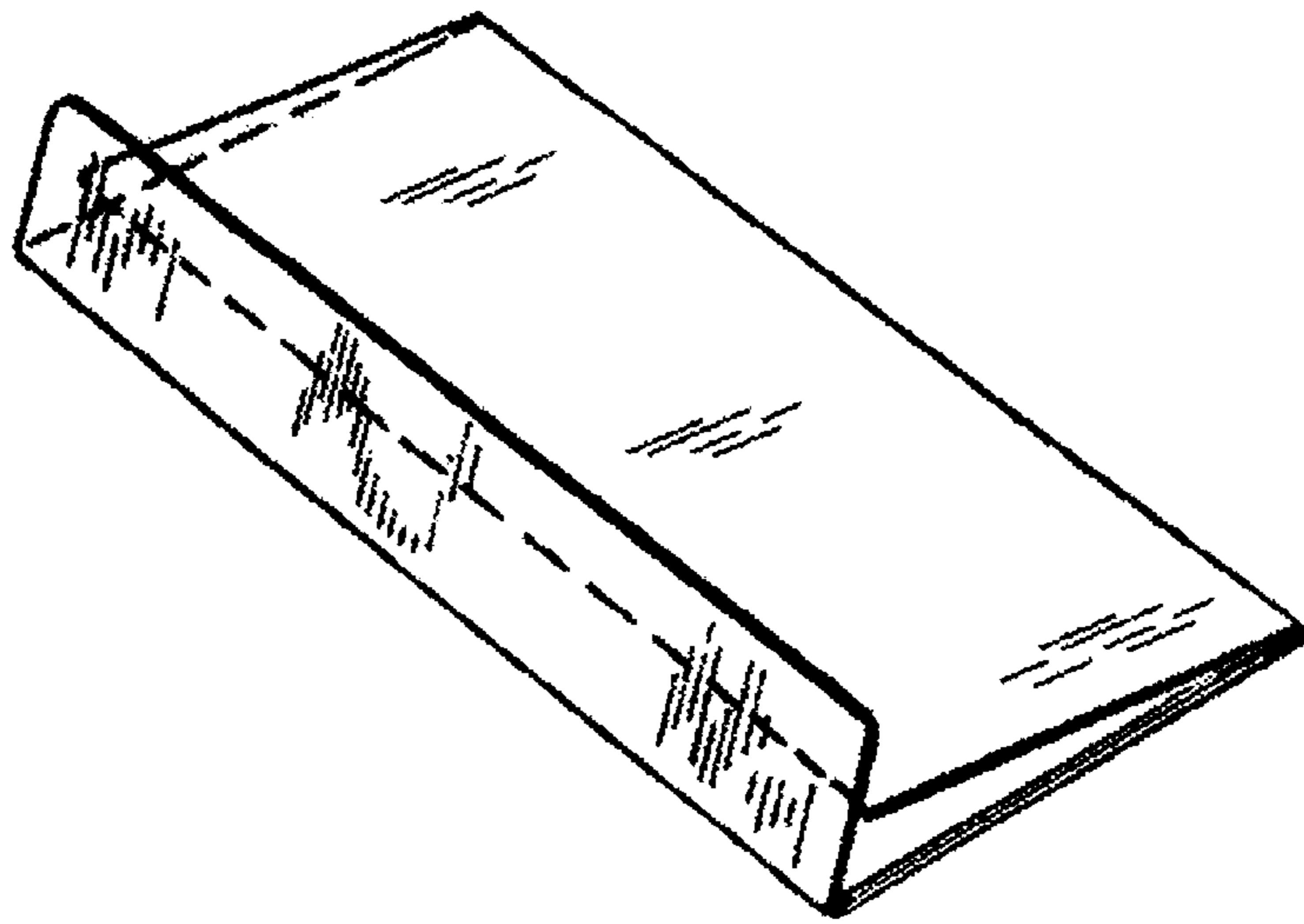


FIG. 3