



US00D529717S

(12) **United States Design Patent**
Brancky

(10) **Patent No.:** **US D529,717 S**

(45) **Date of Patent:** **** Oct. 10, 2006**

(54) **MOLDED CASE**

(75) Inventor: **Tom Brancky**, Newport Beach, CA (US)

(73) Assignee: **Blue Sky the Color of Imagination, L.L.C.**, Tustin, CA (US)

(**) Term: **14 Years**

(21) Appl. No.: **29/208,934**

(22) Filed: **Jul. 7, 2004**

(51) **LOC (8) Cl.** **03-01**

(52) **U.S. Cl.** **D3/285; D3/276; D3/900**

(58) **Field of Classification Search** D3/268,
D3/270, 271.1, 273, 276, 281–285, 287, 289,
D3/290, 321, 900, 902; 190/100, 109, 115,
190/900, 903

See application file for complete search history.

(56) **References Cited**

U.S. PATENT DOCUMENTS

21,381	A	*	8/1858	Timby	63/6
D314,470	S	*	2/1991	Hutchins	D3/283
5,178,246	A	*	1/1993	Kramer	190/109
D346,694	S	*	5/1994	Cyr et al.	D3/287
D399,056	S	*	10/1998	Tawil	D3/283
5,897,209	A	*	4/1999	Roegner	383/39
D441,533	S	*	5/2001	Tawil	D3/283
D448,164	S	*	9/2001	Kolpin	D3/262
D464,197	S	*	10/2002	Kegels	D3/289
D485,065	S	*	1/2004	Pelleg	D3/209
2002/0153216	A1	*	10/2002	Krulik	190/103
2004/0112697	A1	*	6/2004	Scicluna	190/110

* cited by examiner

Primary Examiner—Philip S. Hyder

Assistant Examiner—Roselyne Ulm

(74) *Attorney, Agent, or Firm*—Drummond & Duckworth

(57) **CLAIM**

The ornamental design for a molded case, as shown and described.

DESCRIPTION

FIG. 1 is a perspective view illustrating the molded case, showing my new design;

FIG. 2 is a top plan view thereof;

FIG. 3 is a front elevation view thereof;

FIG. 4 is a bottom plan view thereof;

FIG. 5 is a right elevation view thereof;

FIG. 6 is a back elevation view thereof;

FIG. 7 is a left elevation view thereof;

FIG. 8 is a perspective view showing the molded case of my new design in a partially open condition;

FIG. 9 is a top plan view thereof;

FIG. 10 is a front elevation view thereof;

FIG. 11 is a bottom plan view thereof;

FIG. 12 is a back elevation view thereof;

FIG. 13 is a right elevation view thereof;

FIG. 14 is a left elevation view thereof;

FIG. 15 is a perspective view illustrating the molded case of my new design in a fully open condition;

FIG. 16 is a top plan view thereof;

FIG. 17 is a bottom plan view thereof;

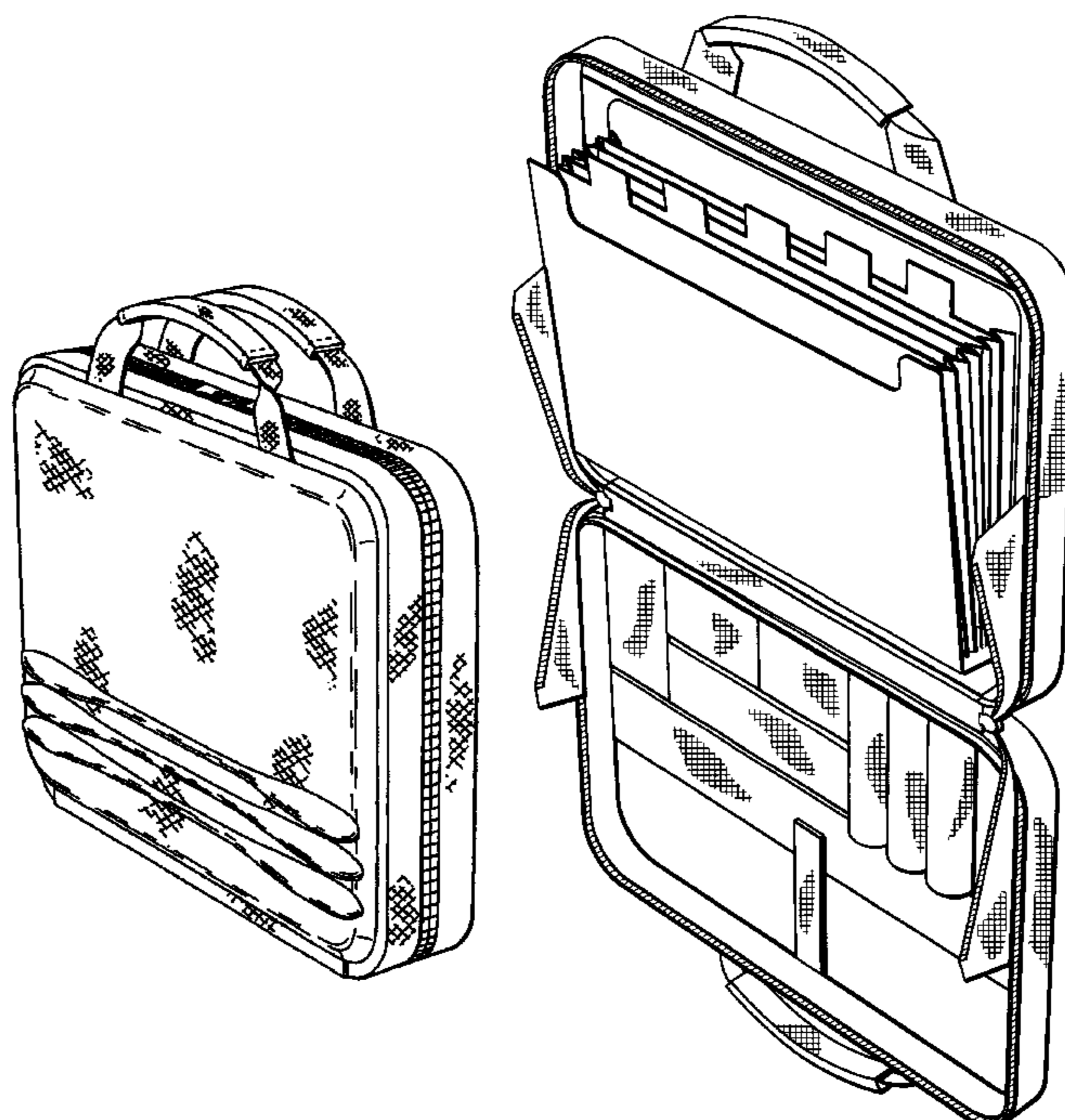
FIG. 18 is a right elevation view thereof;

FIG. 19 is a left elevation view thereof;

FIG. 20 is a back elevation view thereof; and,

FIG. 21 is a front elevation view thereof.

1 Claim, 12 Drawing Sheets



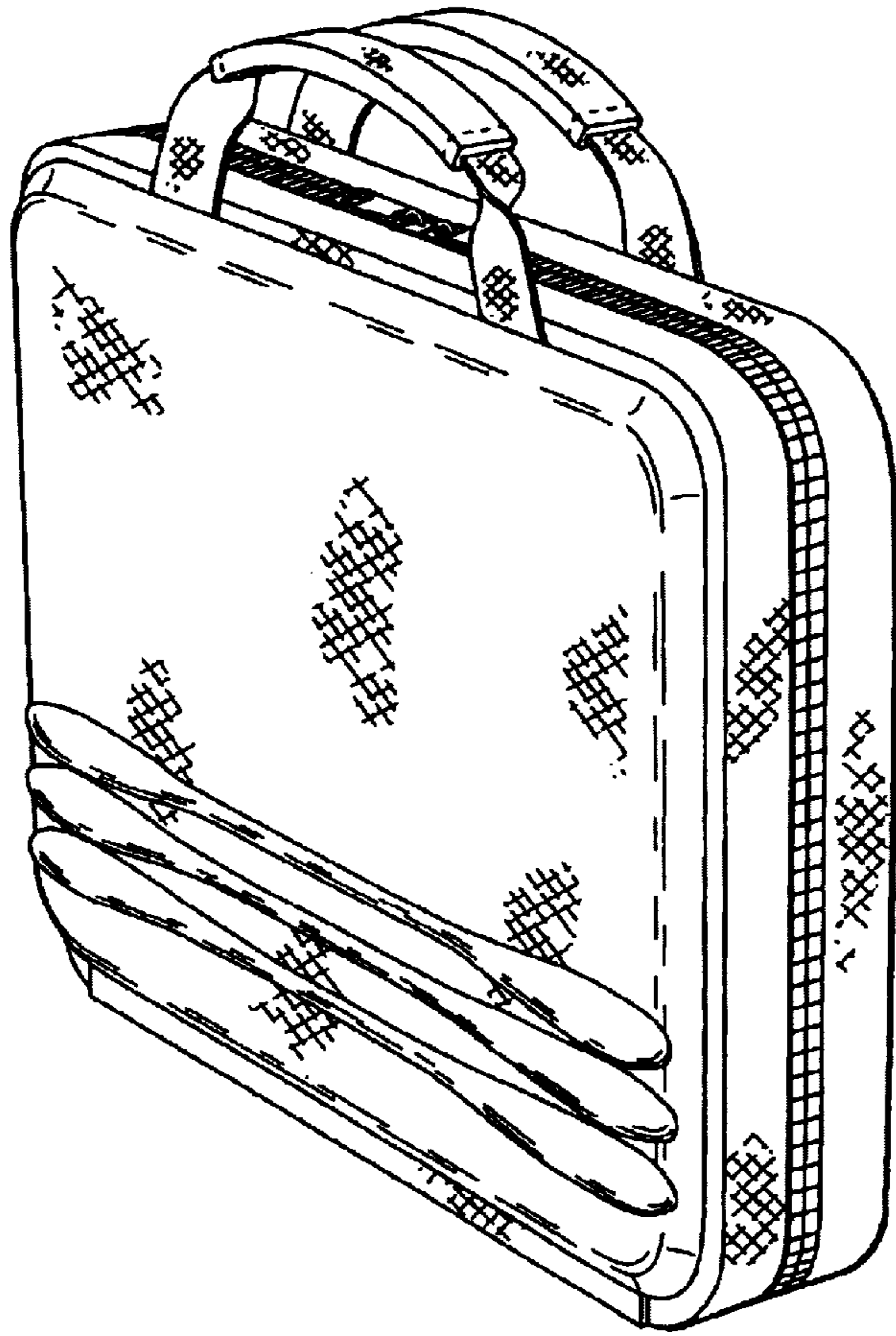


Fig. 1

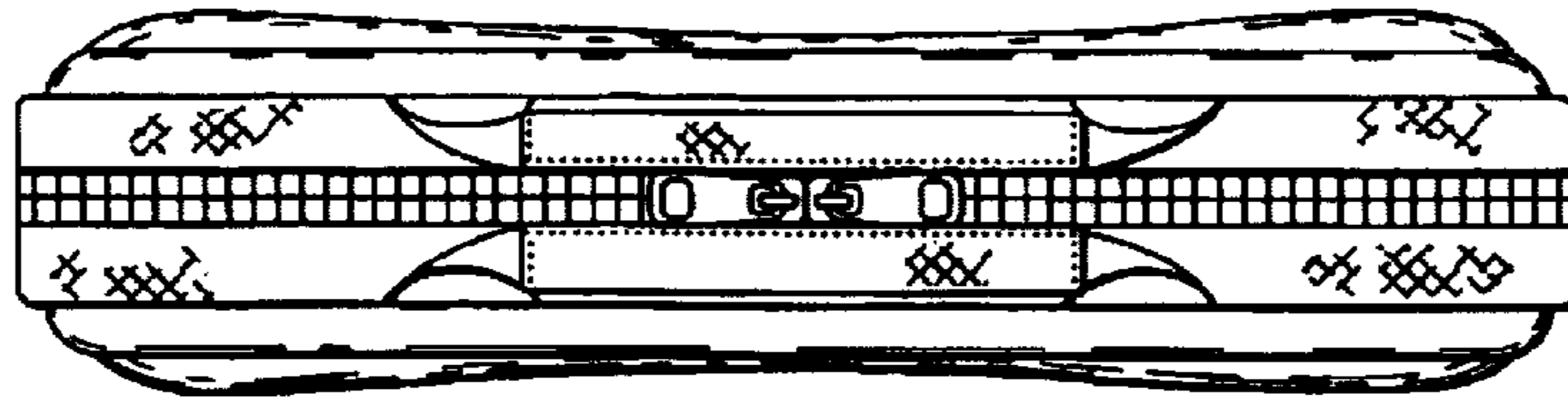


Fig. 2



Fig. 3

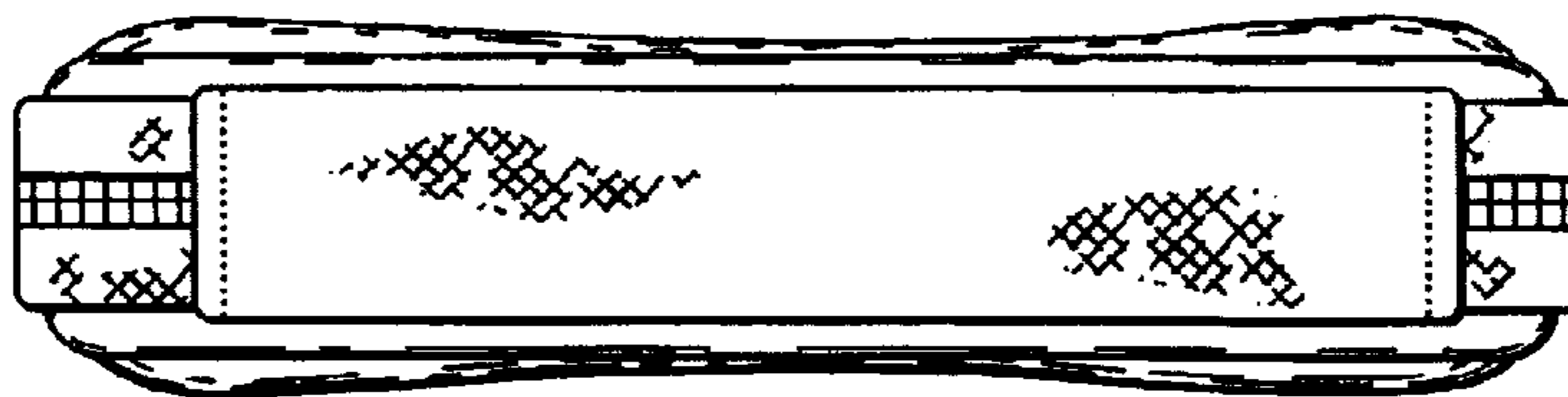


Fig. 4

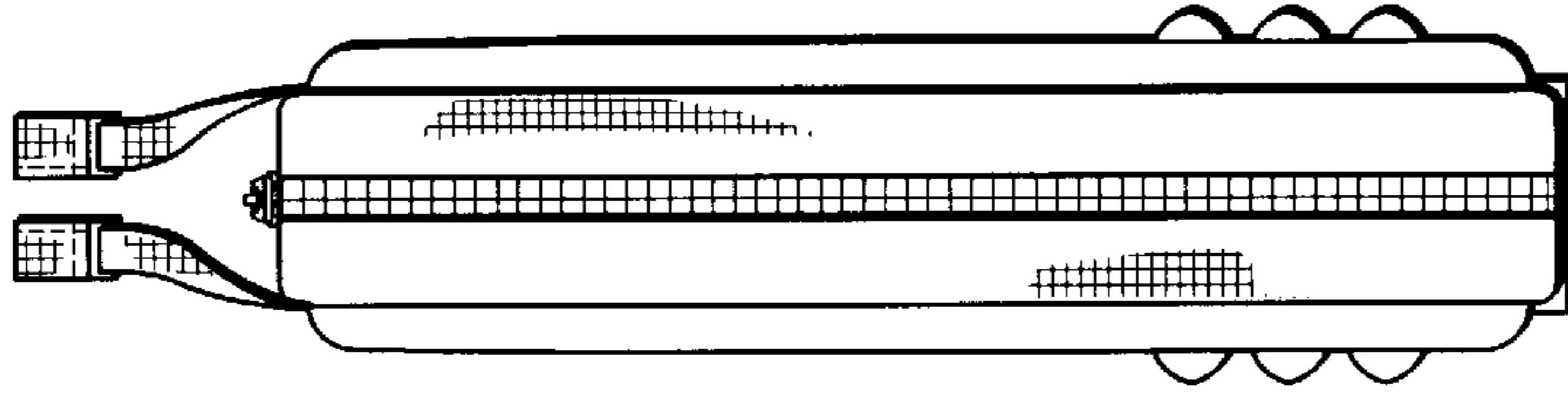


FIG. 5

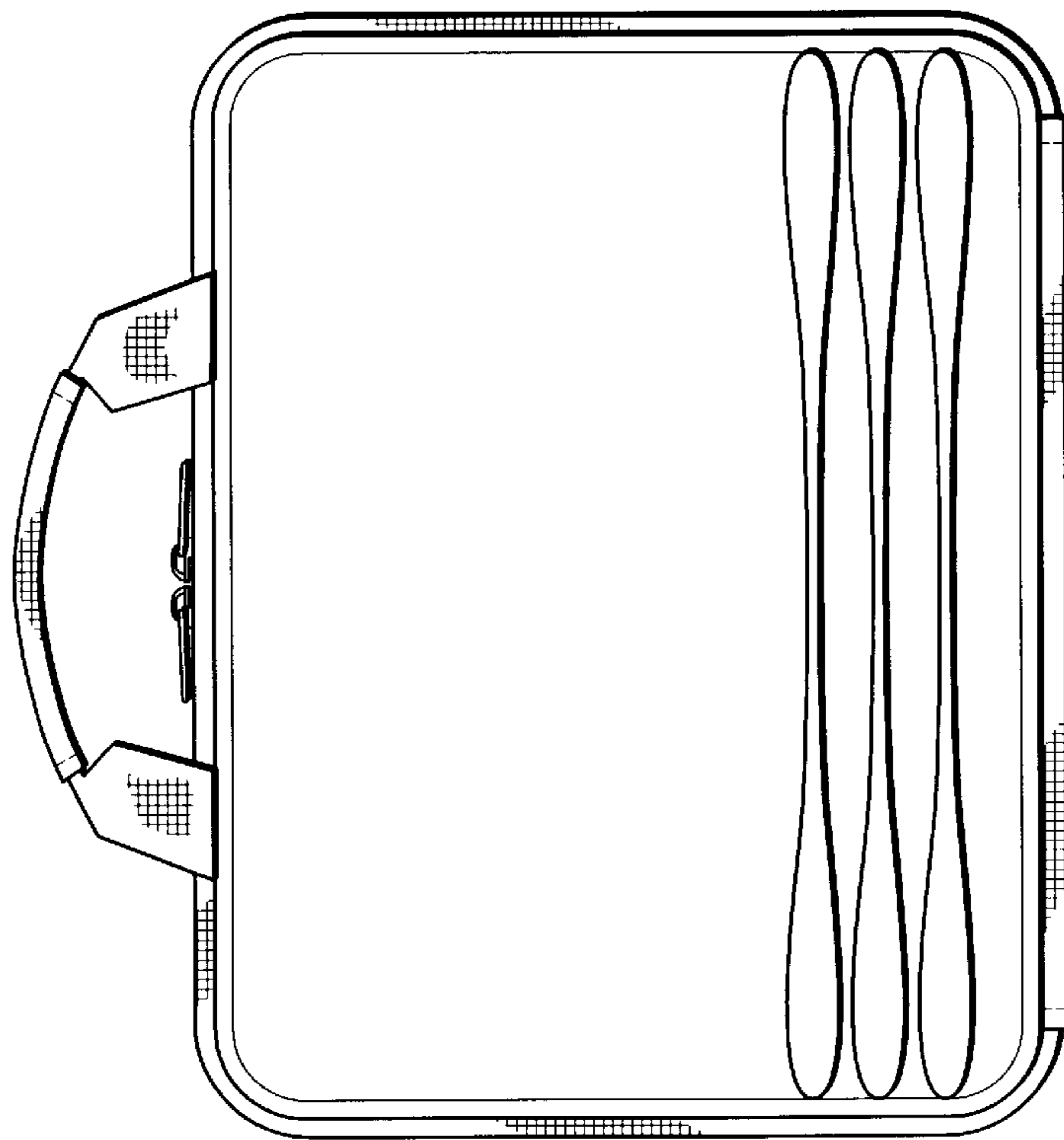


FIG. 6

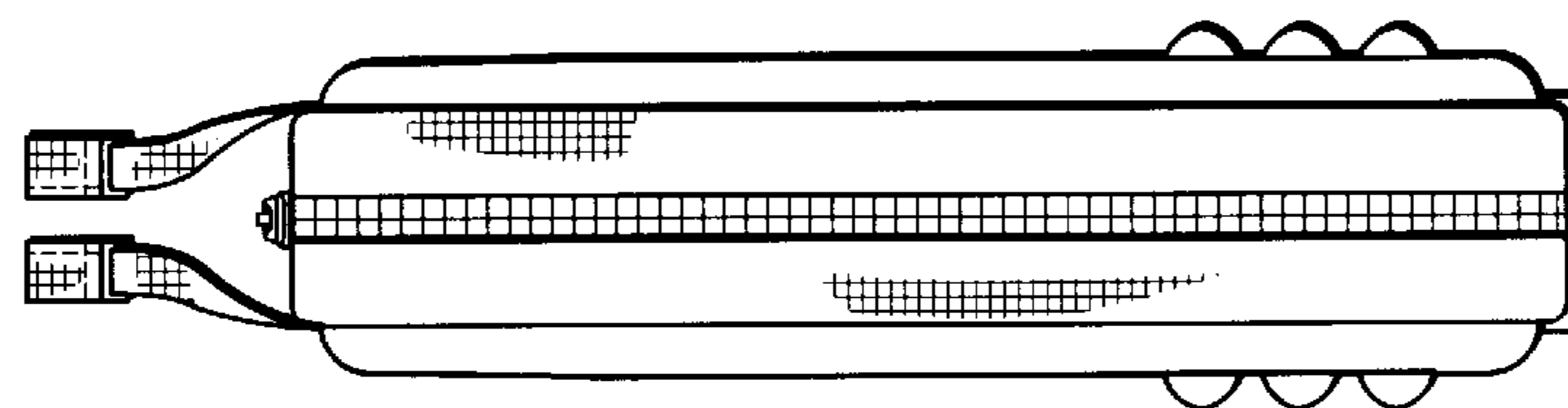


FIG. 7

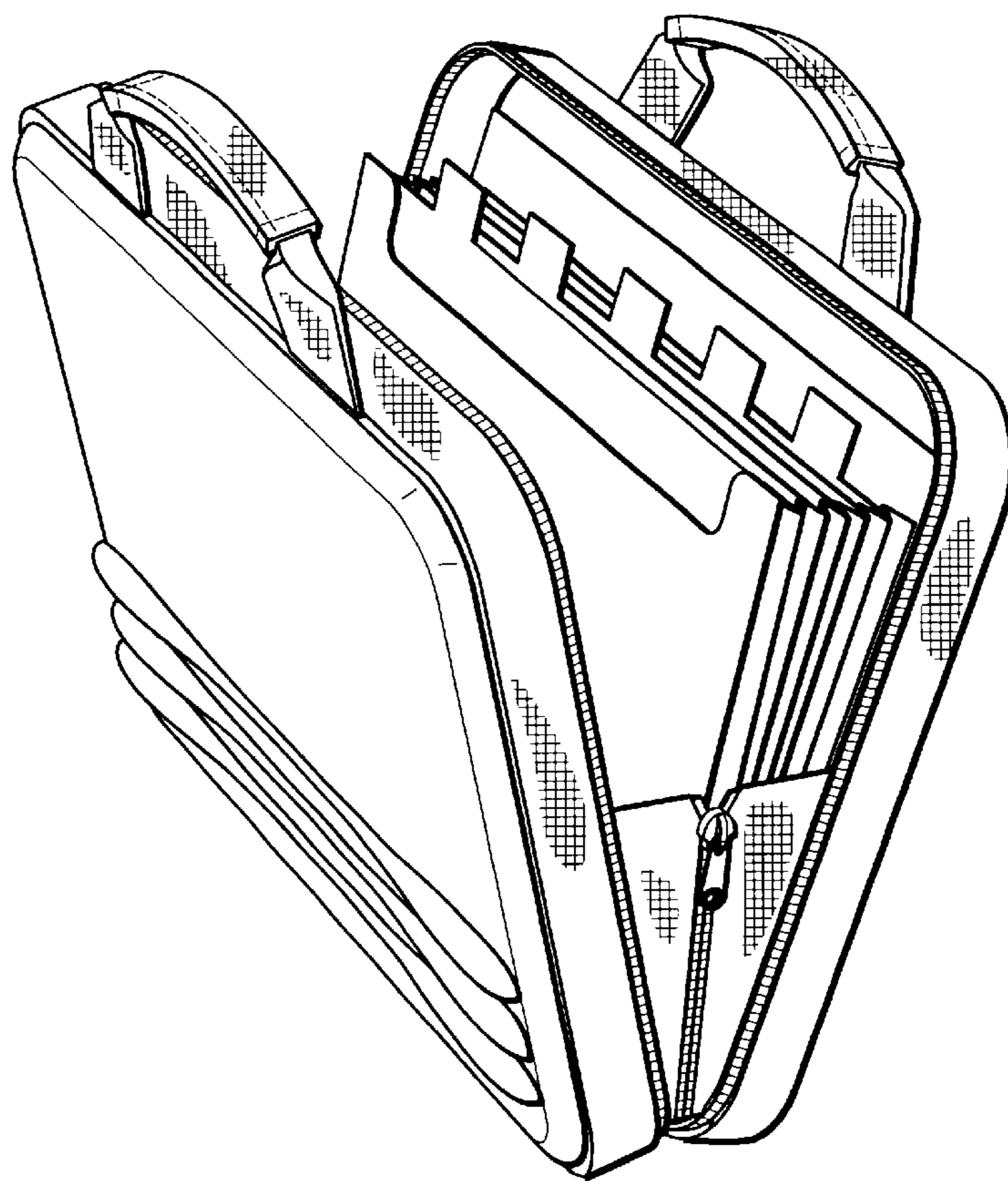


FIG. 8

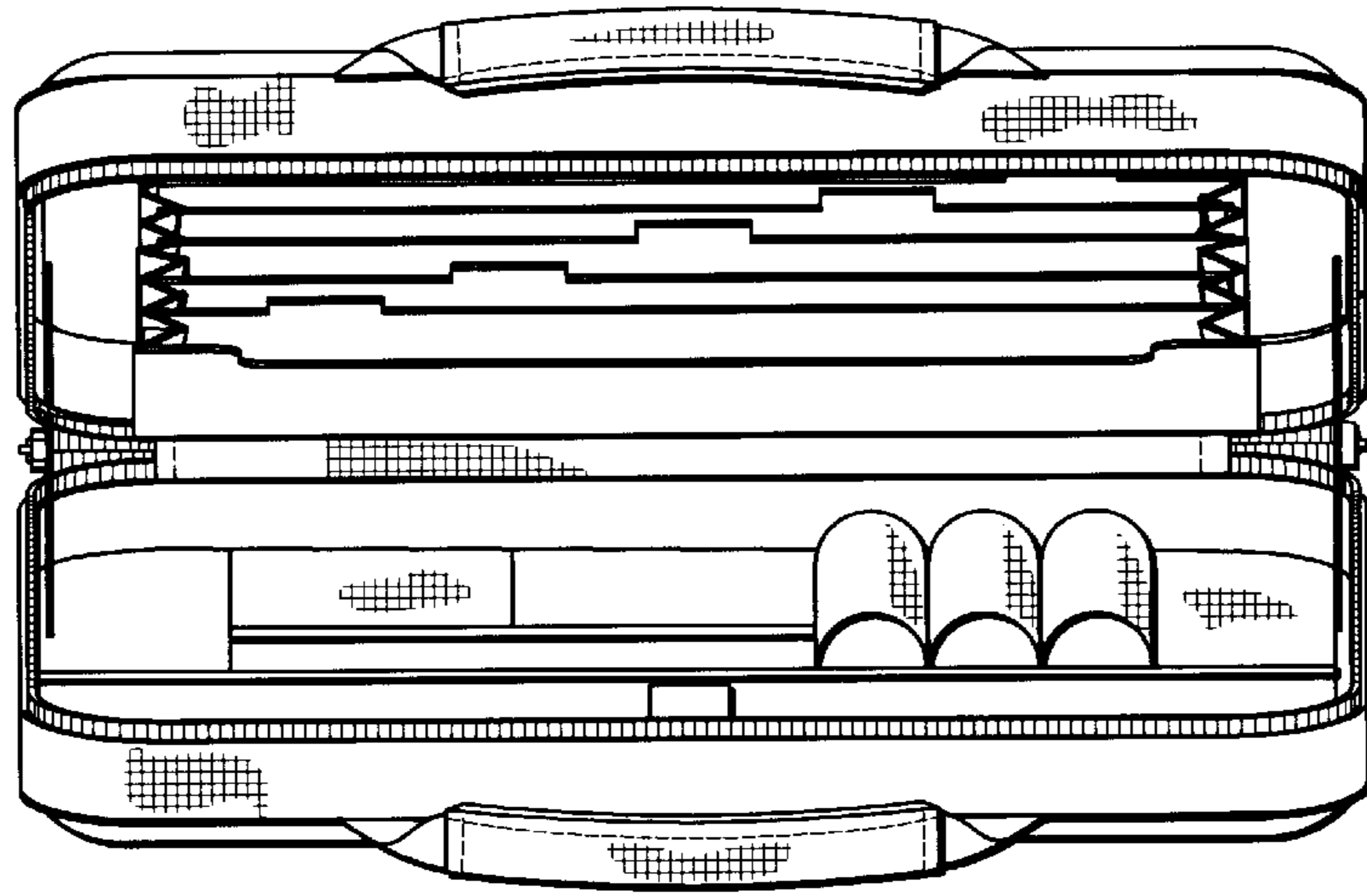


FIG. 9

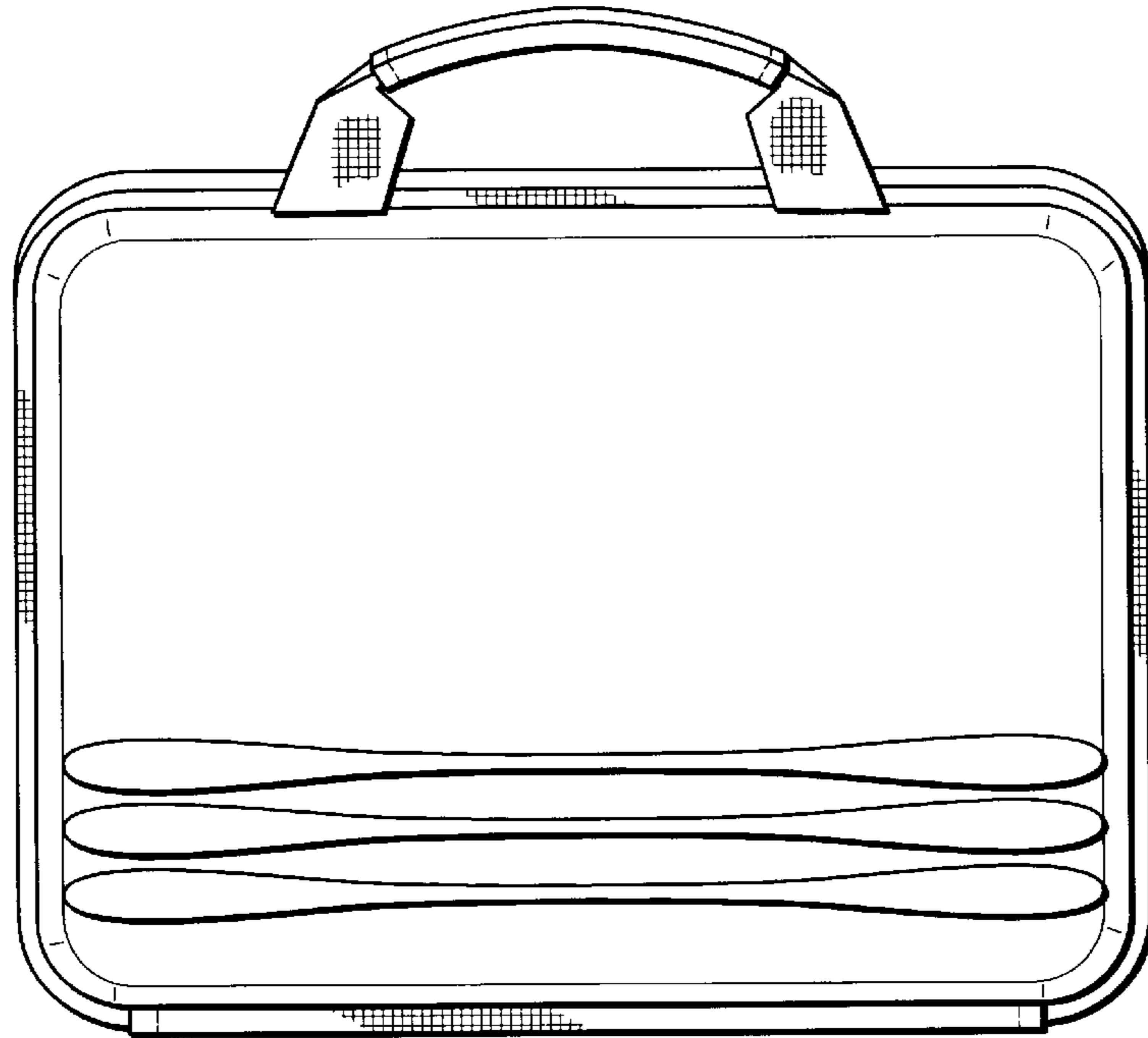


FIG. 10

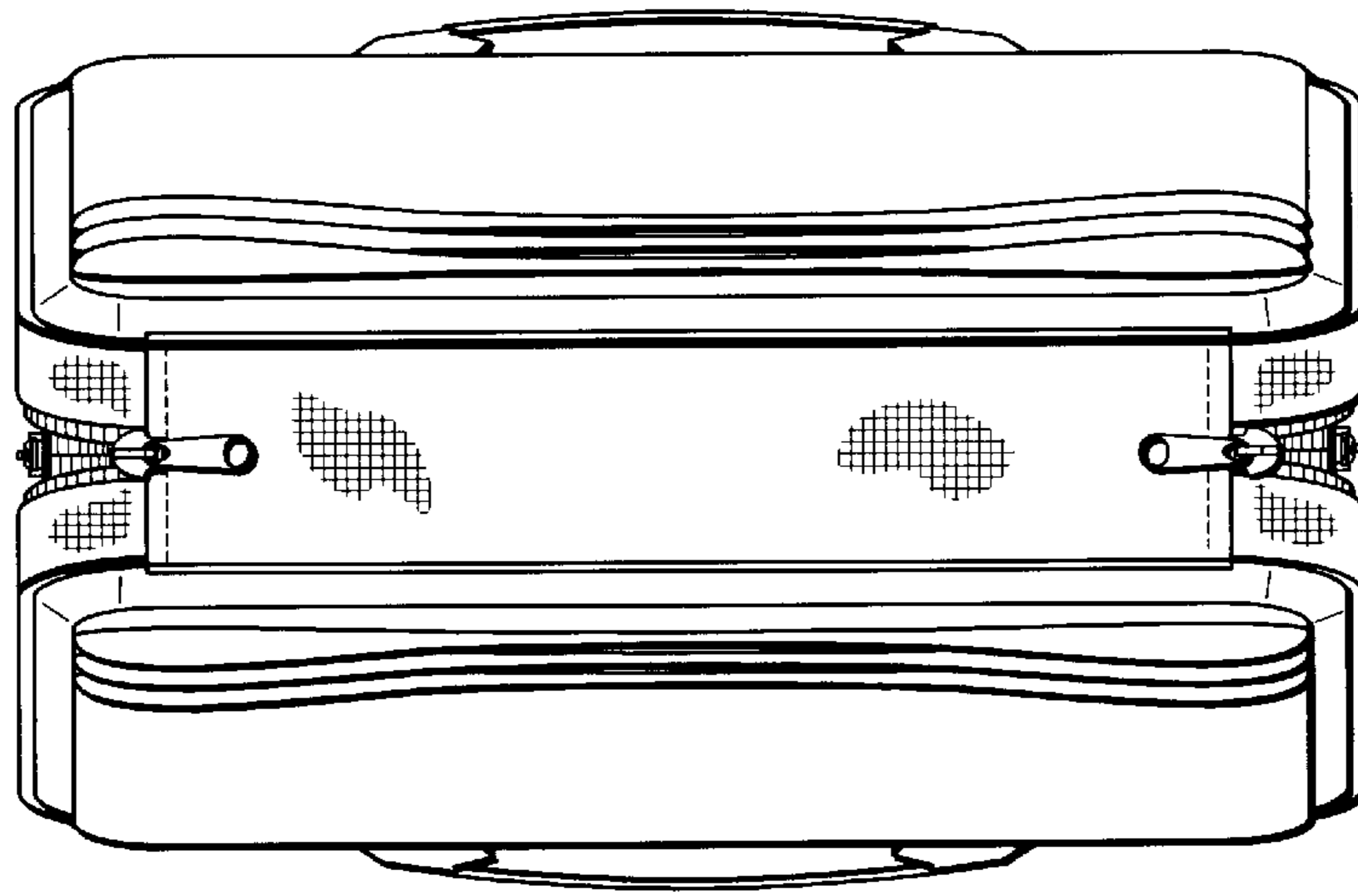


FIG. 11

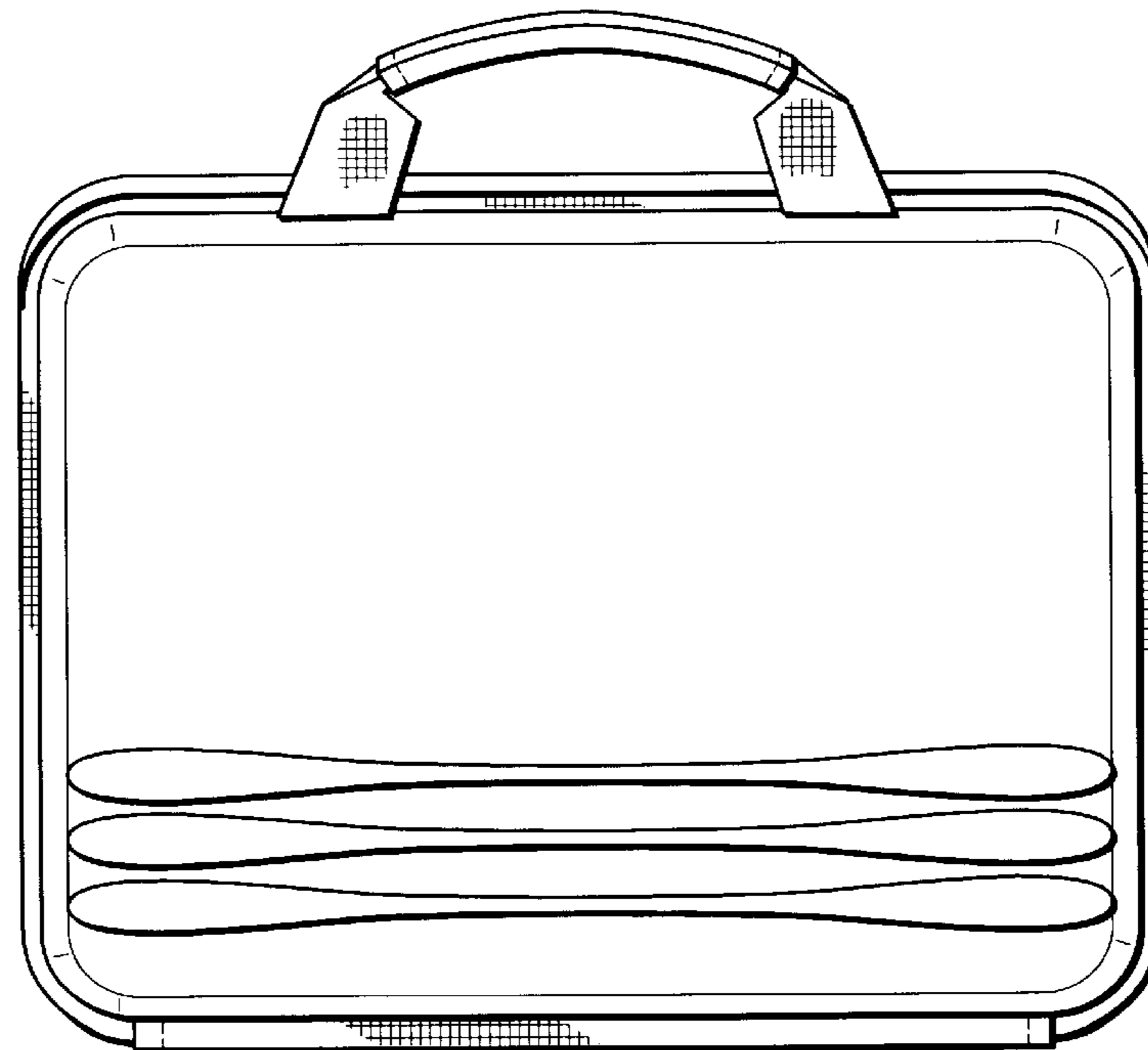


FIG. 12

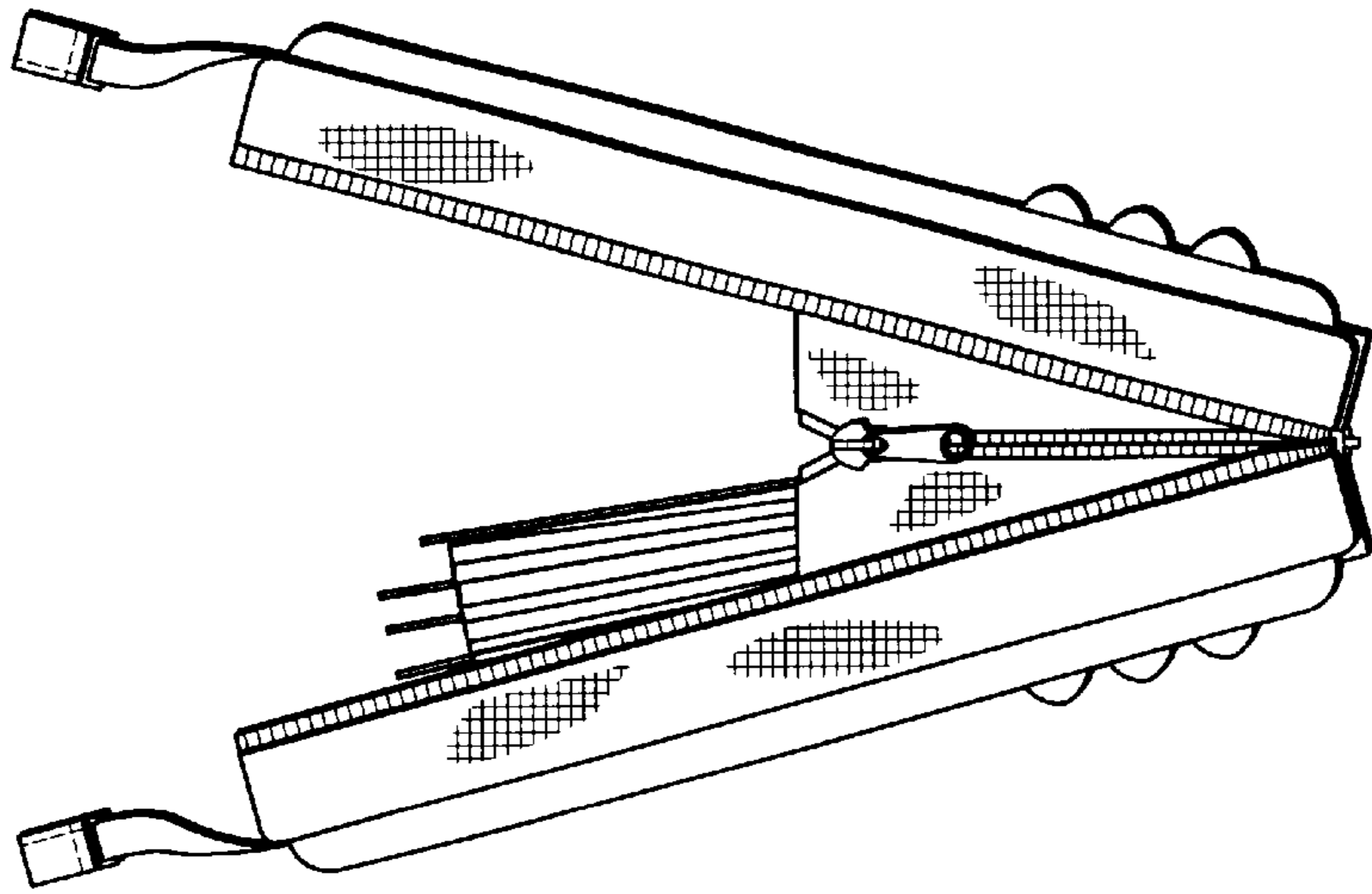


FIG. 14

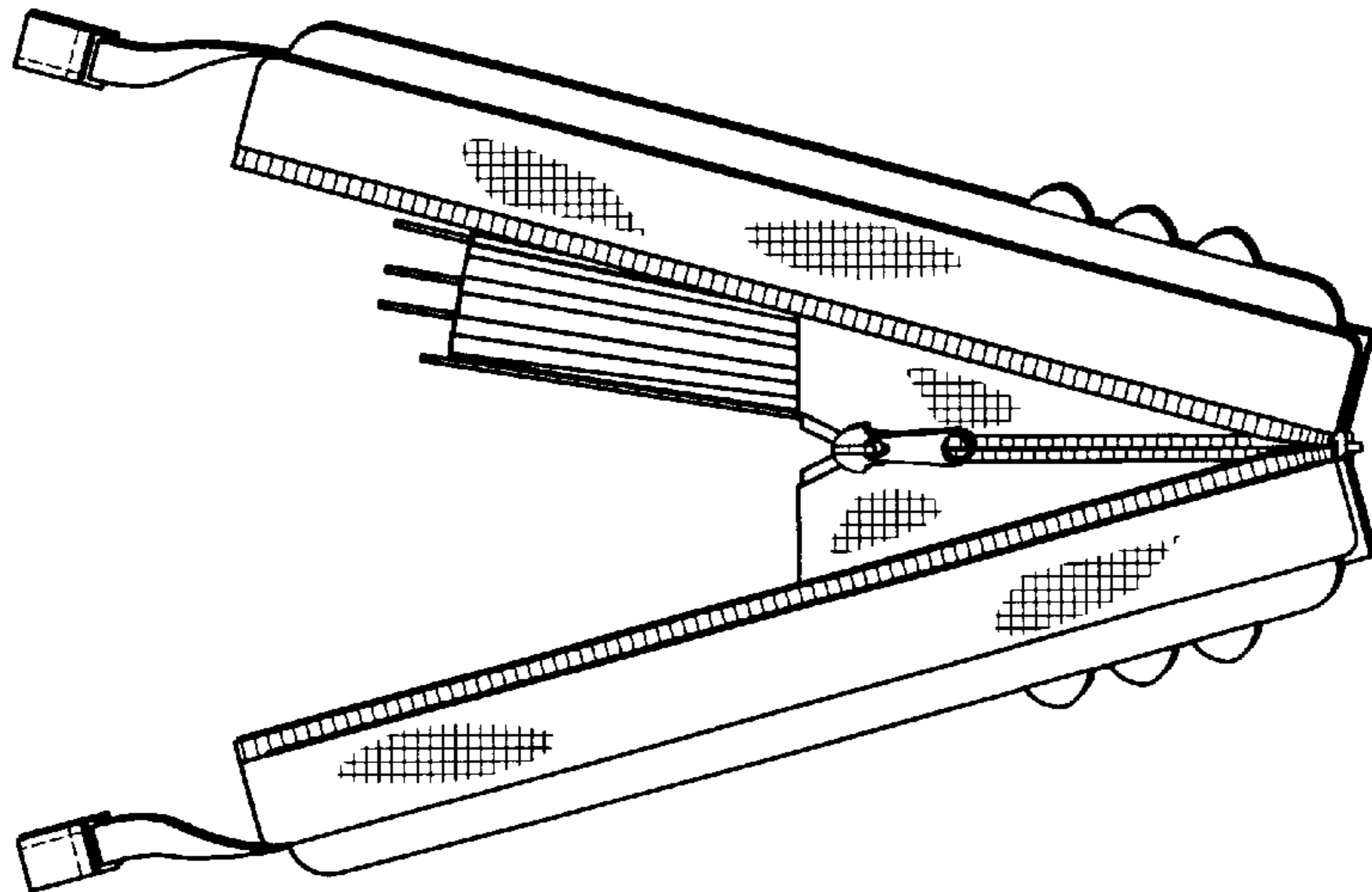


FIG. 13

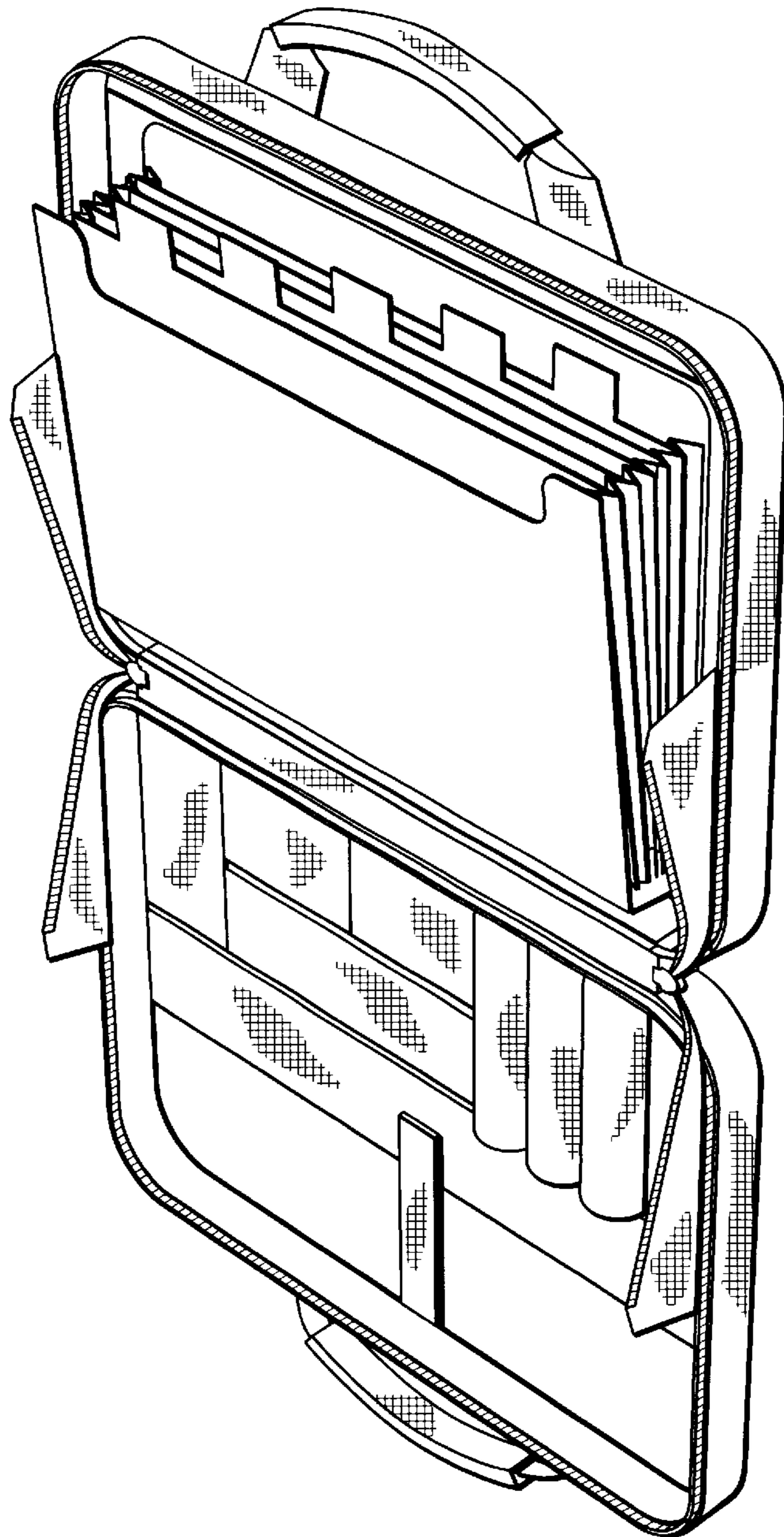


FIG. 15

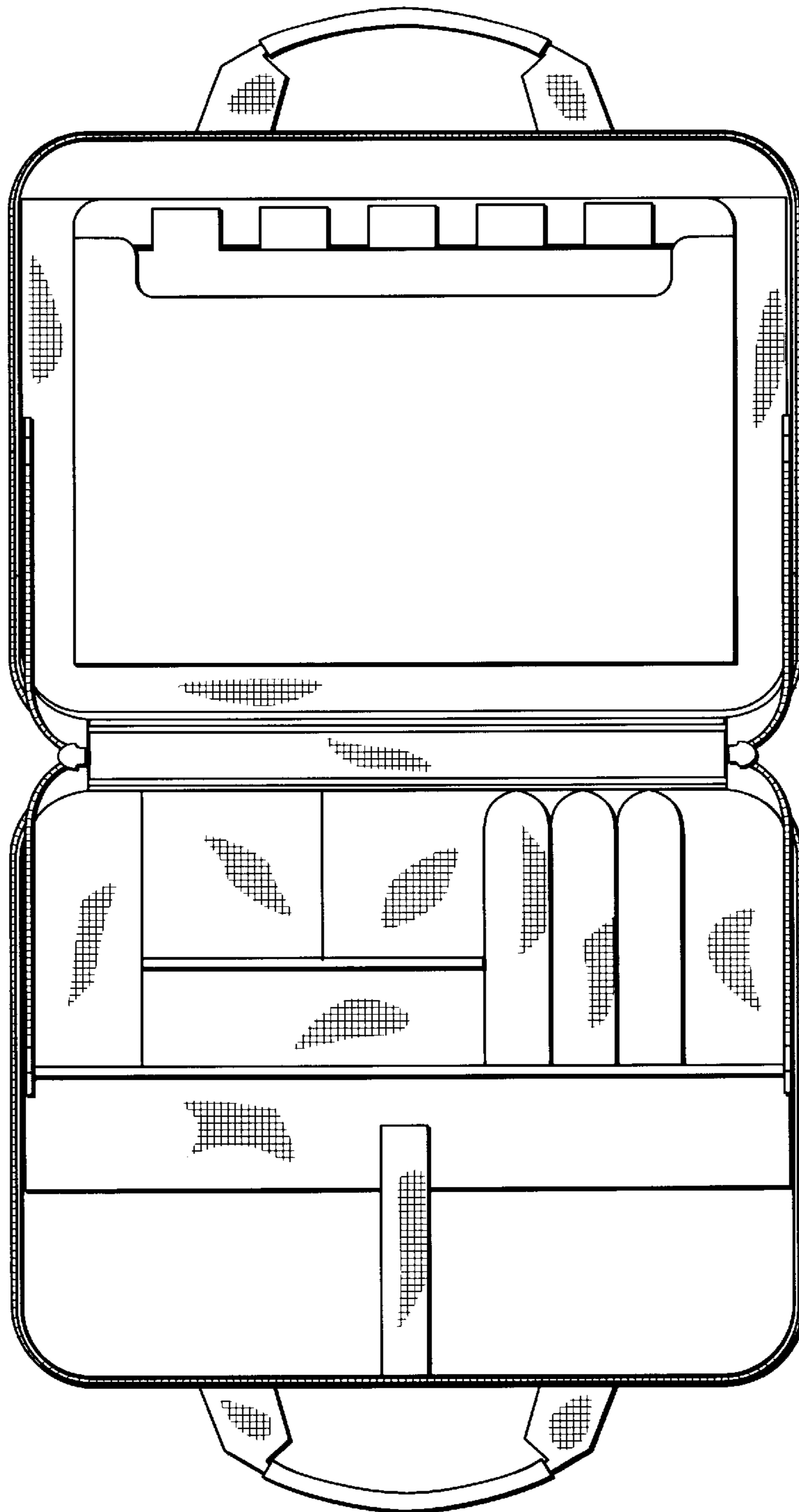


FIG. 16

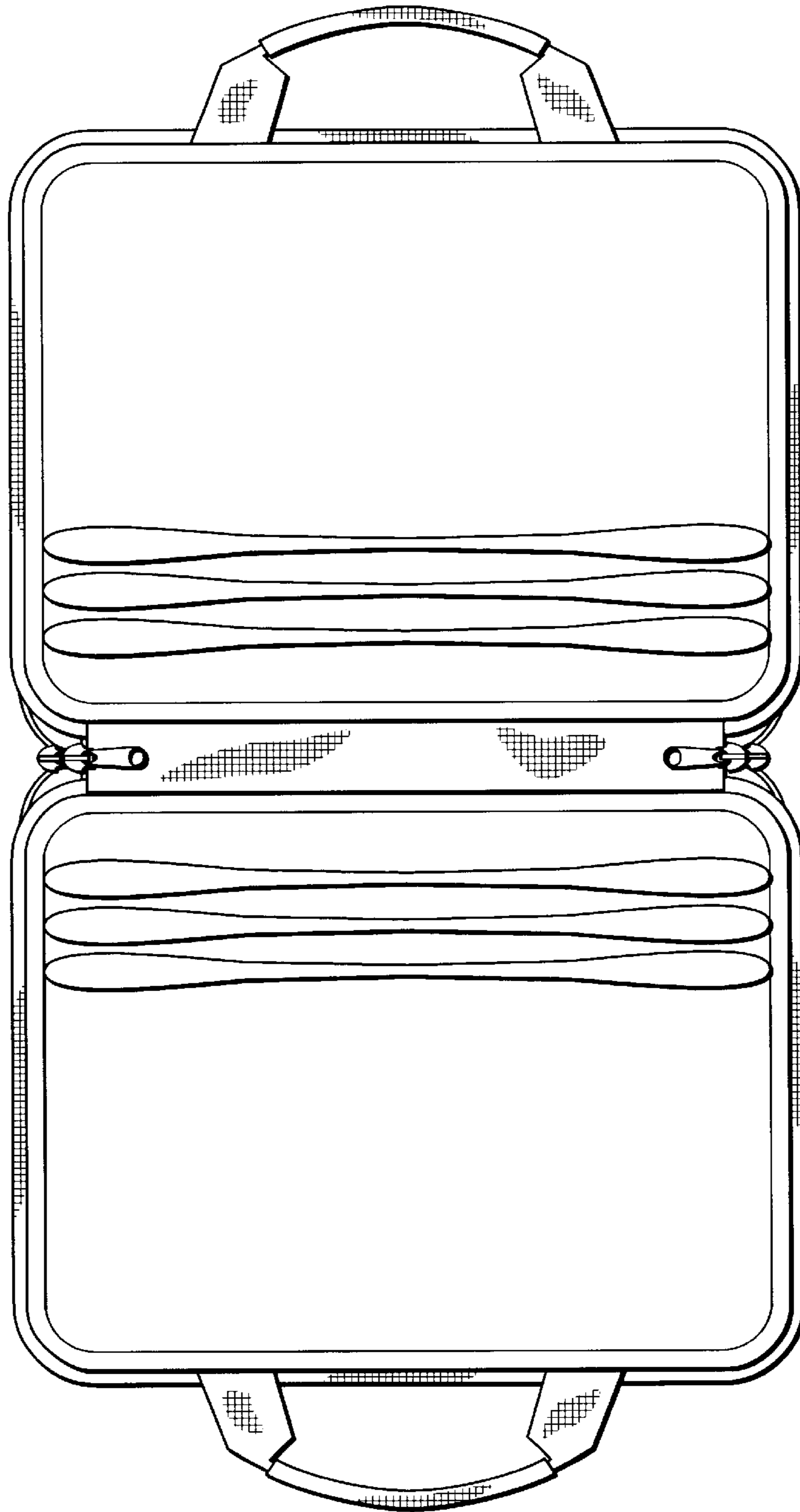


FIG. 17

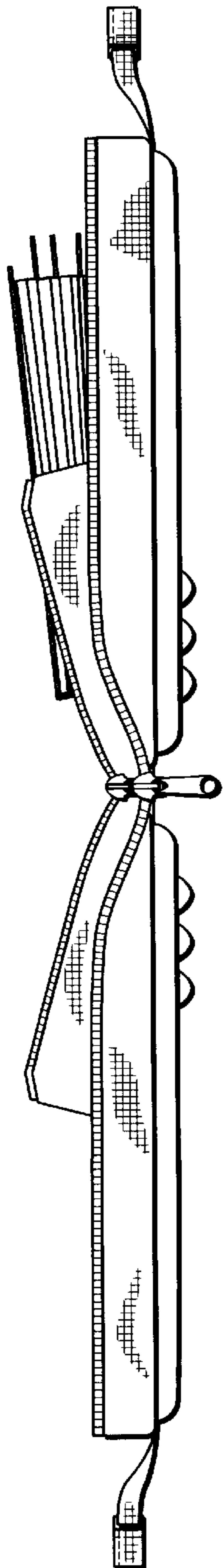


FIG. 18

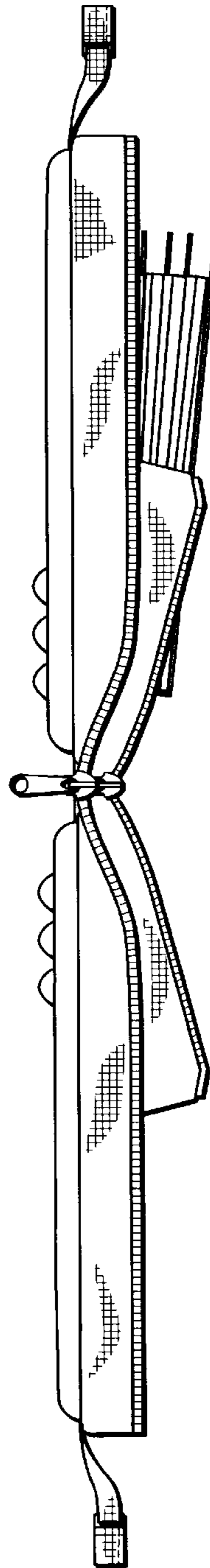


FIG. 19

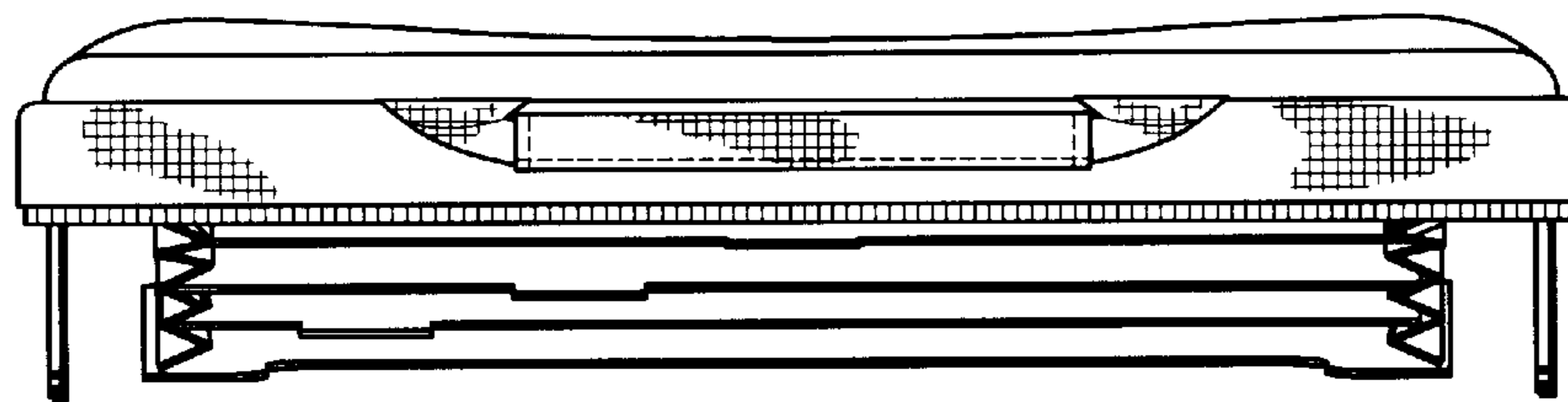


FIG. 20

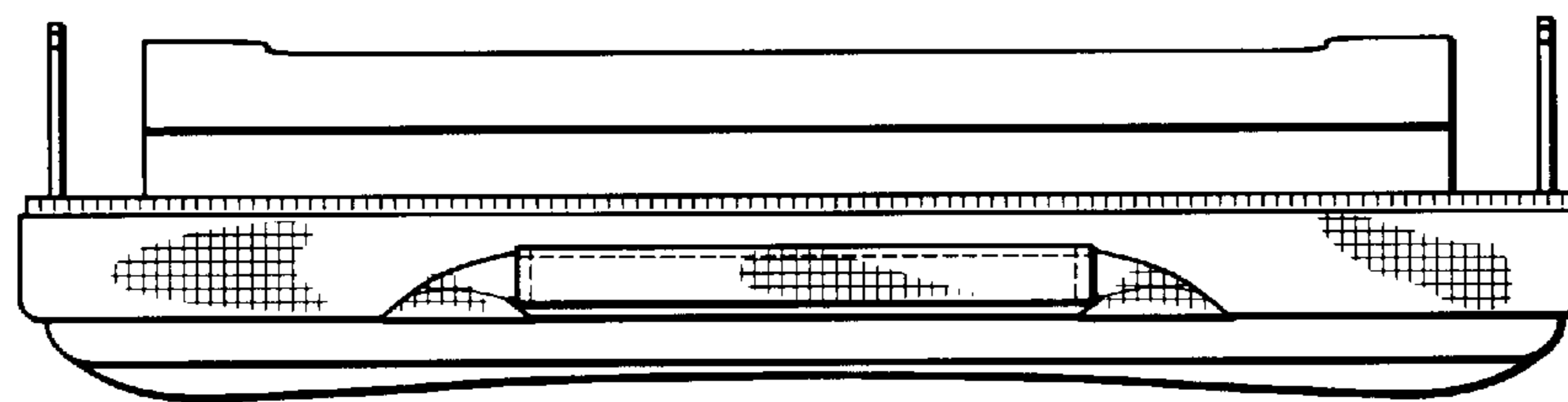


FIG. 21