



US00D529715S

(12) **United States Design Patent** (10) **Patent No.:** **US D529,715 S**
Kline (45) **Date of Patent:** **** Oct. 10, 2006**

(54) **SAW BLADE CONTAINER HAVING DUAL STORAGE AREAS**

(76) Inventor: **Edward W. Kline**, 2459 Columbia Dr., Apt. 23, Clearwater, FL (US) 33763

(**) Term: **14 Years**

(21) Appl. No.: **29/223,603**

(22) Filed: **Feb. 16, 2005**

(51) **LOC (8) Cl.** **03-01**

(52) **U.S. Cl.** **D3/276; D3/294; D3/905**

(58) **Field of Classification Search** D3/260, D3/273-274, 276, 283, 291, 294, 901, 904-905; 206/349, 372-373, 376
See application file for complete search history.

(56) **References Cited**

U.S. PATENT DOCUMENTS

1,607,995	A	*	11/1926	Marcuson	271/9.02
2,759,507	A	*	8/1956	Davis et al.	144/285
2,786,500	A	*	3/1957	Unterfranz	144/285
D206,477	S	*	12/1966	Ax	D3/275
D247,459	S	*	3/1978	Tennison	D3/282
D271,918	S	*	12/1983	Ramirez	D3/282
4,611,713	A	*	9/1986	Byrns	206/349
D431,108	S	*	9/2000	Lewis et al.	D3/276
6,164,447	A	*	12/2000	Svetlik	206/373
6,401,922	B1	*	6/2002	Svetlik	206/373
D467,427	S	*	12/2002	Wolf	D3/289
D471,710	S	*	3/2003	Rushworth	D3/276

OTHER PUBLICATIONS

Web pages from Greenville Woodworkers Guild. (2nd page shows band saw storage container.) Downloaded May 11, 2006 at <http://www.greenvillewoodworkers.com/Member-Workshop.htm>.*

* cited by examiner

Primary Examiner—Philip S. Hyder

Assistant Examiner—RoseLynne (Ulm) Cody

(74) *Attorney, Agent, or Firm*—Stanley M. Miller

(57) **CLAIM**

The ornamental design for a saw blade container having dual storage areas, as shown and described.

DESCRIPTION

FIG. 1 is a front exterior perspective view of a saw blade container having dual storage areas, in accordance with the ornamental design, illustrated in its top open configuration showing saw blades in phantom contained in the article carrier's top storage area;

FIG. 2 is a front exterior perspective view thereof in its closed position;

FIG. 3 is a front view thereof;

FIG. 4 is a rear view thereof;

FIG. 5 is a first side view thereof;

FIG. 6 is a second side view thereof;

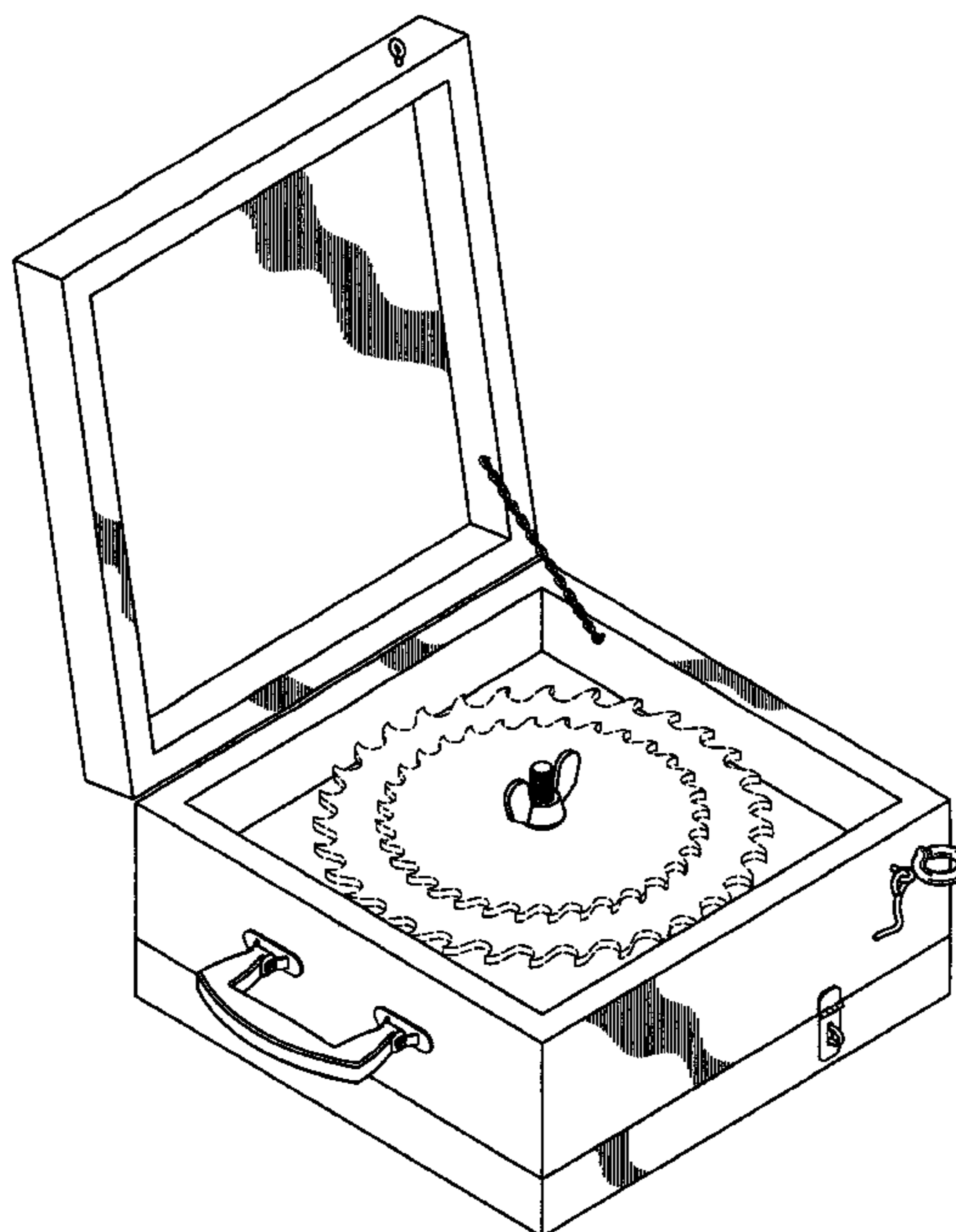
FIG. 7 is a top view thereof;

FIG. 8 is a bottom view thereof; and,

FIG. 9 is a perspective view of the bottom thereof, illustrated with the articles carrier's bottom storage in its open configuration.

The broken line showing of the saw blades is for illustrative purposes only and forms no part of the claimed design.

1 Claim, 6 Drawing Sheets



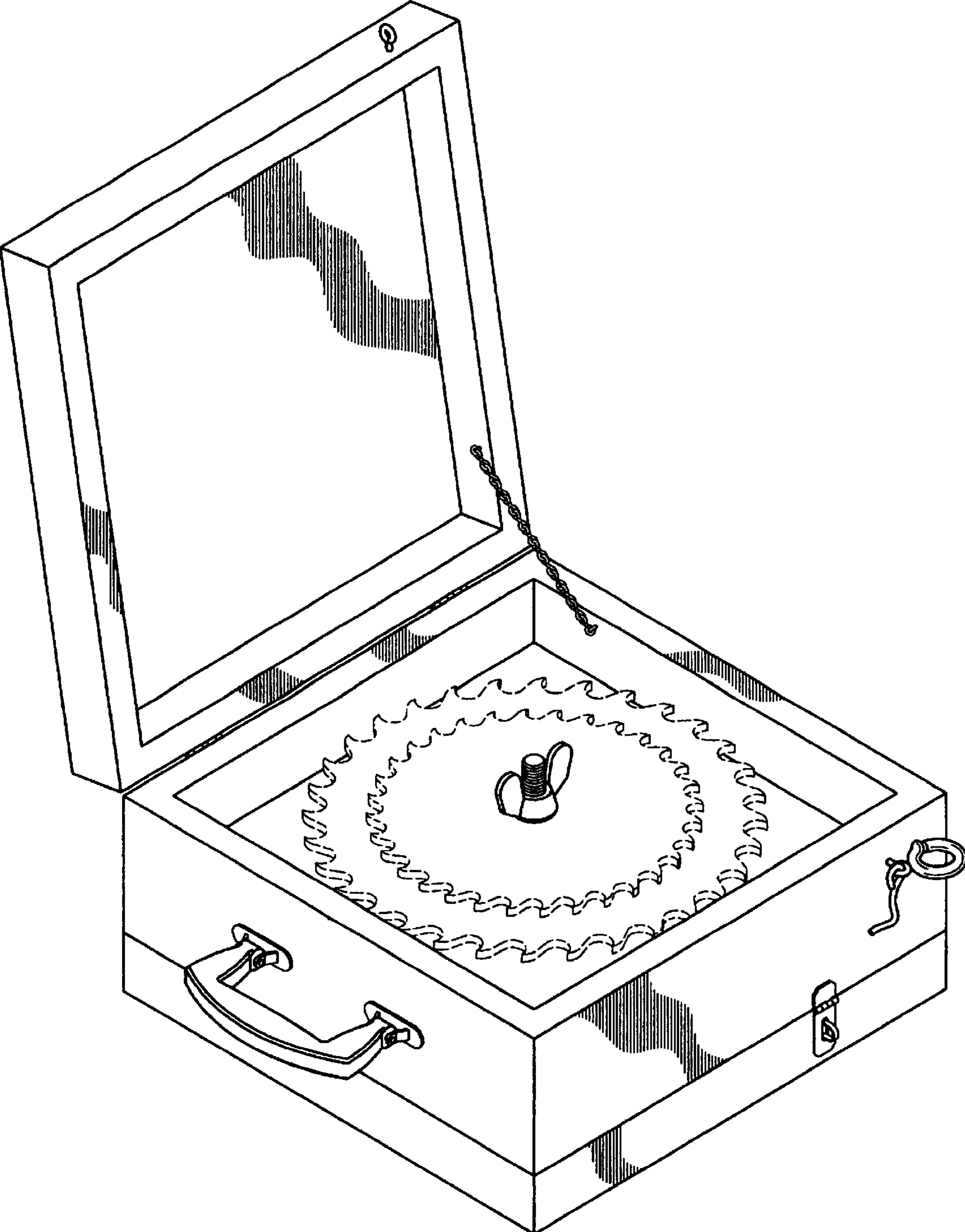


FIG. 1

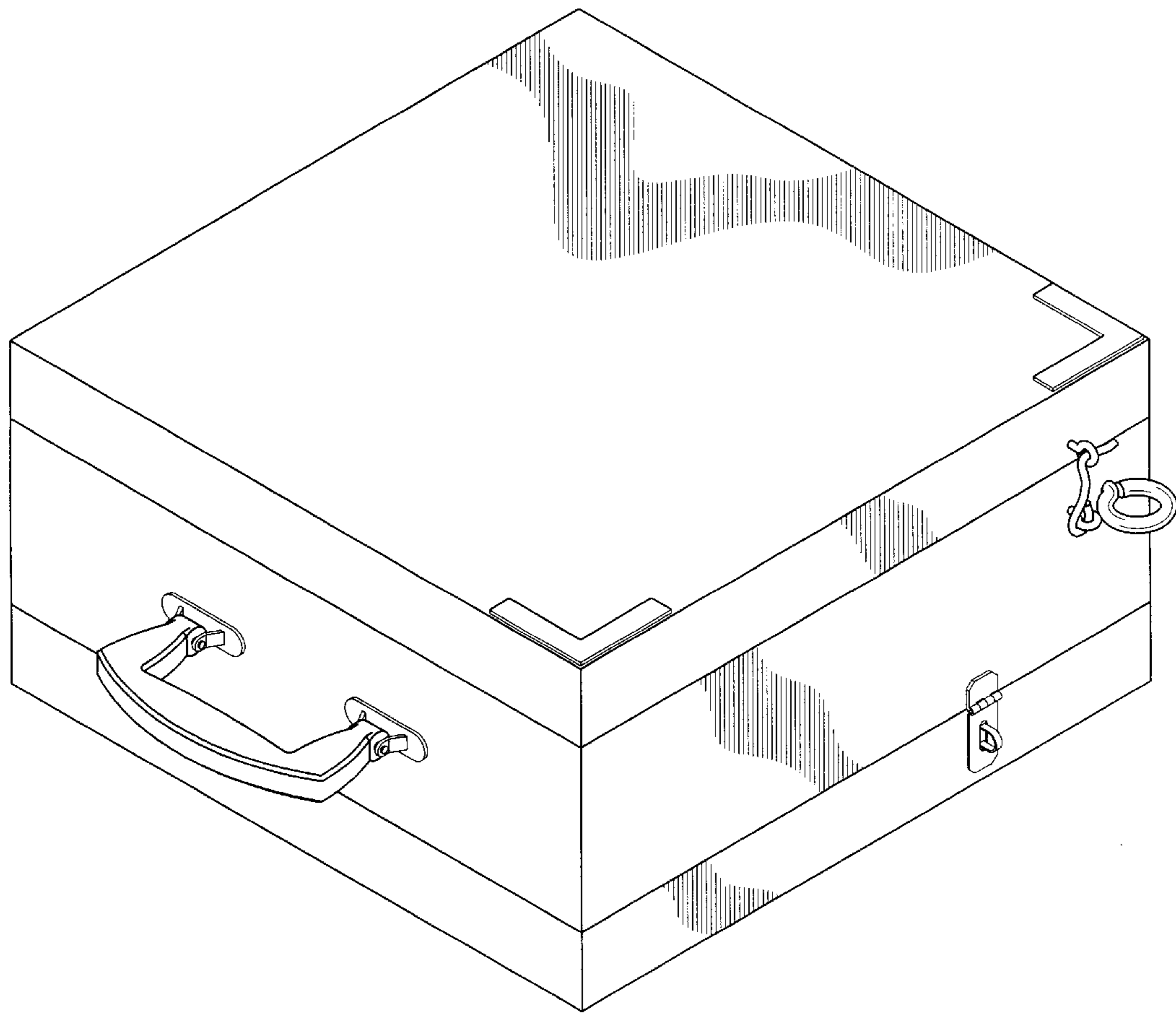


FIG. 2

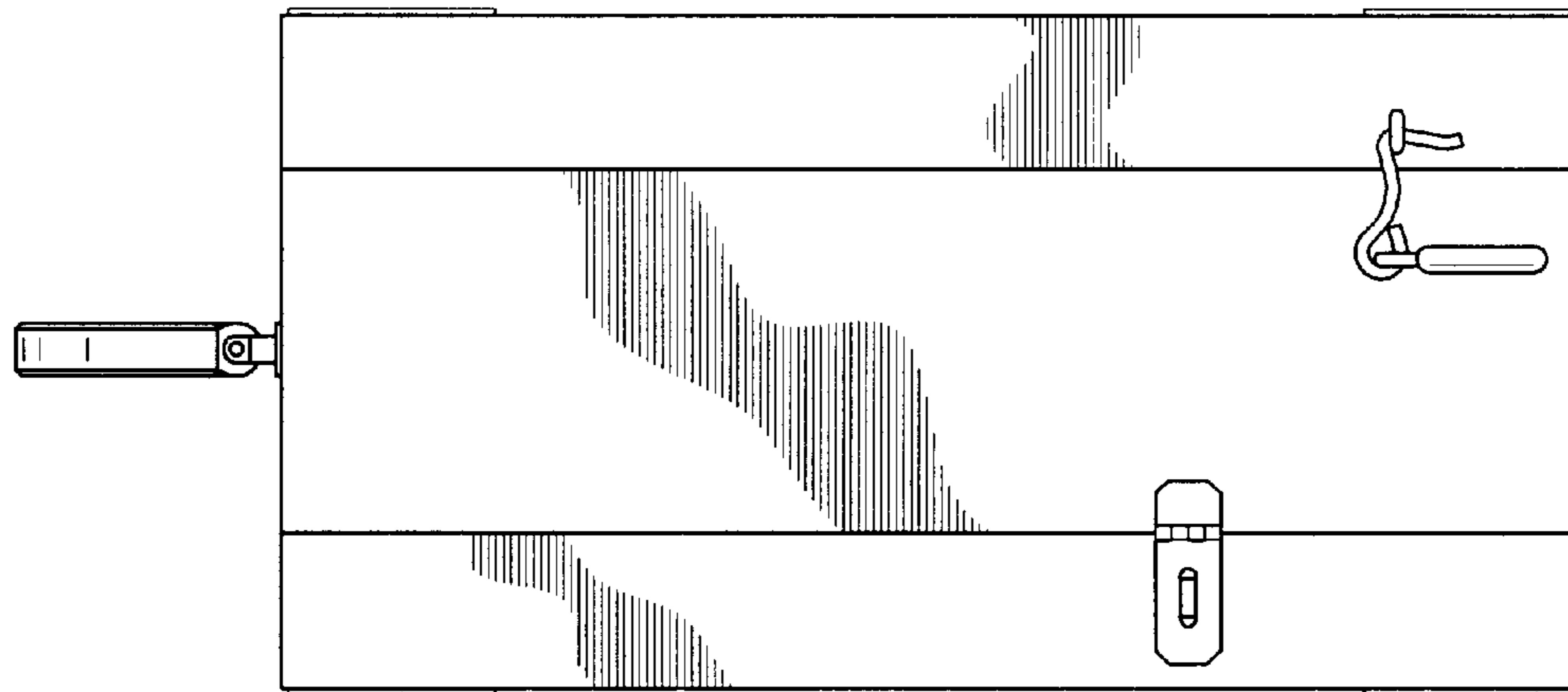


FIG. 3

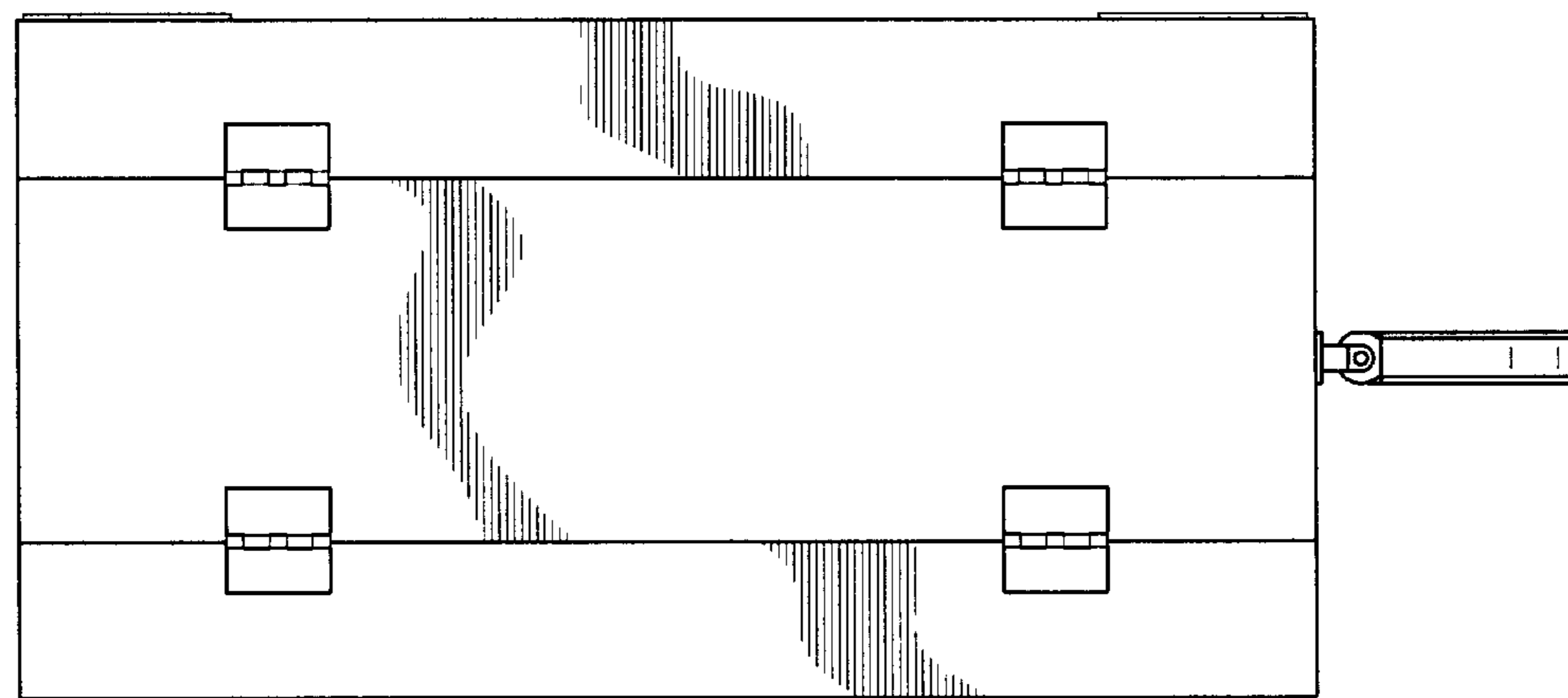


FIG. 4

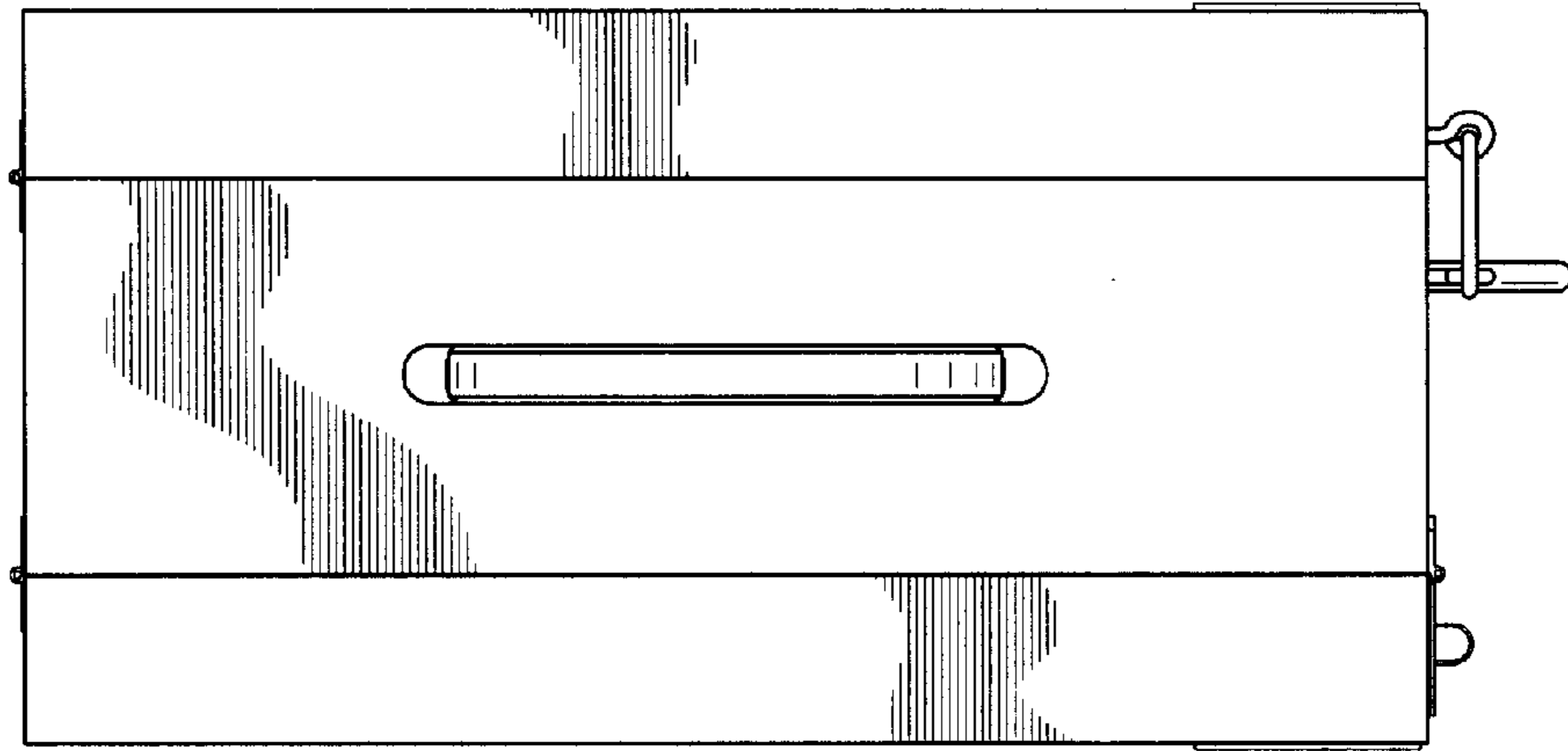


FIG. 5

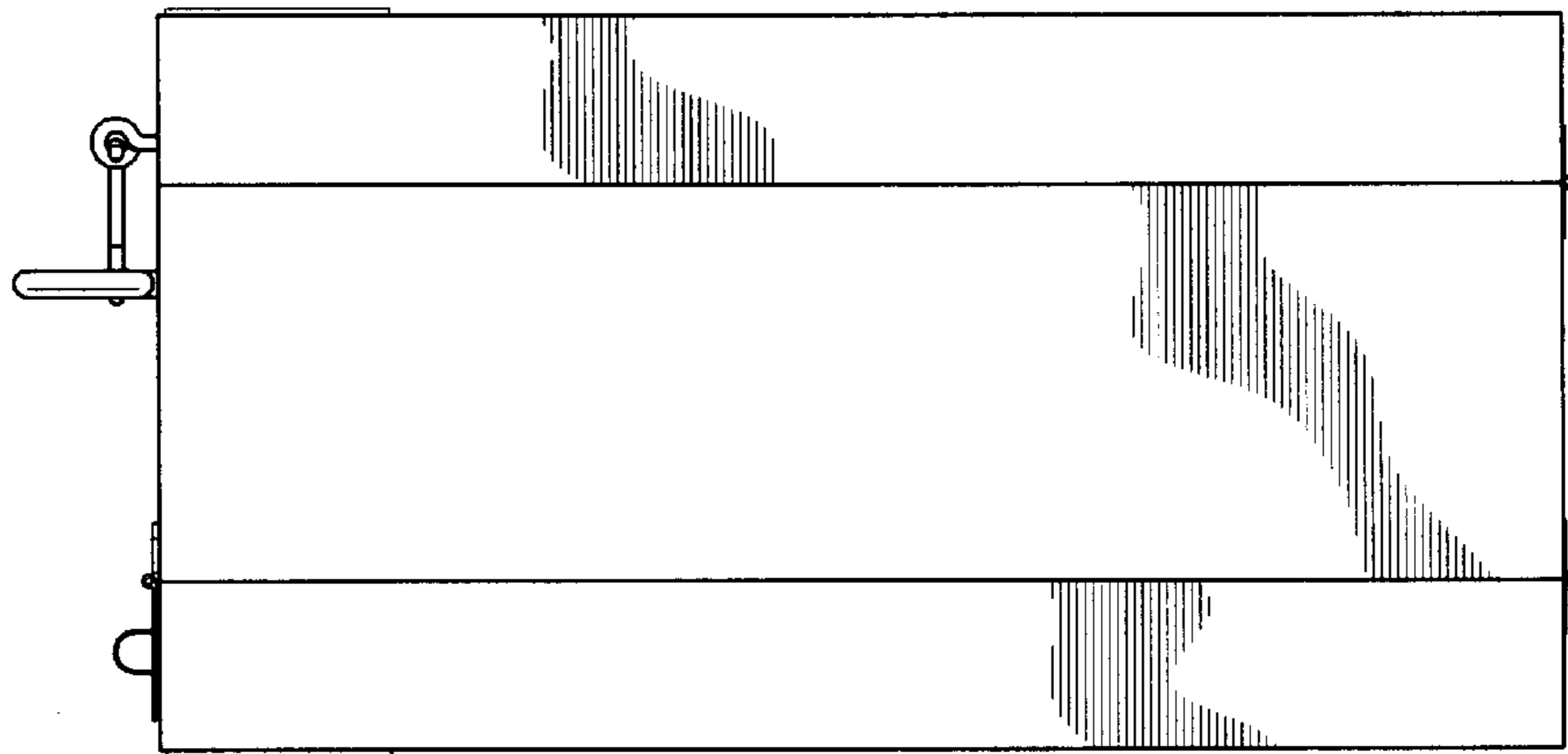


FIG. 6

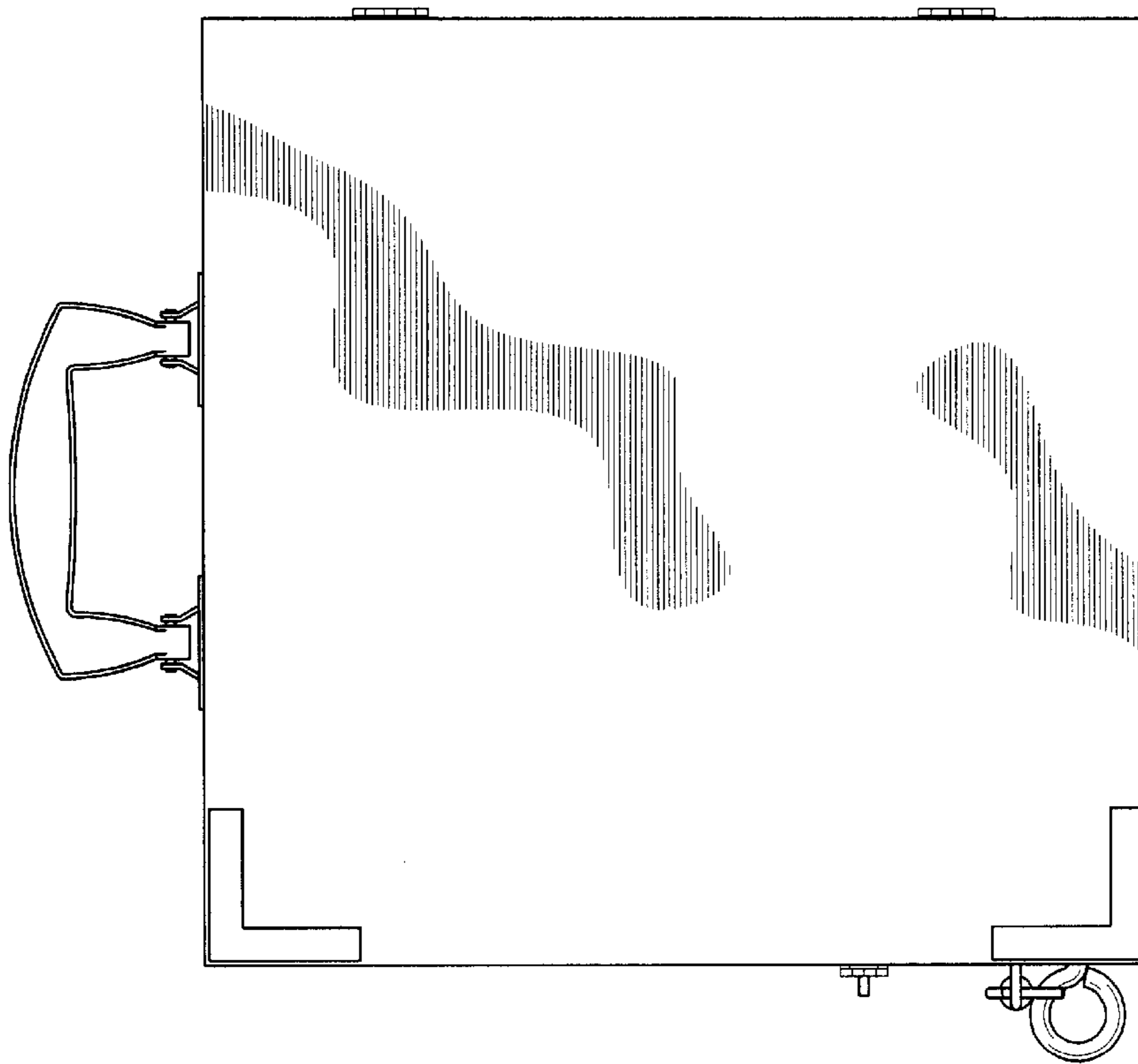


FIG. 7

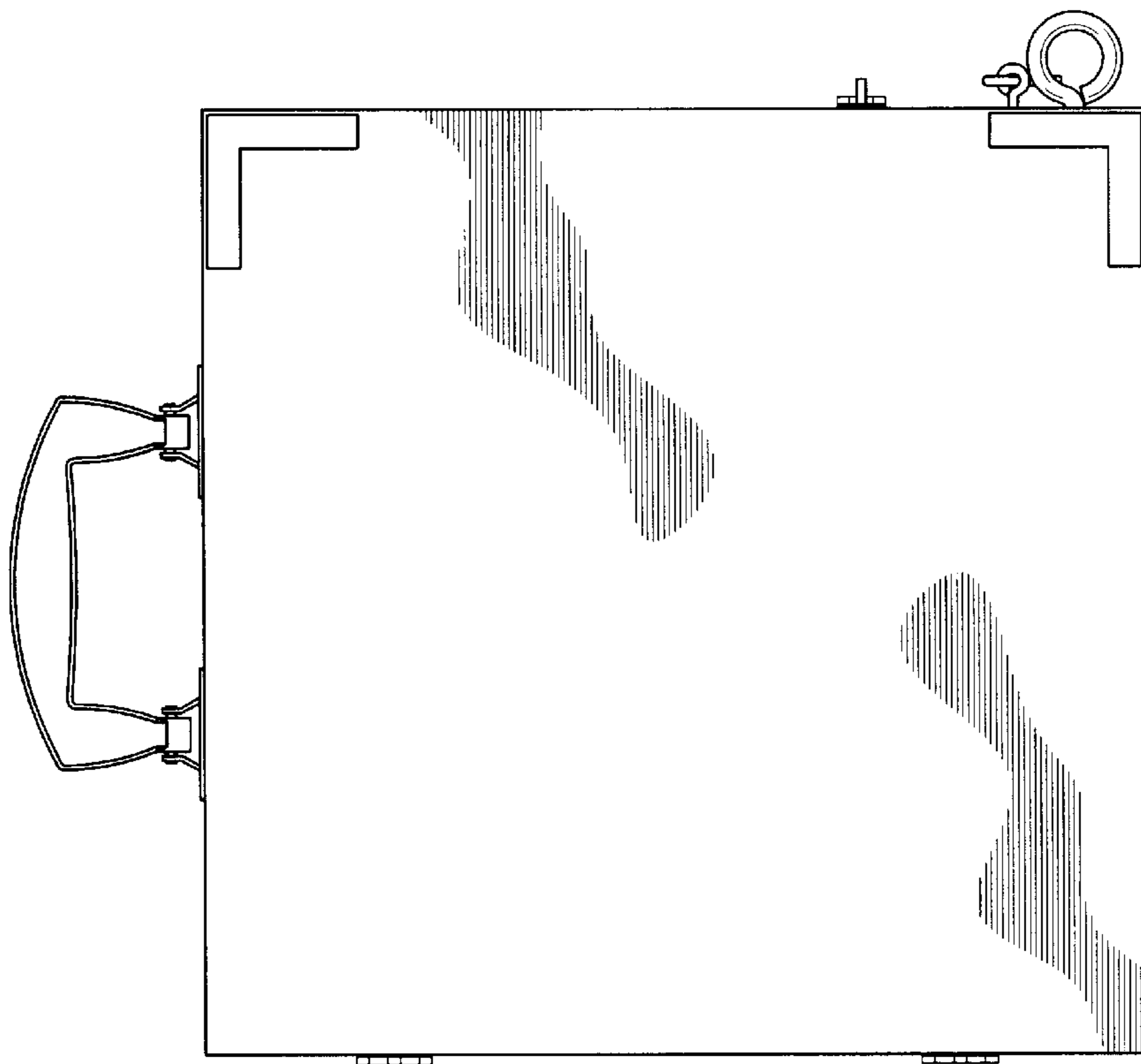


FIG. 8

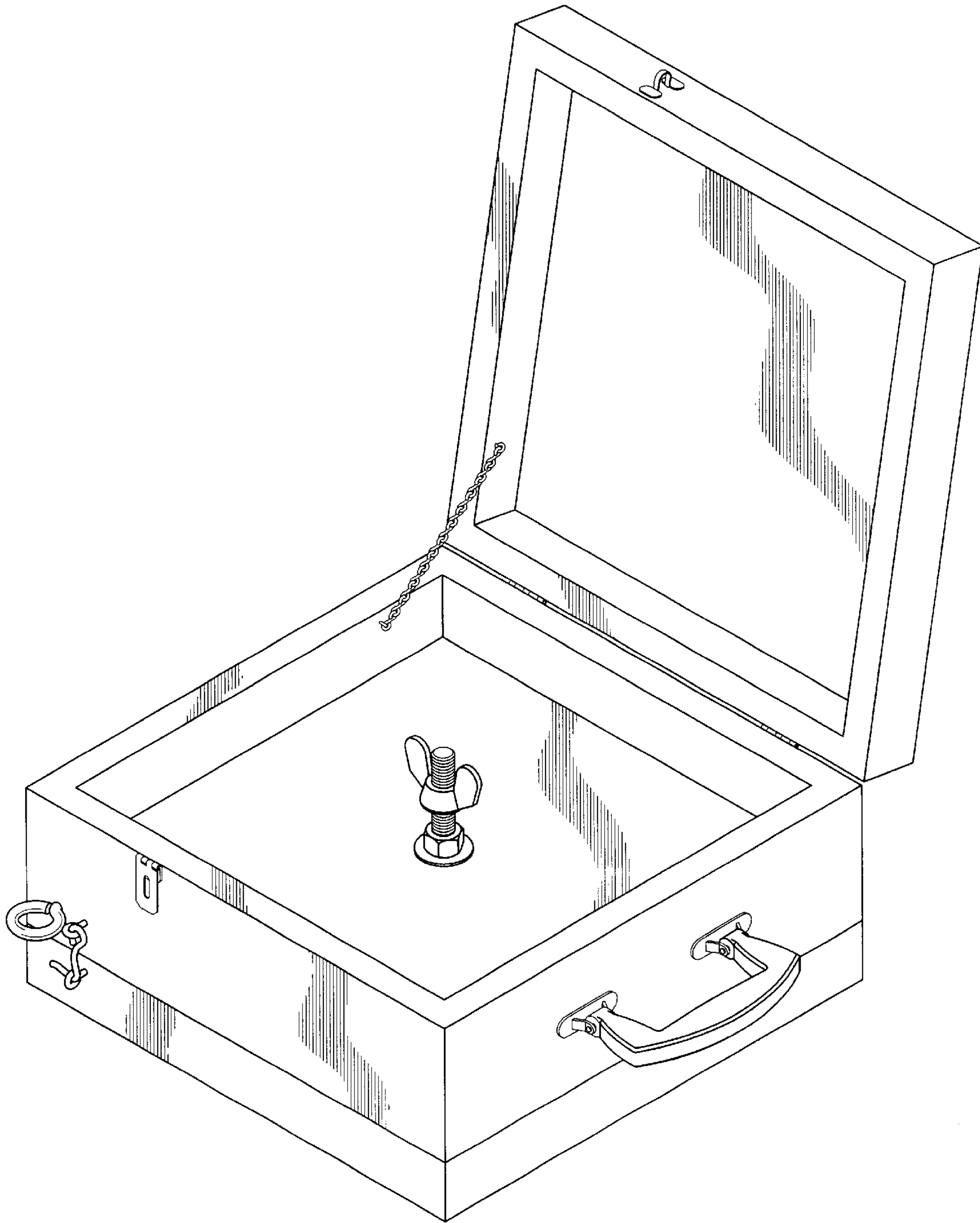


FIG. 9