



US00D529714S

(12) **United States Design Patent**
Rabinovitch

(10) **Patent No.:** **US D529,714 S**
(45) **Date of Patent:** **** Oct. 10, 2006**

(54) **HOLSTER**

(75) Inventor: **Brian Stephen Rabinovitch**, Thornhill (CA)

(73) Assignee: **Industrial Blade Company**, Toronto (CA)

(**) Term: **14 Years**

(21) Appl. No.: **29/201,178**

(22) Filed: **Mar. 12, 2004**

(51) **LOC (8) Cl.** **03-01**

(52) **U.S. Cl.** **D3/222**

(58) **Field of Classification Search** D3/222, D3/223, 215, 218, 232-233; 224/192, 193, 224/198, 911, 603; D2/627
See application file for complete search history.

(56) **References Cited**

U.S. PATENT DOCUMENTS

3,868,573 A 2/1975 Holcomb et al. 455/90.3
5,263,618 A 11/1993 Talavera 224/148.5

(Continued)

FOREIGN PATENT DOCUMENTS

GB 2256700 A * 12/1992

OTHER PUBLICATIONS

e-Holster Personal Care Electronics Case System, Comfortably Wear your Personal Electronics: eHolster, web page <http://www.eholster.com/eholsters1.html>; Mar. 23, 2002, p. 1-2, including prints from webpage, pp. 3-6.

Grant McKenzie; e-Holster Turns Geek into Cool Hombre; web page Business Edge -http://www.members.shaw.ca/mcink/edge_032703_UberGeek.htm; Jul. 2, 2003; page 1-4.

Wearable cellular phone cases, PDA cases, handheld PC cases, digital camera'; e-Holster <http://www.eholster.com>; Jul. 2, 2003, p. 1-2

eVigilance Bag™ Professional Ballistic Nylon Case System, Comfortably Wear Your Personal Electronics, Comfortably Wear and Protect all your Personal Electronics, eHolster web page <http://www.eholster.com/evbagprofessional.html>; Jul. 2, 2003, p. 1-2.

(Continued)

Primary Examiner—Catherine R. Oliver

(74) *Attorney, Agent, or Firm*—Michael J. Bell; Howrey LLP

(57) **CLAIM**

The ornamental design for a holster, as shown and described.

DESCRIPTION

FIG. 1 is a front elevational view of a holster embodying my design on a human;

FIG. 2 is a rear elevational view of the holster of FIG. 1 on a human;

FIG. 3 is a perspective view of the pocket-side of the holster not being worn;

FIG. 4 is an alternative perspective view of the back-side of the holster not being worn;

FIG. 5 is a plan view of the pocket-side of the holster not being worn;

FIG. 6 is a plan view of the back-side of the holster not being worn;

FIG. 7 is a front elevational view of an alternate embodiment of my holster design on a human;

FIG. 8 is a rear elevational view of the alternate embodiment of FIG. 7 on a human;

FIG. 9 is a perspective view of the pocket-side of the alternative embodiment not being worn;

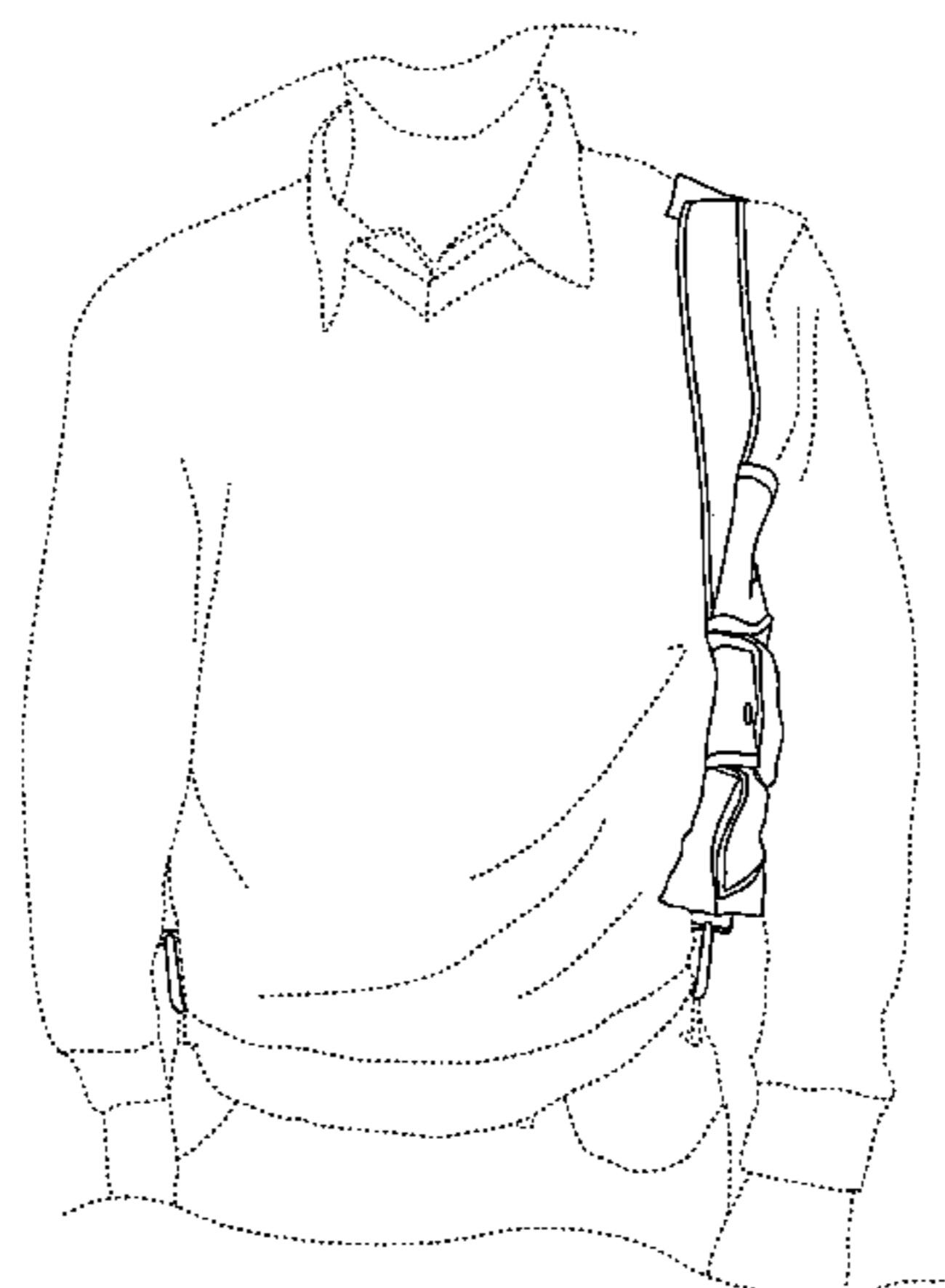
FIG. 10 is an alternative perspective view of the back-side of the alternative embodiment not being worn;

FIG. 11 is a plan view of the pocket-side of the alternative embodiment not being worn; and,

FIG. 12 is a plan view of the back-side of the alternative embodiment not being worn.

The dashed lines in FIGS. 1, 2, 7, and 8 show environment only and do not form any part of the claimed design.

1 Claim, 12 Drawing Sheets



U.S. PATENT DOCUMENTS

D346,495	S	*	5/1994	Morrissey	D3/218
5,358,159	A		10/1994	Lundie, Jr.	224/206
5,586,704	A		12/1996	Alexander et al.	224/605
5,653,336	A		8/1997	Buonaiuto et al.	206/320
D396,553	S		8/1998	Mecham et al.	D3/218
D449,735	S	*	10/2001	Nielsen	D3/222
D464,194	S	*	10/2002	Ashworth	D3/222
D467,417	S	*	12/2002	Jackson	D3/218

OTHER PUBLICATIONS

e-Uro Case System; Comfortably Wear Your Personal Electronics, eHolster web page <http://www.eholster.com/euro.html>, Jul. 2, 2003, p. 1-6.

E-URO Review, web page <http://www.mypdcafe.com/articles/read.php>, Jul. 2, 2003, p. 1-7.

E-Pouch Cases, Comfortably Wear your Personal Electronics; eHolster, web page <http://www.eholster.com/epouches1.html>; Jul. 2, 2002, p. 1-2.

e-Vigilance Bag Professional Leather Case System, Comfortably Wear your Personal Electronics; eHolster, web page <http://www.eholster.com/evbagprof1.html>; Jul. 2, 2002, p. 1-2.

* cited by examiner

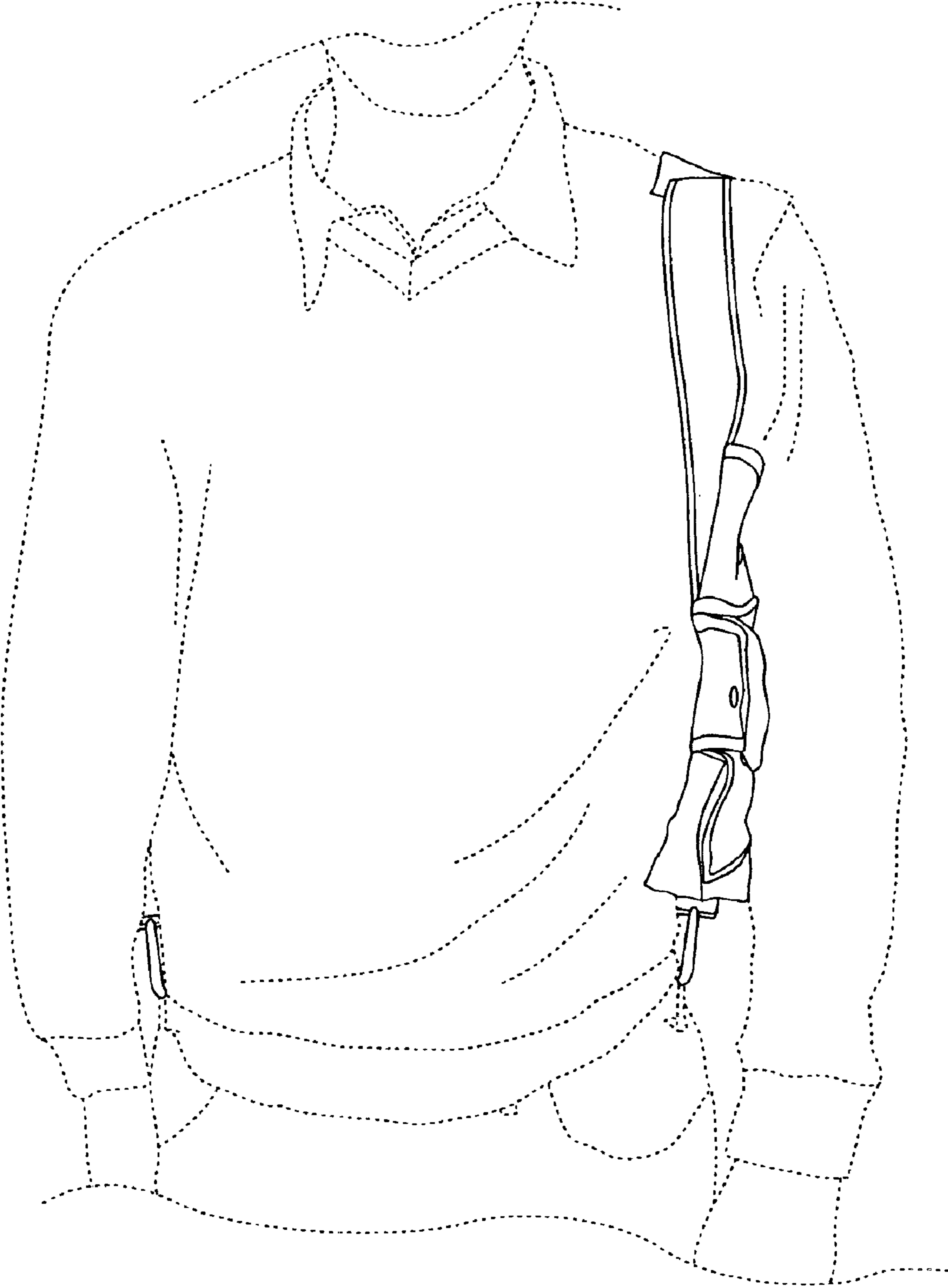


FIG. 1

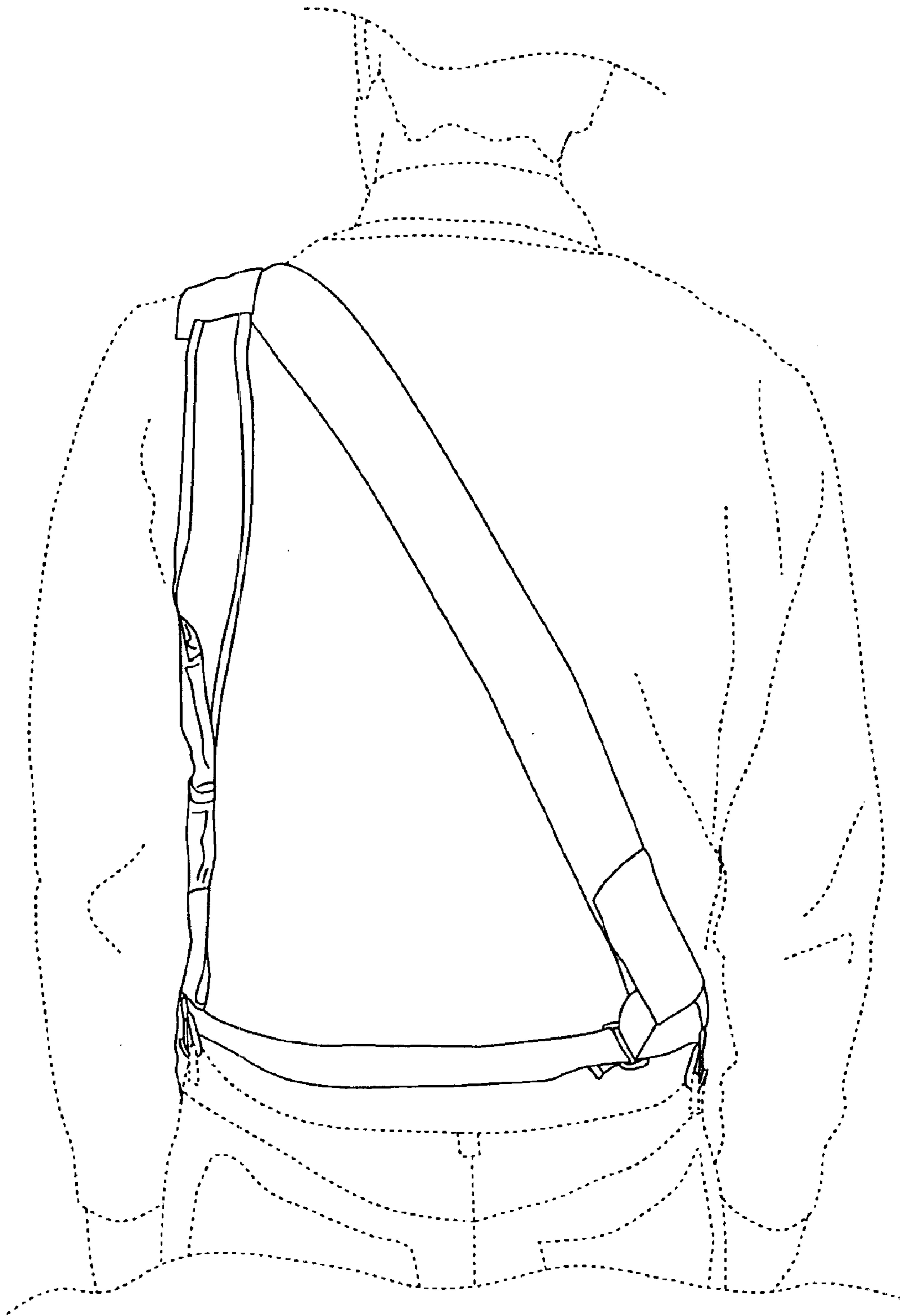


FIG. 2

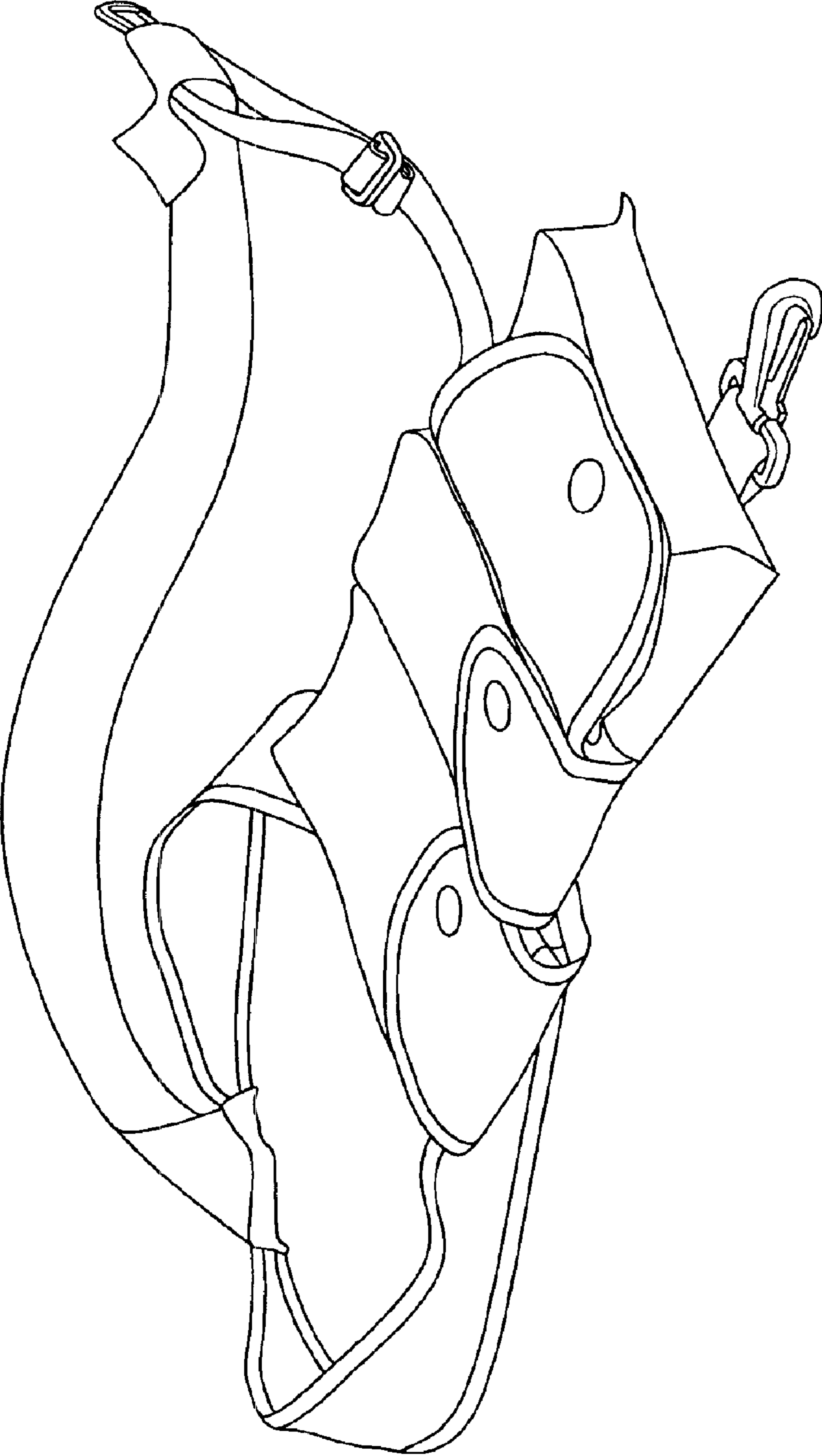


FIG. 3

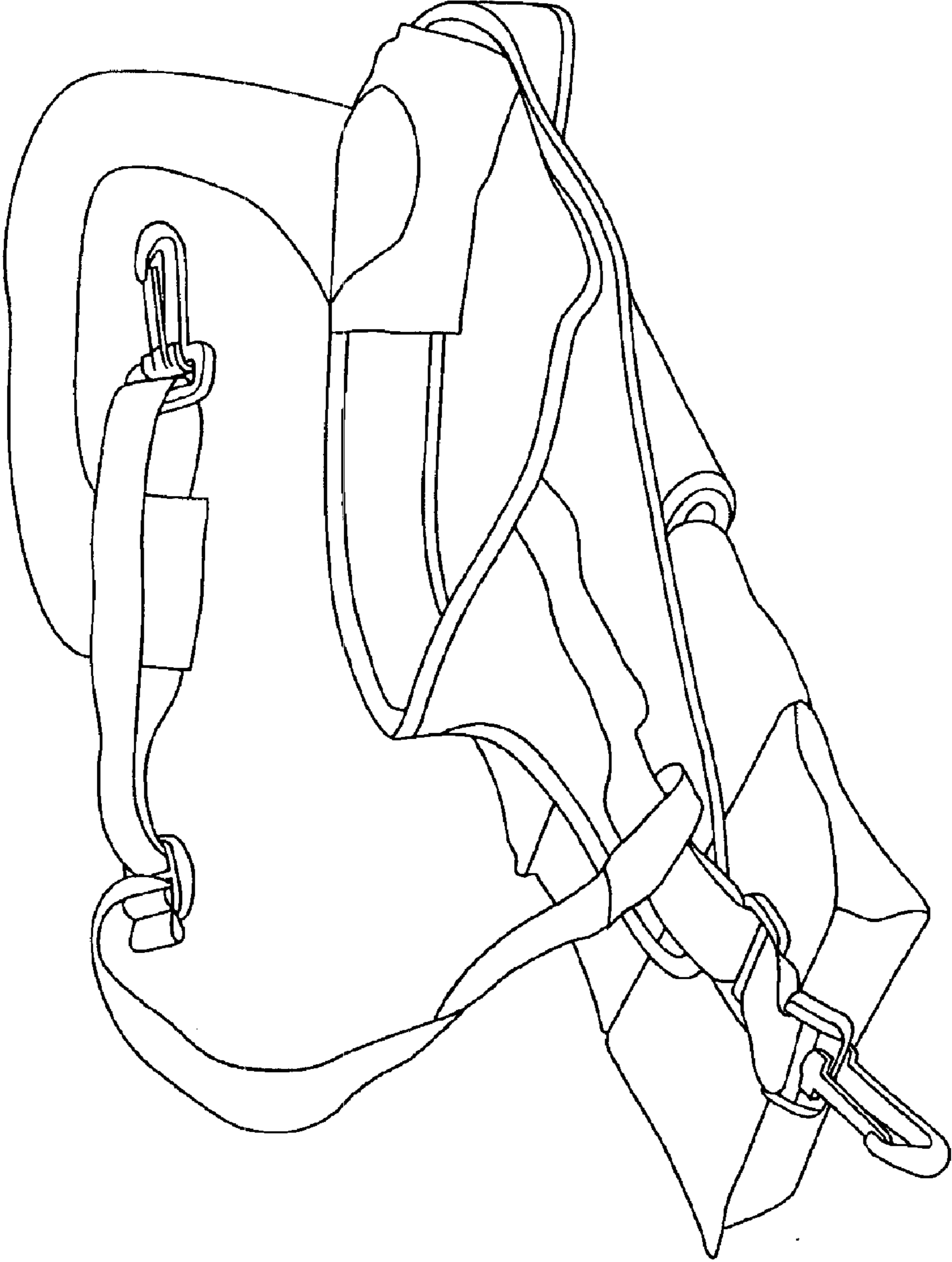


FIG. 4

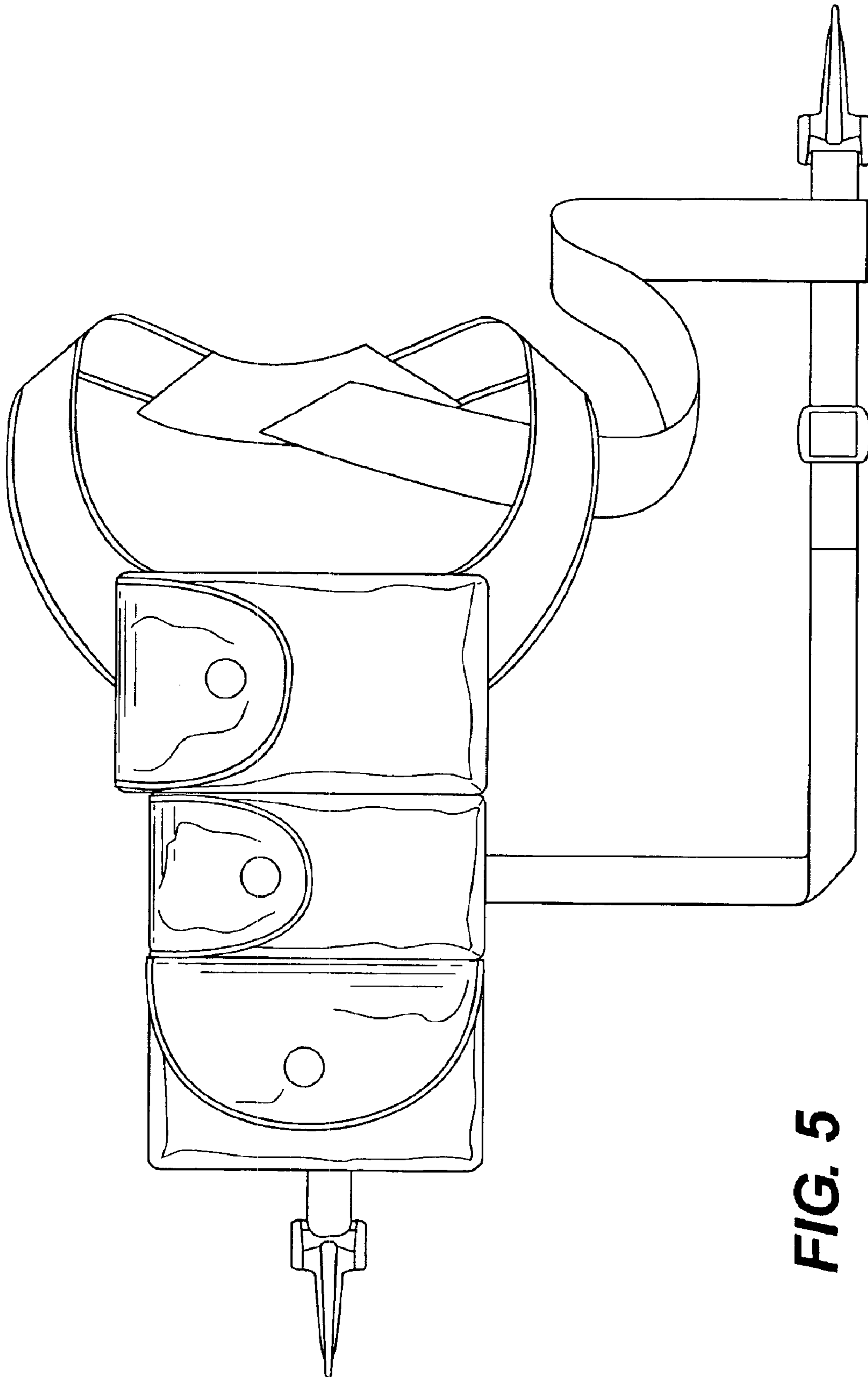


FIG. 5

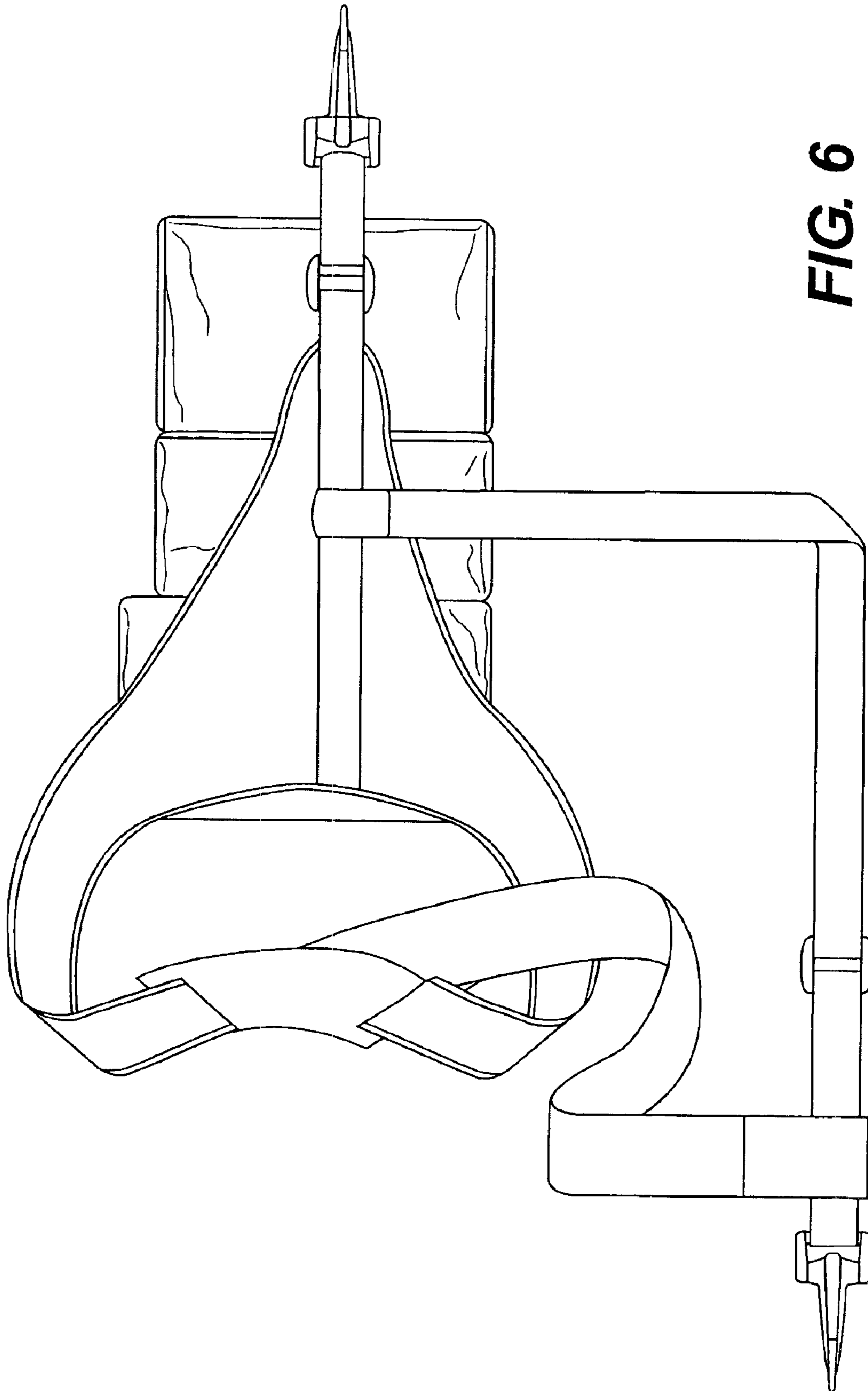


FIG. 6

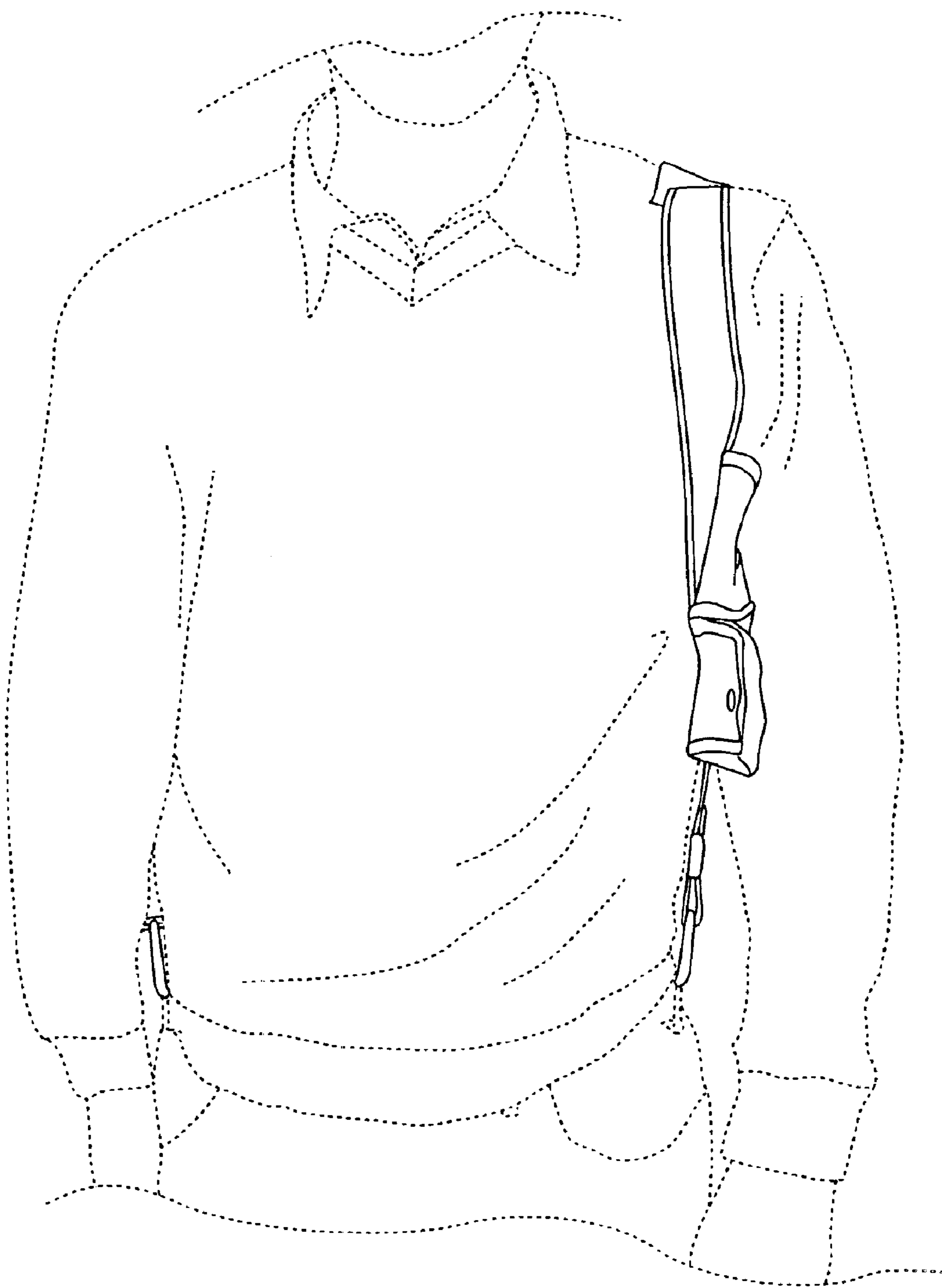


FIG. 7

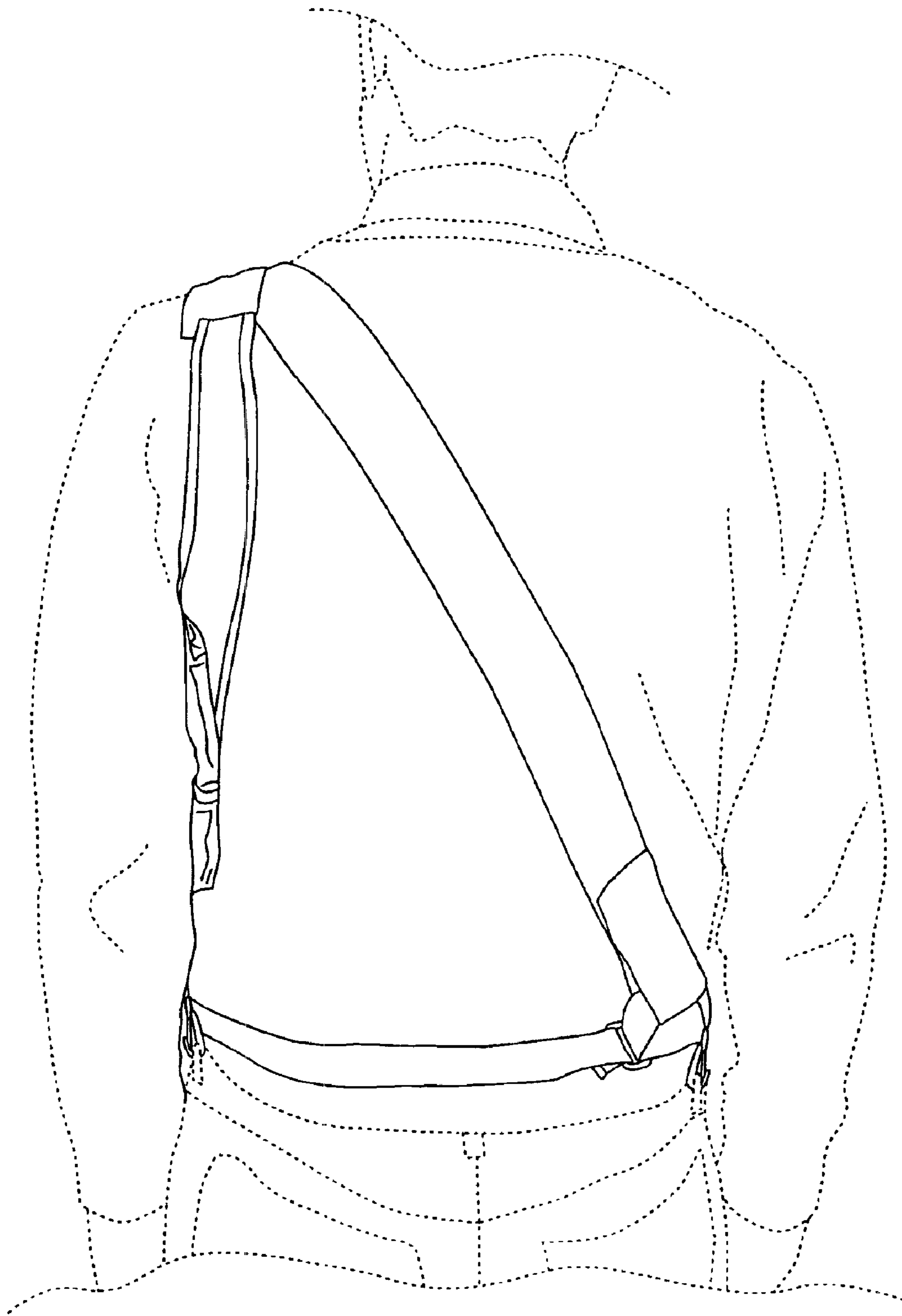


FIG. 8

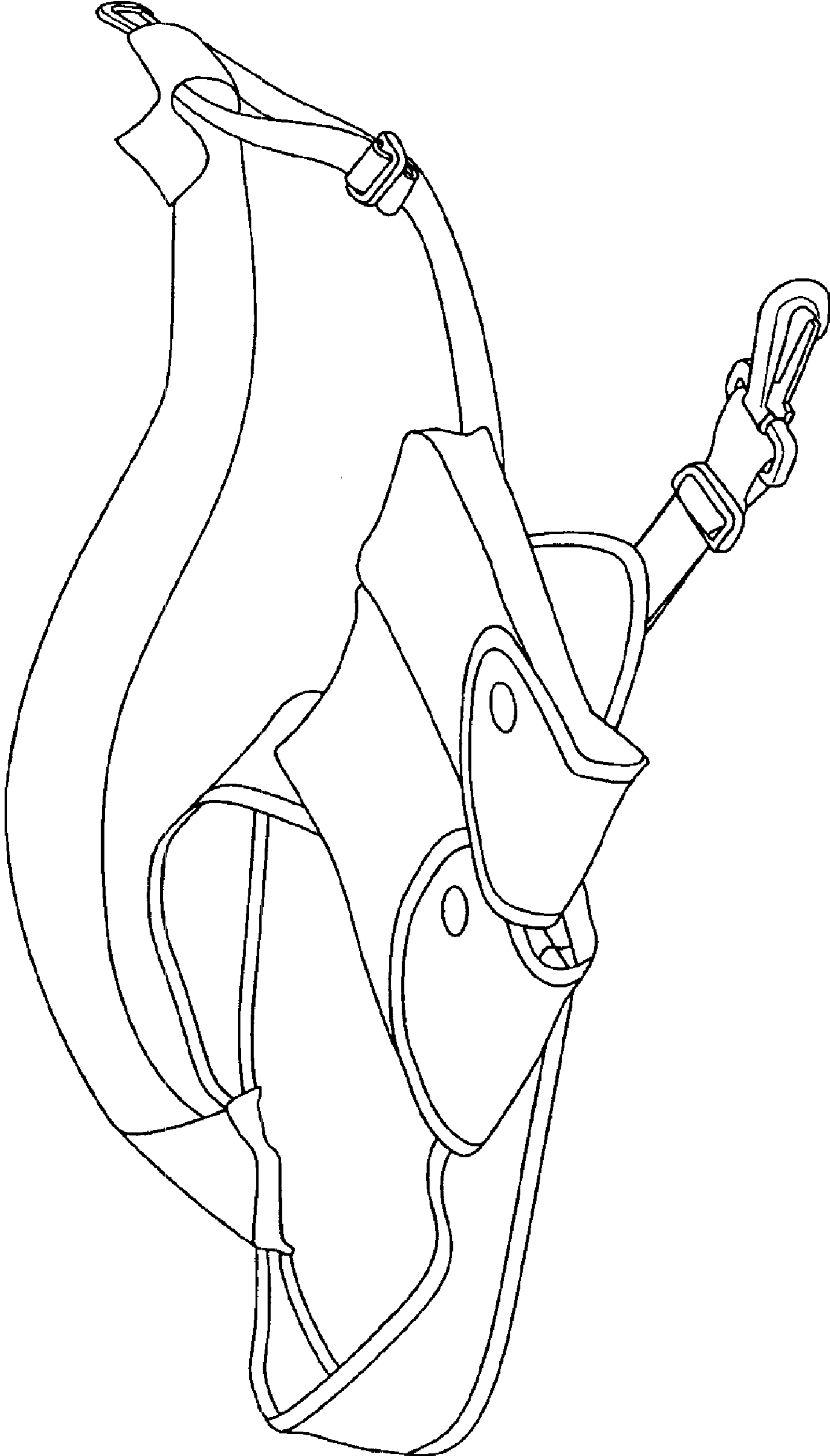


FIG. 9

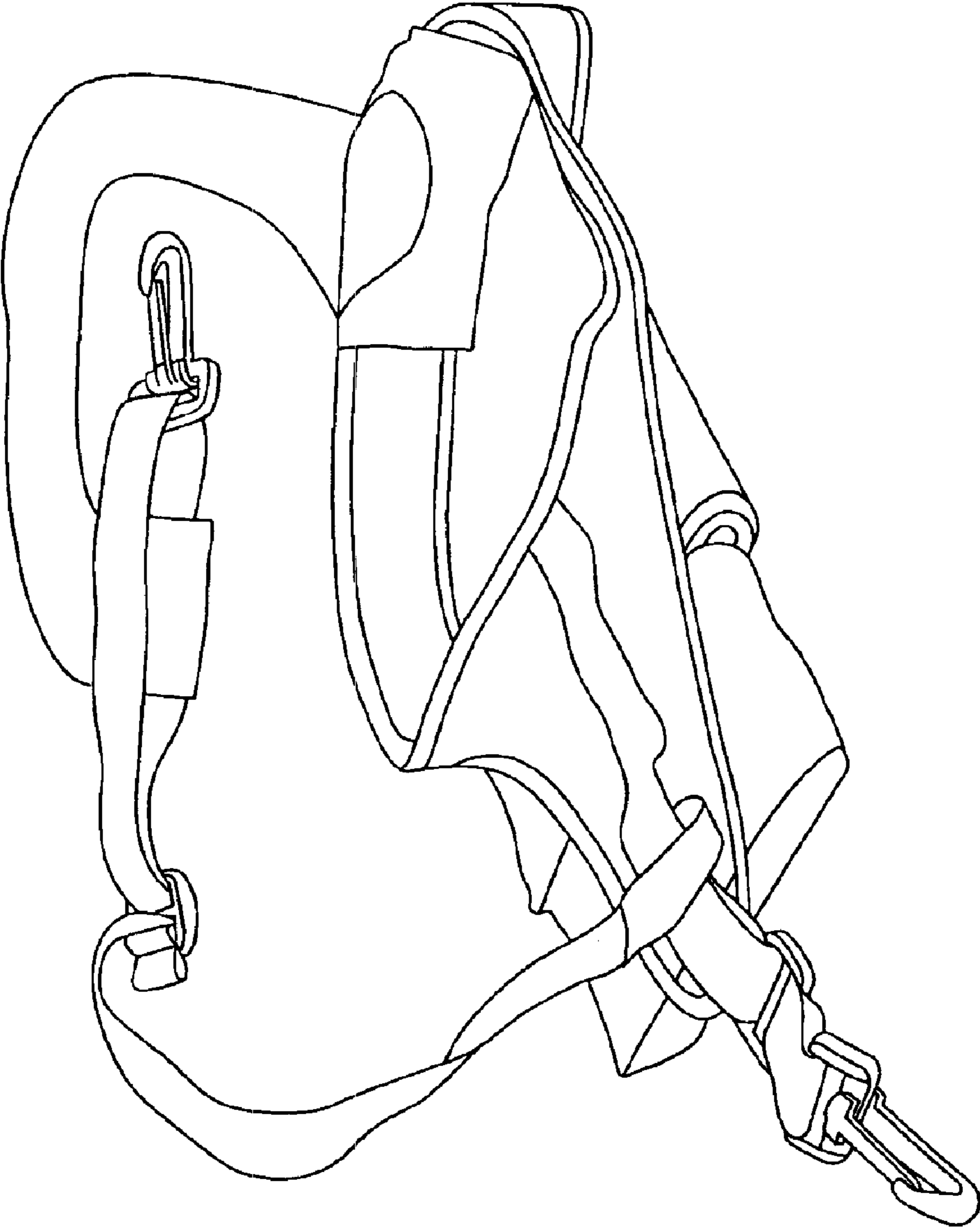


FIG. 10

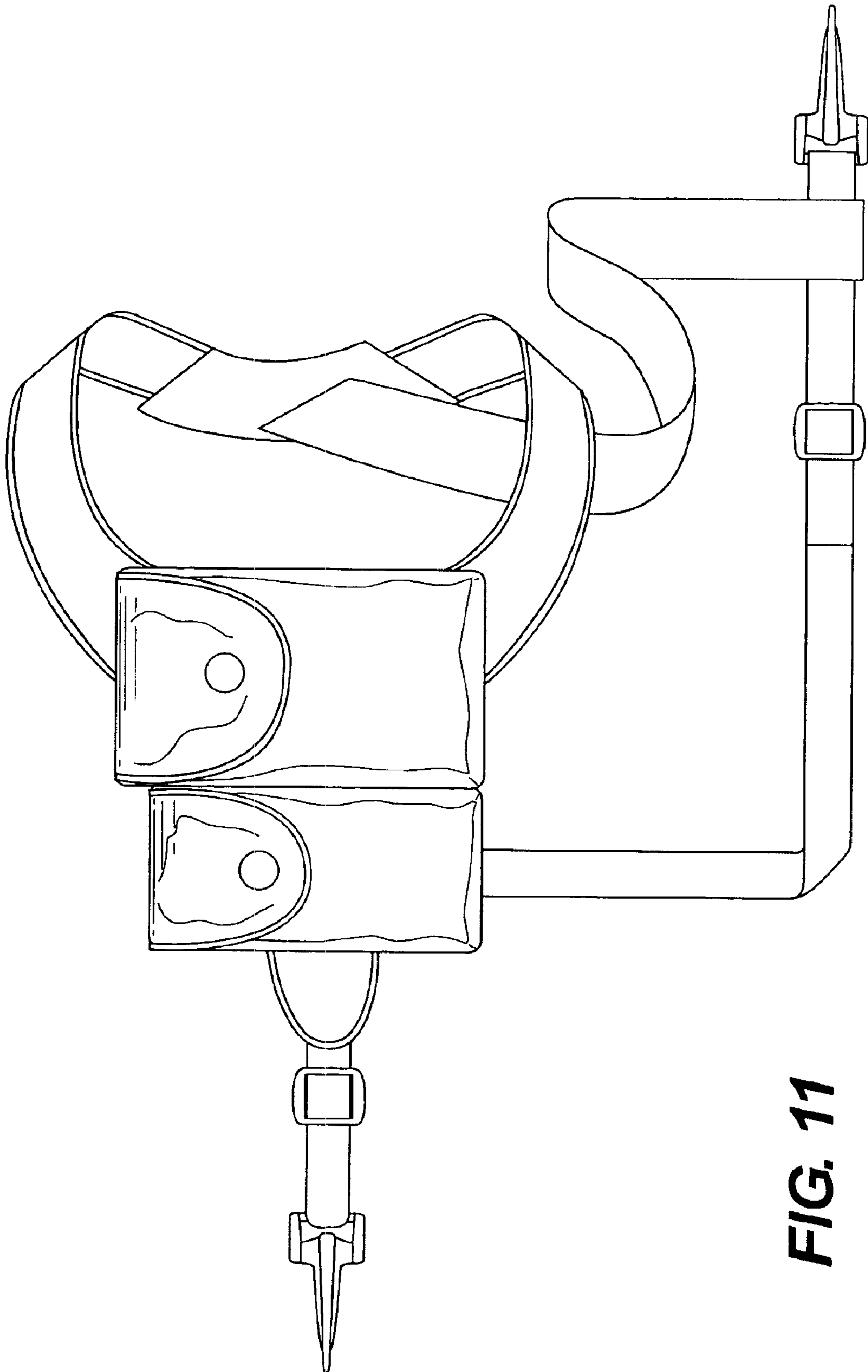


FIG. 11

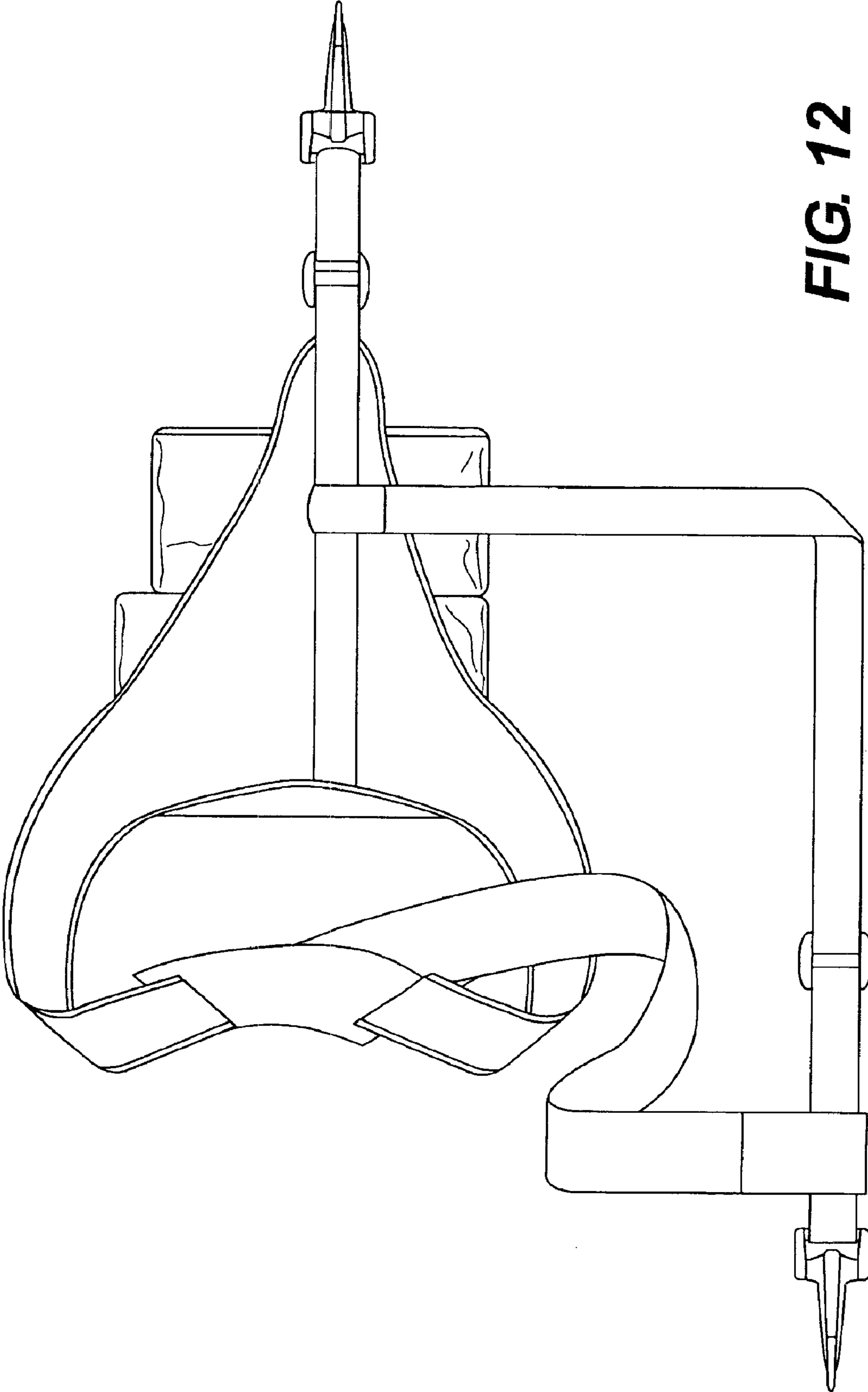


FIG. 12