

US00D529713S

(12) **United States Design Patent**
Guyot et al.

(10) **Patent No.:** **US D529,713 S**
(45) **Date of Patent:** **** Oct. 10, 2006**

(54) **HOLSTER FOR A COMMUNICATION DEVICE**

(75) Inventors: **Nicolas E. Guyot**, Pompano Beach, FL (US); **Daniel C. Acero**, Miramar, FL (US); **Michael J. Page**, Fort Lauderdale, FL (US)

(73) Assignee: **Motorola, Inc.**, Schaumburg, IL (US)

(**) Term: **14 Years**

(21) Appl. No.: **29/236,976**

(22) Filed: **Aug. 23, 2005**

(51) **LOC (8) Cl.** **03-01**

(52) **U.S. Cl.** **D3/218**

(58) **Field of Classification Search** D3/218,
D3/215; D14/253, 138, 185; 455/575.1-575.8;
379/446, 455; 224/640, 646, 940
See application file for complete search history.

(56) **References Cited**

U.S. PATENT DOCUMENTS

D497,049 S	10/2004	Lodato et al.	D3/218
D497,713 S	11/2004	Lodato et al.	D3/218
D499,544 S	12/2004	Lodato et al.	D3/218

D502,313 S	3/2005	Lodato et al.	D3/218	
D504,564 S	*	5/2005	Robertson et al.	D23/218
D508,605 S	*	8/2005	Hwang et al.	D3/218
D517,310 S	*	3/2006	Aron et al.	D3/218

* cited by examiner

Primary Examiner—Catherine R. Oliver

(74) *Attorney, Agent, or Firm*—Design IP

(57) **CLAIM**

The ornamental design for a holster for a communication device, as shown and described.

DESCRIPTION

FIG. 1 is an isometric view of an ornamental design of a holster for a communication device showing our new design;

FIG. 2 is a front orthographic view thereof;

FIG. 3 is a rear orthographic view thereof;

FIG. 4 is a right side orthographic view thereof;

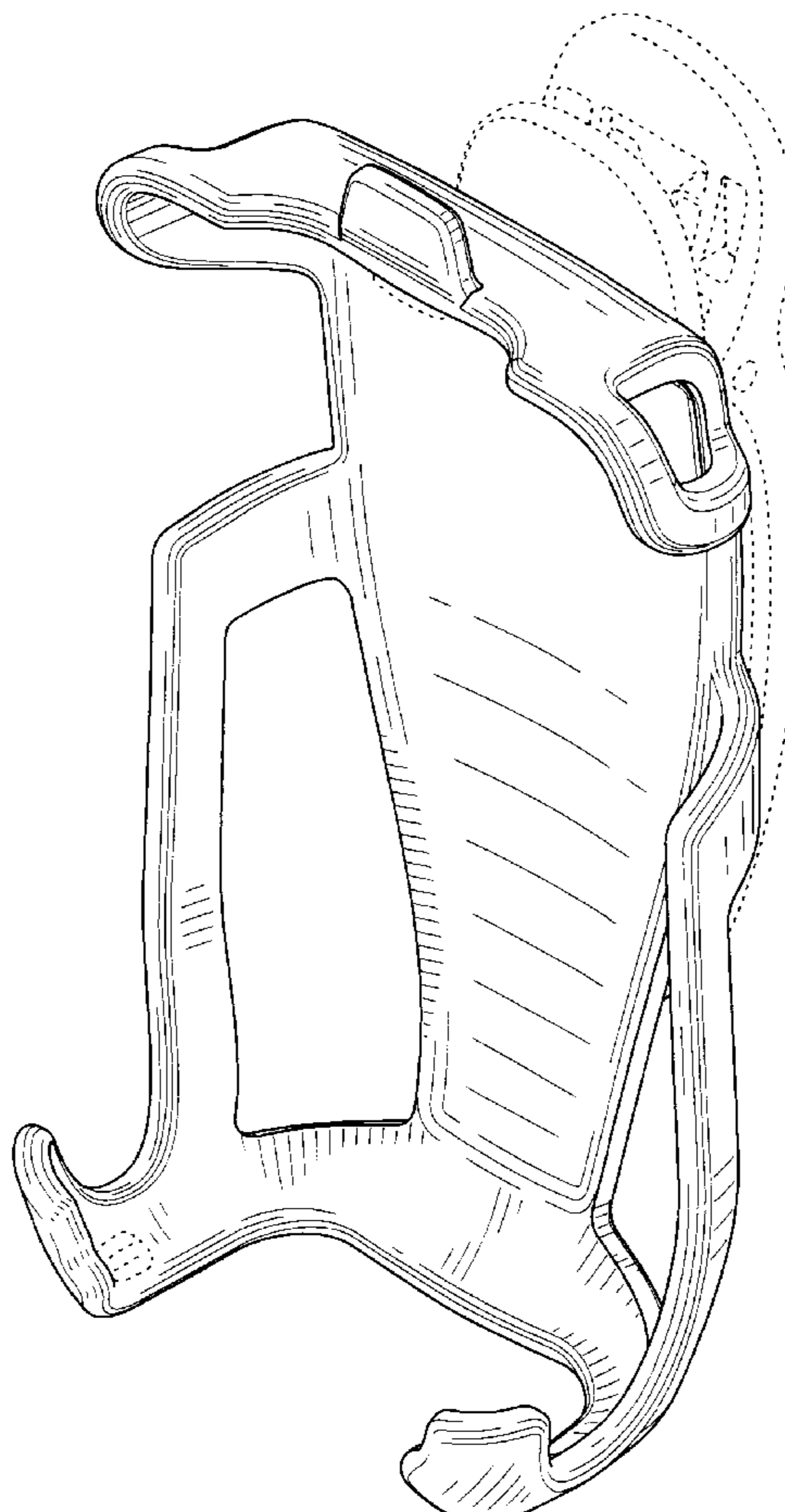
FIG. 5 is a left side orthographic view thereof;

FIG. 6 is a top orthographic view thereof; and,

FIG. 7 is a bottom orthographic view thereof.

The broken lines shown in FIGS. 1-7 are included for the purpose of illustrating environmental elements only and form no part of the claimed design.

1 Claim, 5 Drawing Sheets



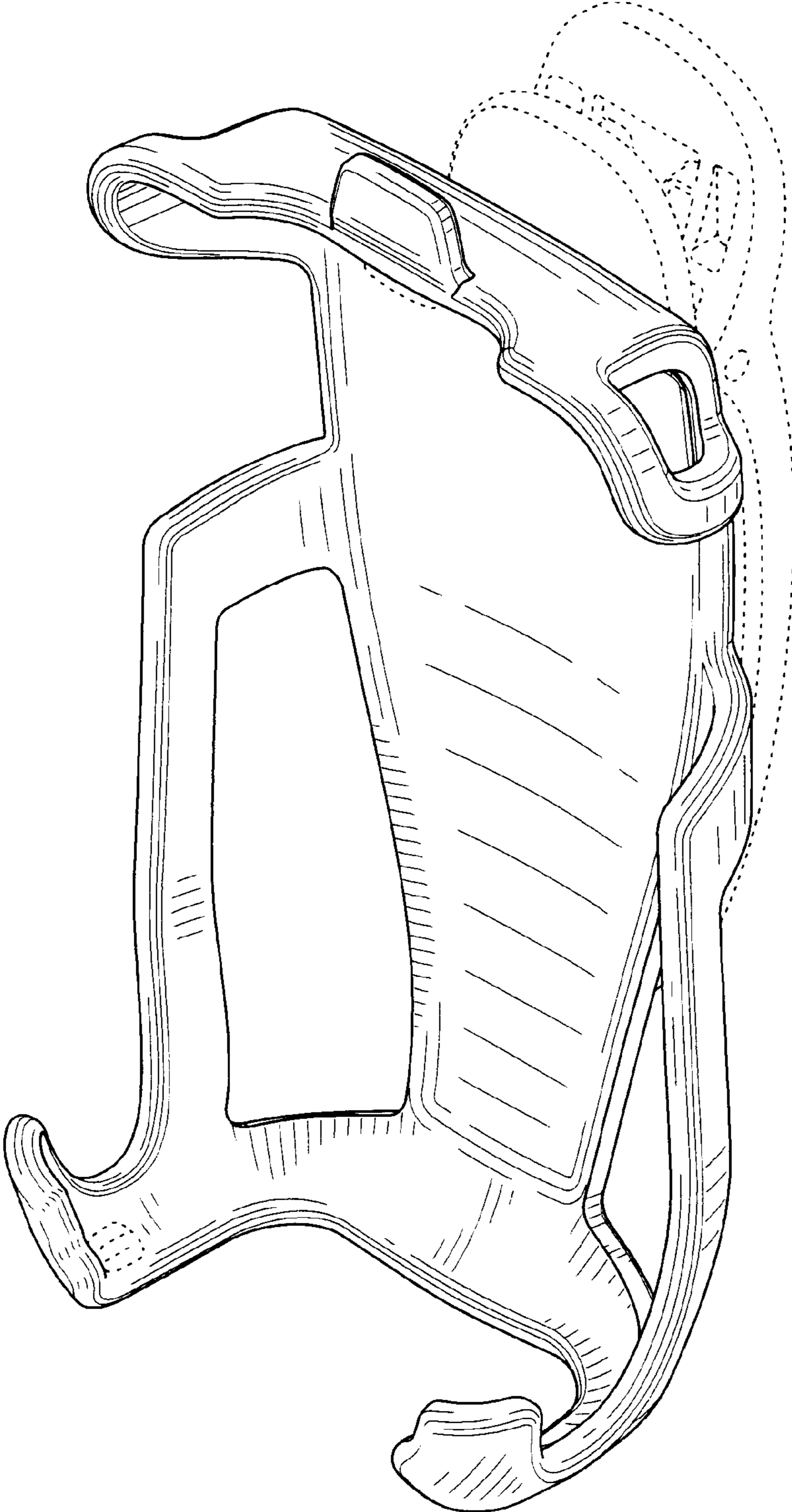


FIG. 1

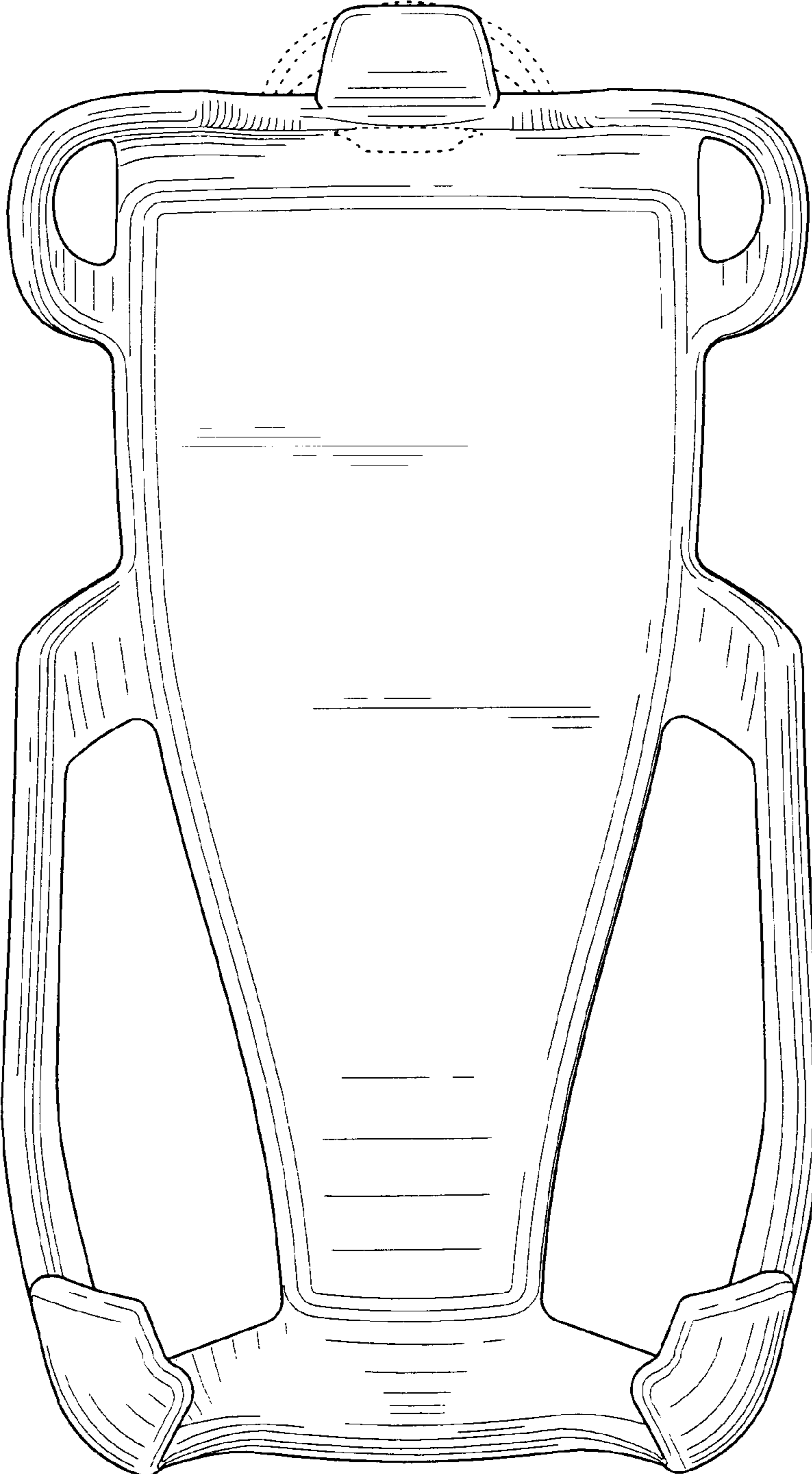


FIG. 2

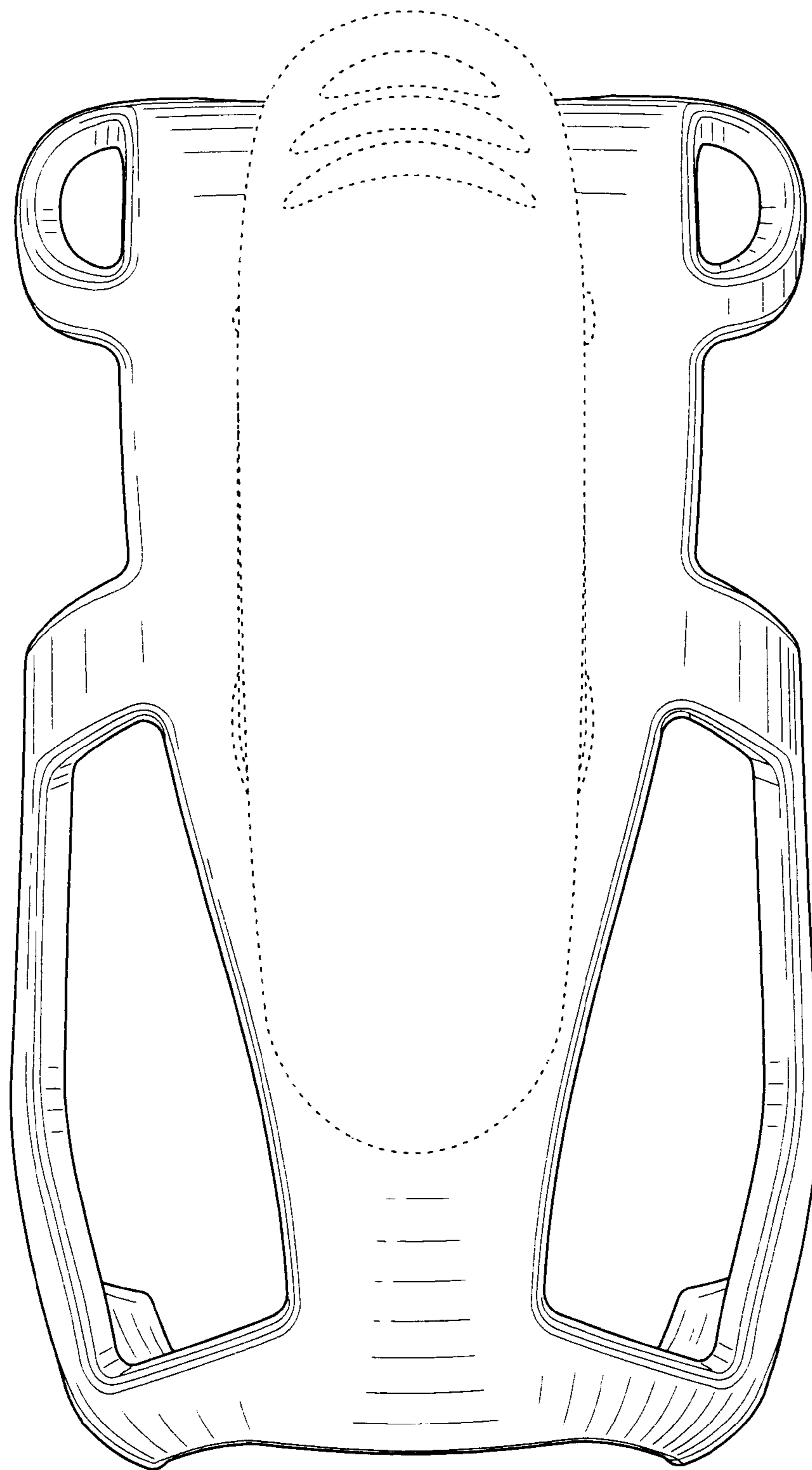


FIG. 3

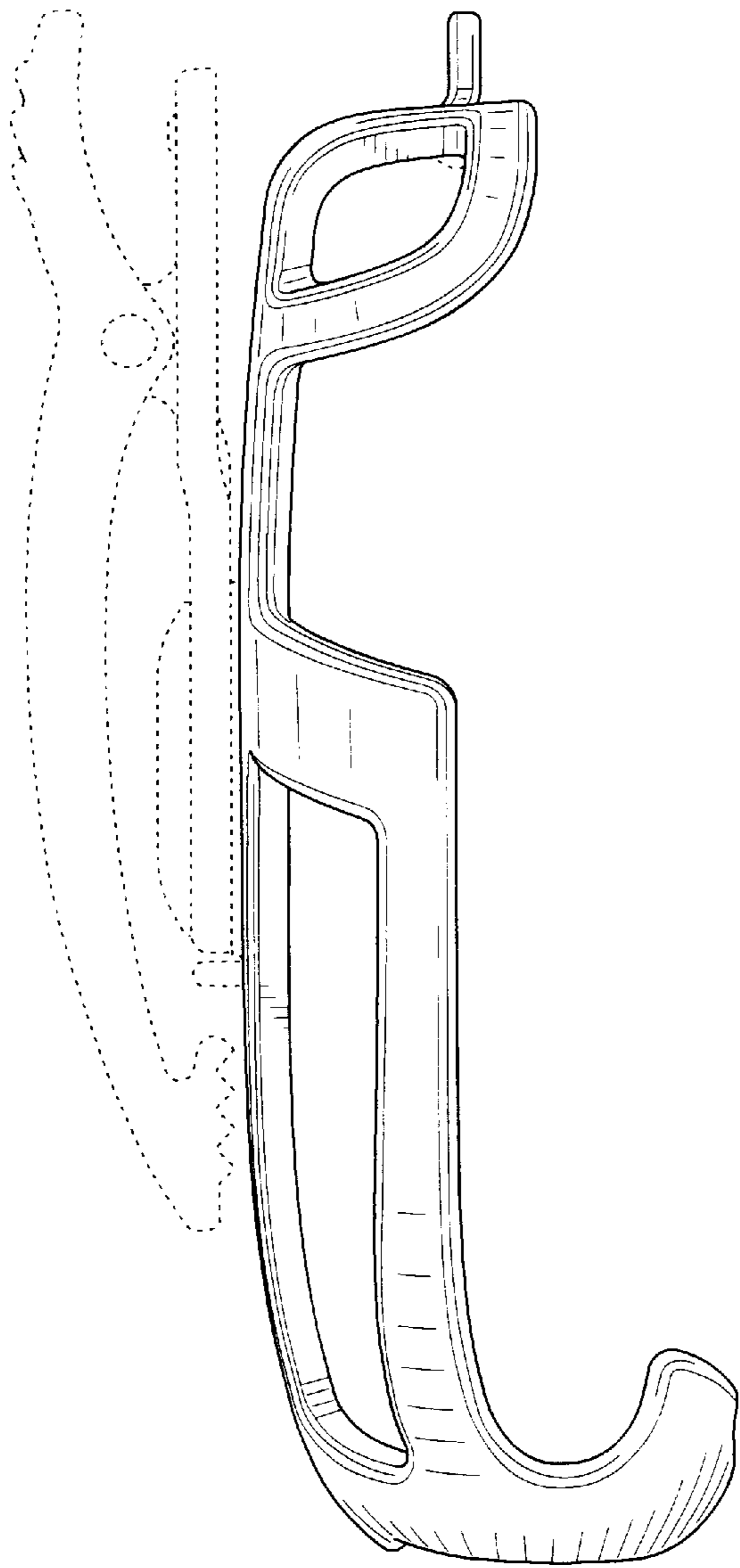


FIG. 4

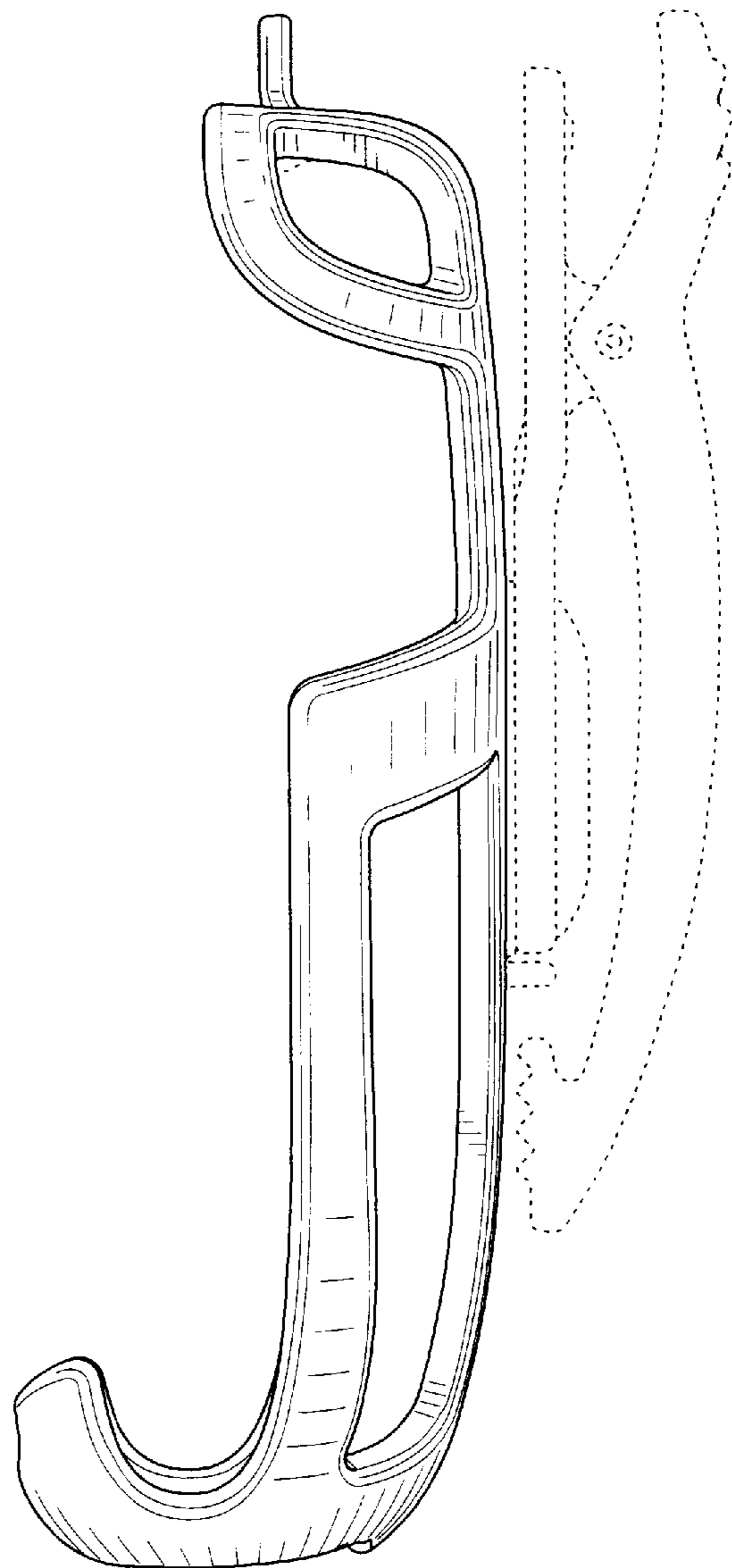


FIG. 5

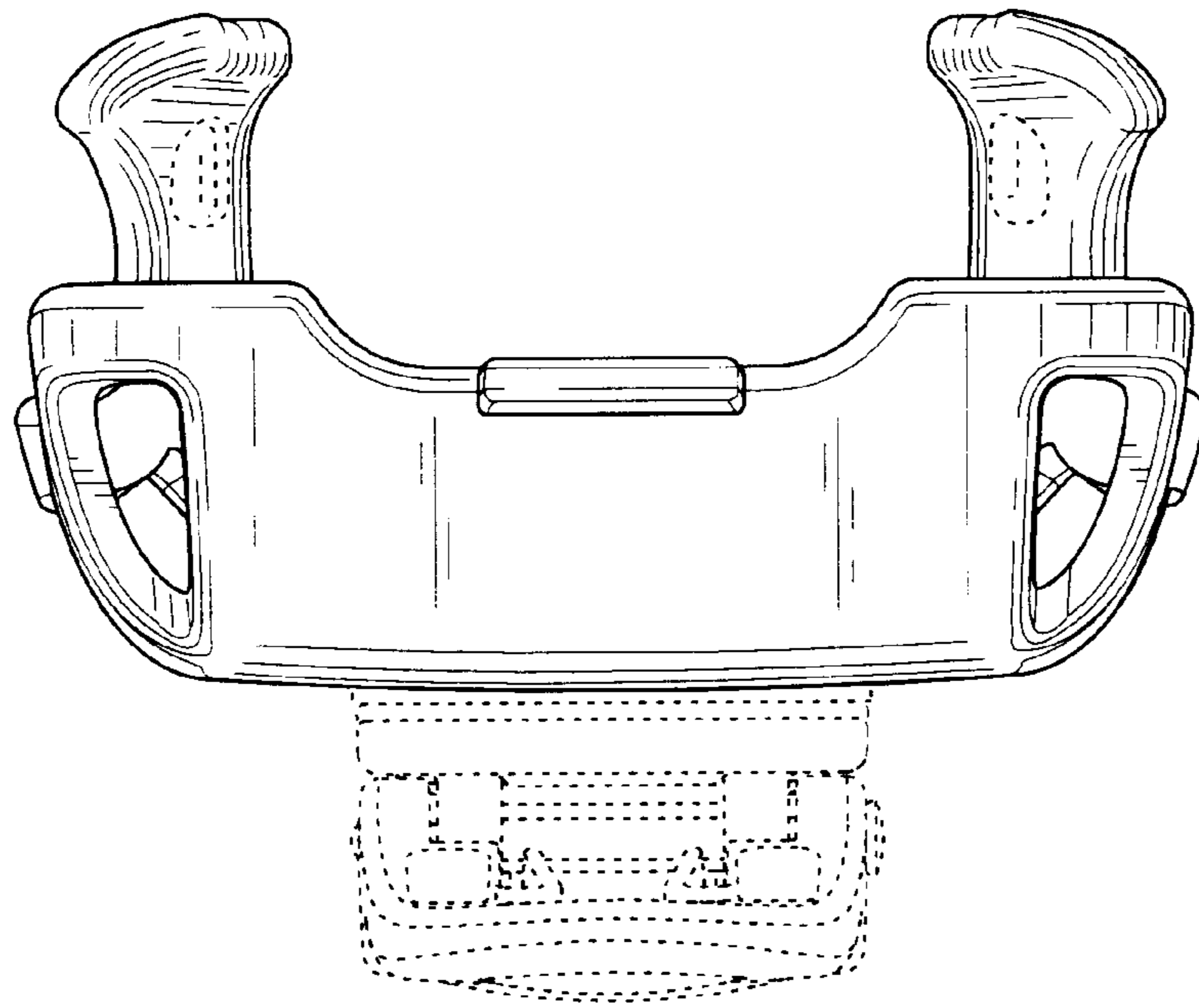


FIG. 6

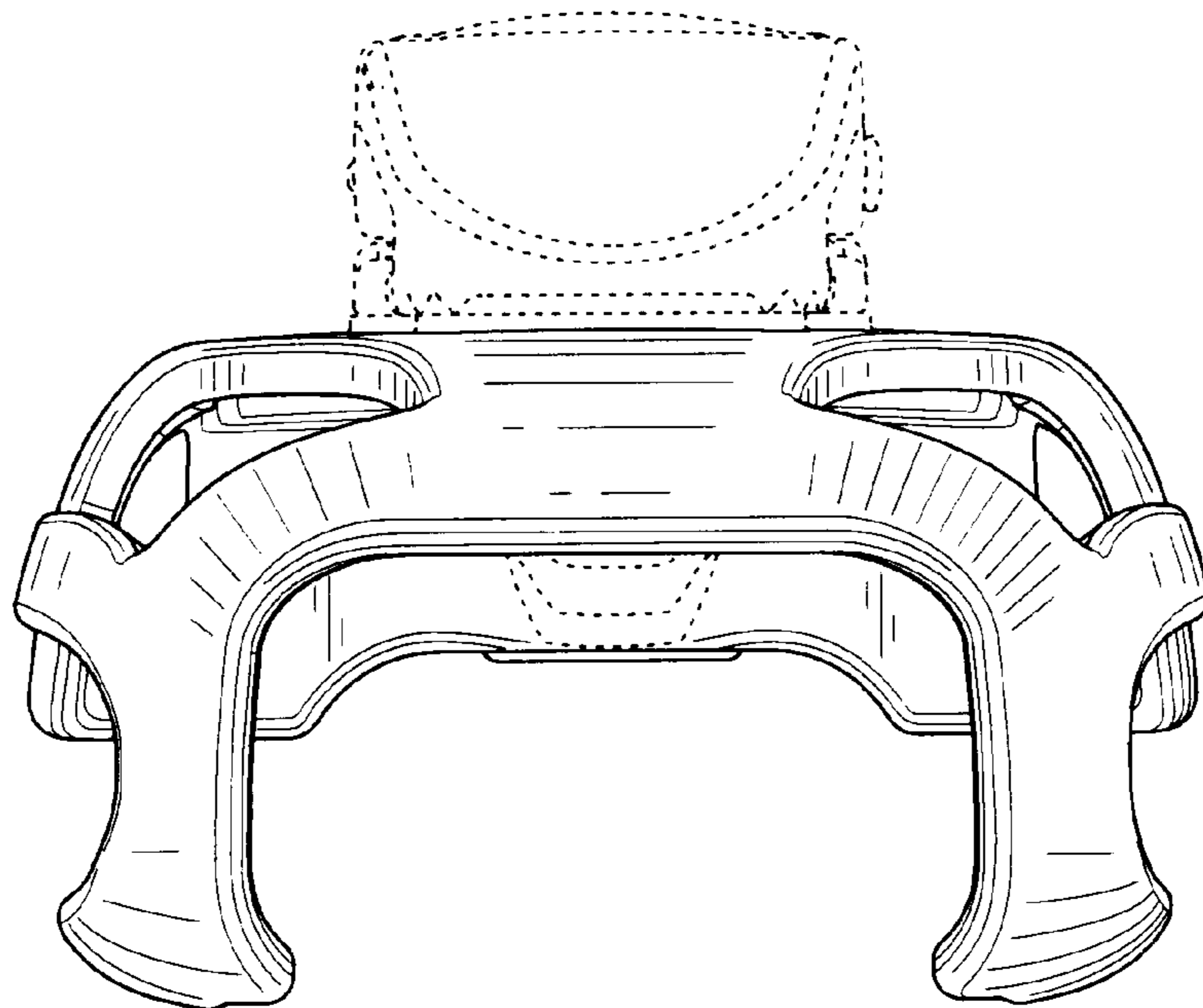


FIG. 7