



US00D529679S

(12) **United States Design Patent**  
**Meyer et al.**

(10) **Patent No.:** **US D529,679 S**

(45) **Date of Patent:** **\*\* Oct. 3, 2006**

(54) **MULTIPURPOSE BAG FOR UTILITY CARTS AND THE LIKE**

(76) Inventors: **Jerry Meyer**, 7531 Lyric La.,  
Northeast, Fridley, MN (US) 55432;  
**Janet A. Meyer**, 7531 Lyric La.,  
Northeast, Fridley, MN (US) 55432

(\*\*) **Term:** **14 Years**

(21) **Appl. No.:** **29/231,628**

(22) **Filed:** **Jun. 9, 2005**

(51) **LOC (8) Cl.** ..... **12-02**

(52) **U.S. Cl.** ..... **D34/27**

(58) **Field of Classification Search** ..... D34/12-27,  
D34/35; D19/78; D12/133; D6/426, 479,  
D6/474; 16/421; 280/47.35, 33.992

See application file for complete search history.

(56) **References Cited**

**U.S. PATENT DOCUMENTS**

2,635,797 A	4/1953	Seibert	
D209,279 S	11/1967	Cohen	
D249,190 S	* 8/1978	Stewart	..... D3/217
4,376,502 A	3/1983	Cohen	
4,911,295 A	3/1990	Venegoni	
4,984,906 A	1/1991	Little	

5,076,711 A	12/1991	Koehler, Jr.	
D330,178 S	* 10/1992	Trigger	..... D12/133
D354,849 S	* 1/1995	Herman et al.	..... D3/216
D366,903 S	* 2/1996	Baggott	..... D19/78
D383,283 S	* 9/1997	Hankins, III	..... D34/27
5,715,571 A	* 2/1998	Fasano	..... 16/436
D451,054 S	* 11/2001	Thom et al.	..... D3/307
D484,666 S	* 12/2003	Caya	..... D34/27
D490,857 S	* 6/2004	Snell	..... D19/78

\* cited by examiner

*Primary Examiner*—Freda Nunn

*Assistant Examiner*—Kevin K. Rudzinski

(57) **CLAIM**

The ornamental design for a multipurpose bag for utility carts and the like, as shown and described.

**DESCRIPTION**

FIG. 1 is a front elevational view of a multipurpose bag for utility carts and the like showing our new design;

FIG. 2 is a rear elevational view thereof;

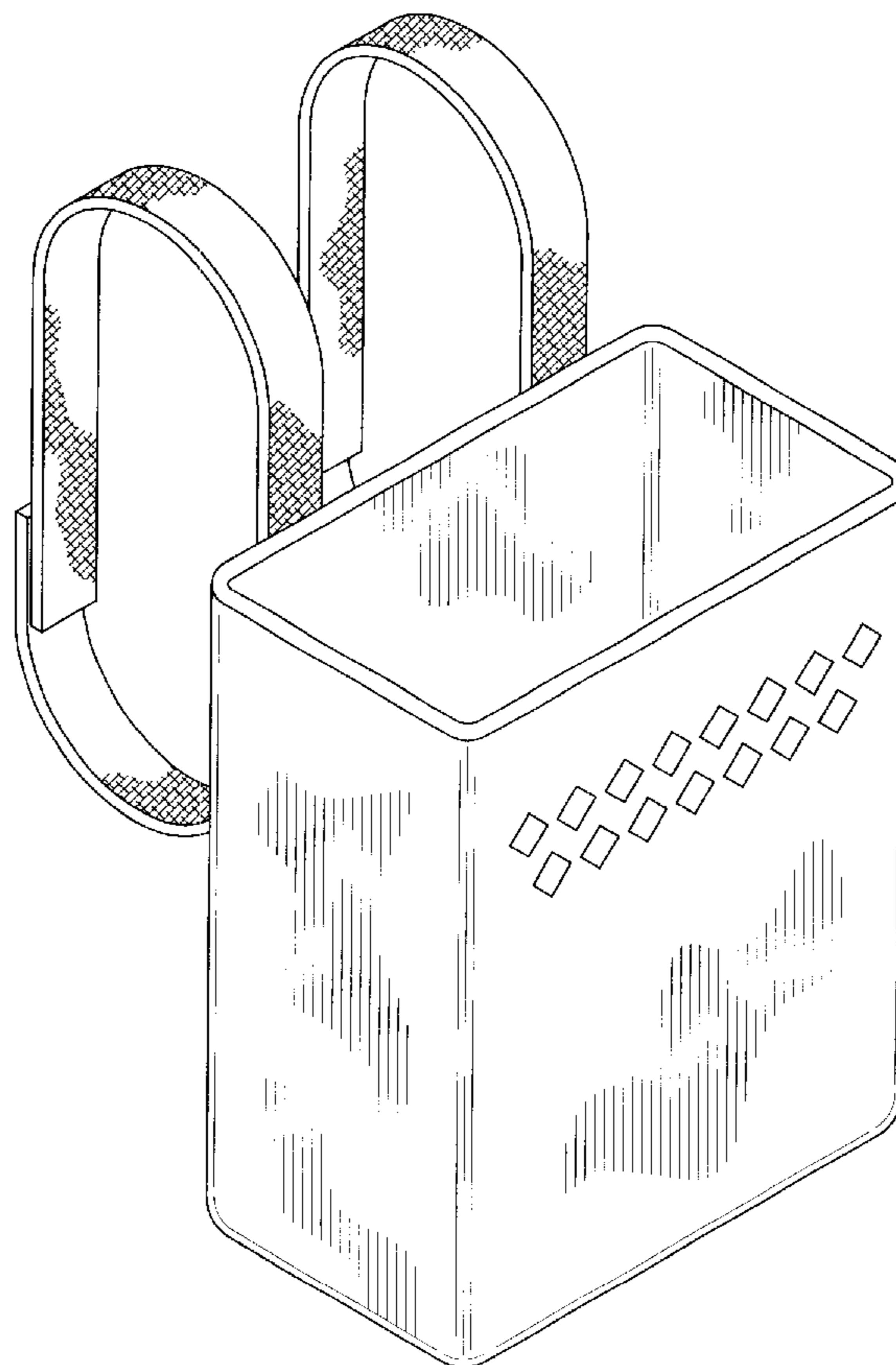
FIG. 3 is a side elevational view thereof;

FIG. 4 is a top plan view thereof;

FIG. 5 is a bottom plan view thereof; and,

FIG. 6 is a perspective view thereof.

**1 Claim, 6 Drawing Sheets**



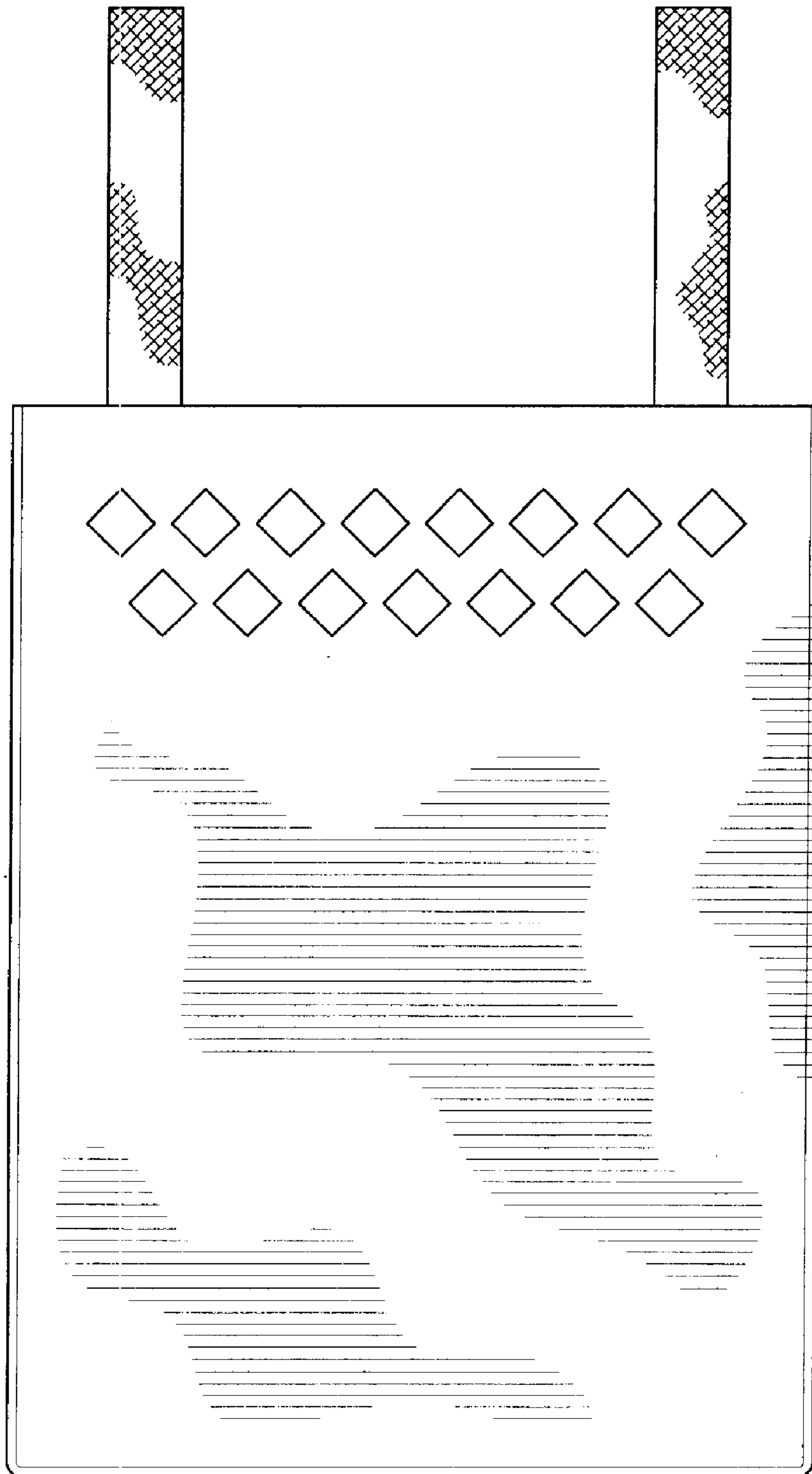


FIG. 1

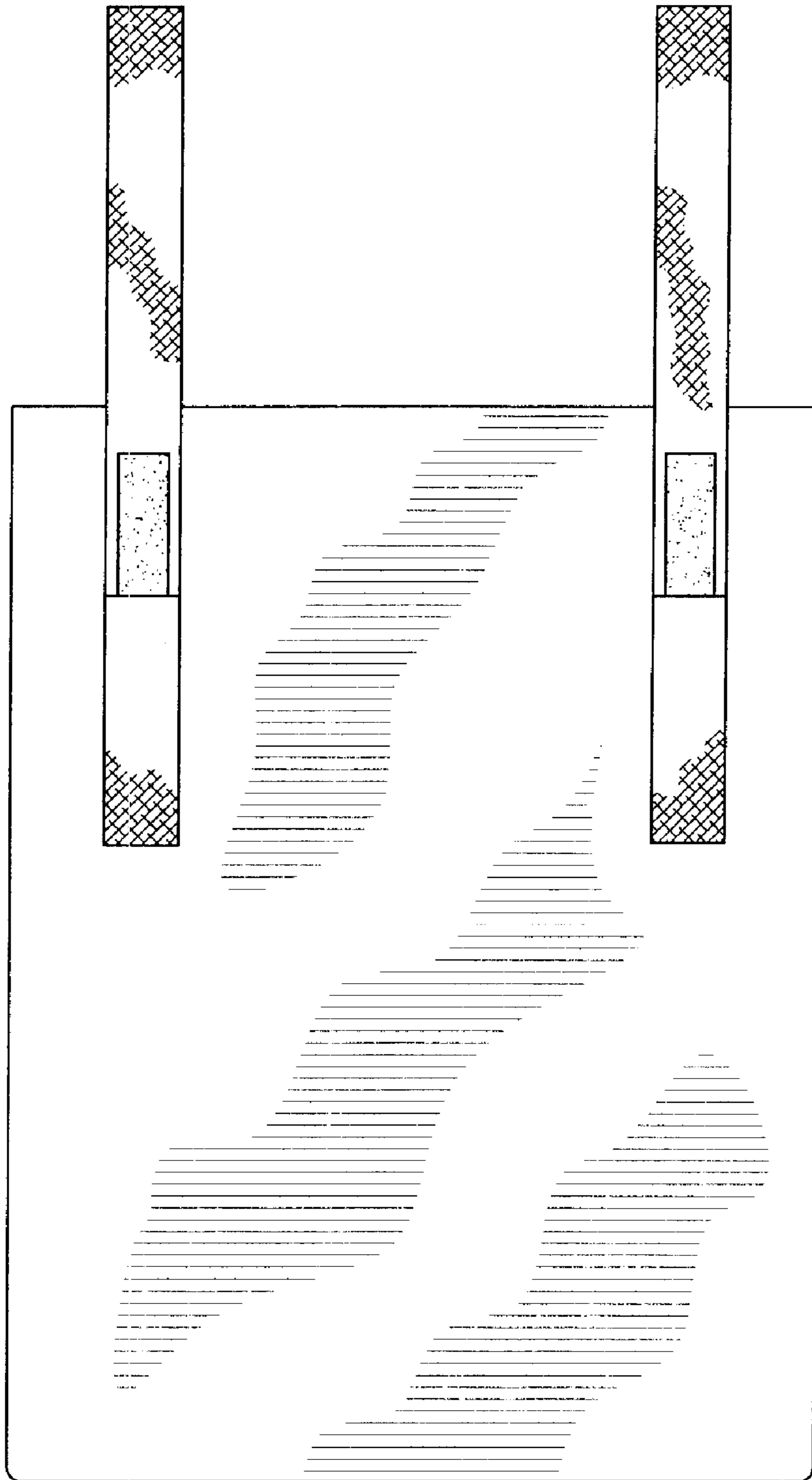


FIG.2

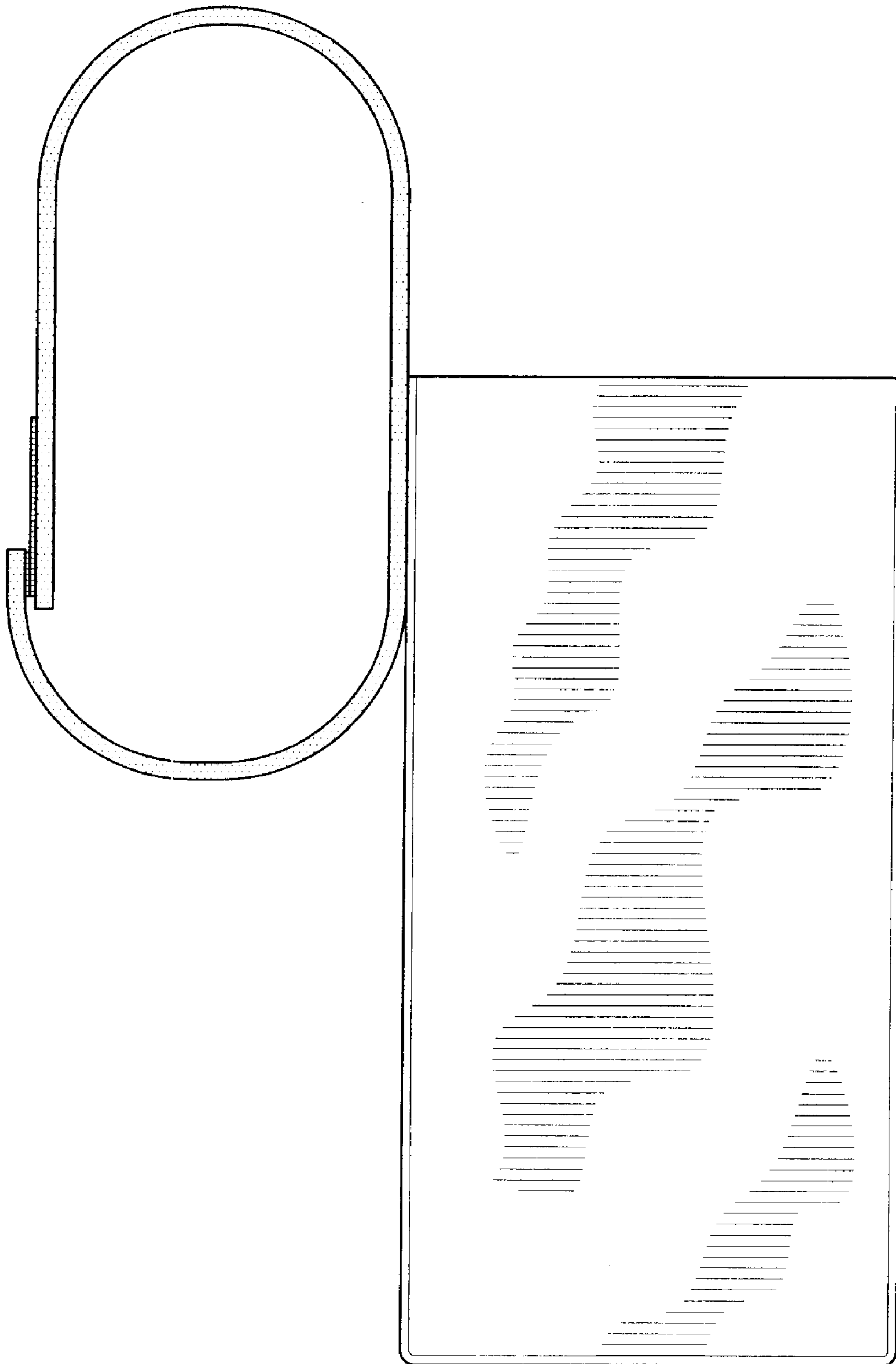


FIG.3

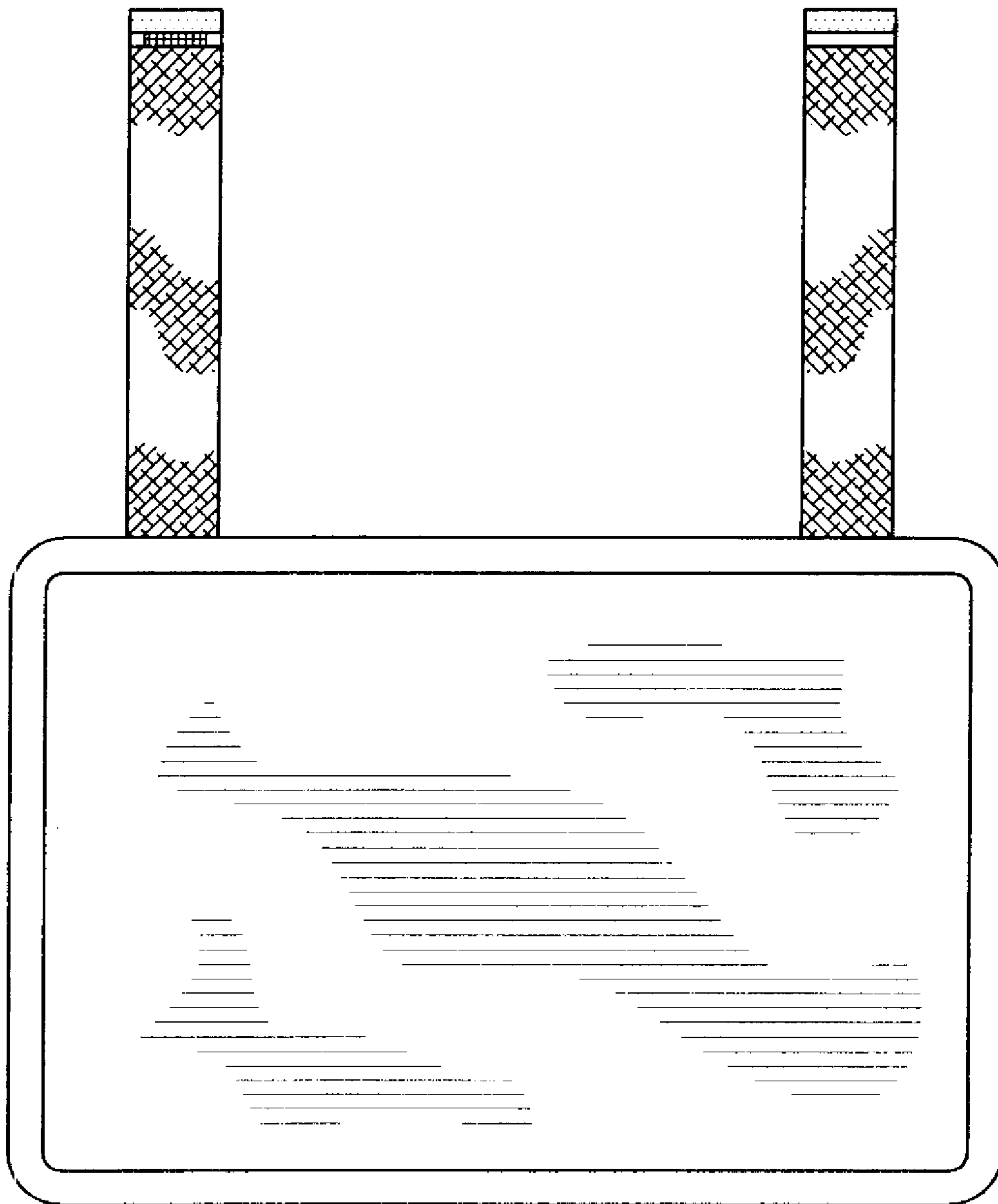


FIG. 4

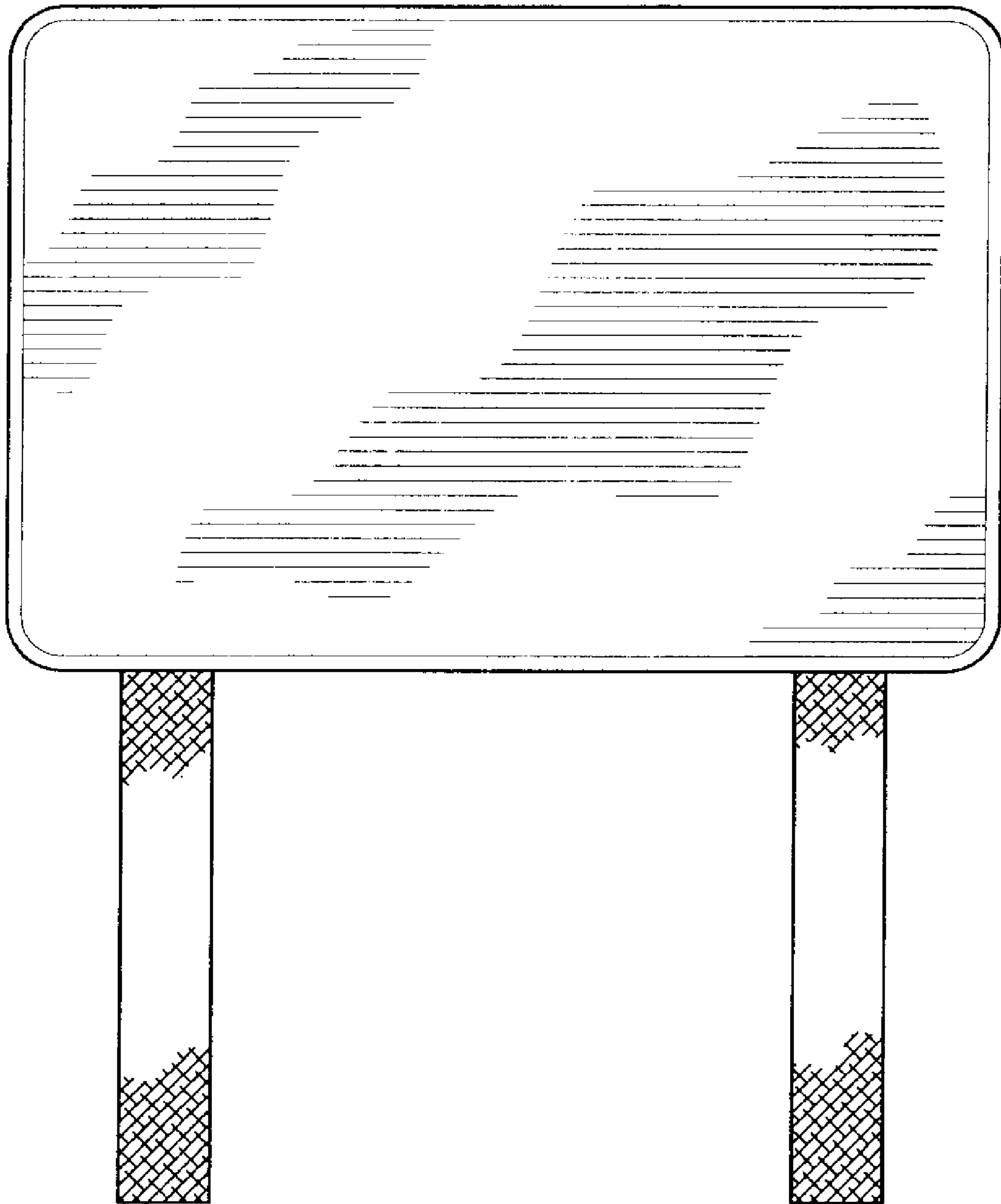


FIG.5

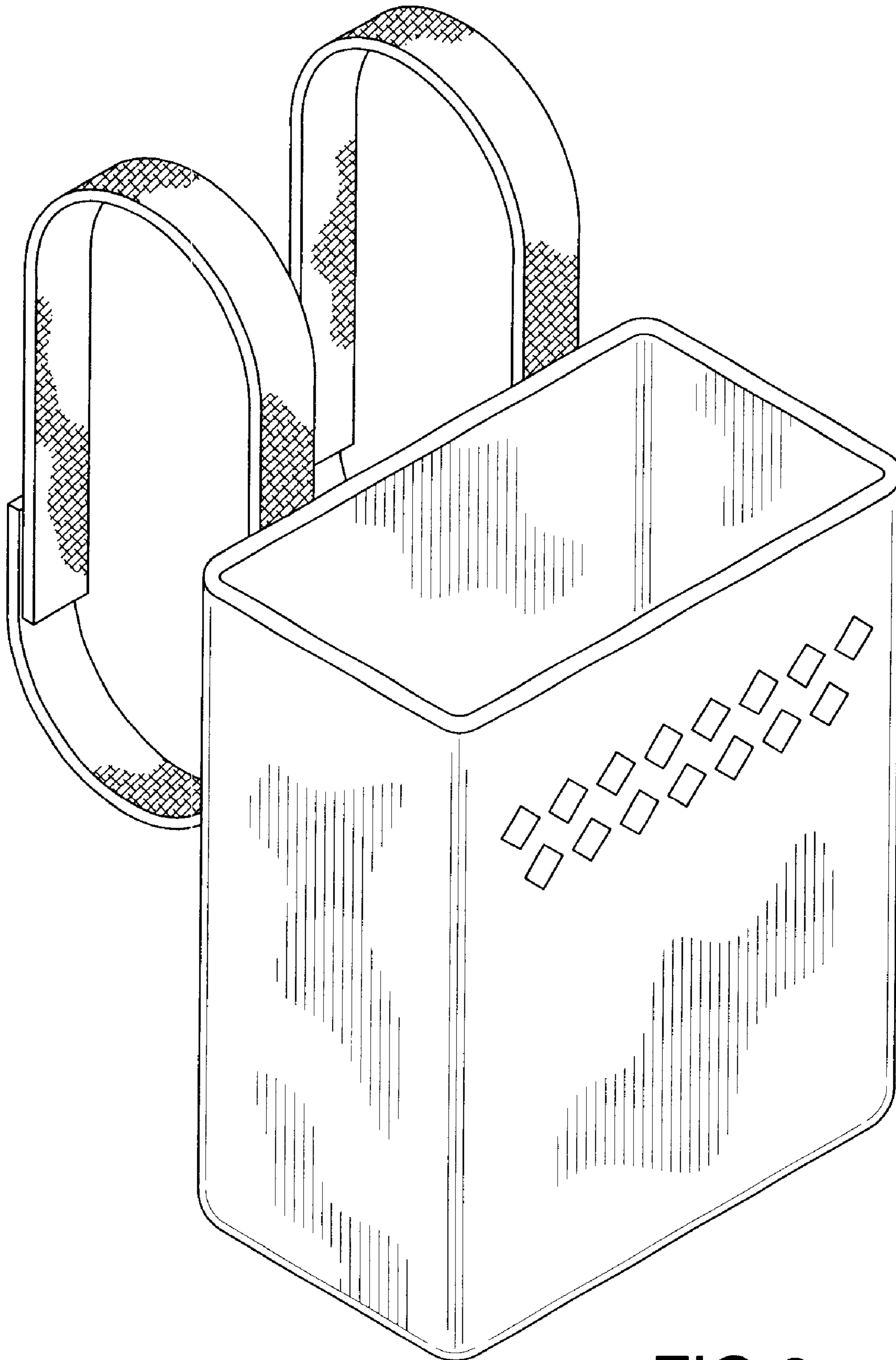


FIG.6