

US00D529678S

(12) **United States Design Patent**
Hall

(10) **Patent No.:** **US D529,678 S**

(45) **Date of Patent:** **** Oct. 3, 2006**

(54) **DISPLAY CART**

(76) **Inventor:** **Donld M. Hall**, P.O. Box 1548,
Kingston, NY (US) 12402

(**) **Term:** **14 Years**

(21) **Appl. No.:** **29/229,856**

(22) **Filed:** **May 13, 2005**

(51) **LOC (8) Cl.** **12-02**

(52) **U.S. Cl.** **D34/27**

(58) **Field of Classification Search** D34/12-27,
D34/35; D19/78; D12/133; D6/426, 479,
D6/474; 16/421; 280/47.35, 33.992

See application file for complete search history.

(56) **References Cited**

U.S. PATENT DOCUMENTS

D180,001 S	*	4/1957	Wilson	D6/474
D267,690 S	*	1/1983	Verdesca	D6/426
D294,440 S	*	3/1988	Werner	D6/422
D304,112 S	*	10/1989	Bettess	D34/21
D315,261 S	*	3/1991	Ng et al.	D6/426
D318,584 S	*	7/1991	Rousso	D6/479
D334,181 S	*	3/1993	Starkey et al.	D14/306
D343,309 S	*	1/1994	vonBatsch	D6/467
D383,336 S	*	9/1997	Van Der Merwe et al.	..	D6/474

D386,869 S	*	11/1997	Dormon et al.	D34/21
D428,279 S	*	7/2000	Olson	D6/426
D436,268 S	*	1/2001	Ko	D6/484
D517,350 S	*	3/2006	Sexton	D6/479

* cited by examiner

Primary Examiner—Freda Nunn

Assistant Examiner—Kevin K. Rudzinski

(74) *Attorney, Agent, or Firm*—Shlesinger, Arkwright & Garvey LLP

(57) **CLAIM**

The ornamental design for a display cart, as shown and described.

DESCRIPTION

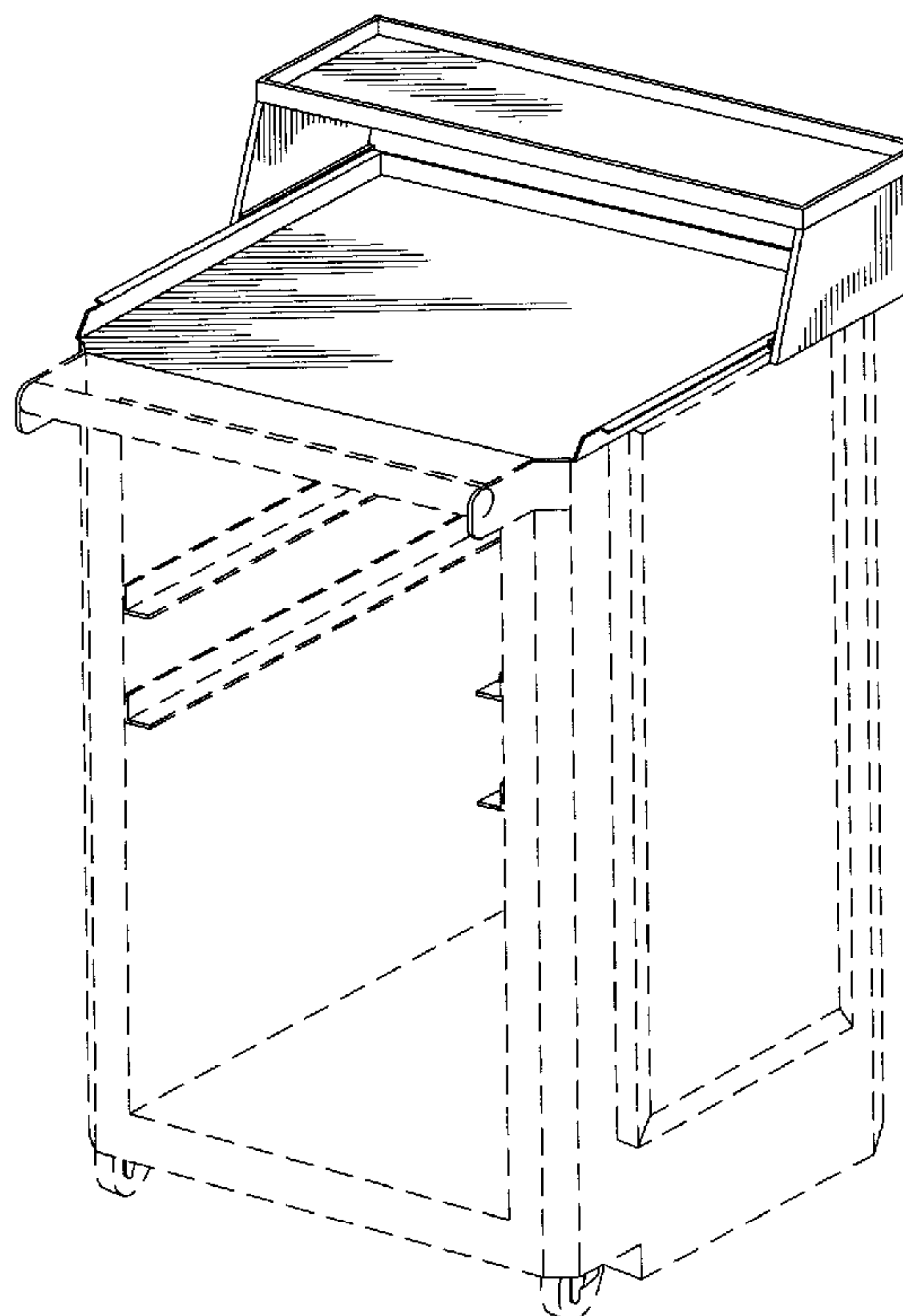
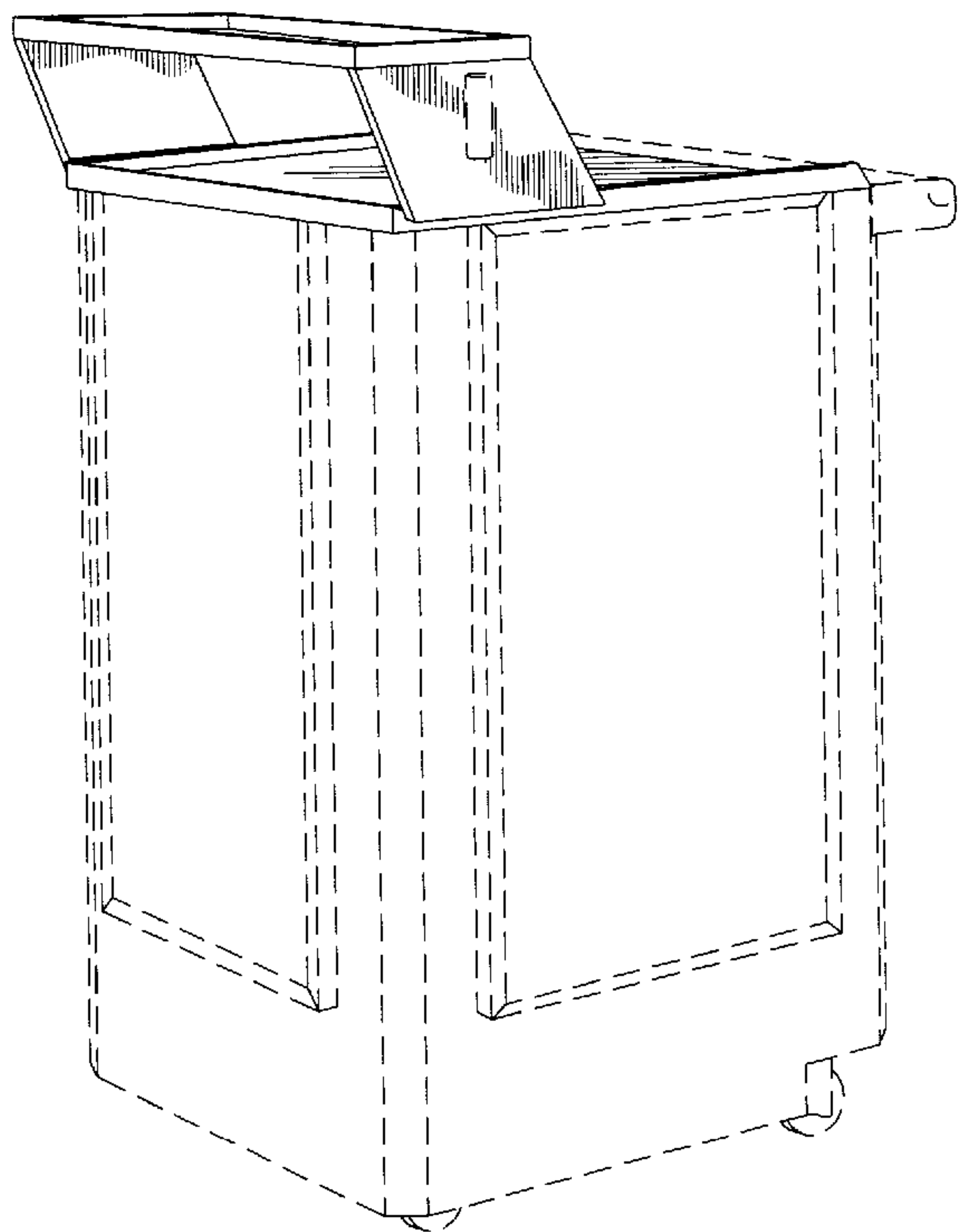
FIG. 1 is a rear perspective view of the display cart, showing my new design;

FIG. 2 is a front perspective view of the display cart of FIG. 1;

FIG. 3 is a left side view of the display cart of FIG. 1; and, FIG. 4 is a further rear perspective view of the display cart of FIG. 1 showing a portion of the display cart in a moved position.

The phantom lines shown do not form a part of the claimed design.

1 Claim, 2 Drawing Sheets



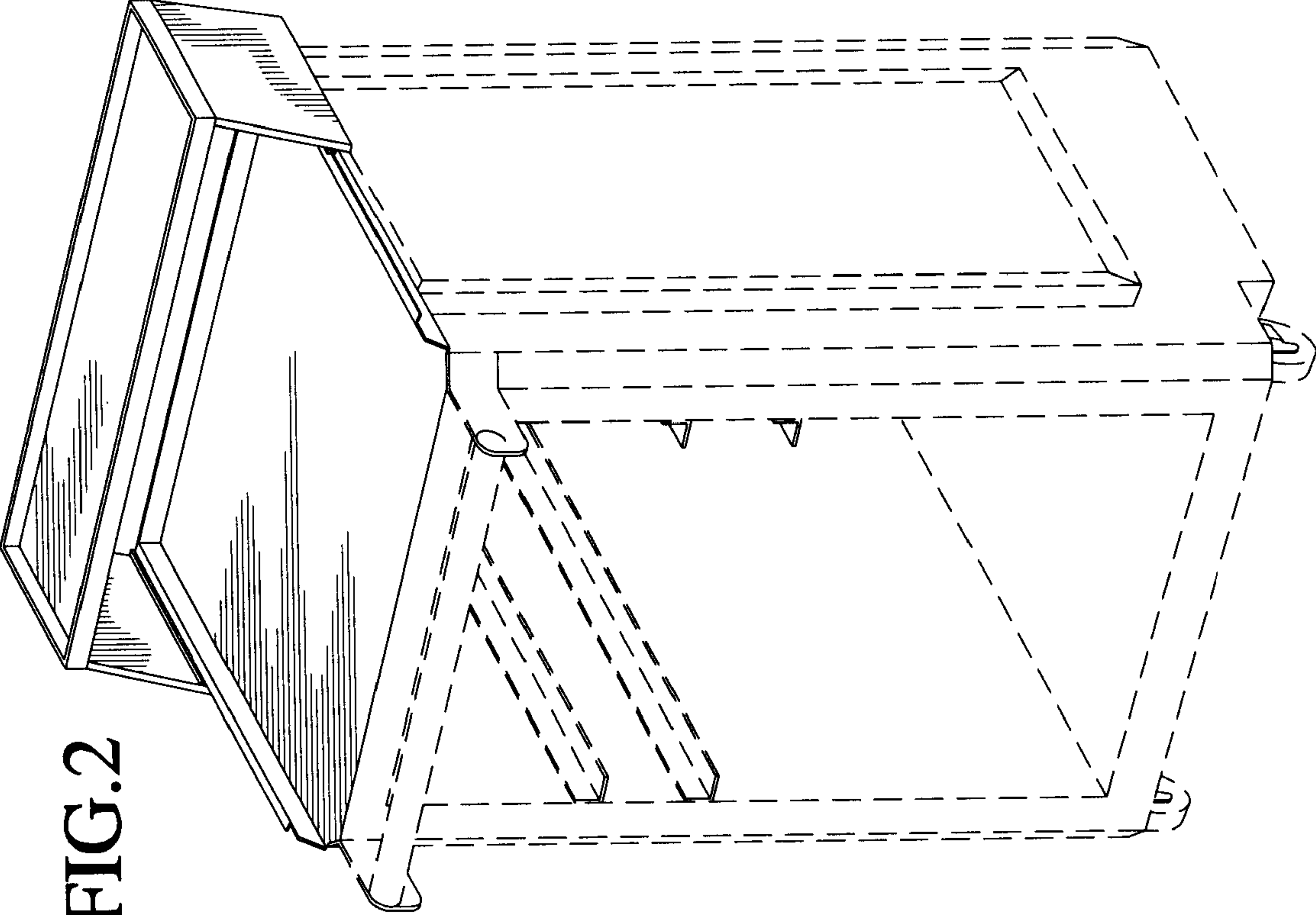


FIG. 2

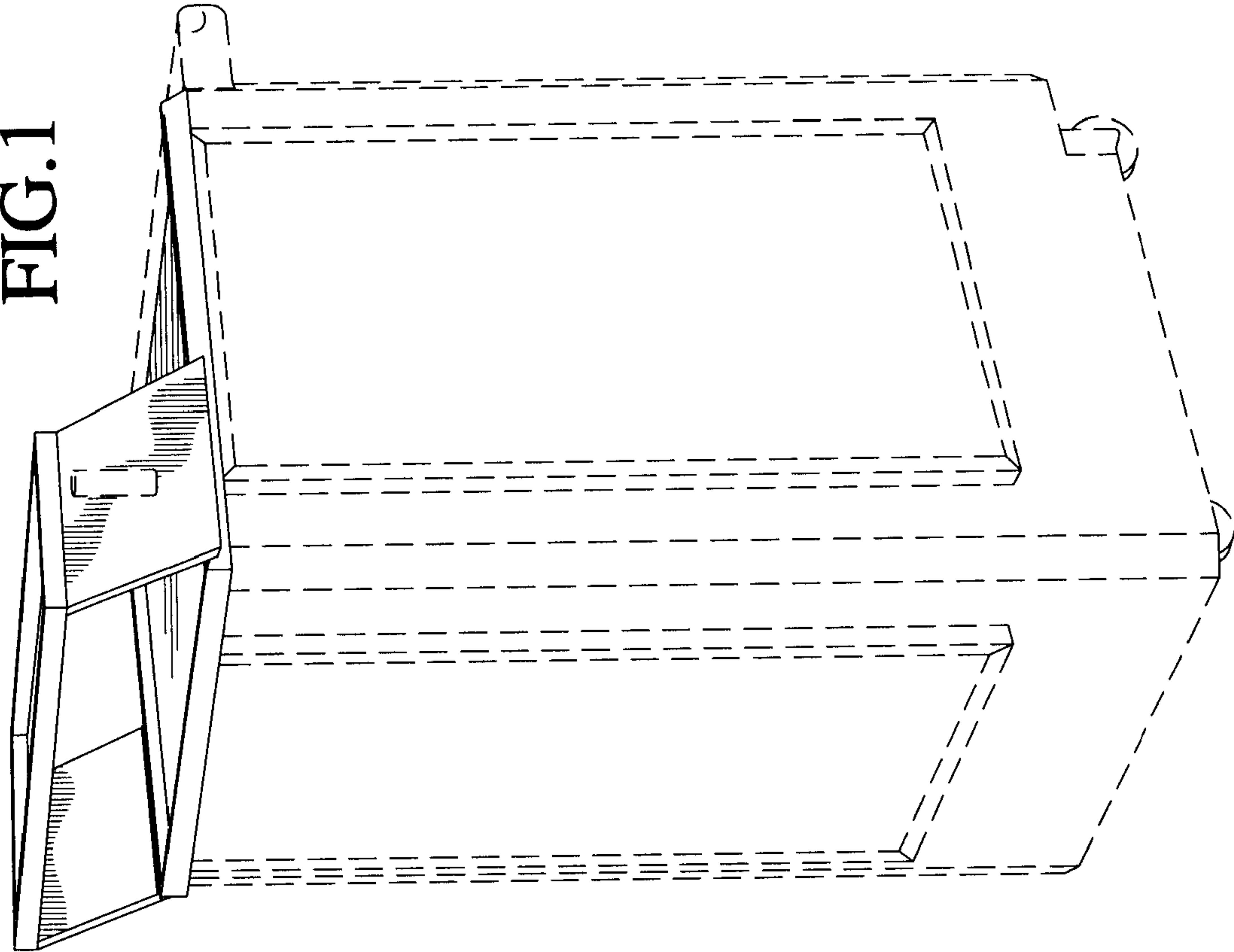


FIG. 1

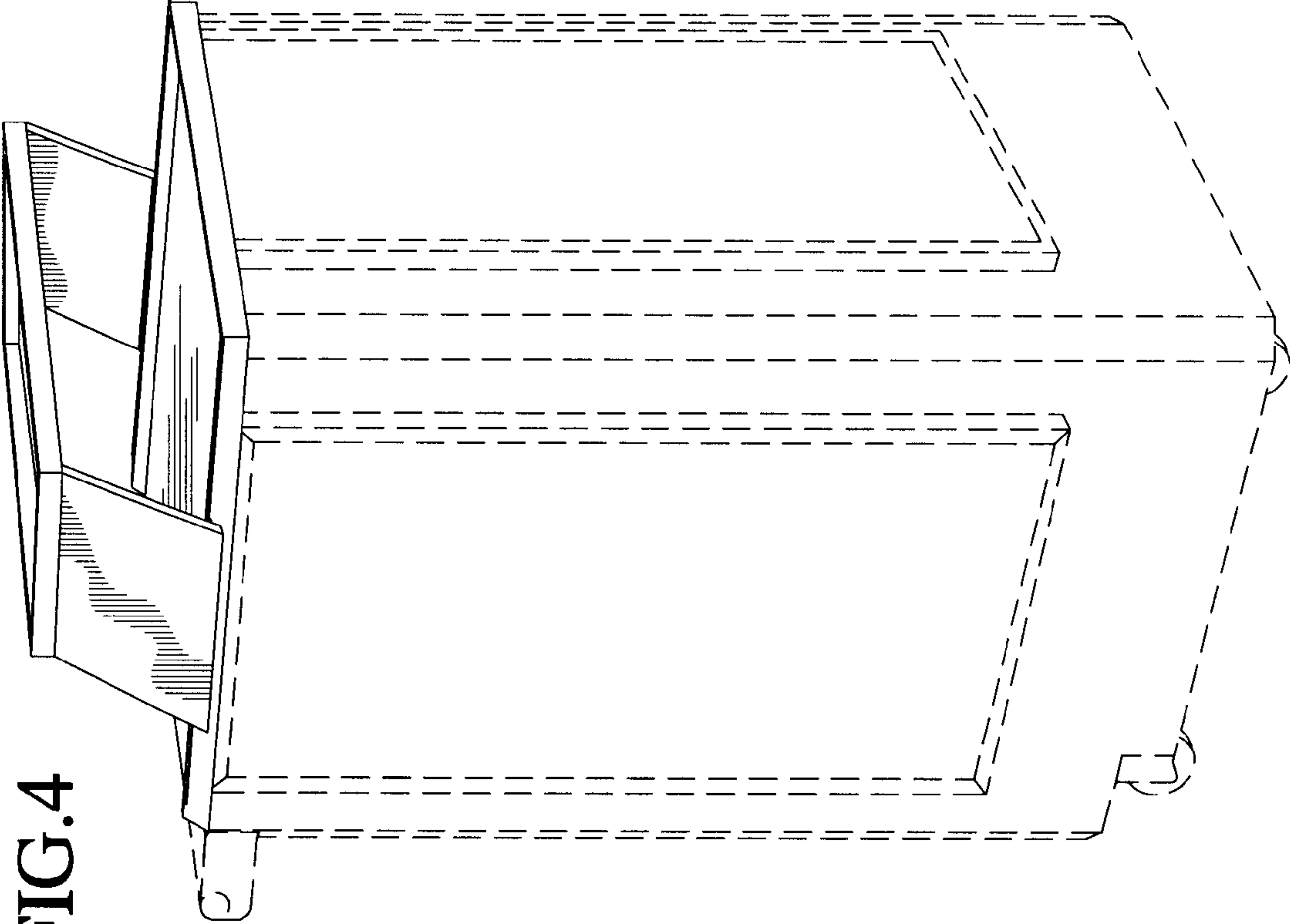


FIG. 4

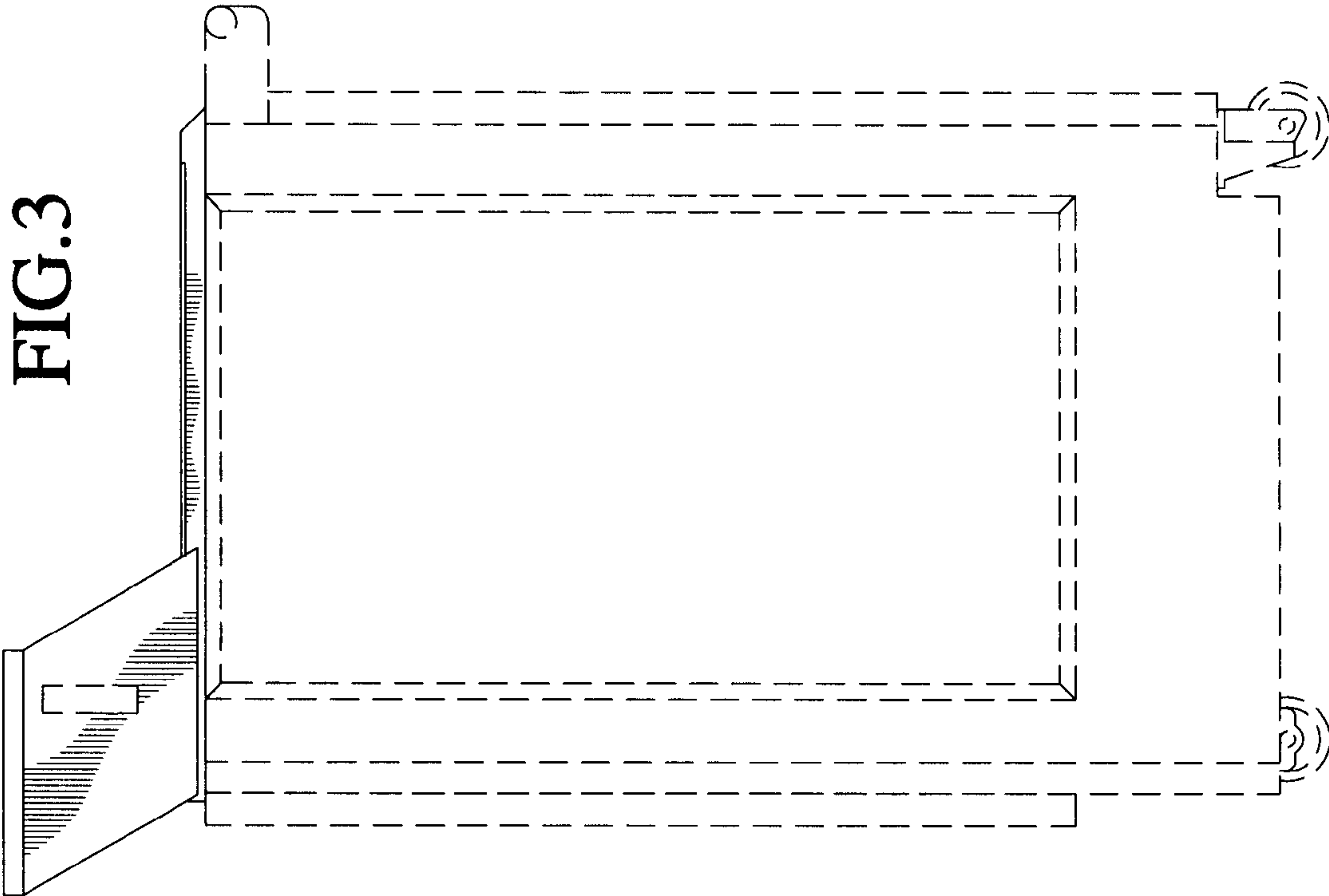


FIG. 3