



US00D529674S

(12) **United States Design Patent**  
**Dyson et al.**

(10) **Patent No.:** **US D529,674 S**  
(45) **Date of Patent:** **\*\* Oct. 3, 2006**

(54) **HANDLE FOR A SURFACE-TREATING APPLIANCE**

(75) Inventors: **James Dyson**, Dodington (GB);  
**Alexander Stuart Knox**, Wiltshire (GB);  
**Stuart Lloyd Genn**, Wiltshire (GB)

(73) Assignee: **Dyson Limited**, Wiltshire (GB)

(\*\*) Term: **14 Years**

(21) Appl. No.: **29/240,145**

(22) Filed: **Oct. 11, 2005**

(51) **LOC (8) Cl.** ..... **15-05**

(52) **U.S. Cl.** ..... **D32/34**

(58) **Field of Classification Search** ..... D32/21,  
D32/22-23, 31, 34; 15/320-321, 327.1, 327.2,  
15/323, 329, 334-335, 347, 350, 351, 353,  
15/361, 410-411, DIG. 10; 55/346, DIG. 3,  
55/459.1, 337, 429; 95/271

See application file for complete search history.

(56) **References Cited**

**U.S. PATENT DOCUMENTS**

4,720,890 A \* 1/1988 Jacob ..... 15/323  
D315,043 S \* 2/1991 Hayden ..... D32/34

D333,023 S \* 2/1993 Herron, Jr. .... D32/34  
D334,447 S \* 3/1993 Rohn ..... D32/34  
D406,422 S \* 3/1999 Burchard et al. .... D32/34  
D426,038 S \* 5/2000 Essex et al. .... D32/34  
D428,677 S \* 7/2000 Saunders et al. .... D32/34  
D430,369 S \* 8/2000 Medema et al. .... D32/34  
6,526,623 B1 \* 3/2003 Dyson ..... 15/334  
7,000,288 B1 \* 2/2006 Nighy ..... 15/327.1

\* cited by examiner

*Primary Examiner*—Ruth McInroy

(74) *Attorney, Agent, or Firm*—Morrison & Foerster LLP

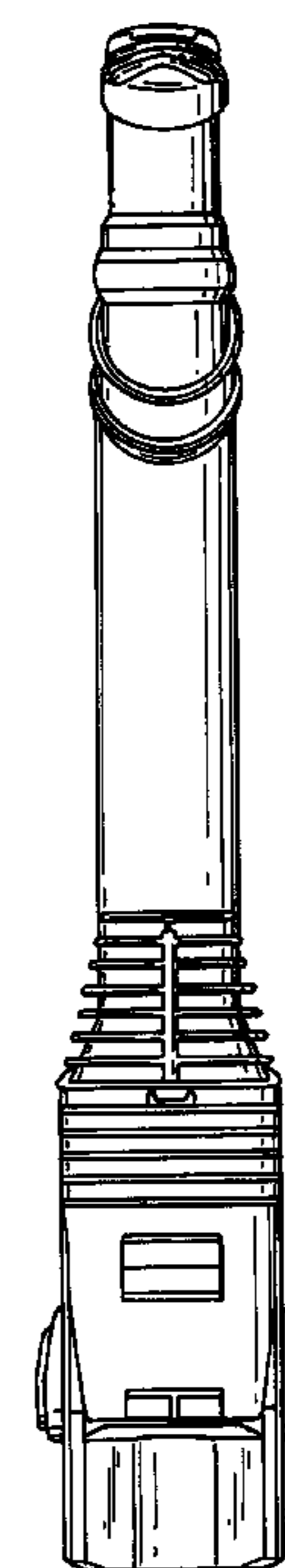
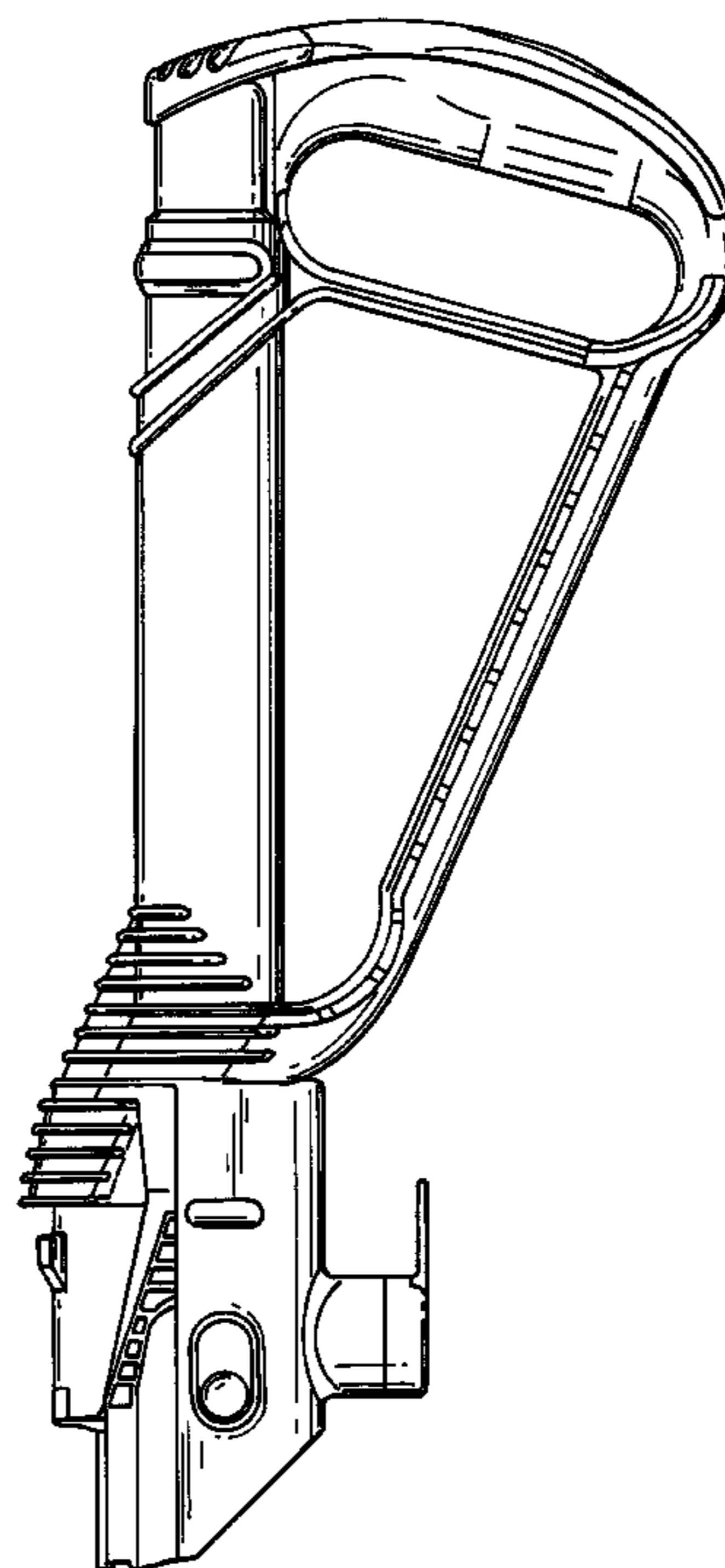
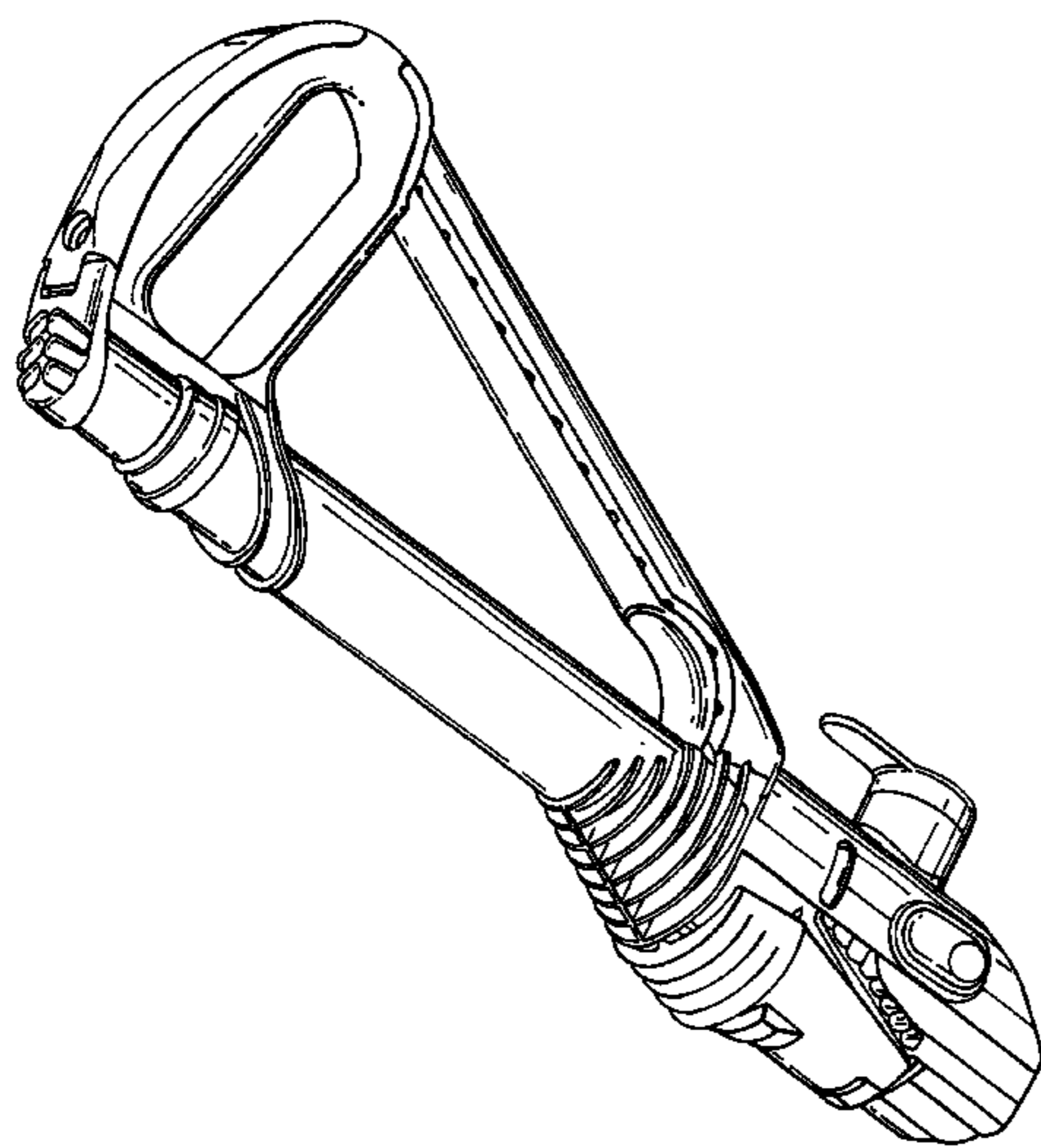
(57) **CLAIM**

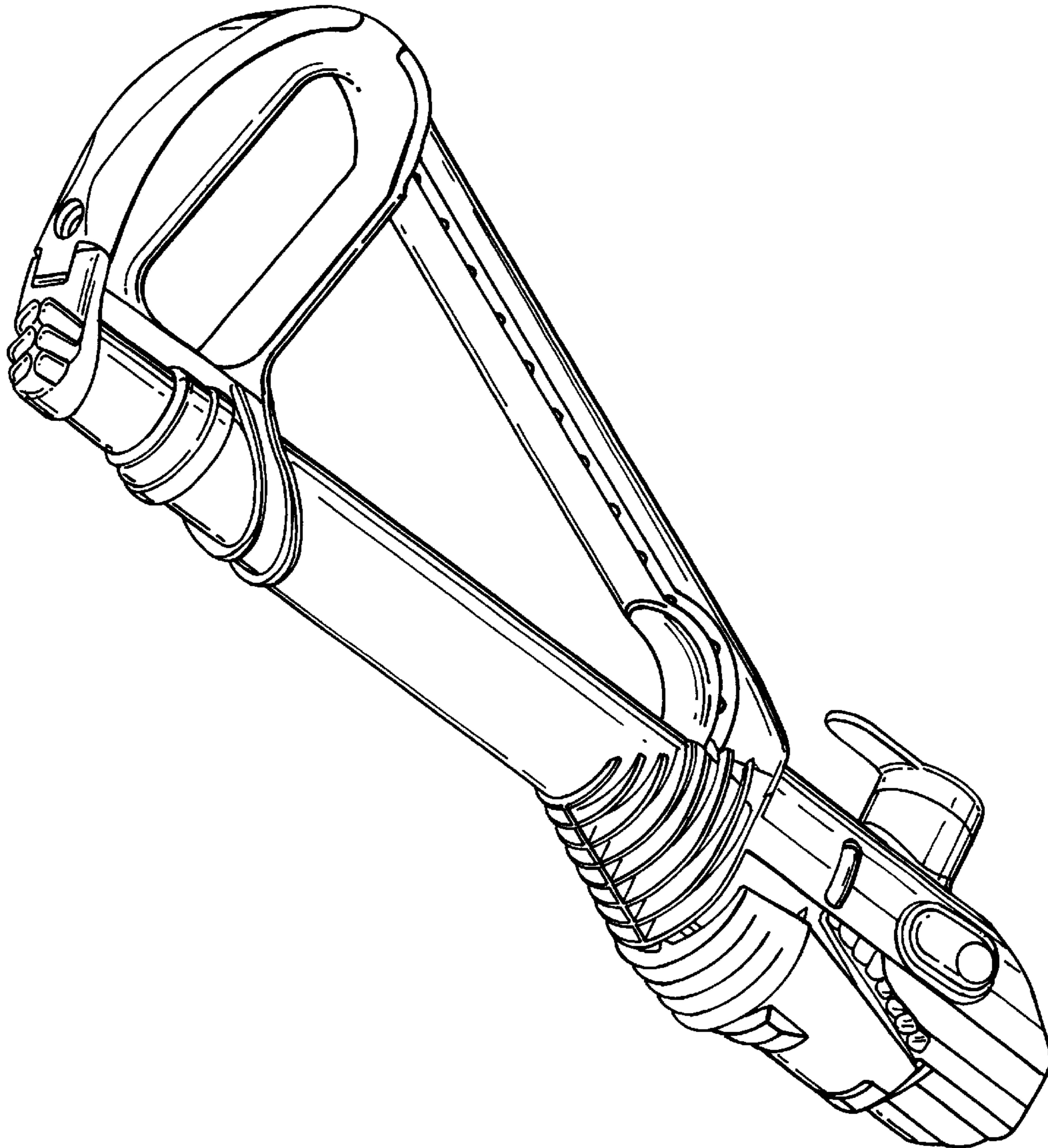
We claim the ornamental design for a handle for a surface-treating appliance, as shown and described.

**DESCRIPTION**

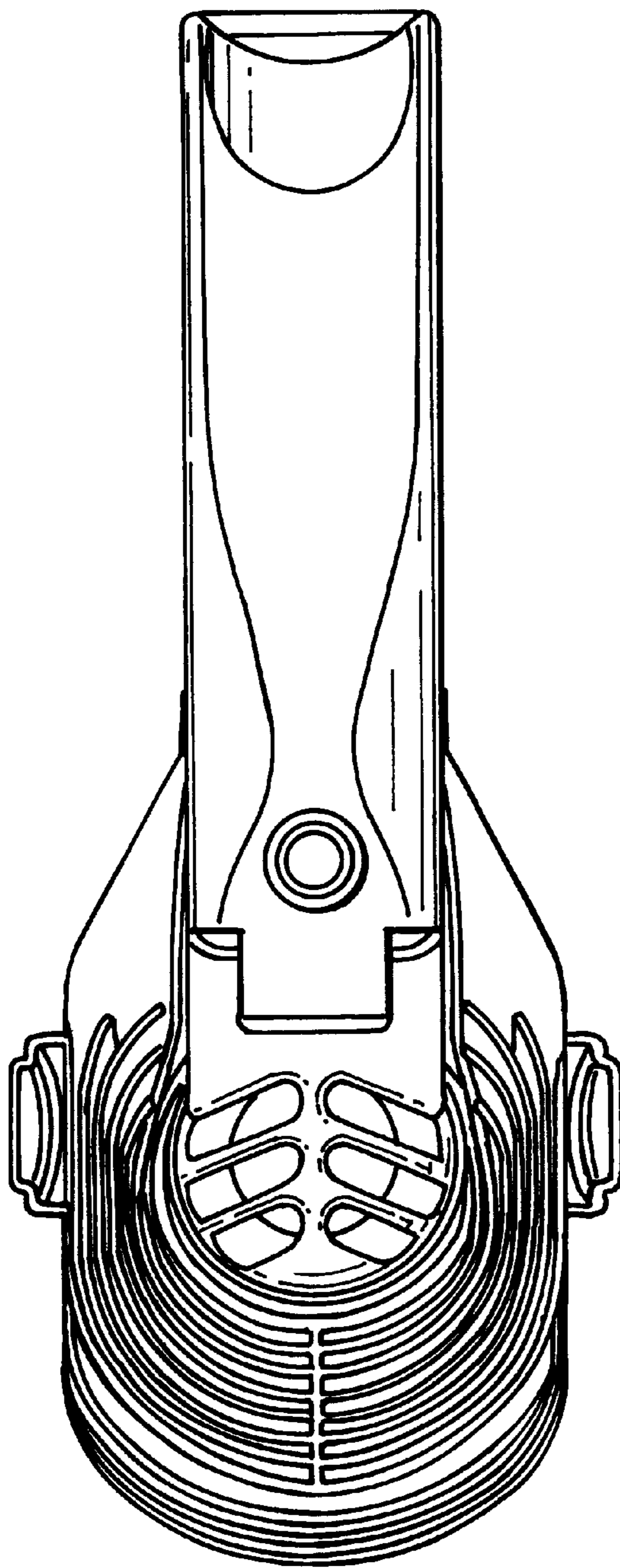
FIG. 1 is a front and side perspective view of a handle for a surface-treating appliance showing our new design; FIG. 2 is an enlarged top view thereof; FIG. 3 is an enlarged bottom view thereof; FIG. 4 is a side view thereof; FIG. 5 is a view of the opposite side of FIG. 4; FIG. 6 is a front view thereof; and, FIG. 7 is a rear view thereof.

**1 Claim, 7 Drawing Sheets**

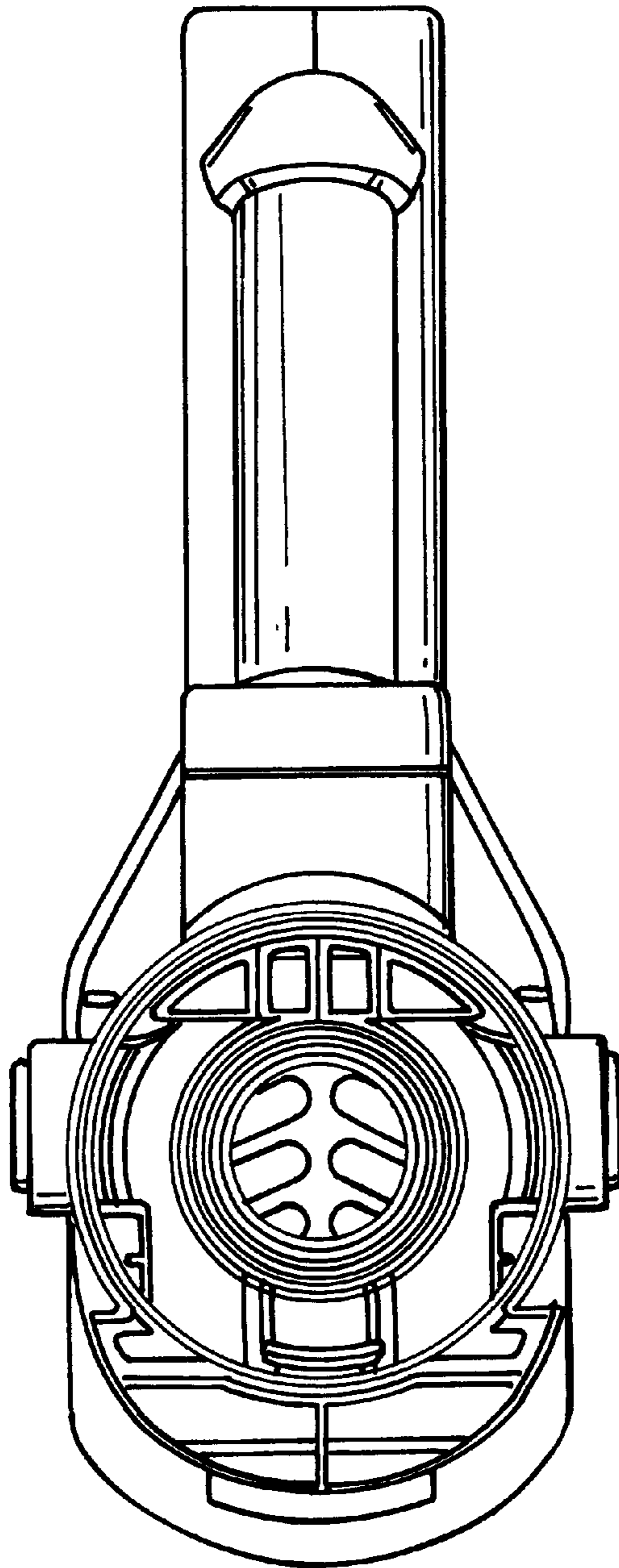




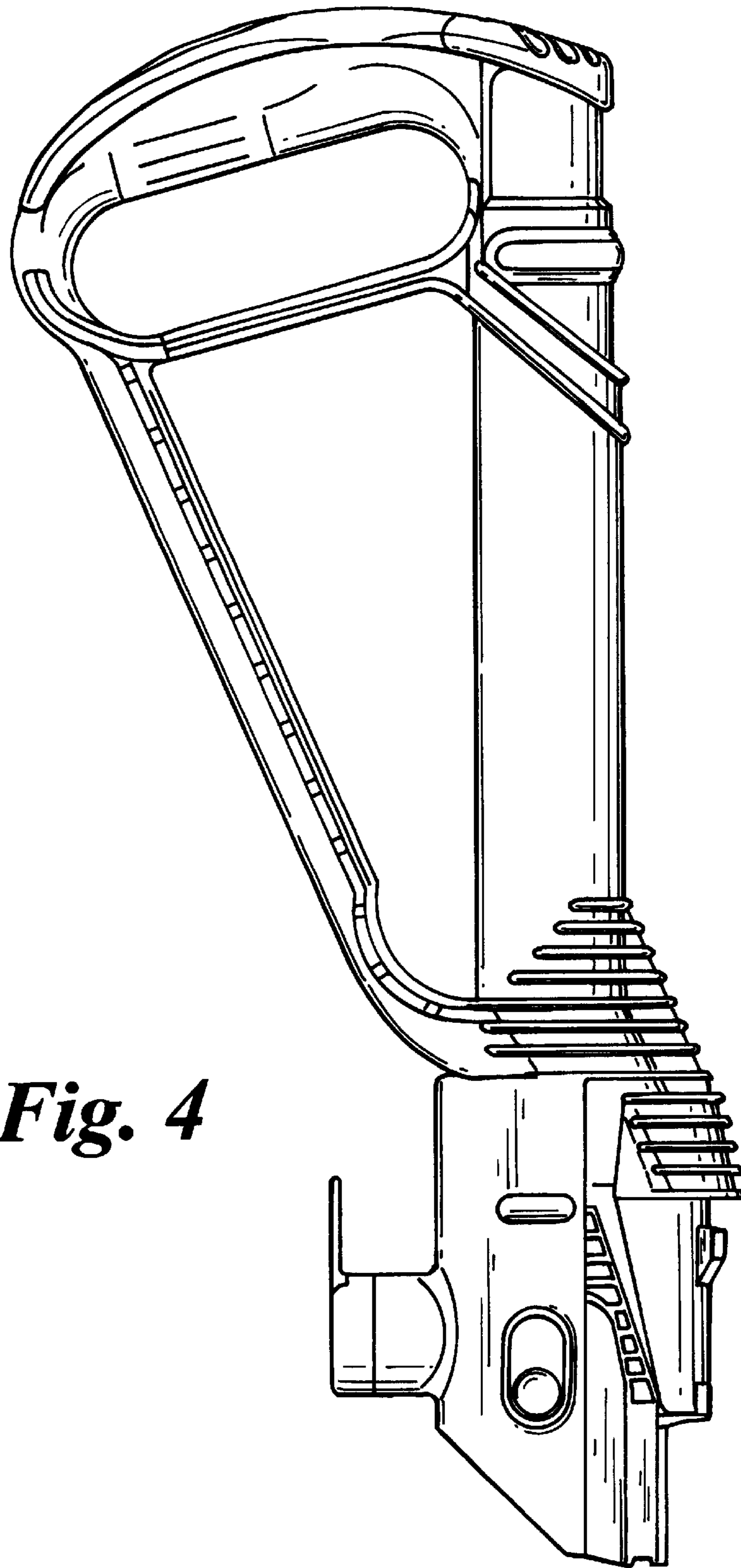
*Fig. 1*



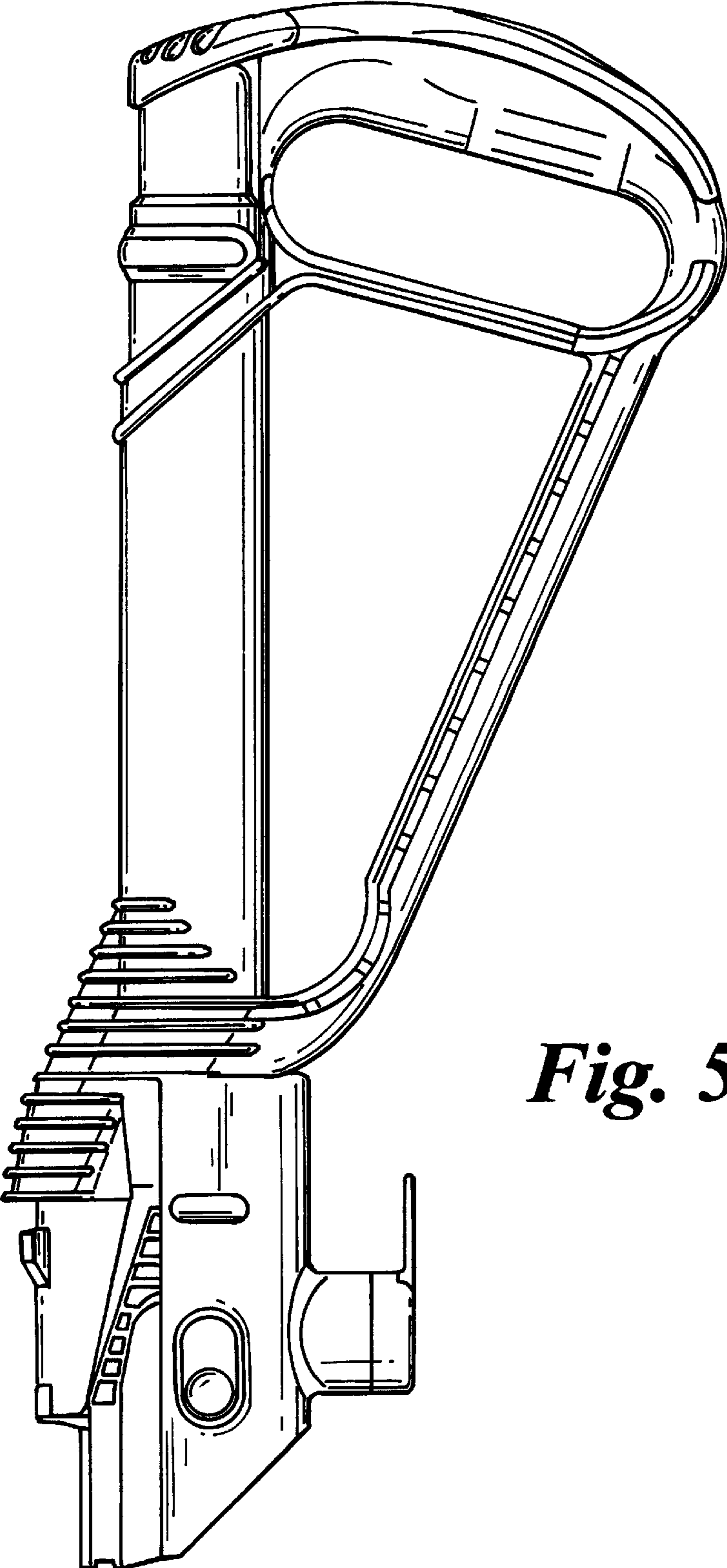
***Fig. 2***



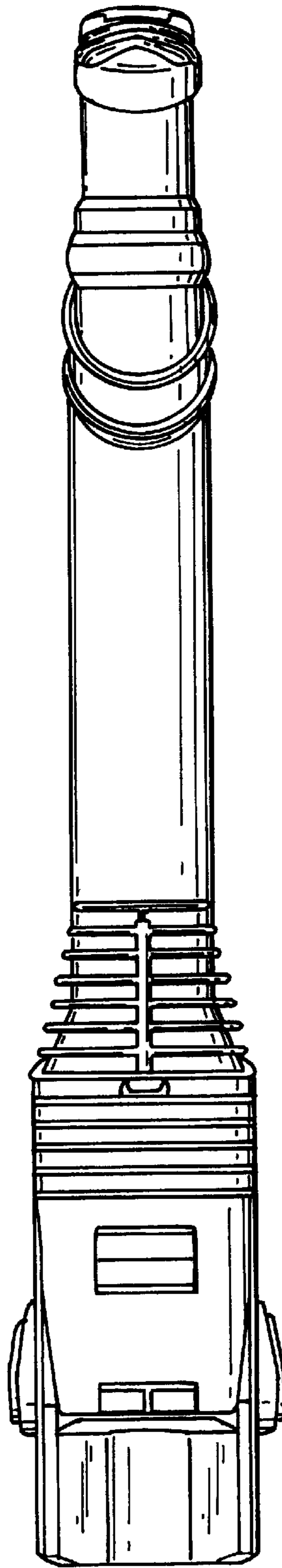
*Fig. 3*



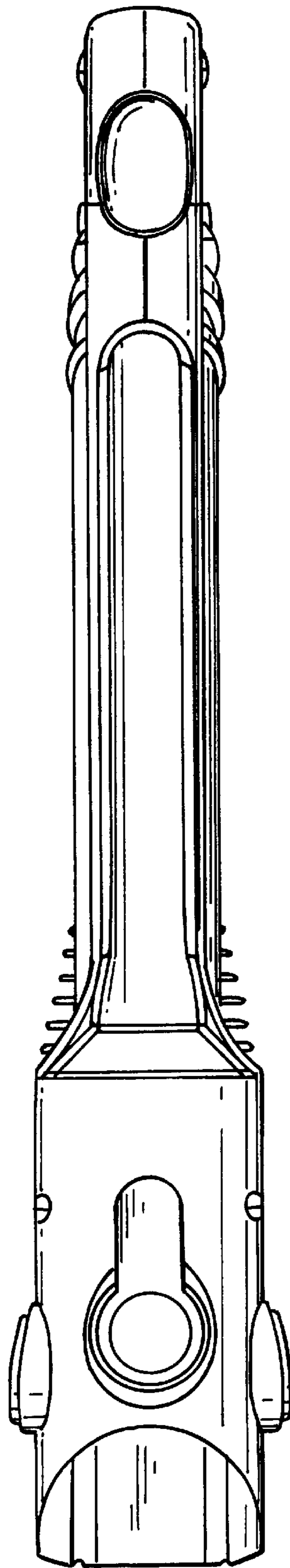
*Fig. 4*



*Fig. 5*



*Fig. 6*



*Fig. 7*