



US00D529672S

(12) **United States Design Patent**
Downey

(10) **Patent No.:** **US D529,672 S**
(45) **Date of Patent:** **** Oct. 3, 2006**

(54) **VACUUM CLEANER UPRIGHT HANDLE PORTION**

(75) Inventor: **Kevin T. Downey**, Grand Rapids, MI (US)

(73) Assignee: **Bissell Homecare, Inc.**, Grand Rapids, MI (US)

(**) Term: **14 Years**

(21) Appl. No.: **29/225,496**

(22) Filed: **Mar. 16, 2005**

(51) **LOC (8) Cl.** **15-05**

(52) **U.S. Cl.** **D32/31**

(58) **Field of Classification Search** D32/21, D32/22-23, 31, 34; 15/320-321, 327.1, 327.2, 15/323, 329, 334-335, 347, 350, 351, 353, 15/361, 410-411, DIG. 10; 55/346, DIG. 3, 55/459.1, 337, 429; 95/271

See application file for complete search history.

(56) **References Cited**

U.S. PATENT DOCUMENTS

D371,652 S	7/1996	Umbach	
D421,164 S	2/2000	Luebbering	
D462,489 S	9/2002	Roberts et al.	
D462,813 S	* 9/2002	Nakano et al. D32/22
D462,814 S	9/2002	Sugimoto	
D462,815 S	9/2002	Roberts et al.	
D463,078 S	9/2002	Harada	

6,532,621 B1	3/2003	Stephens et al.	
D477,698 S	7/2003	Roberts et al.	
D488,893 S	* 4/2004	Moine et al. D32/22
D488,894 S	* 4/2004	Leyden D32/22
D493,587 S	* 7/2004	Downey et al. D32/31
D494,720 S	* 8/2004	Rosenzweig et al. D32/31
D510,465 S	* 10/2005	Takahashi et al. D32/22

OTHER PUBLICATIONS

Drawings of BISSELL Upright Vacuum Cleaner Base, 5 pages., introduced Oct. 2003.

Drawings of BISSELL Vacuum Cleaner Handle Portion, 4 pages., introduced Mar. 2004.

* cited by examiner

Primary Examiner—Ruth McInroy

(74) *Attorney, Agent, or Firm*—McGarry Bair PC

(57) **CLAIM**

The ornamental design for a vacuum cleaner upright handle portion, as shown and described.

DESCRIPTION

FIG. 1 is a front perspective view of a vacuum cleaner upright handle portion which embodies our design;

FIG. 2 is a front view thereof;

FIG. 3 is a rear view thereof;

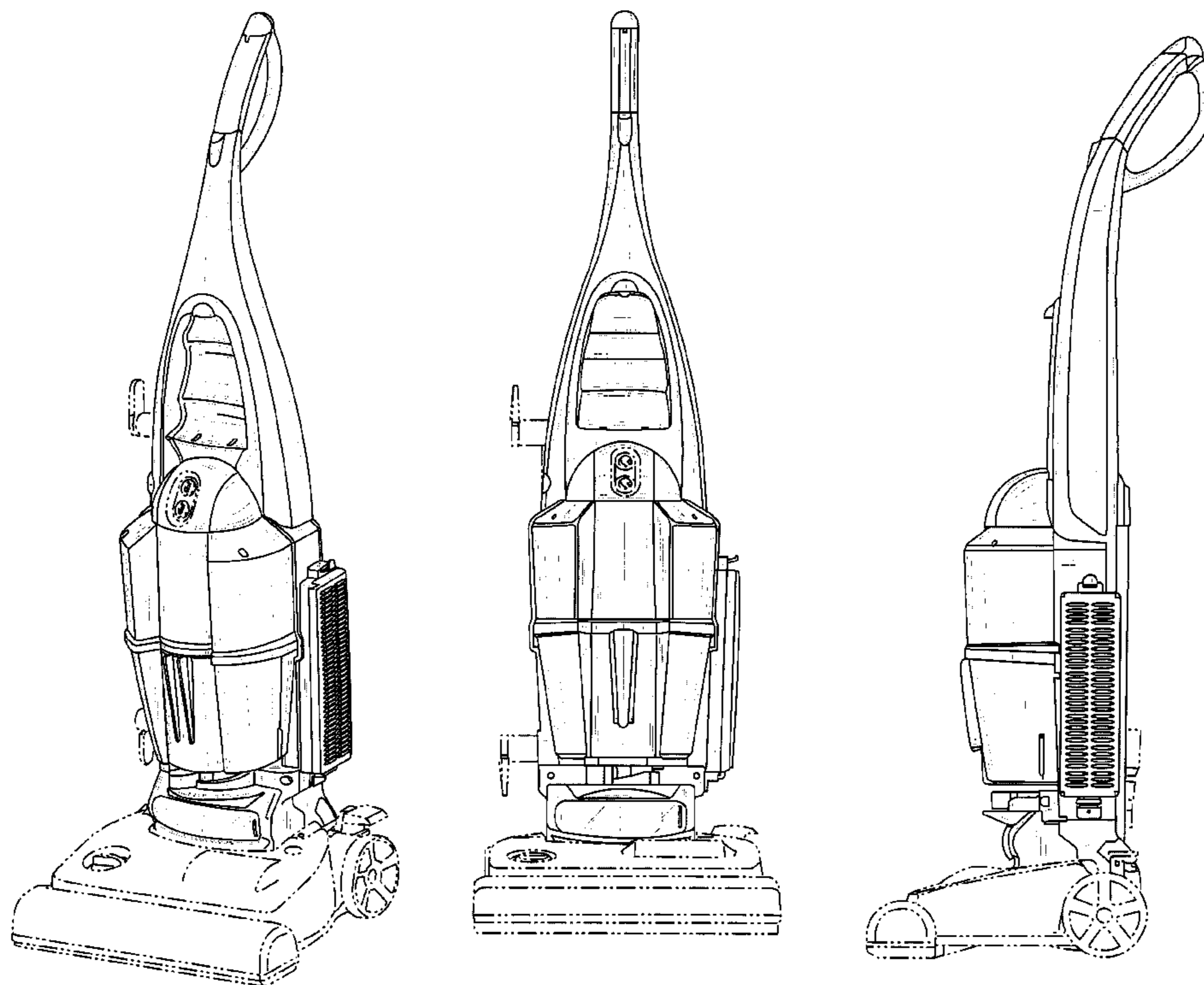
FIG. 4 is a right side view thereof;

FIG. 5 is a left side view thereof; and,

FIG. 6 is a top view thereof.

The material in dotted lines forms no part of my design.

1 Claim, 5 Drawing Sheets



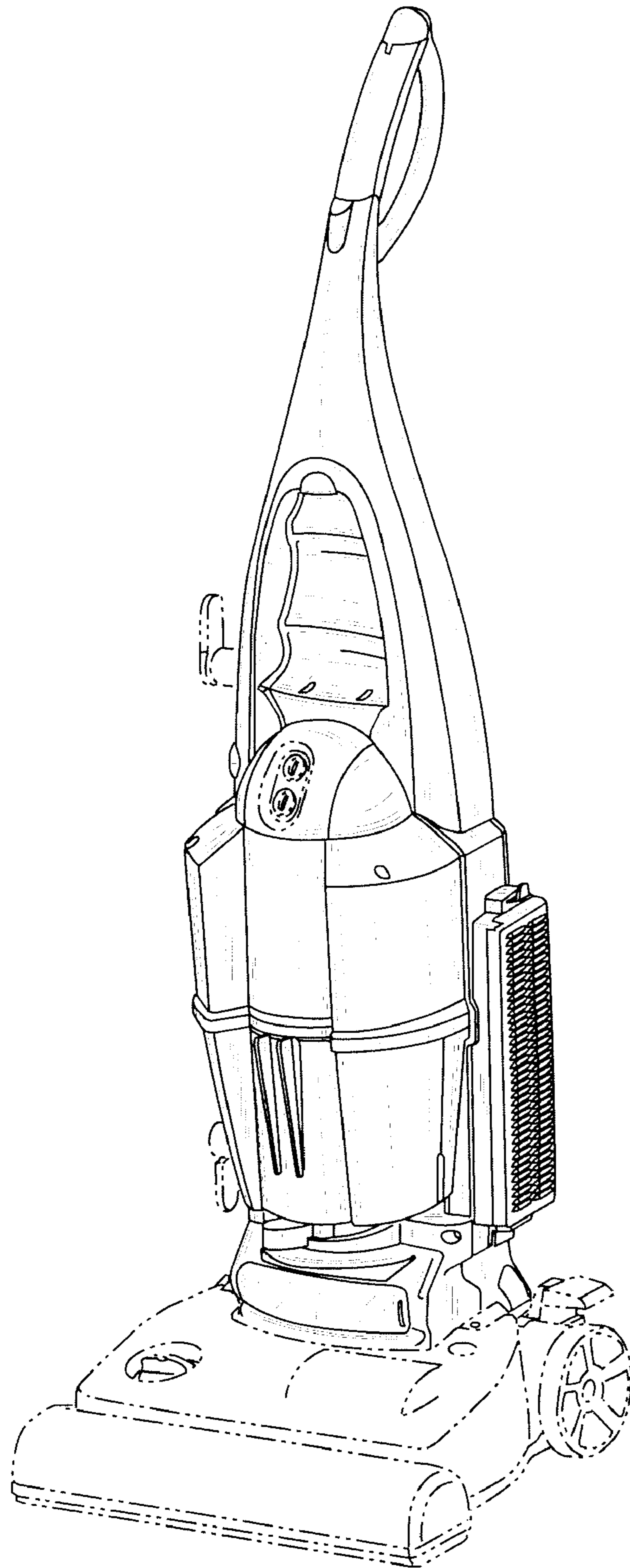


Fig. 1

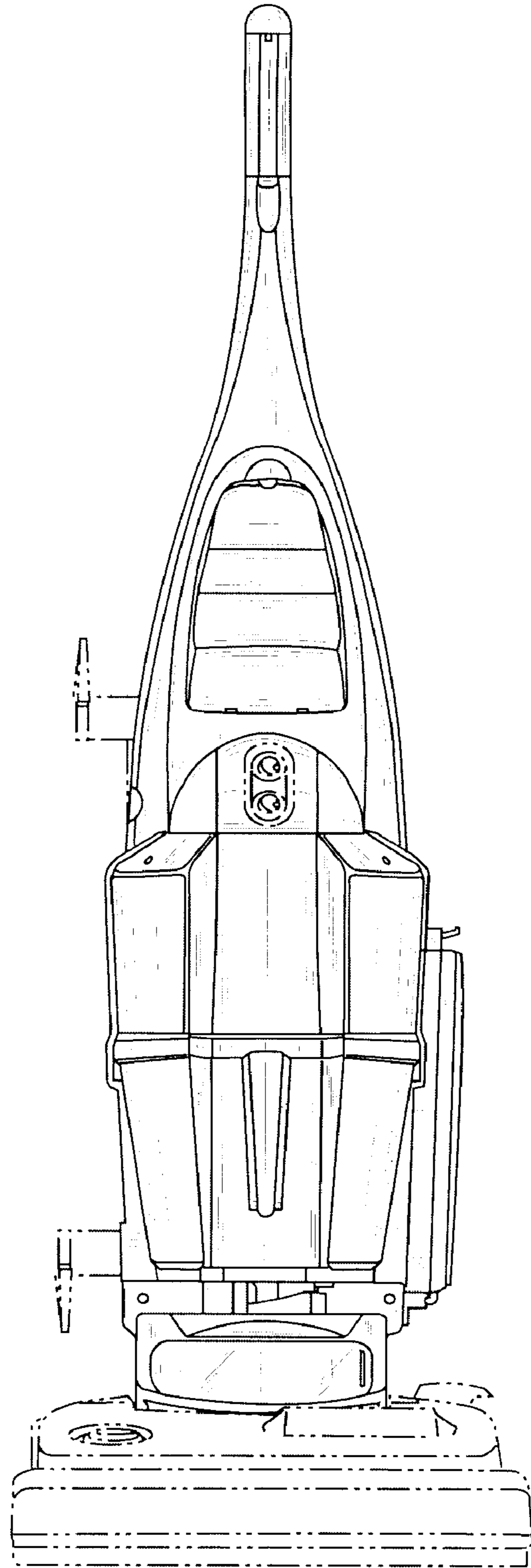


Fig. 2

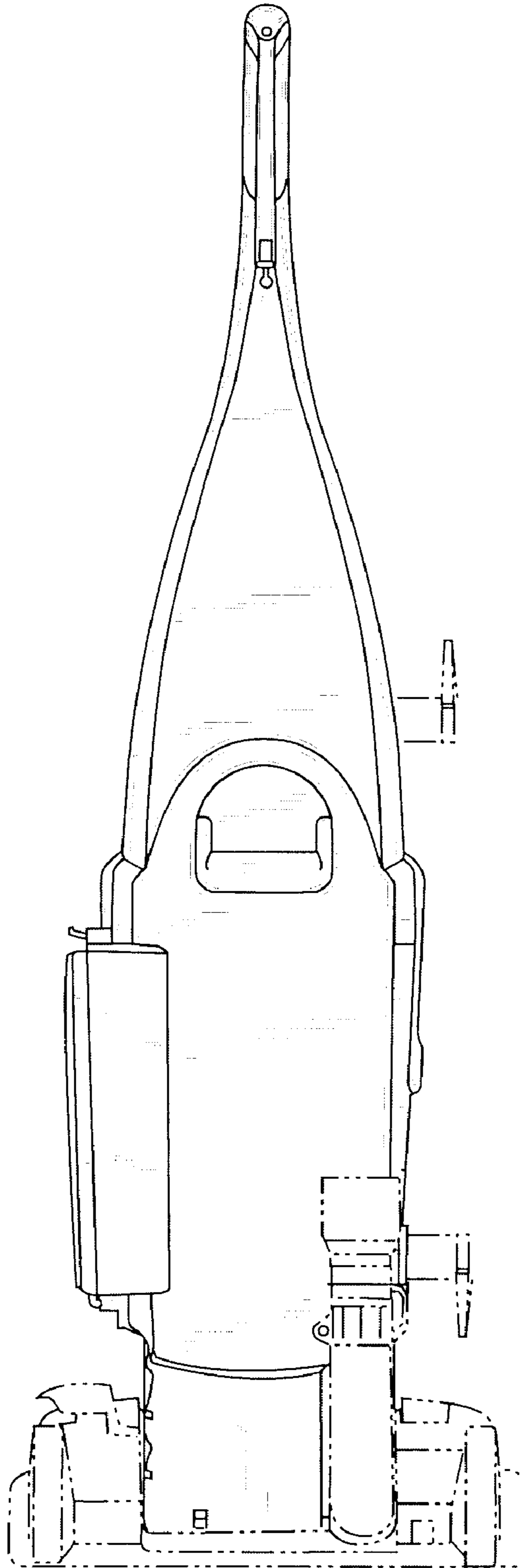


Fig. 3

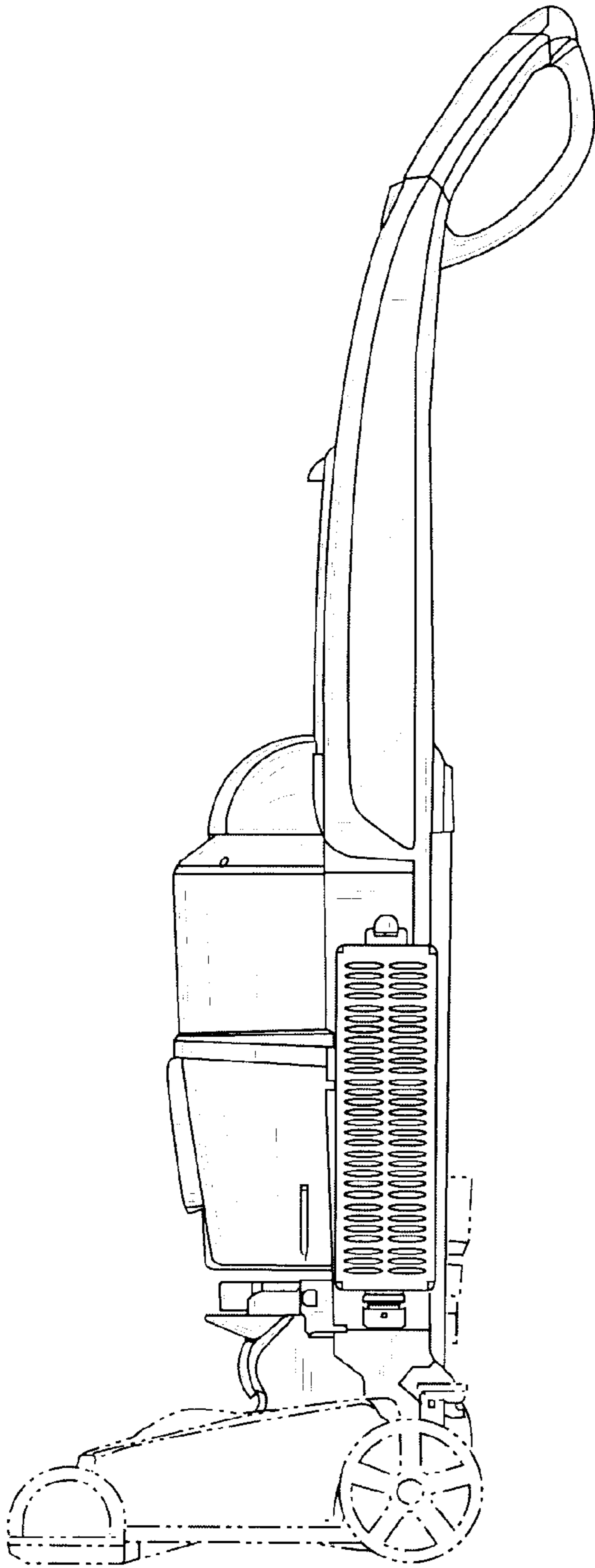


Fig. 4

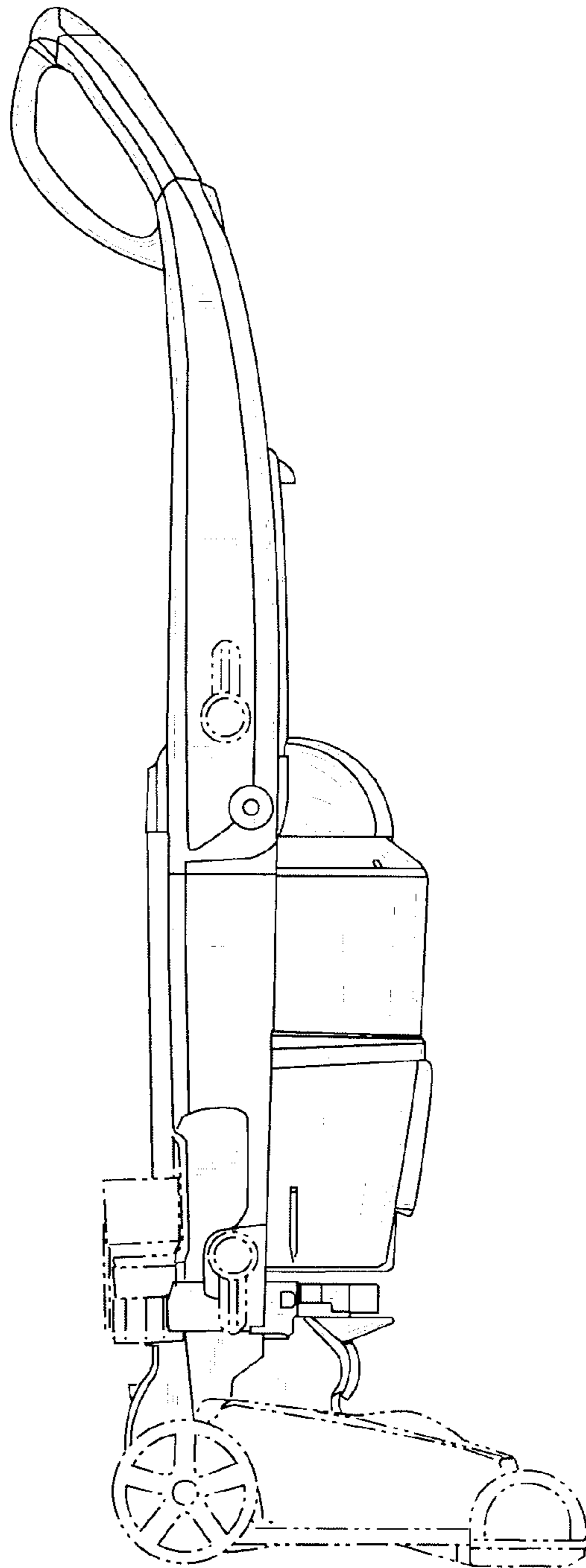


Fig. 5

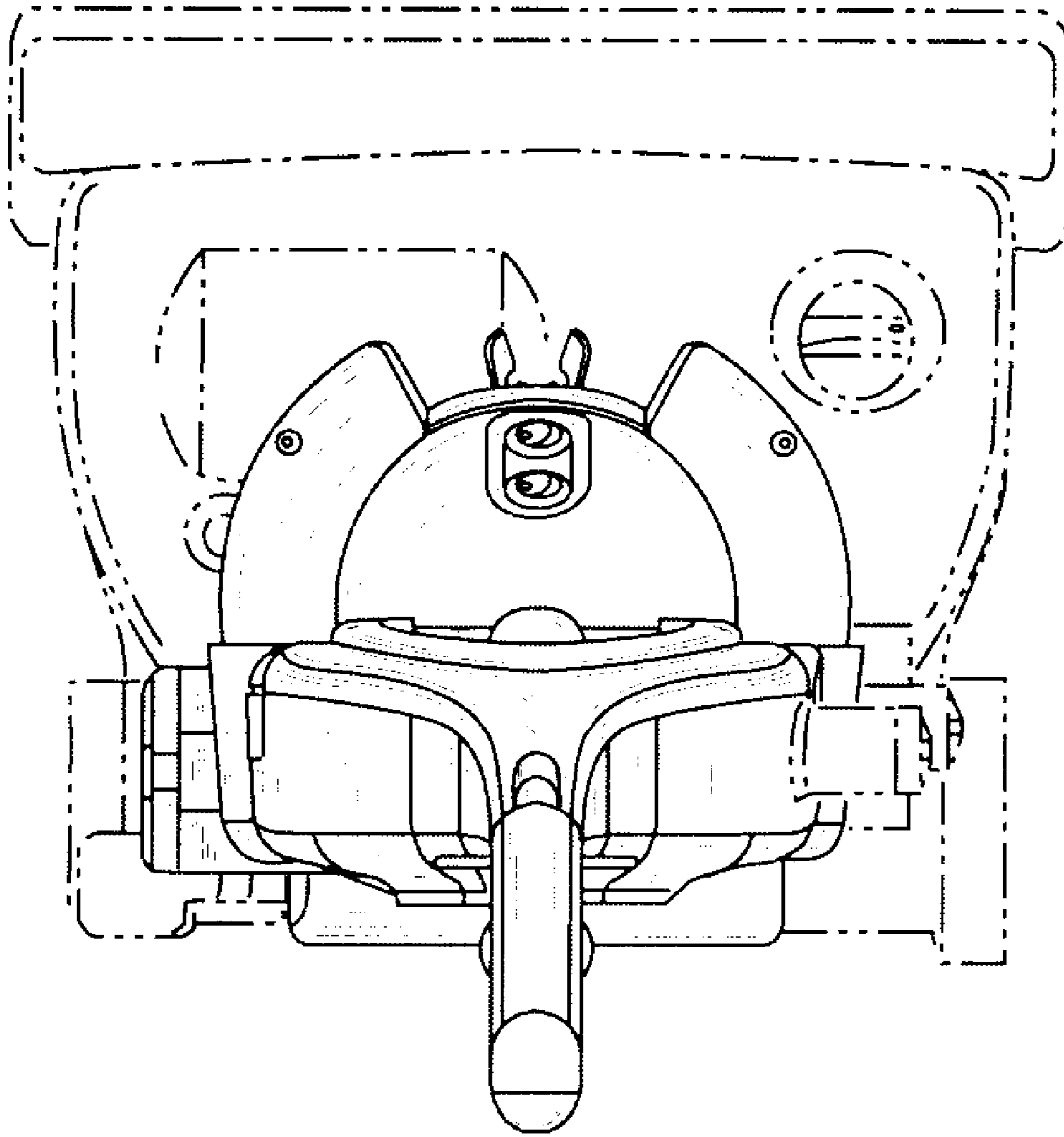


Fig. 6