



US00D529671S

(12) **United States Design Patent**
Yung

(10) **Patent No.:** **US D529,671 S**
(45) **Date of Patent:** **** Oct. 3, 2006**

(54) **HANDHELD CYCLONIC VACUUM**

(75) Inventor: **Sze Tai Yung**, Kowloon (HK)

(73) Assignee: **AK Industrial Co., Ltd.** (HK)

(**) Term: **14 Years**

(21) Appl. No.: **29/226,946**

(22) Filed: **Apr. 4, 2005**

(51) **LOC (8) Cl.** **15-05**

(52) **U.S. Cl.** **D32/18**

(58) **Field of Classification Search** D32/15-18,
D32/21, 22-24, 31; 15/314, 324, 344, 329,
15/347, 320-321, 412, DIG. 1, 353-354,
15/301, 385, 93.1, 405, 330, 415.1, 327.5,
15/323

See application file for complete search history.

(56) **References Cited**

U.S. PATENT DOCUMENTS

4,373,228	A	2/1983	Dyson
D280,452	S	9/1985	Arita
D294,412	S	2/1988	Sadashima et al.
D302,876	S	8/1989	Ikeda et al.
D304,104	S	10/1989	Busalt et al.
D306,505	S	3/1990	Bradd
D307,657	S	5/1990	Li
D320,099	S	9/1991	Case et al.
D326,169	S	5/1992	Stützer et al.
D376,228	S	12/1996	Bass et al.
D379,691	S	6/1997	Moine et al.
D387,516	S	12/1997	Murray et al.
D401,021	S	11/1998	Stephens et al.
D418,262	S	12/1999	Yuen
D421,671	S	3/2000	Thomas
D432,743	S	10/2000	Santiago
D437,983	S	2/2001	Stratford
D440,719	S	4/2001	Stratford
D440,720	S	4/2001	Stratford
D441,151	S	4/2001	Stratford
D441,152	S	4/2001	Stratford
D441,926	S	5/2001	Stratford
6,231,647	B1	5/2001	Cheng

D448,894	S	10/2001	Yuen
D456,960	S	5/2002	Vandenbelt et al.
D459,560	S	6/2002	Lau
6,434,785	B1	8/2002	Vandenbelt et al.
6,481,043	B1	11/2002	Anderson et al.
D468,068	S	12/2002	Mok
D471,331	S	3/2003	Pan
D480,845	S	* 10/2003	Ki D32/18
D481,842	S	11/2003	Tai

(Continued)

FOREIGN PATENT DOCUMENTS

JP 1050612 5/1990

OTHER PUBLICATIONS

U.S. Appl. No. 29/176,115, filed Feb. 18, 2003, Ma, Rotary Brush Vacuum Cleaner.

U.S. Appl. No. 29/176,440, Feb. 21, 2003, Cheng, Handheld Brush Vacuum.

U.S. Appl. No. 29/181,964, filed May 16, 2003, Ma, Handheld Rotary Vacuum.

U.S. Appl. No. 10/100,727, filed Mar. 20, 2002, Ma, Electric Rotary Brush Module.

Prior to Sep. 14, 2004, Royal Appliance Mfg. Co., Electric Rotary Brush Module.

Primary Examiner—Ruth McInroy

(74) *Attorney, Agent, or Firm*—Roy, Kiesel et al.

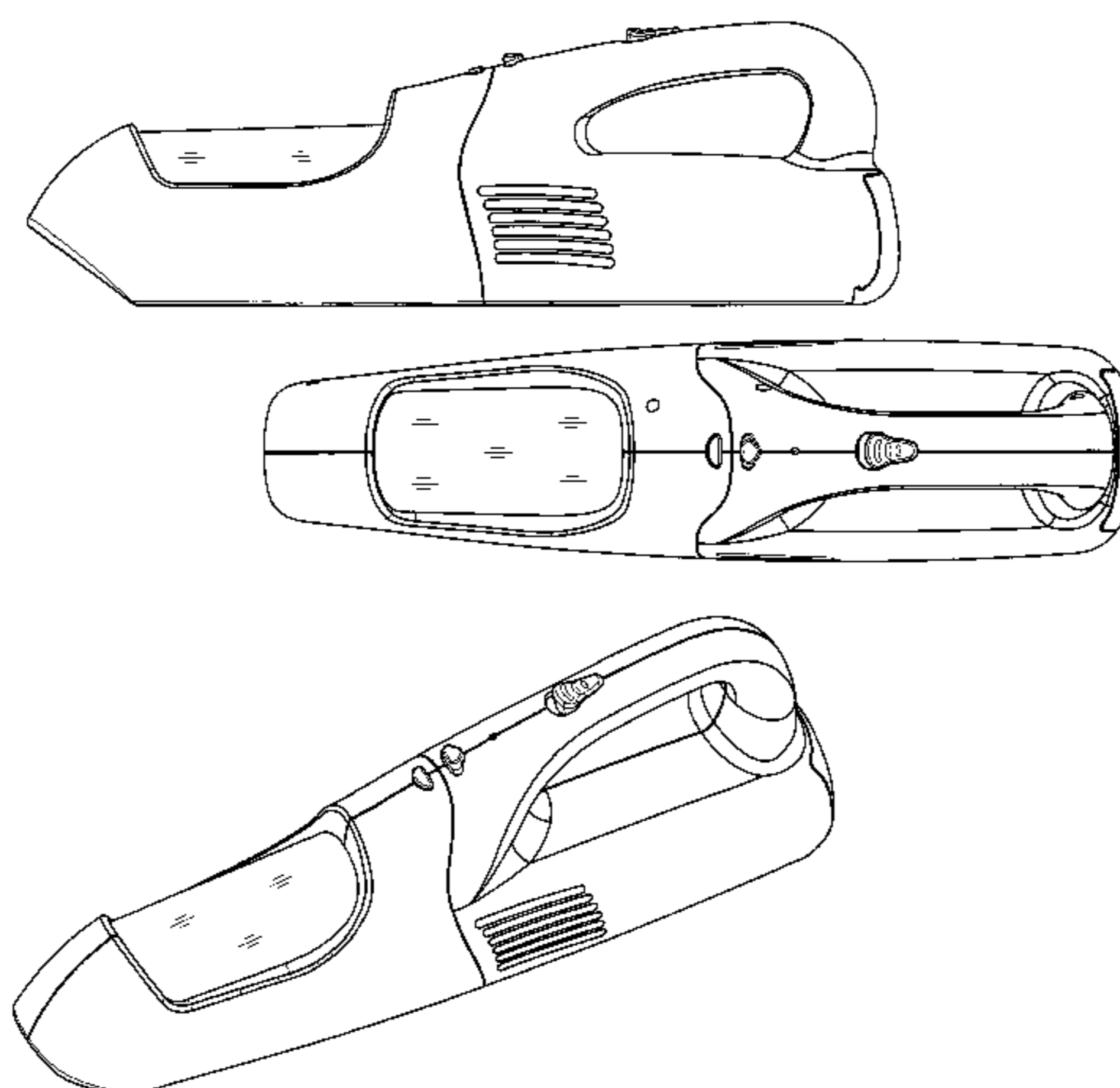
(57) **CLAIM**

I claim the ornamental design for a handheld cyclonic vacuum, as shown and described.

DESCRIPTION

FIG. 1 is a left view thereof;
FIG. 2 is a front end view thereof;
FIG. 3 is a rear end view thereof;
FIG. 4 is a top view thereof;
FIG. 5 a bottom view thereof.
FIG. 6 is a right view thereof; and,
FIG. 7 is perspective view of a handheld cyclonic vacuum incorporating the inventive design.

1 Claim, 7 Drawing Sheets



US D529,671 S

Page 2

U.S. PATENT DOCUMENTS

D483,533 S	*	12/2003	Ki	D32/18	D509,931 S	*	9/2005	Ma	D32/18
D489,849 S	*	5/2004	Ki	D32/18	D514,758 S	*	2/2006	Lau	D32/18
D501,065 S	*	1/2005	Ma	D32/18	D515,258 S	*	2/2006	Robson	D32/18
D507,385 S	*	7/2005	Ma	D32/18						

* cited by examiner

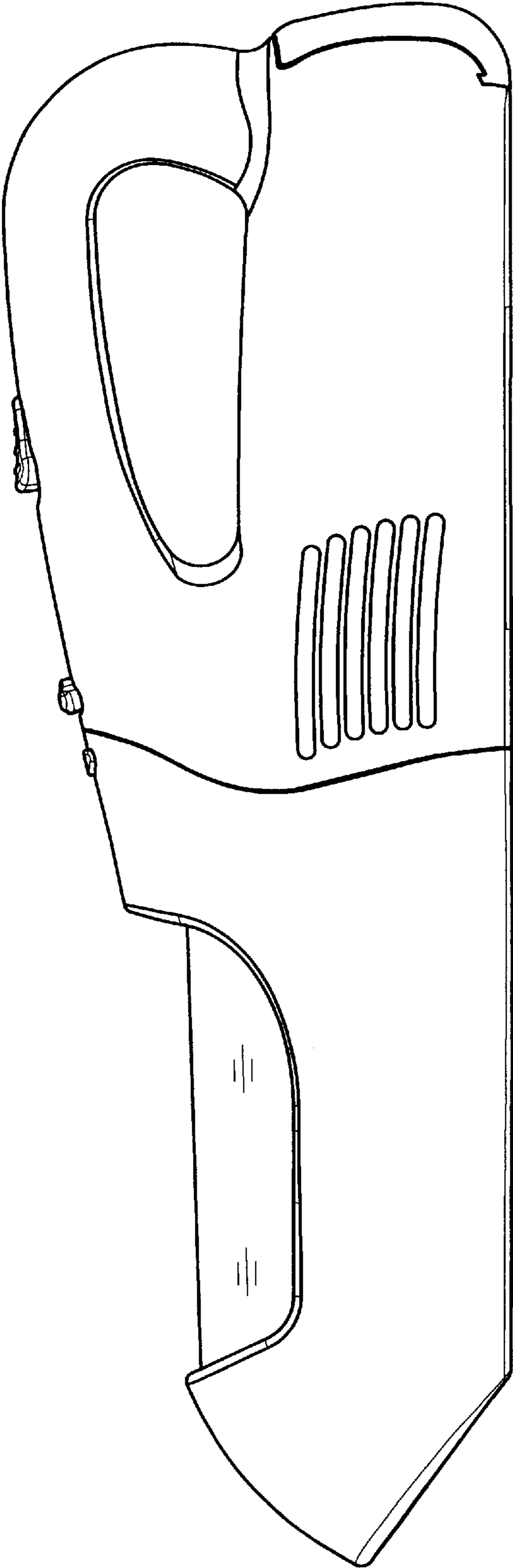


FIG. 1

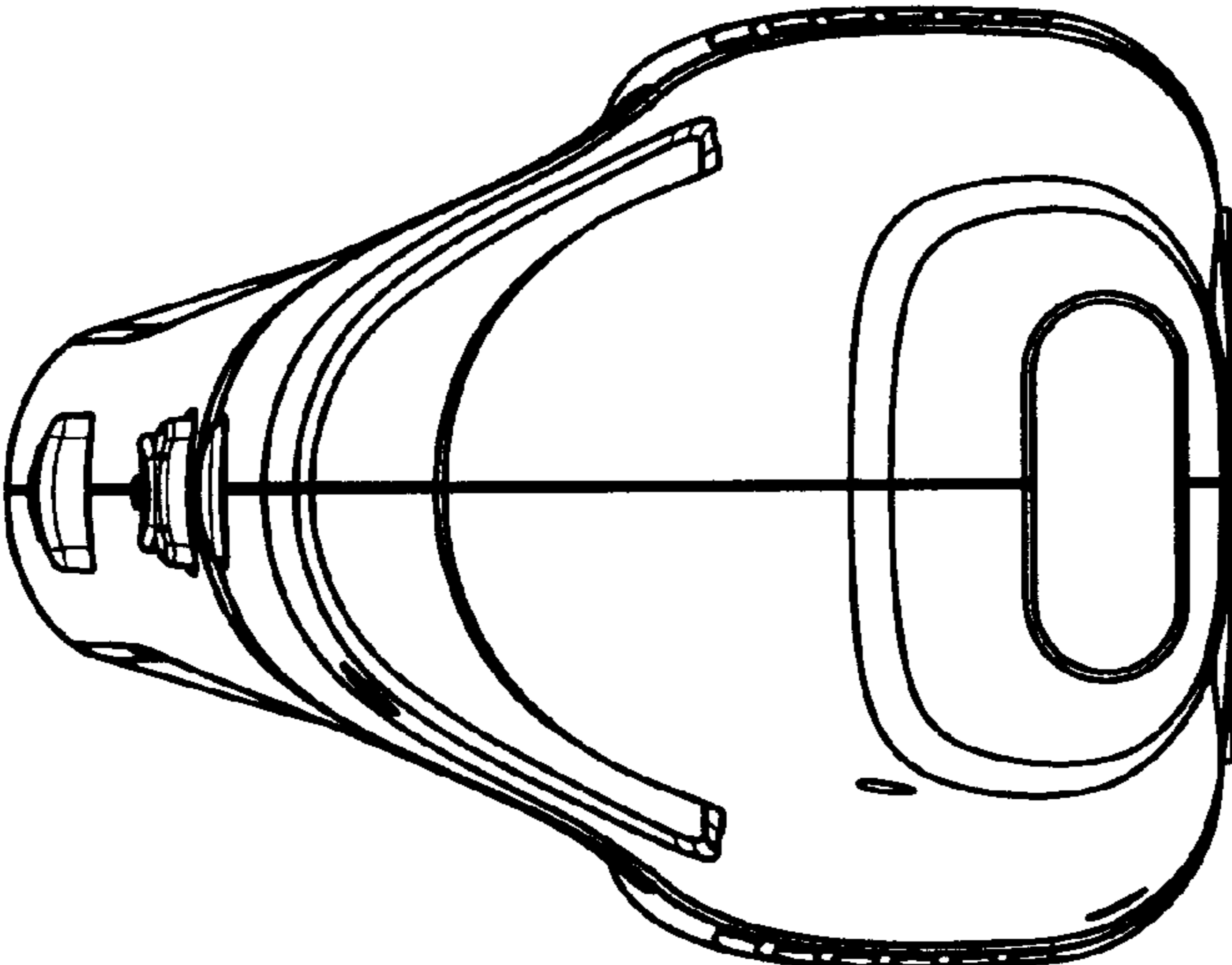


FIG. 2

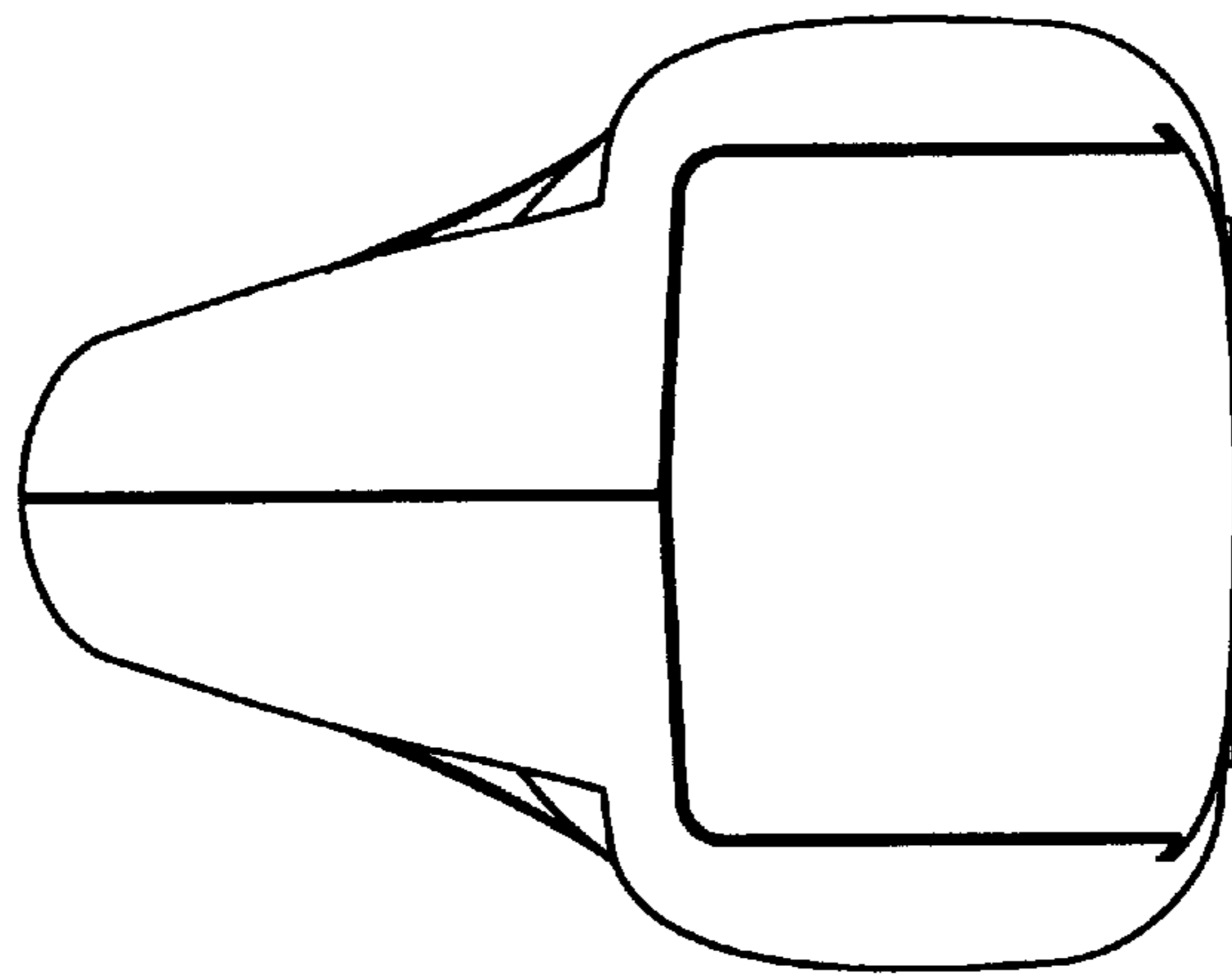


FIG. 3

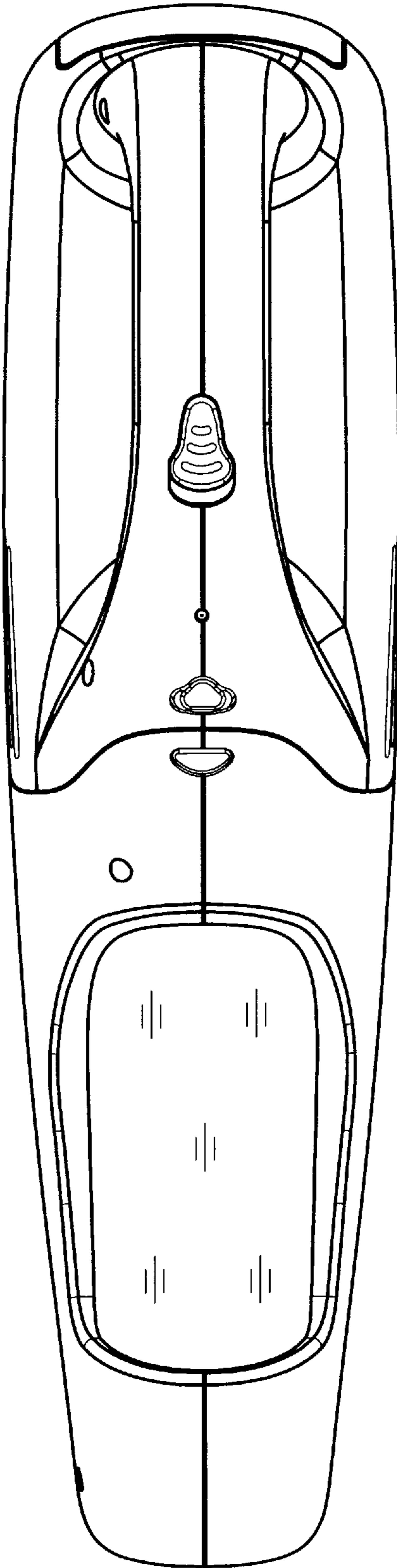


FIG. 4

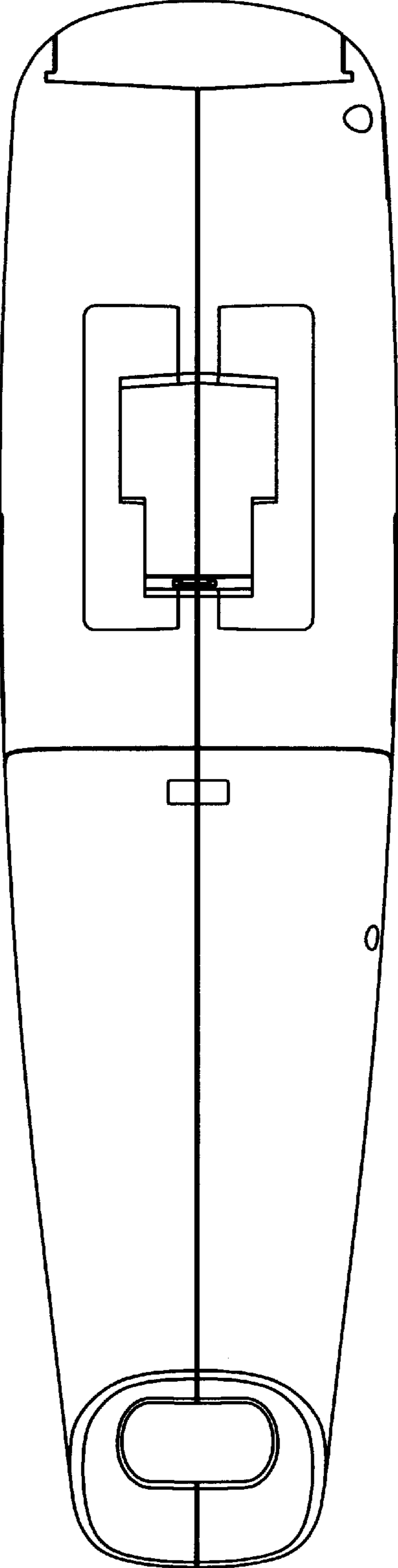


FIG. 5

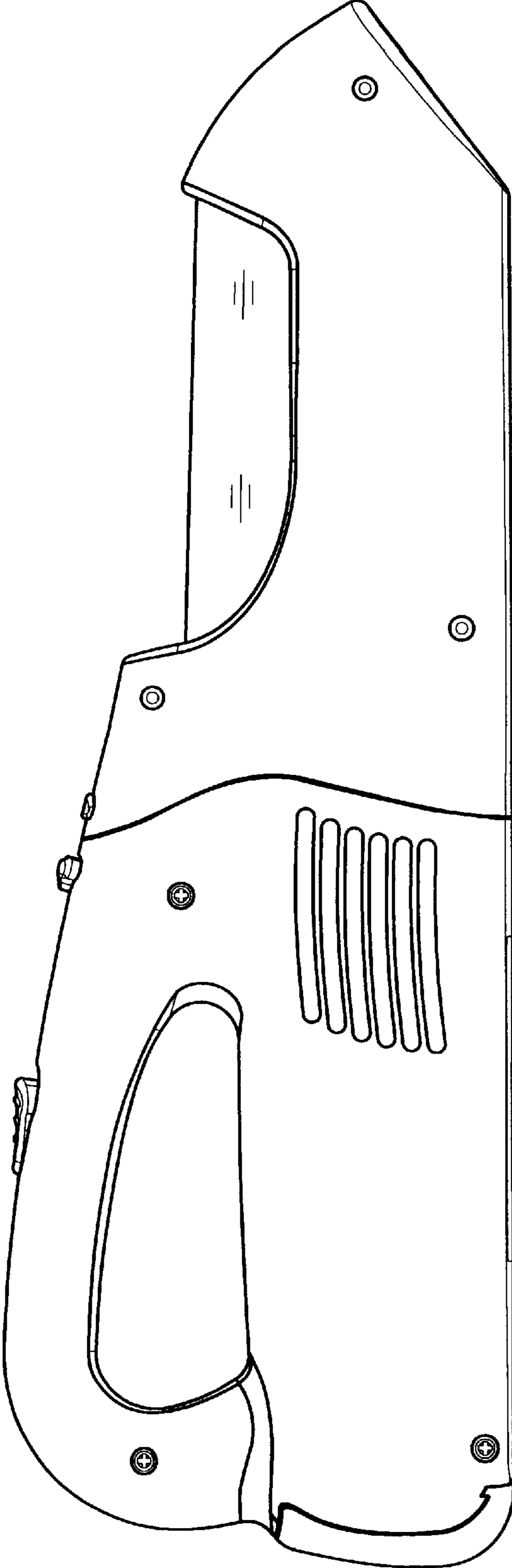


FIG. 6

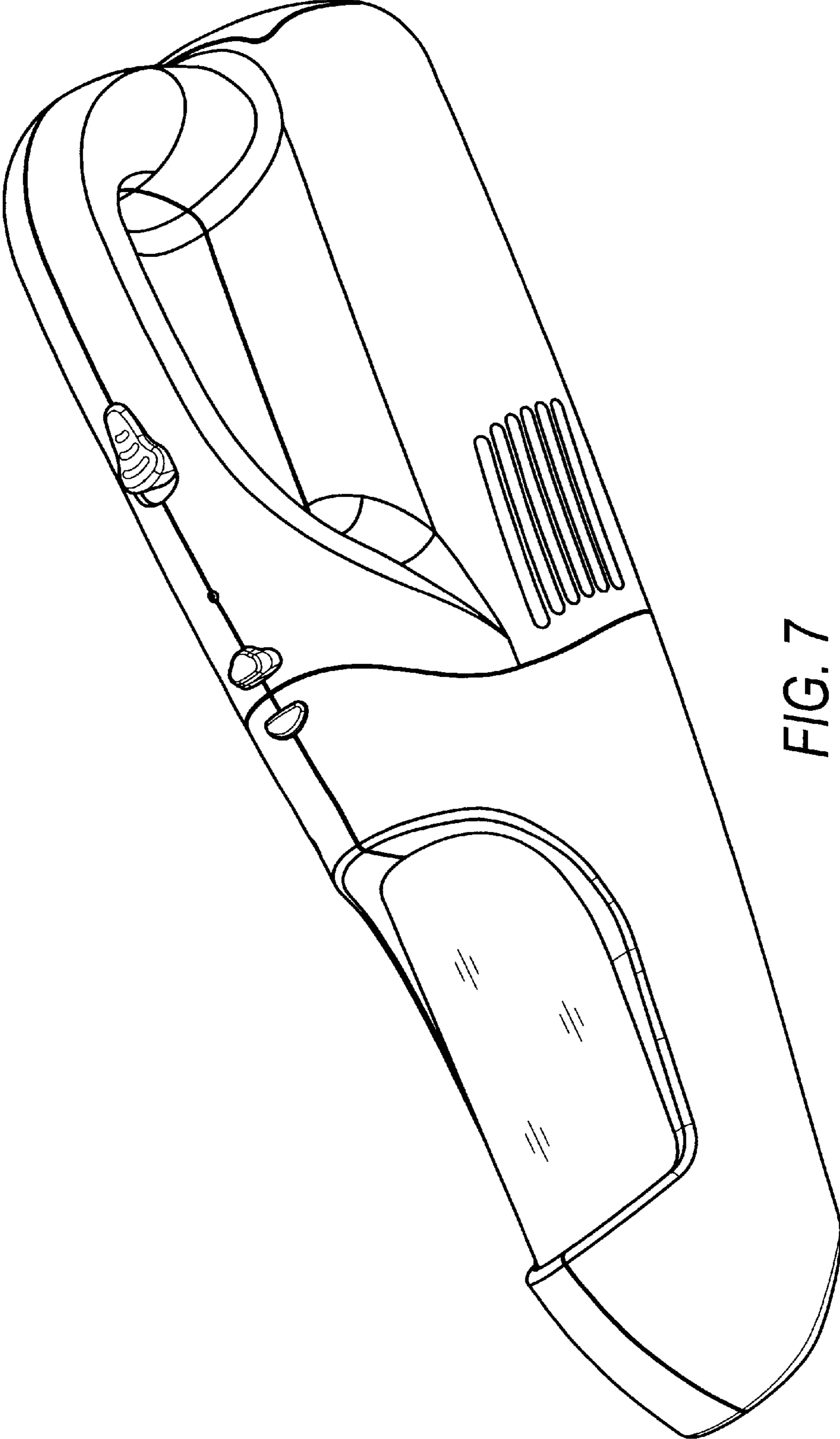


FIG. 7