



US00D529670S

(12) **United States Design Patent**
Hendy

(10) **Patent No.:** **US D529,670 S**

(45) **Date of Patent:** **** Oct. 3, 2006**

(54) **PORTABLE PRESSURE WASHER**
(75) Inventor: **Robert John Hendy**, Taunton (GB)
(73) Assignee: **Brendon Limited**, Taunton (GB)
(**) Term: **14 Years**

5,299,767 A * 4/1994 Simpson 248/129
5,954,494 A * 9/1999 Goldsmith et al. 431/254
D450,061 S * 11/2001 Graber et al. D15/9
D458,423 S * 6/2002 Rehkugler et al. D32/16
D467,692 S * 12/2002 Morgan et al. D32/15

* cited by examiner

Primary Examiner—Louis S. Zarfaz
Assistant Examiner—Kathleen Sims

(21) Appl. No.: **29/226,738**
(22) Filed: **Mar. 31, 2005**

(57) **CLAIM**

(30) **Foreign Application Priority Data**

The ornamental design for portable pressure washer, as shown and described.

Oct. 1, 2004 (EM) 000235429-0001/0003

DESCRIPTION

(51) **LOC (8) Cl.** **15-05**
(52) **U.S. Cl.** **D32/15**
(58) **Field of Classification Search** D32/15,
D32/16, 21, 22, 25, 31; 417/360, 364; 15/347,
15/320, 321, 3, 323, 352, 340.2, 403; 134/200;
239/146-9, 532, 722; D15/7-9; D34/24,
D34/27, 25, 26; D13/112-14, 116
See application file for complete search history.

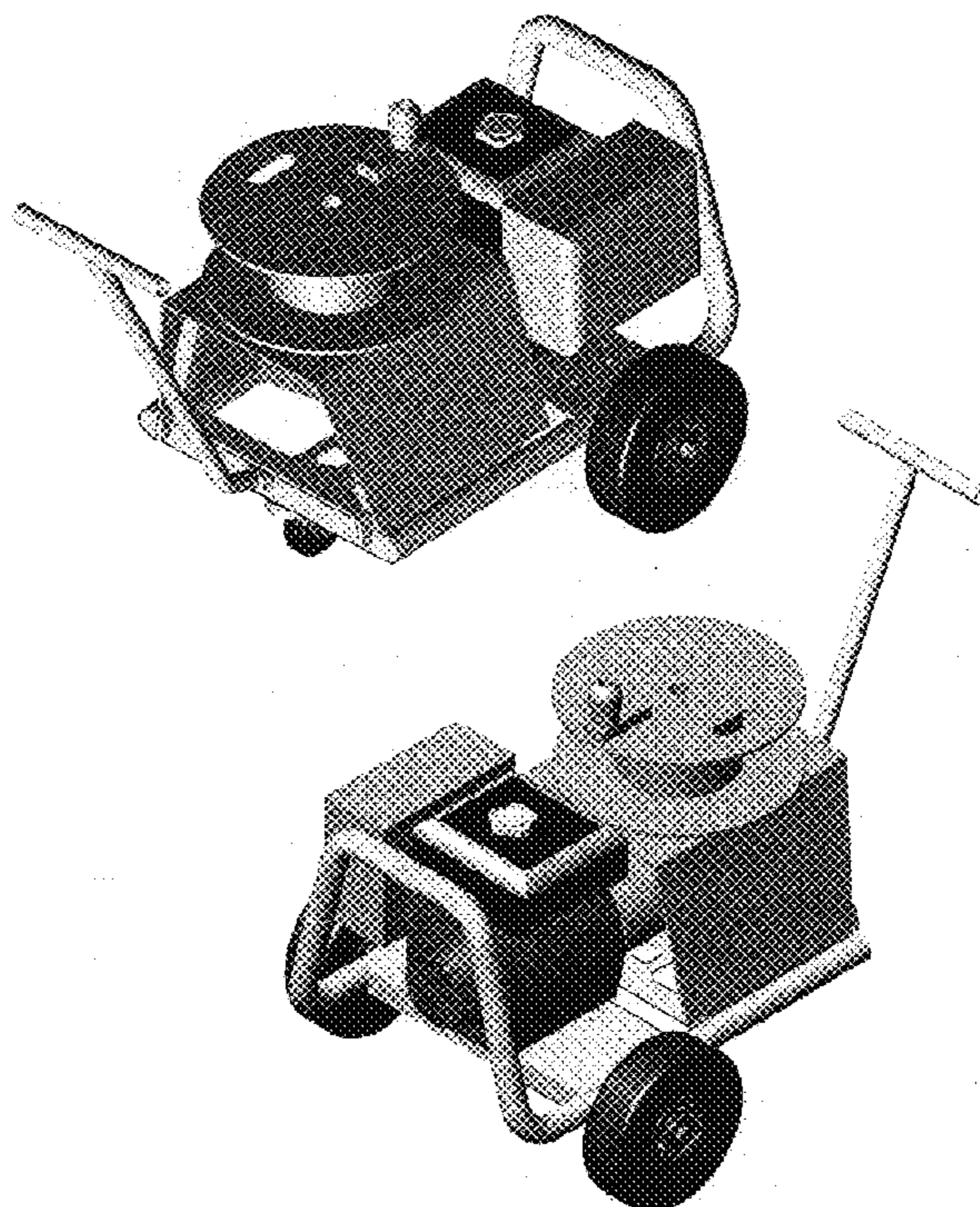
FIG. 1 is a first perspective view of a portable pressure washer;
FIG. 2 is a second perspective view of the portable pressure washer;
FIG. 3 is a third perspective view of the portable pressure washer;
FIG. 4 is a fourth perspective view of the portable pressure washer;
FIG. 5 is a first side view of the portable pressure washer;
FIG. 6 is a second side view of the portable pressure washer;
and,
FIG. 7 is a third side view of the portable pressure washer.

(56) **References Cited**

U.S. PATENT DOCUMENTS

D223,039 S * 2/1972 Widmer D15/7
D277,285 S * 1/1985 Lopez D15/1
D284,381 S * 6/1986 Stuart D15/7

1 Claim, 7 Drawing Sheets



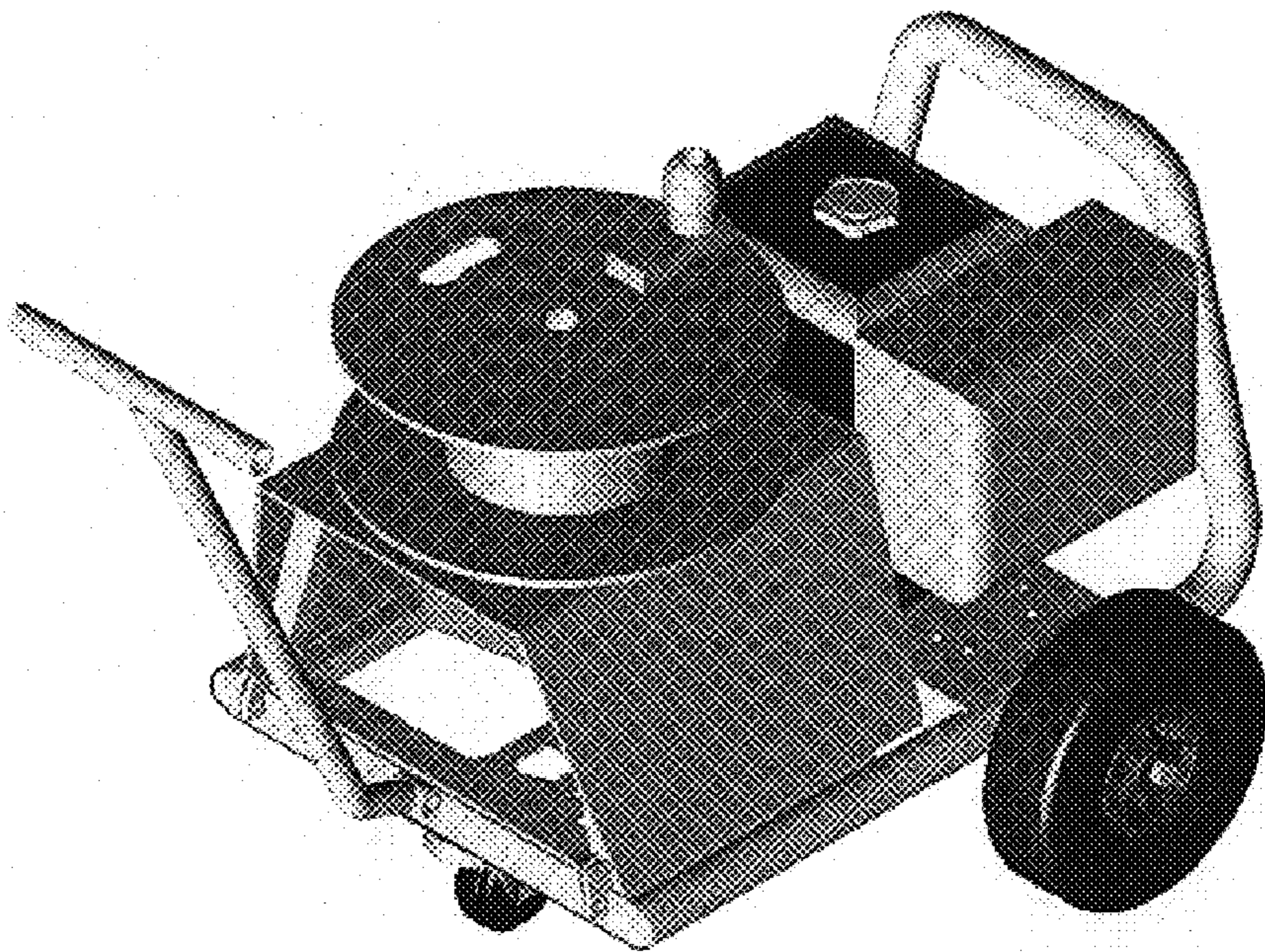


FIG. 1

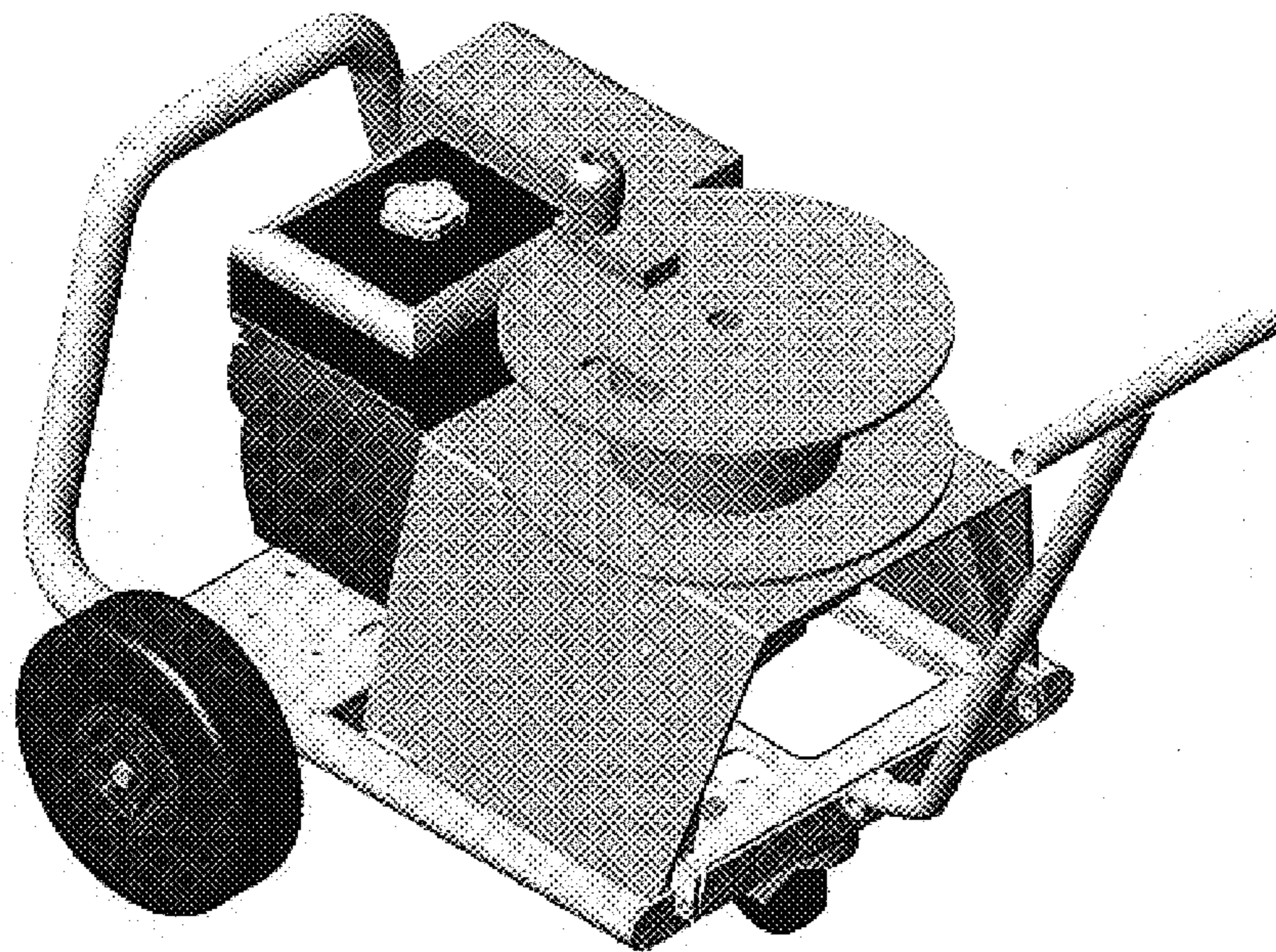


FIG. 2

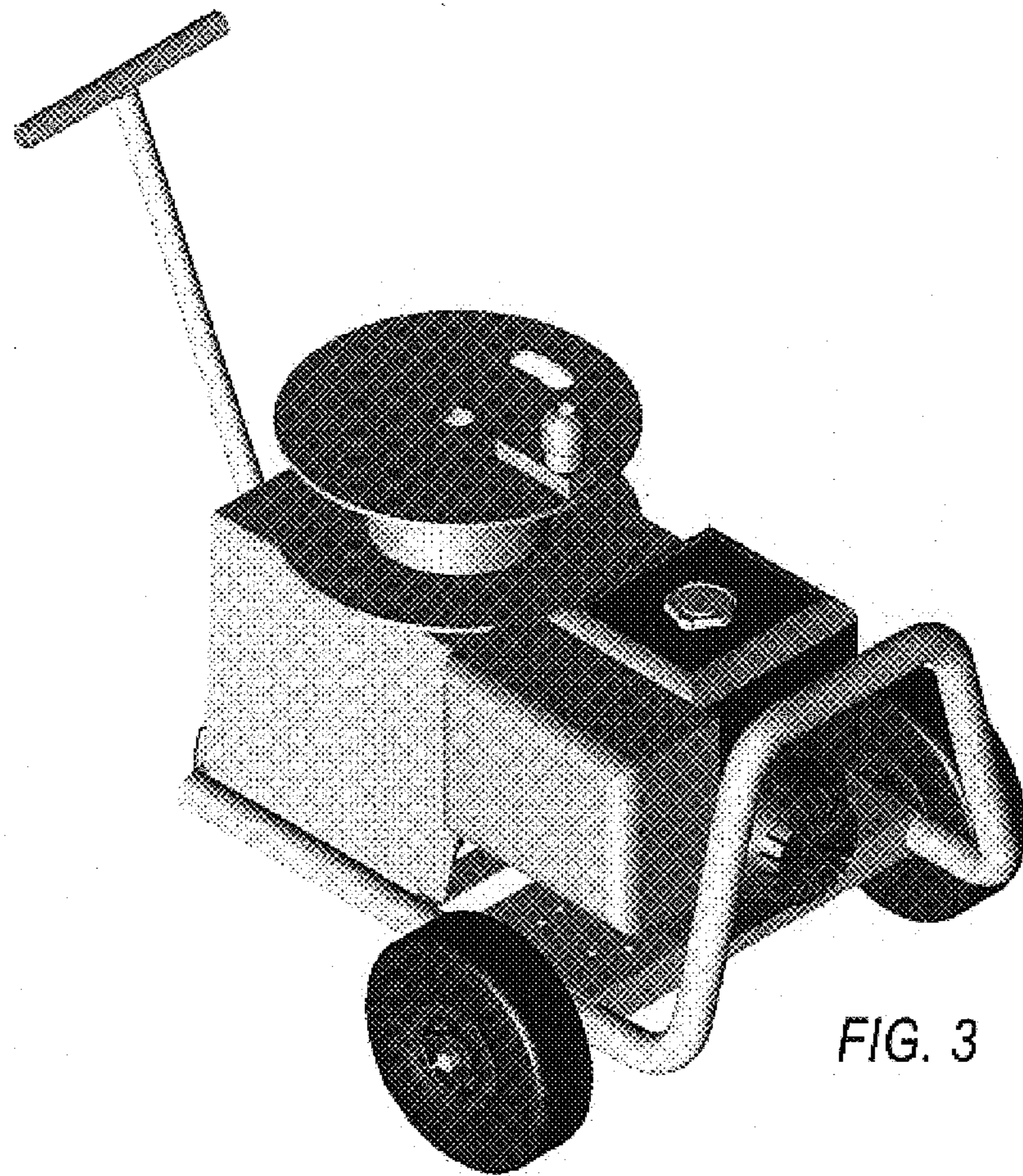


FIG. 3

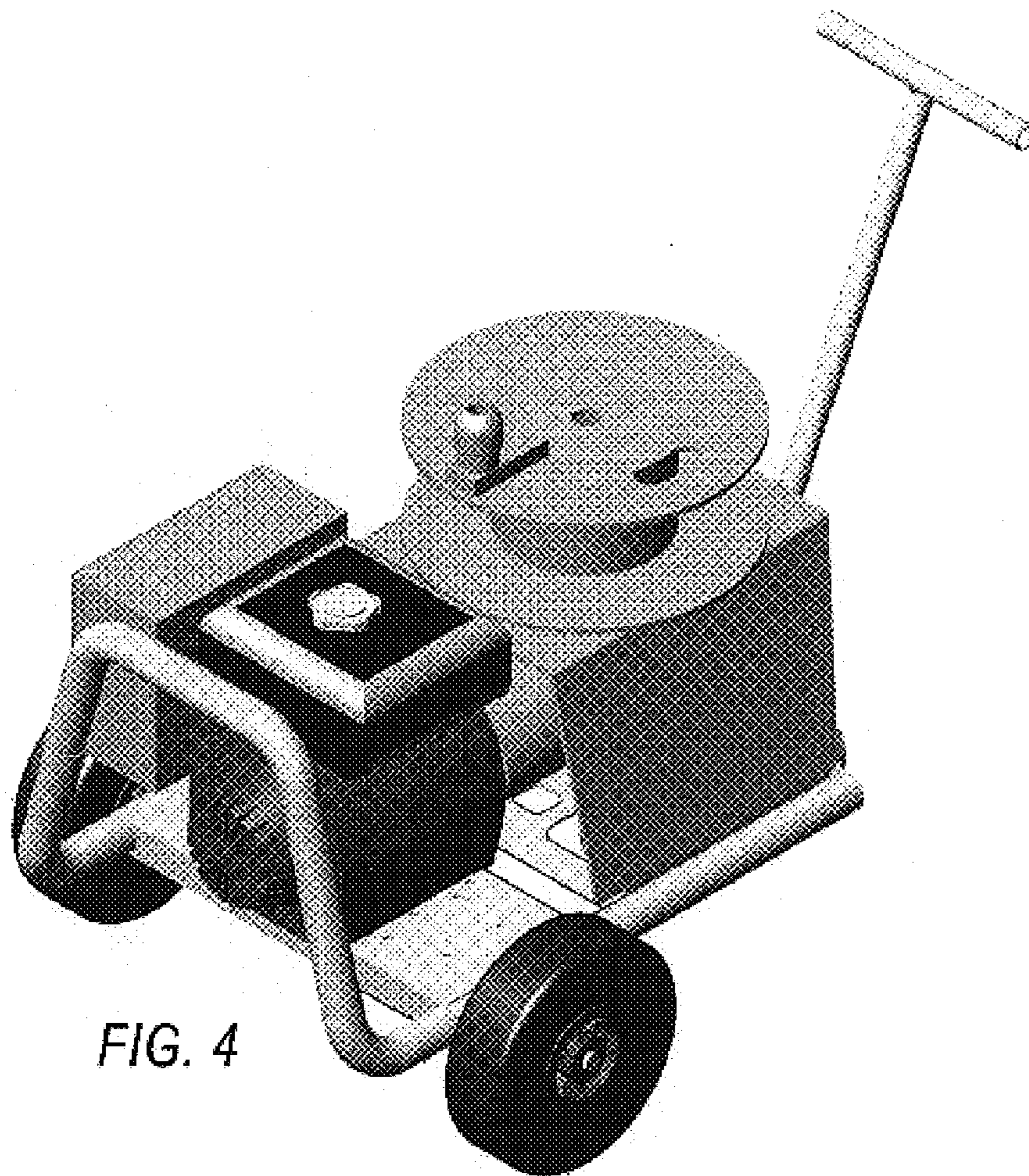


FIG. 4

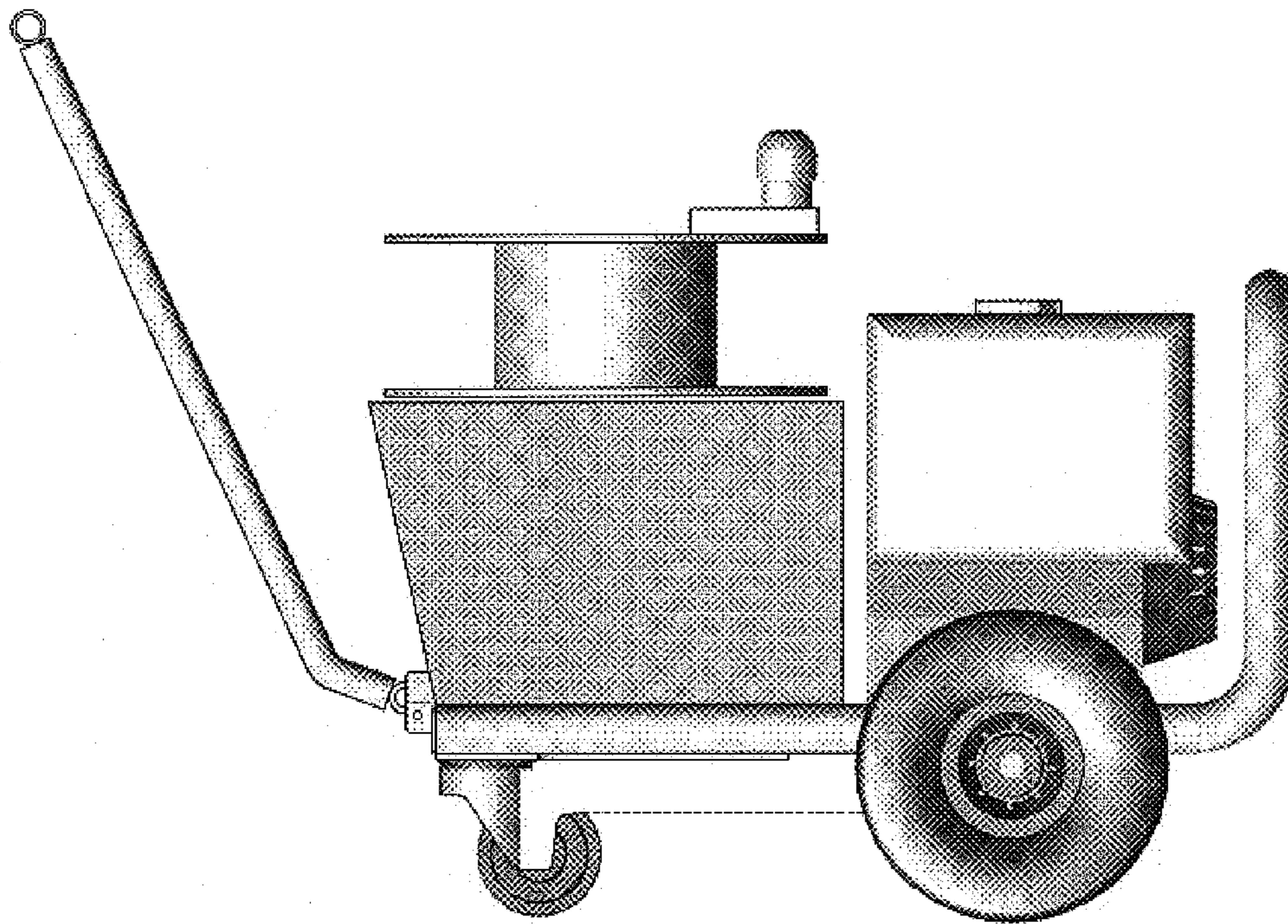


FIG. 5

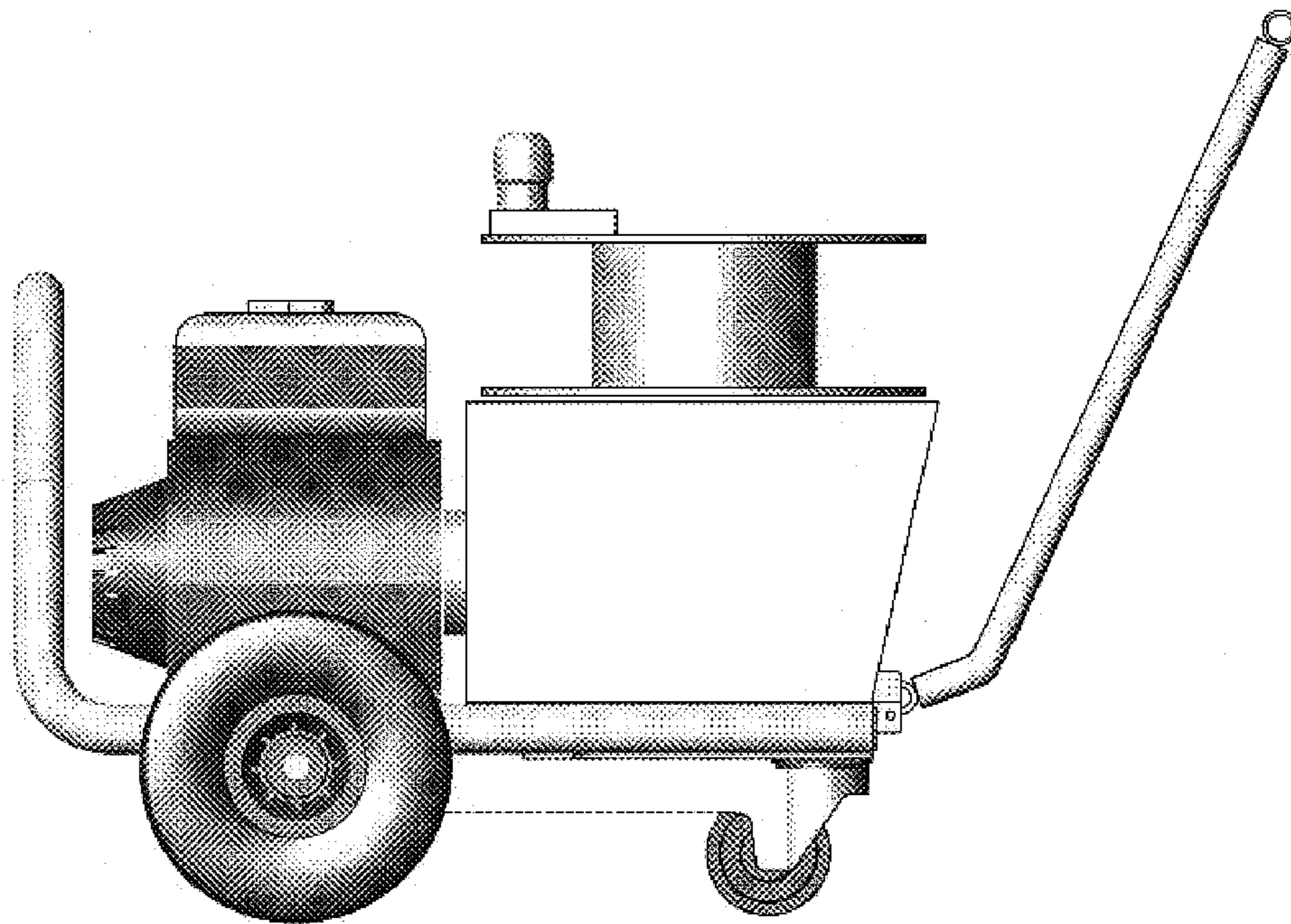


FIG. 6

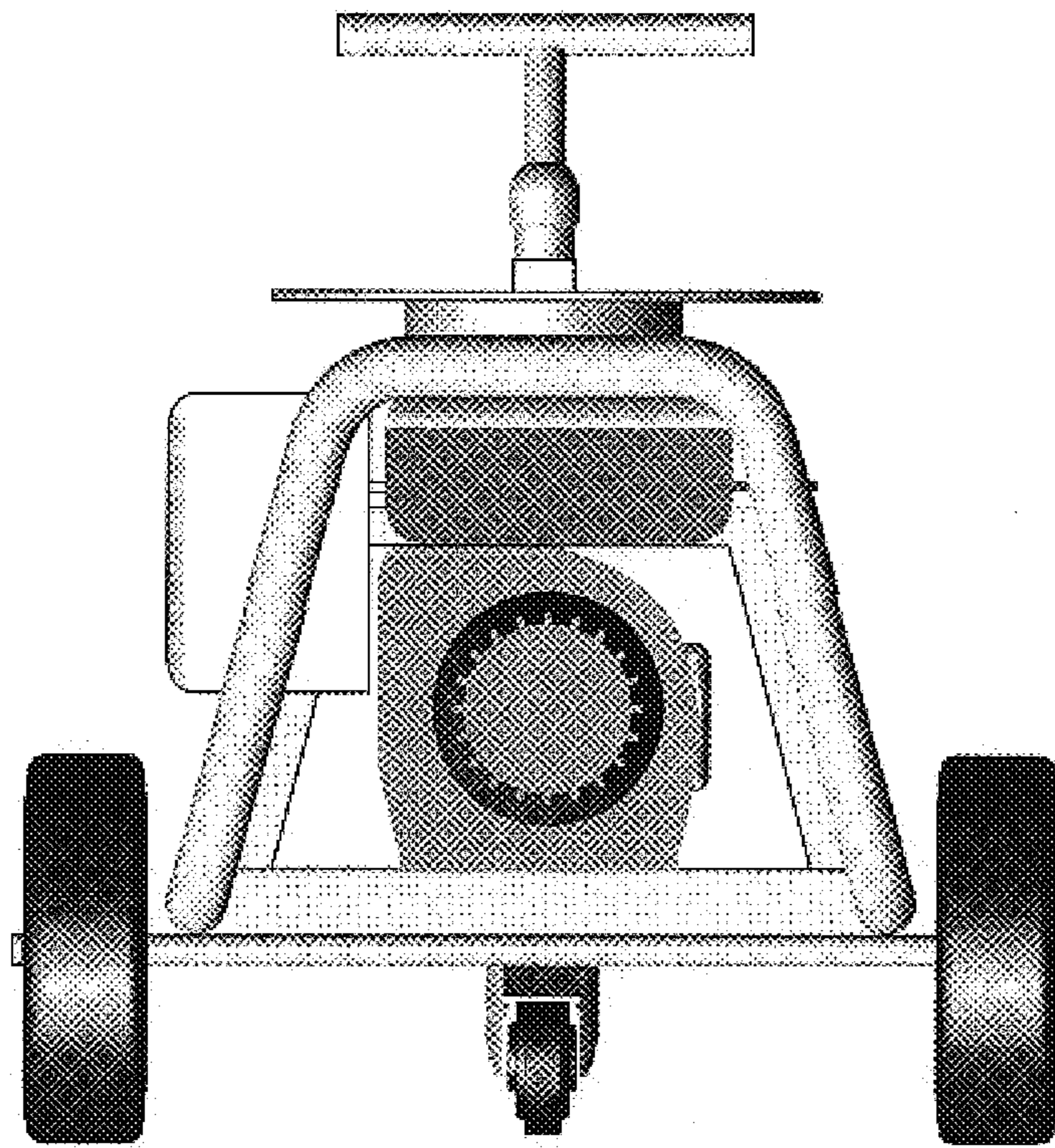


FIG. 7