

US00D529669S

(12) **United States Design Patent**  
**Blanc-Tailleur**

(10) **Patent No.:** **US D529,669 S**

(45) **Date of Patent:** **\*\* Oct. 3, 2006**

(54) **SWIMMING POOL CLEANER ROBOT**

FOREIGN PATENT DOCUMENTS

(75) Inventor: **Phillipe Blanc-Tailleur**, Toulouse (FR)

FR 892299 3/1990

FR 901465 9/1990

(73) Assignee: **Zodiac Pool Care Europe SAS** (FR)

FR 903474 10/1990

FR 96-3389 4/1997

(\*\*) Term: **14 Years**

WO DM/039 680 12/1996

WO DM/065 762 8/2004

(21) Appl. No.: **29/228,949**

OTHER PUBLICATIONS

(22) Filed: **Apr. 29, 2005**

U.S. Appl. No. 29/213,226, filed Sep. 15, 2005, Blanc-Tailleur.

(30) **Foreign Application Priority Data**

Mar. 21, 2005 (EM) ..... 313887

\* cited by examiner

(51) **LOC (8) Cl.** ..... **15-05**

*Primary Examiner*—Ruth McInroy

(52) **U.S. Cl.** ..... **D32/1**

(74) *Attorney, Agent, or Firm*—Dean W. Russell; Kilpatrick Stockton LLP

(58) **Field of Classification Search** ..... D32/1,  
D32/21, 31; 15/1.7, 49.1, 50.3, 319, 320–321,  
15/323, 327.1, 327.2, 327.3, 327.4, 327.6,  
15/327.7, 329, 340.1, 340.2, 347, 353, 383,  
15/405, 412; 210/169; 55/DIG. 3  
See application file for complete search history.

(57) **CLAIM**

I claim the ornamental design for a swimming pool cleaner robot, as shown and described.

**DESCRIPTION**

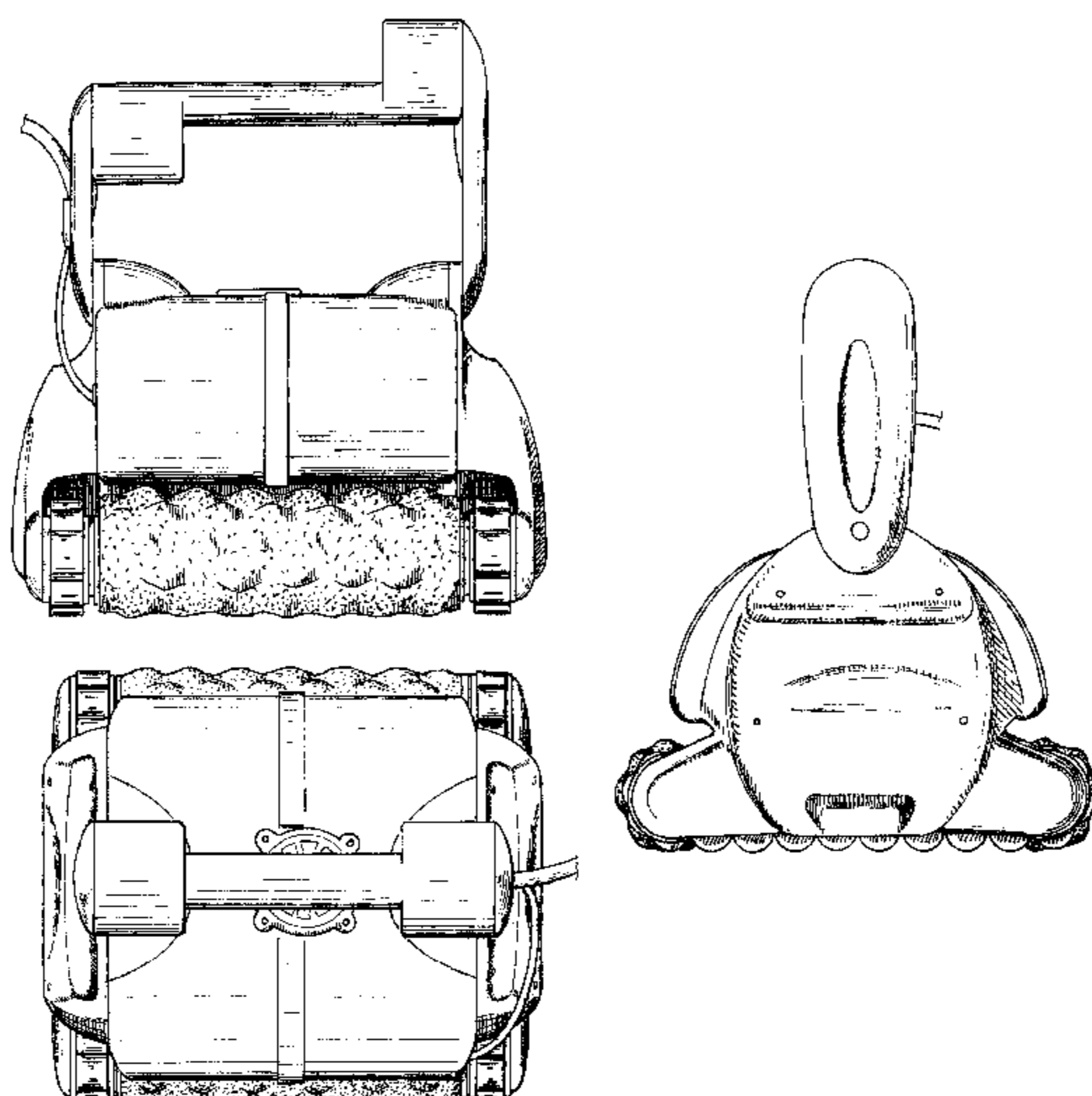
(56) **References Cited**

U.S. PATENT DOCUMENTS

5,351,355 A \* 10/1994 Chiniara ..... 15/1.7  
D373,230 S \* 8/1996 Sebor et al. .... D32/1  
D376,450 S \* 12/1996 Campbell et al. .... D32/1  
D408,104 S 4/1999 Adam  
D418,640 S 1/2000 Veloskey et al.  
D433,545 S 11/2000 Hollinger et al.  
6,212,725 B1 \* 4/2001 Porat ..... 15/1.7  
D443,737 S \* 6/2001 Rief et al. .... D32/15  
D444,280 S 6/2001 Rief et al.  
D445,225 S 7/2001 Schaub  
D469,589 S \* 1/2003 Wichmann et al. .... D32/15  
D471,330 S \* 3/2003 Campbell ..... D32/15  
6,627,074 B1 \* 9/2003 Lincke ..... 210/169  
6,842,931 B1 \* 1/2005 Porat et al. .... 15/1.7  
6,954,960 B1 10/2005 Pichon  
2002/0104790 A1 8/2002 Lincke  
2004/0025268 A1 2/2004 Porat et al.  
2005/0262652 A1 \* 12/2005 Sumonthee ..... 15/1.7

FIG. 1 is a front view of the new design for a swimming pool cleaner robot;  
FIG. 2 is a back view of the new design for a swimming pool cleaner robot;  
FIG. 3 is a top view of the new design for a swimming pool cleaner robot;  
FIG. 4 is a bottom view of the new design for a swimming pool cleaner robot;  
FIG. 5 is a right side view of the new design for a swimming pool cleaner robot;  
FIG. 6 is a left side view of the new design for a swimming pool cleaner robot;  
FIG. 7 is a perspective view of the new design for a swimming pool cleaner robot; and,  
FIG. 8 is a perspective view thereof, showing the handle in an alternate position.

**1 Claim, 8 Drawing Sheets**



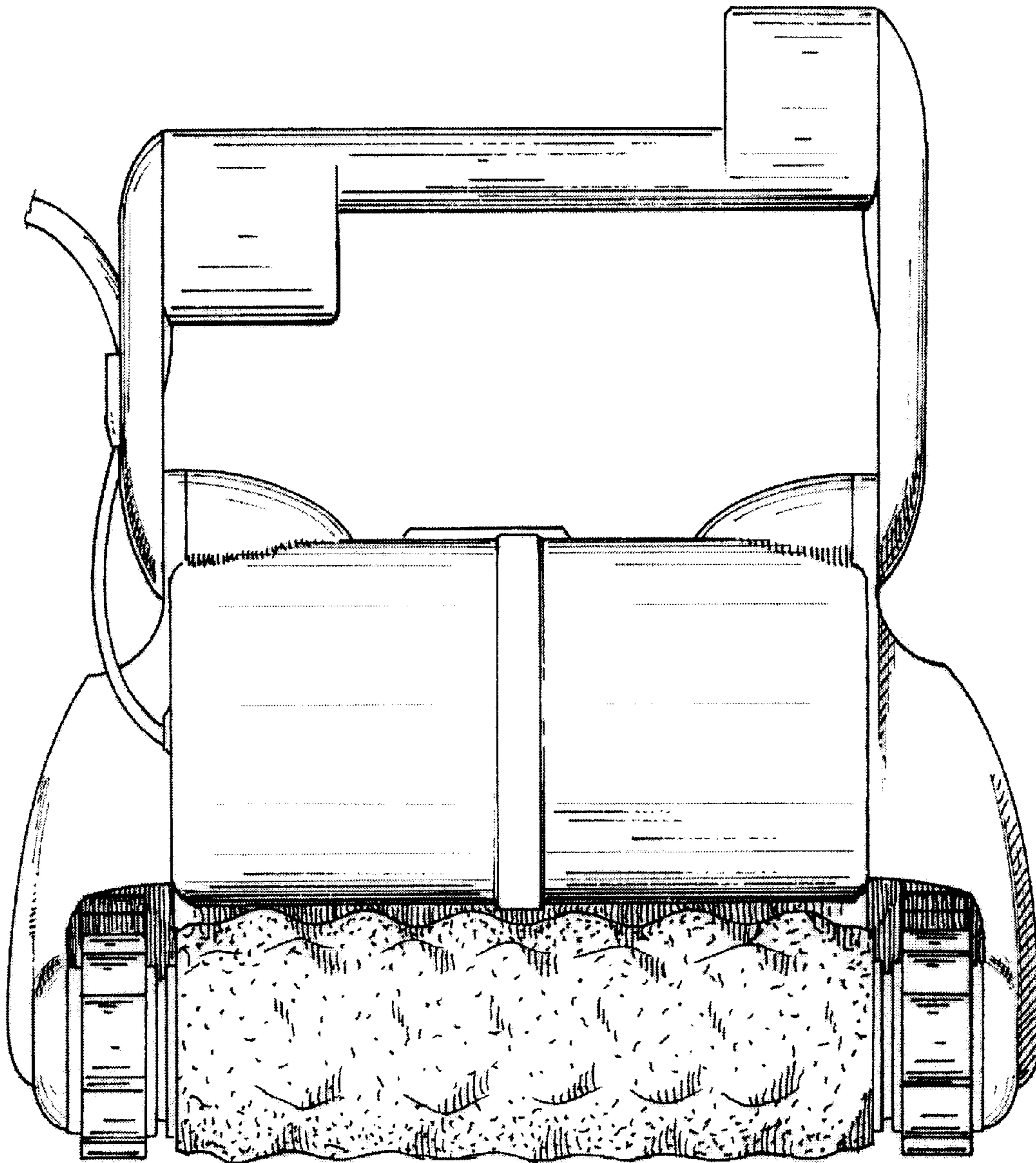


Fig. 1

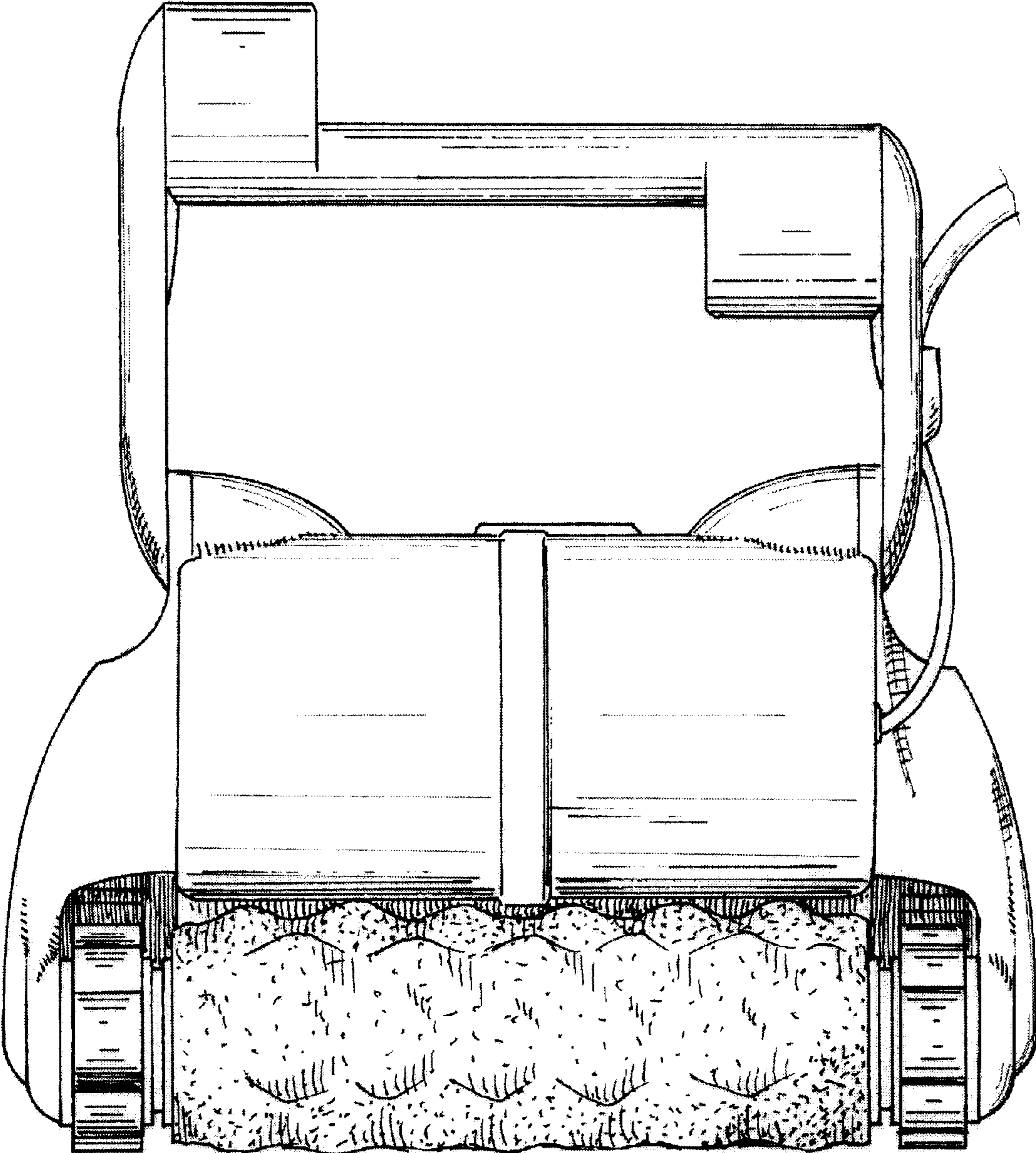


Fig. 2

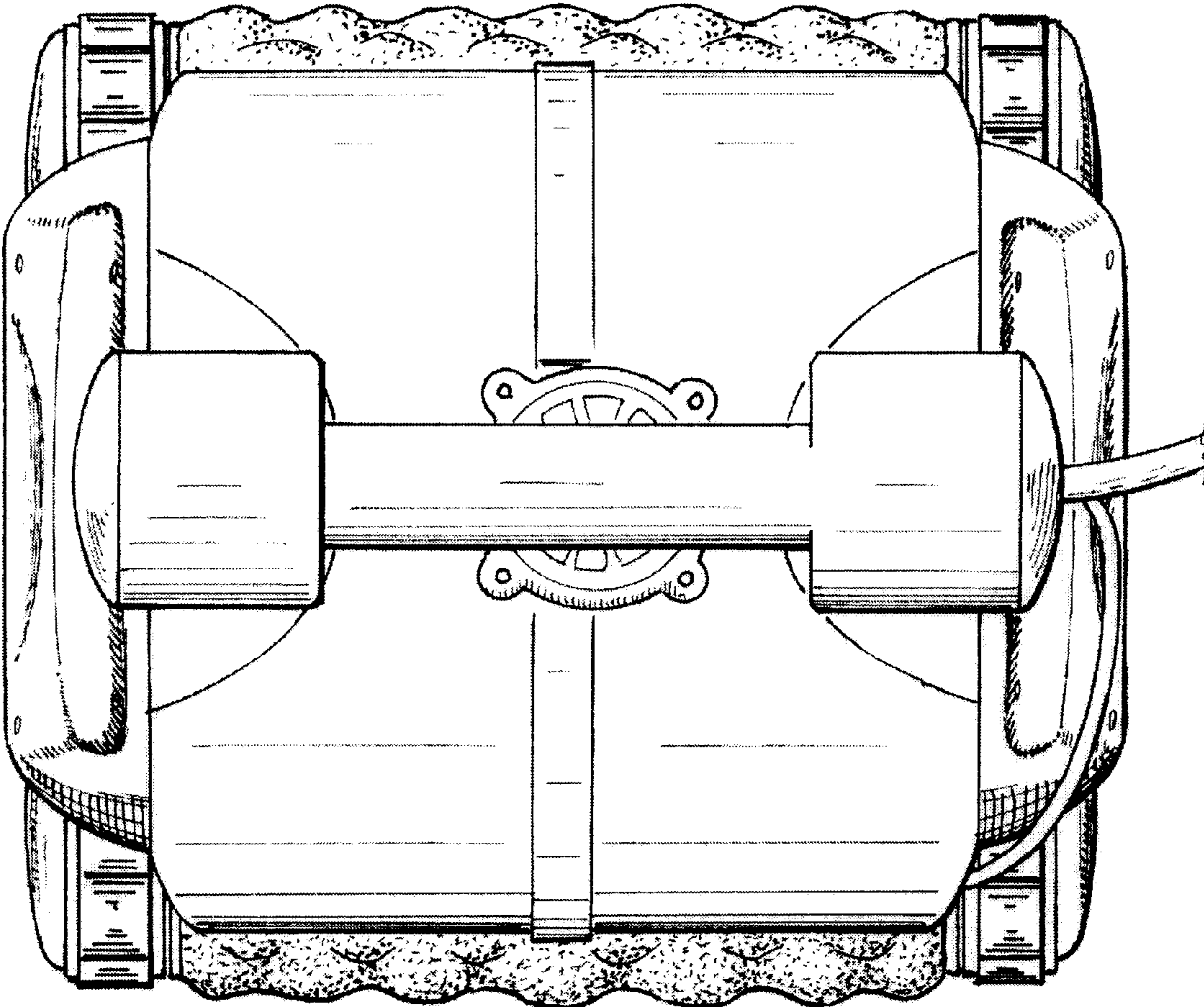


Fig. 3

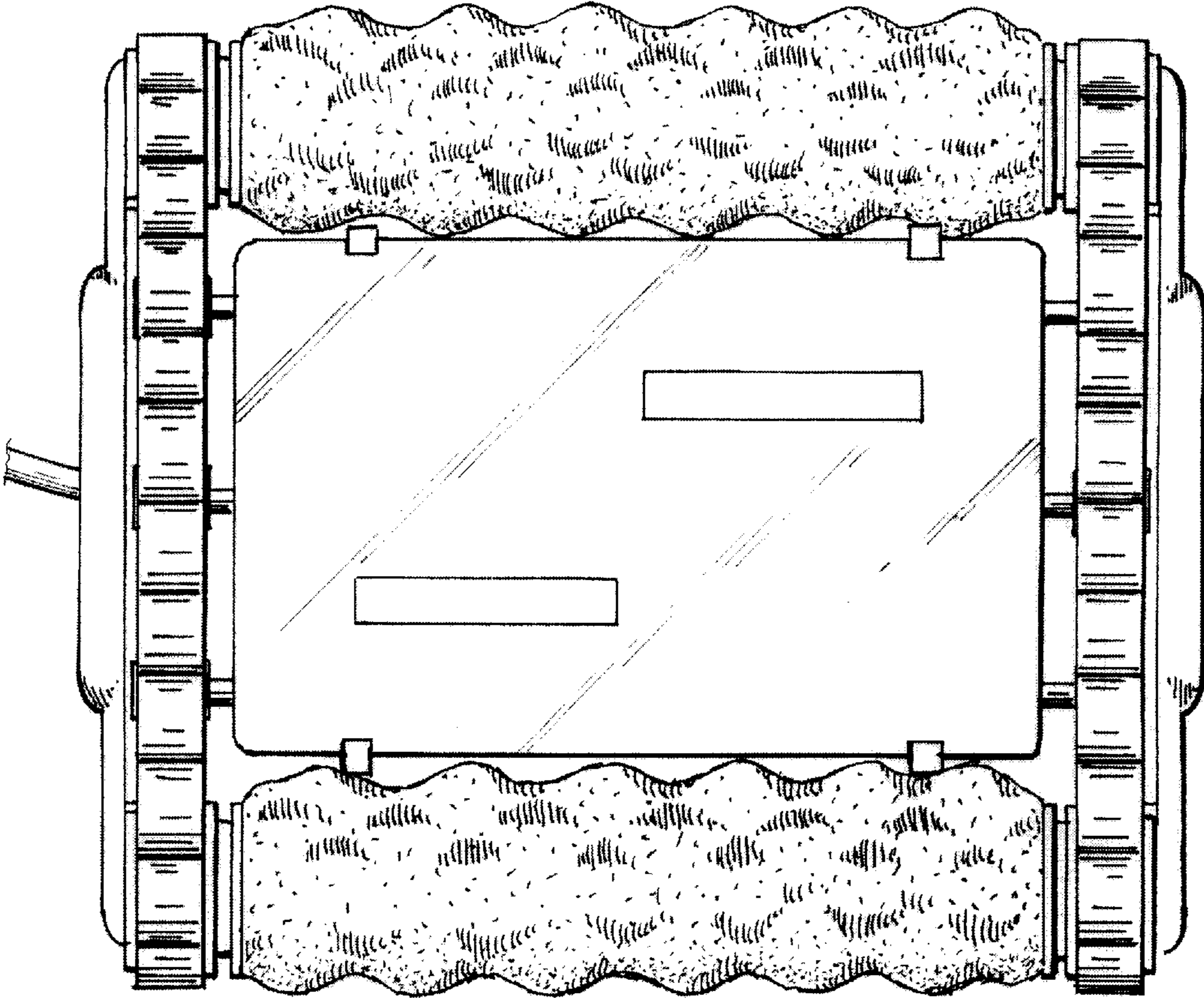


Fig. 4

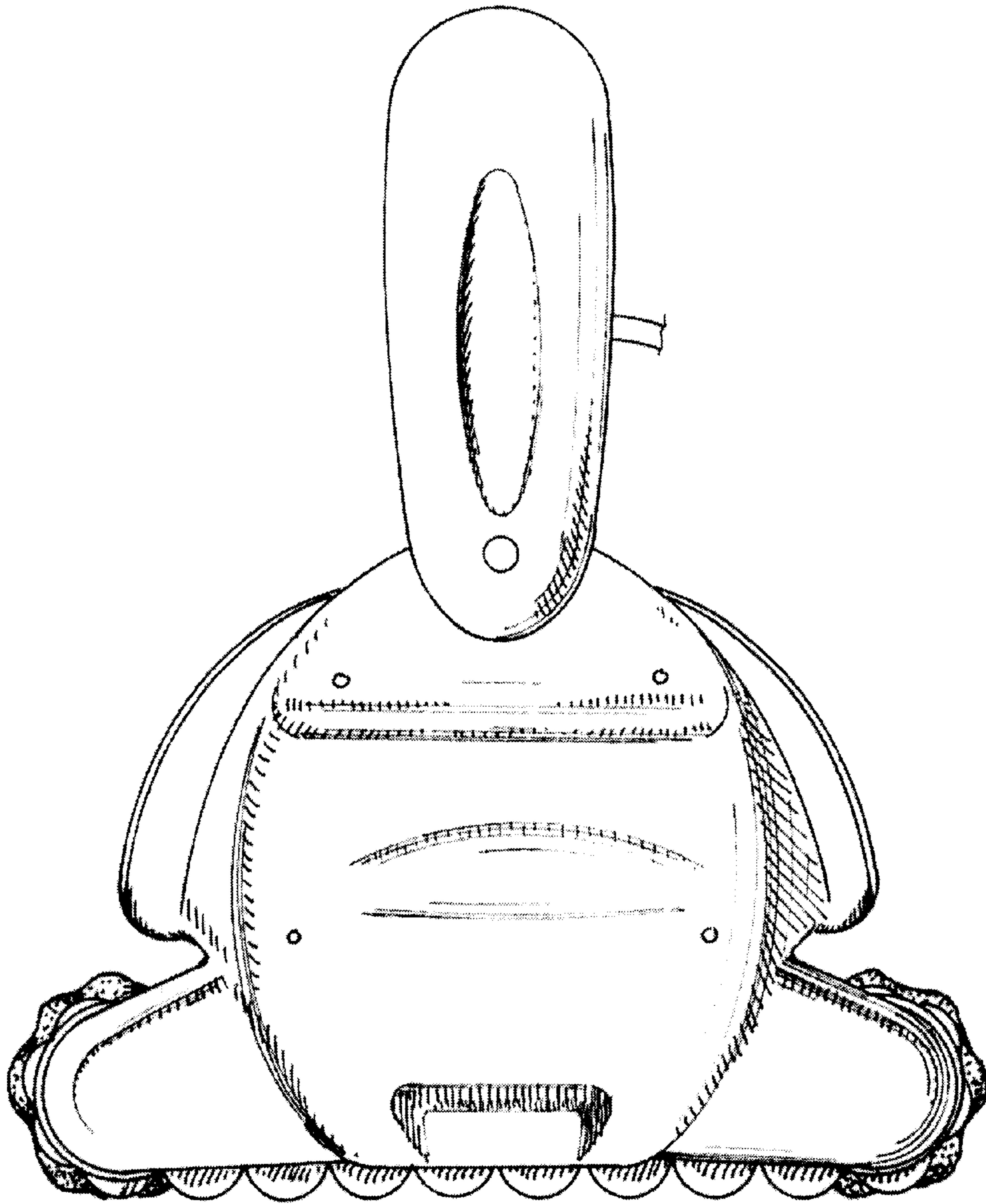


Fig. 5

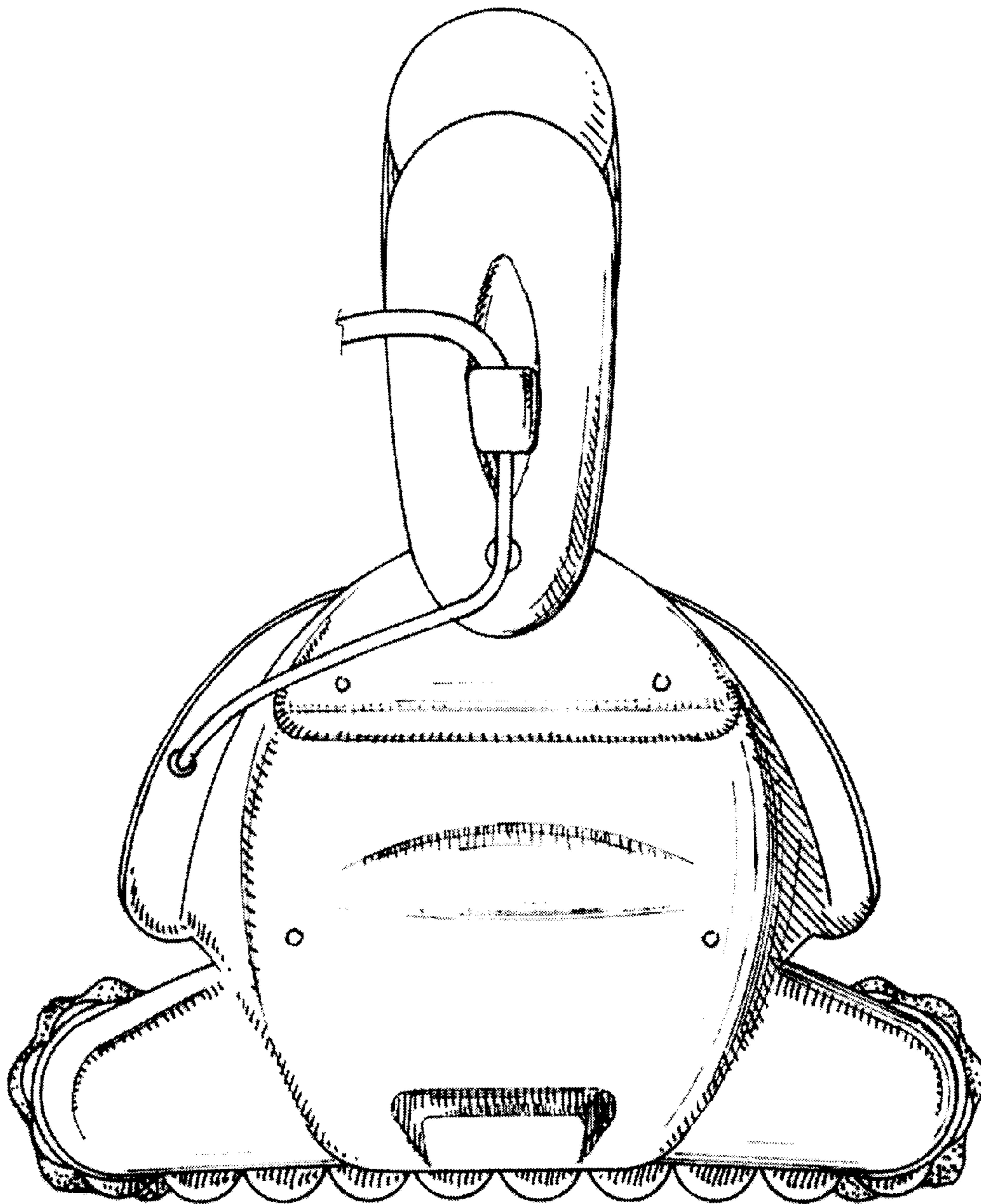


Fig. 6

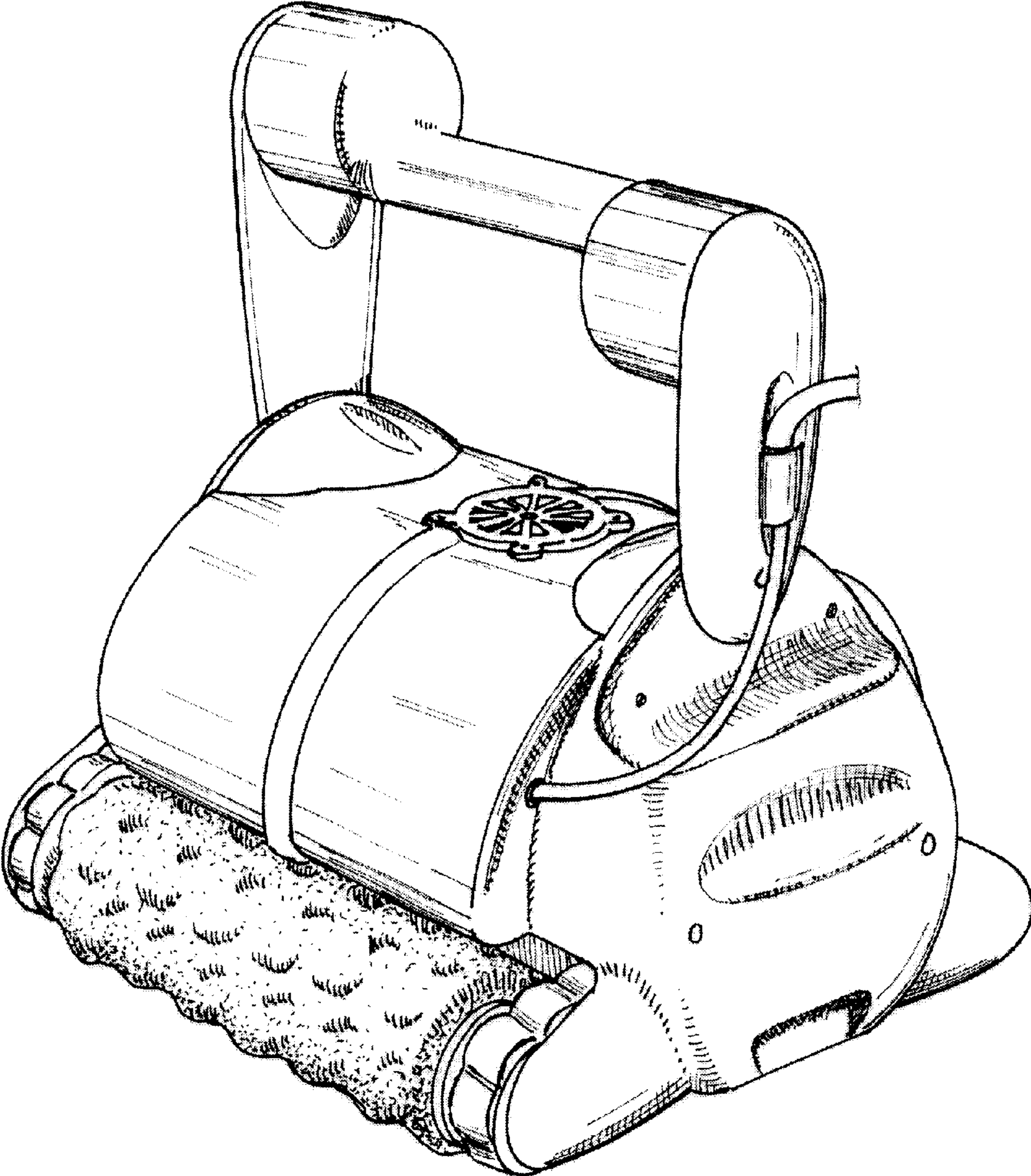


Fig. 7



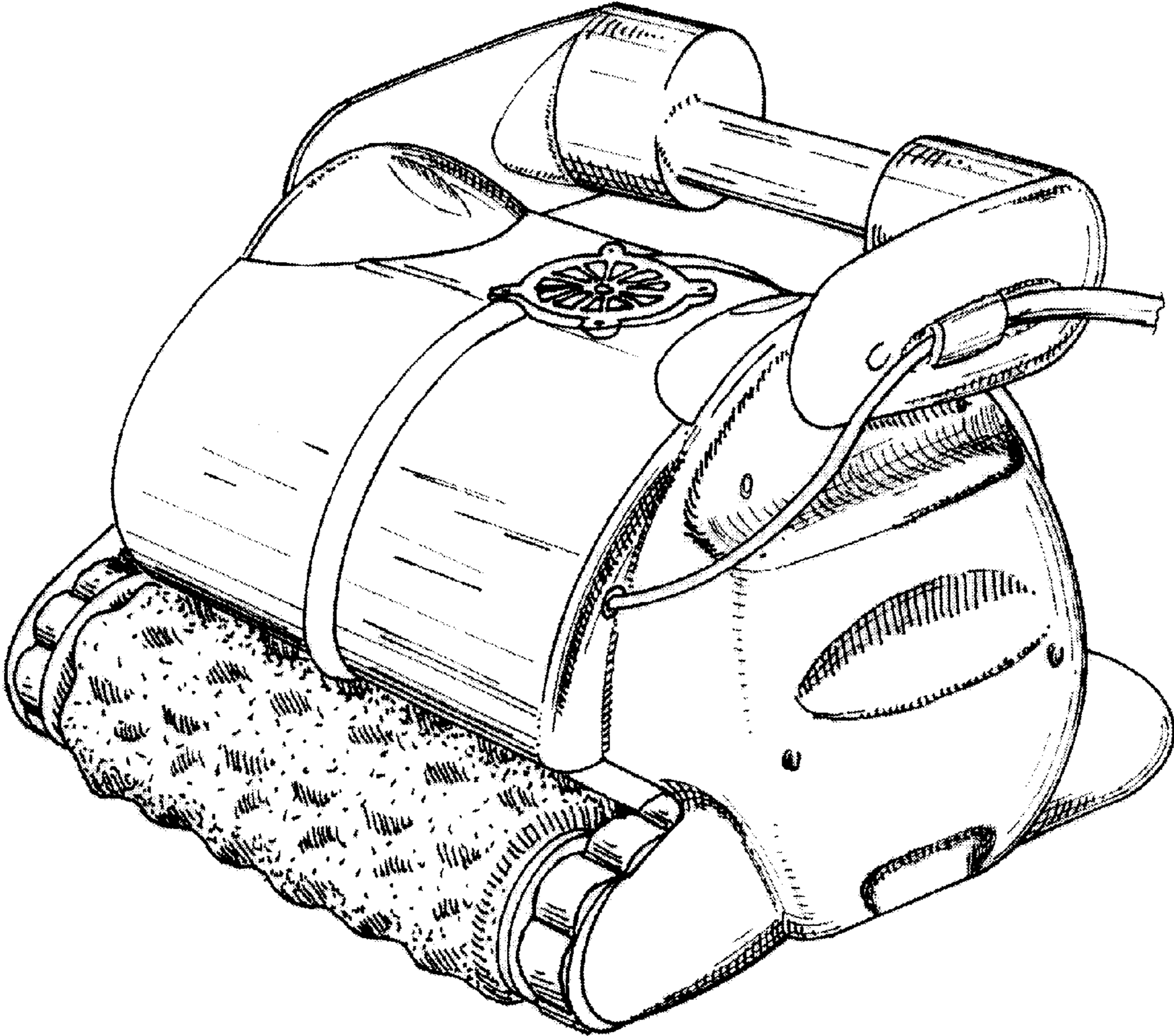


Fig. 8