



US00D529666S

(12) **United States Design Patent**
Simpson et al.

(10) **Patent No.:** **US D529,666 S**

(45) **Date of Patent:** **** Oct. 3, 2006**

(54) **PET HOME**

(76) Inventors: **Jeffrey M. Simpson**, 381 Oak Ridge Dr., Auburn, AL (US) 36830; **Mark A. Haley**, 140 Washington Rd., Asheville, NC (US) 28801

(**) **Term:** **14 Years**

(21) **Appl. No.:** **29/236,035**

(22) **Filed:** **Aug. 10, 2005**

Related U.S. Application Data

(62) Division of application No. 29/203,474, filed on Apr. 14, 2004, now Pat. No. Des. 512,799.

(51) **LOC (8) Cl.** **30-02**

(52) **U.S. Cl.** **D30/108**

(58) **Field of Classification Search** D30/108-112, D30/114-118, 161; D3/268; 119/161, 163-170, 119/416-420, 428-430, 433, 435, 452-453, 119/459-460, 462-464, 467, 475, 482, 496-497, 119/311, 329, 28.5

See application file for complete search history.

(56) **References Cited**

U.S. PATENT DOCUMENTS

2,079,458 A	5/1937	Leichtfuss	
D129,108 S	* 8/1941	Sprague D30/109
D168,650 S	1/1953	McKee	
2,678,628 A	5/1954	Williams	
D193,769 S	10/1962	Kerr et al.	
4,484,540 A	11/1984	Yamamoto	
4,527,512 A	7/1985	Sugiura	
D282,880 S	3/1986	Barati	

5,078,096 A	1/1992	Bishop et al.	
5,154,137 A	10/1992	Stanaland	
5,357,900 A	10/1994	Ho	
5,503,107 A	* 4/1996	Satcher et al. 119/496
D426,680 S	6/2000	Morley	
6,076,485 A	* 6/2000	Peeples et al. 119/497
D445,222 S	7/2001	Ross	
6,427,631 B1	* 8/2002	Ross 119/496
6,446,577 B1	9/2002	Salahor	
6,460,486 B1	10/2002	Powers et al.	
6,581,545 B1	6/2003	Foster	
6,715,446 B1	4/2004	Chou	
6,832,580 B1	12/2004	Marchioro	
2004/0244716 A1	12/2004	Simpson et al.	

* cited by examiner

Primary Examiner—Cathy Anne MacCormac
(74) *Attorney, Agent, or Firm*—Gardner Groff Santos & Greenwald, P.C.

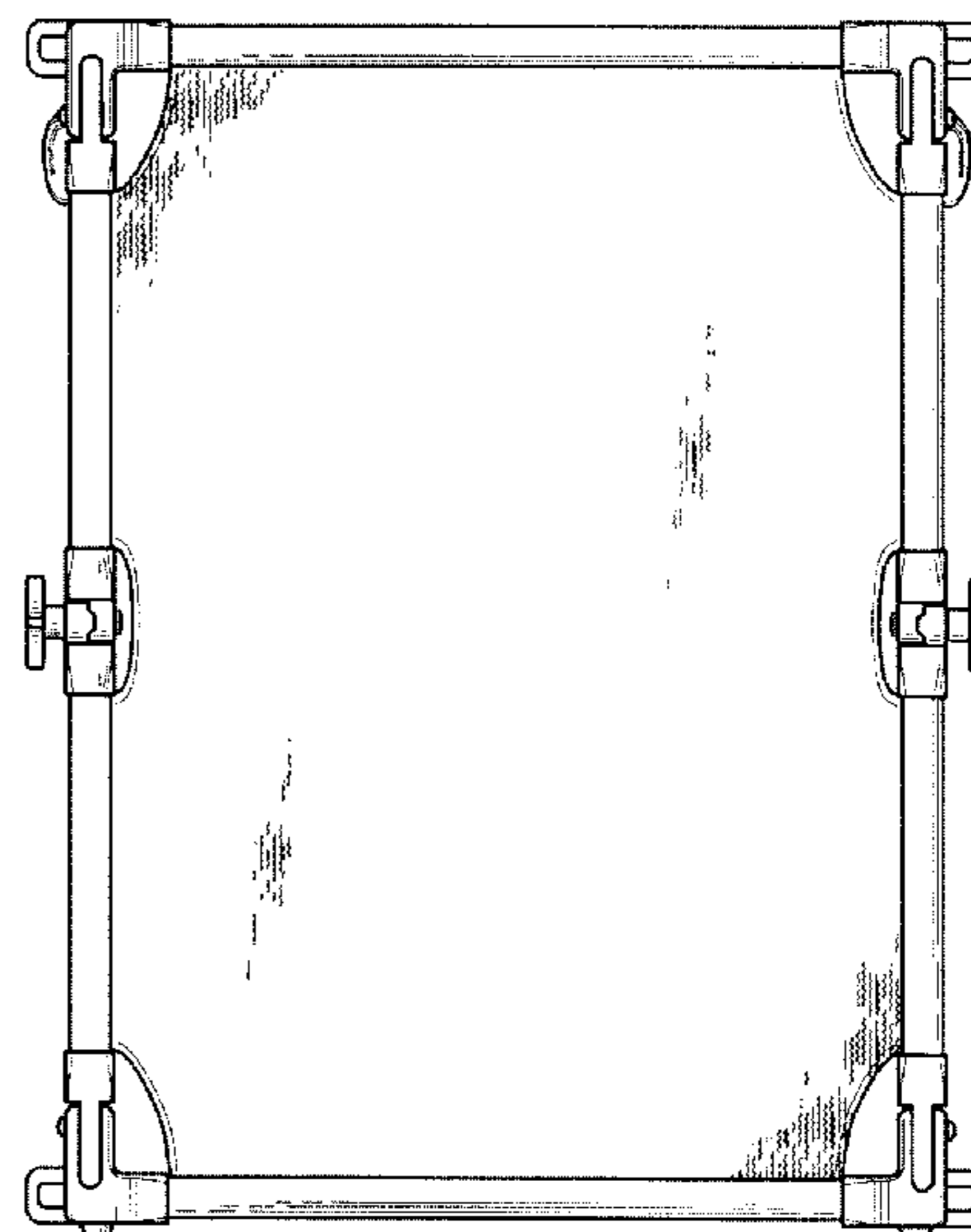
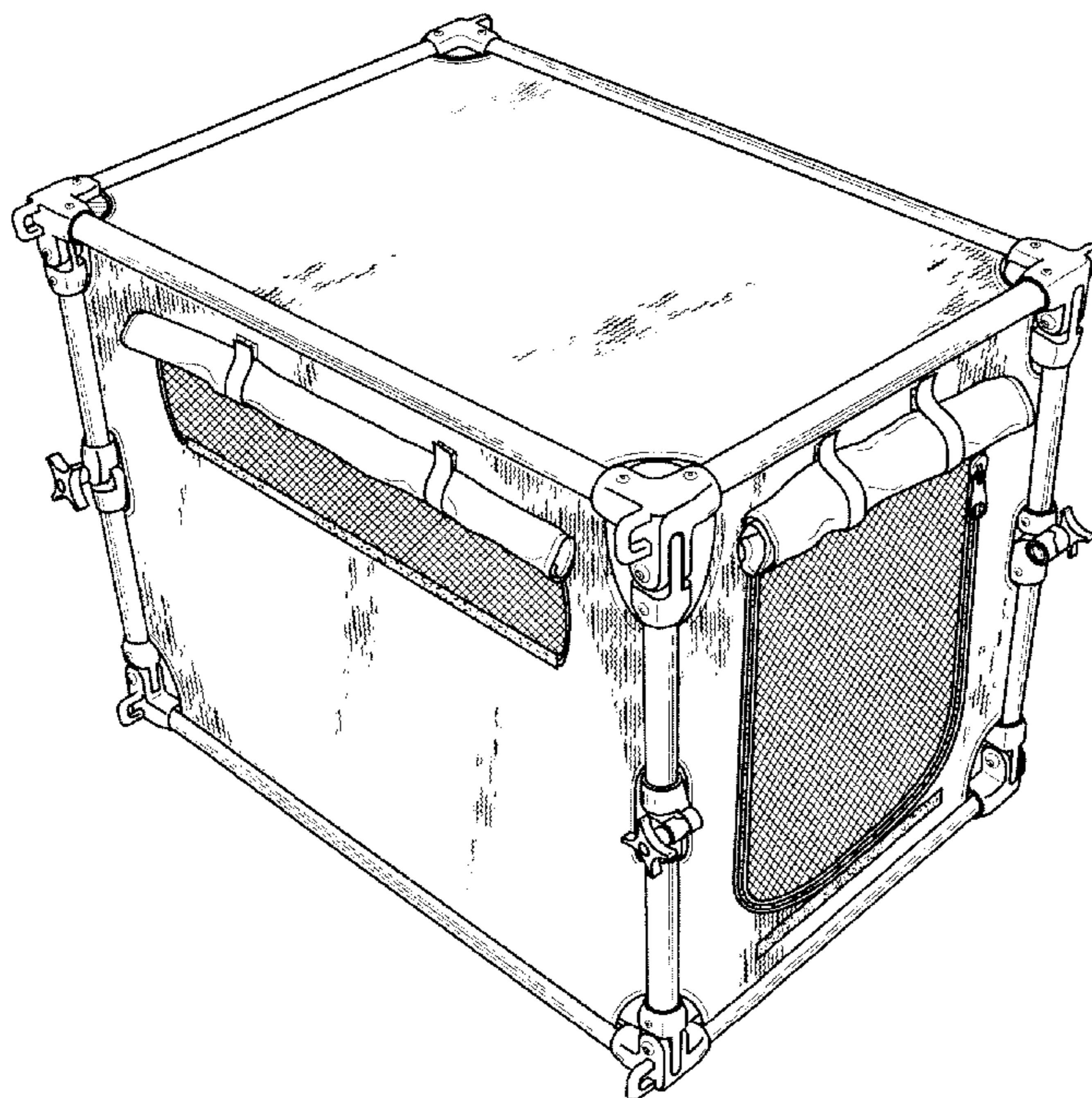
(57) **CLAIM**

The ornamental design for a pet home, as shown and described.

DESCRIPTION

FIG. 1 is a perspective view of a pet home according to the design;
FIG. 2 is a front view thereof;
FIG. 3 is a rear view thereof;
FIG. 4 is a side view thereof, the opposing side is a mirror image;
FIG. 5 is a top view thereof; and,
FIG. 6 is a bottom view thereof.
Portions of the structure represented in the drawings by broken lines are not considered part of the claimed design.

1 Claim, 4 Drawing Sheets



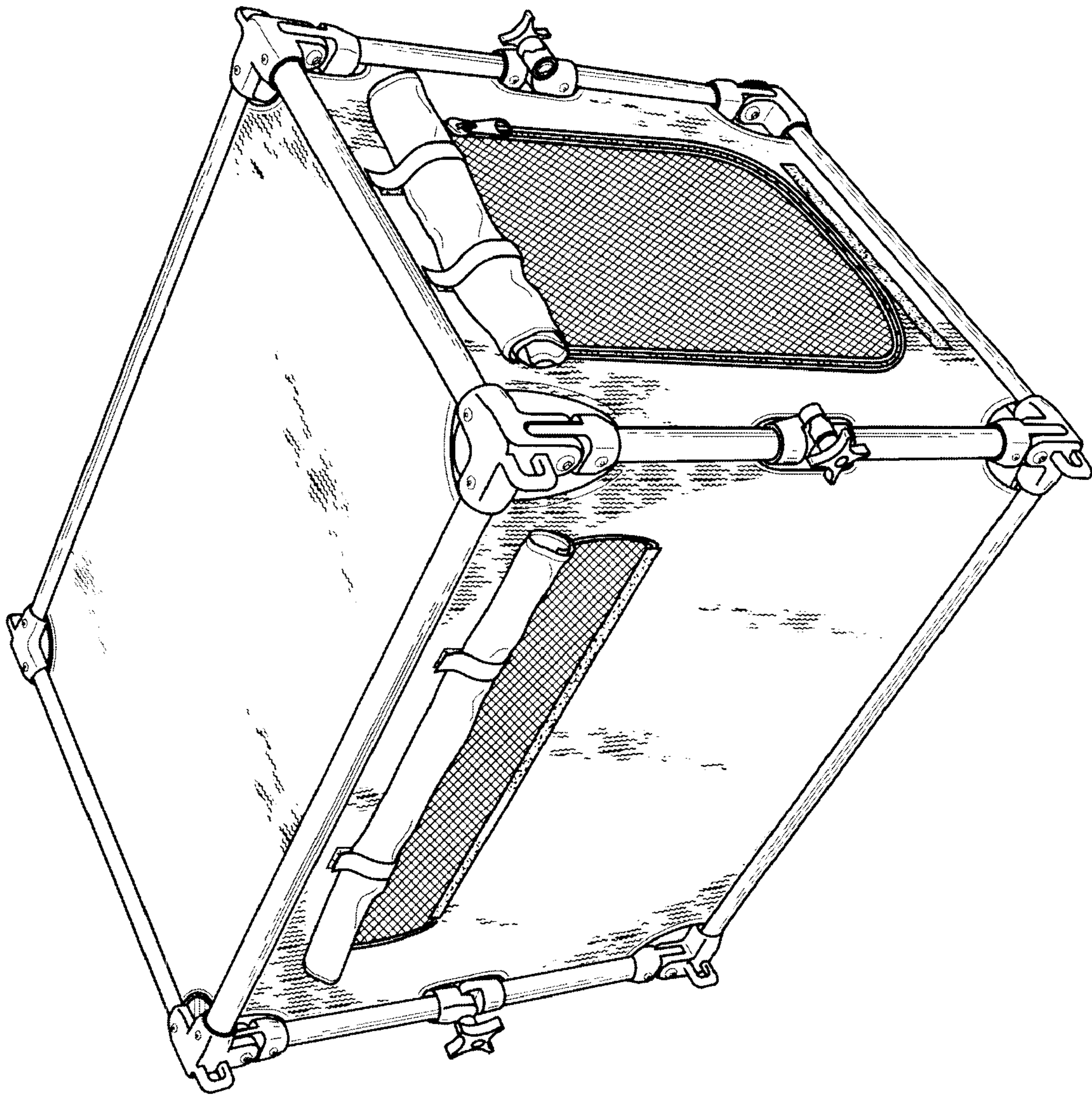


Fig. 1

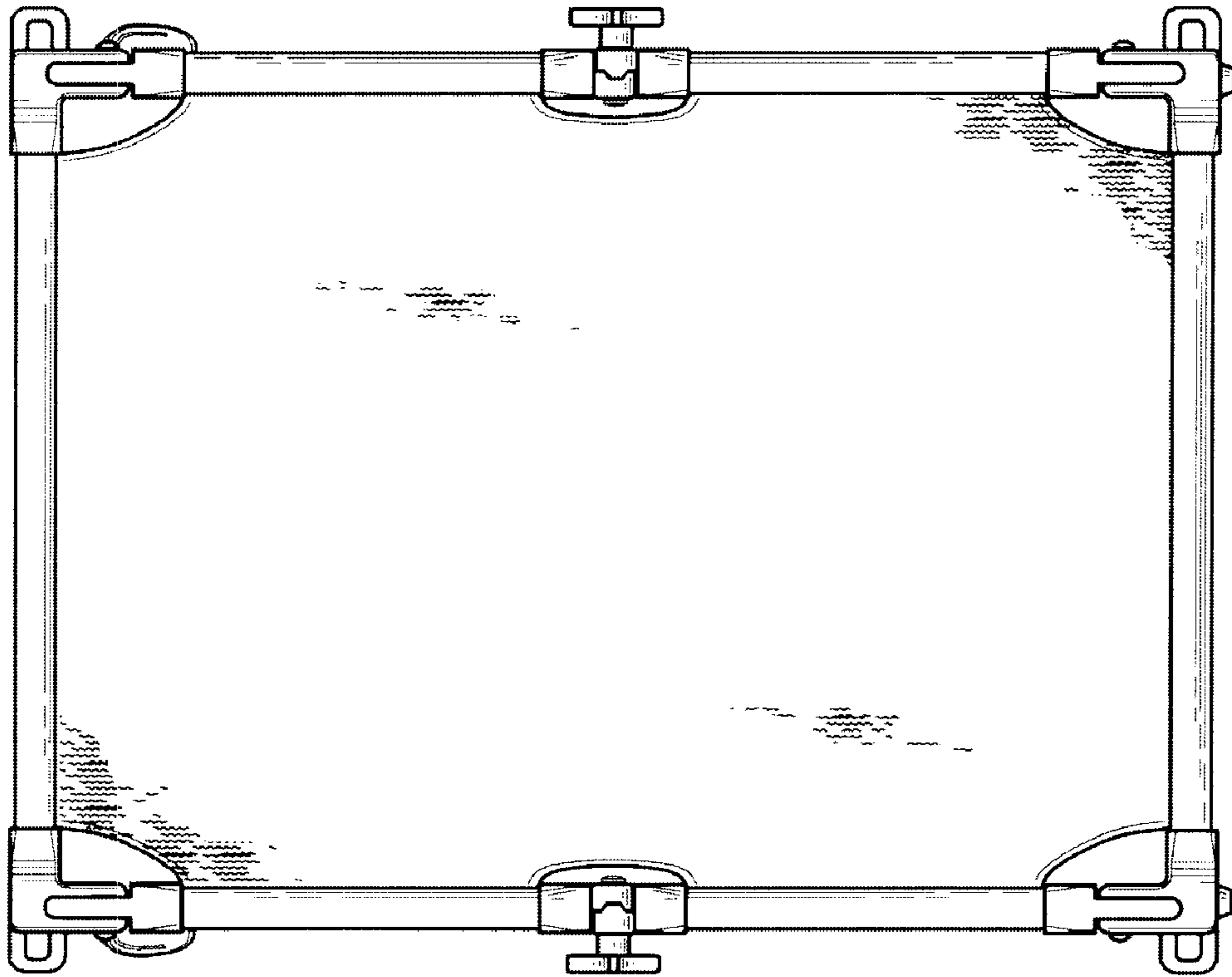


Fig. 1

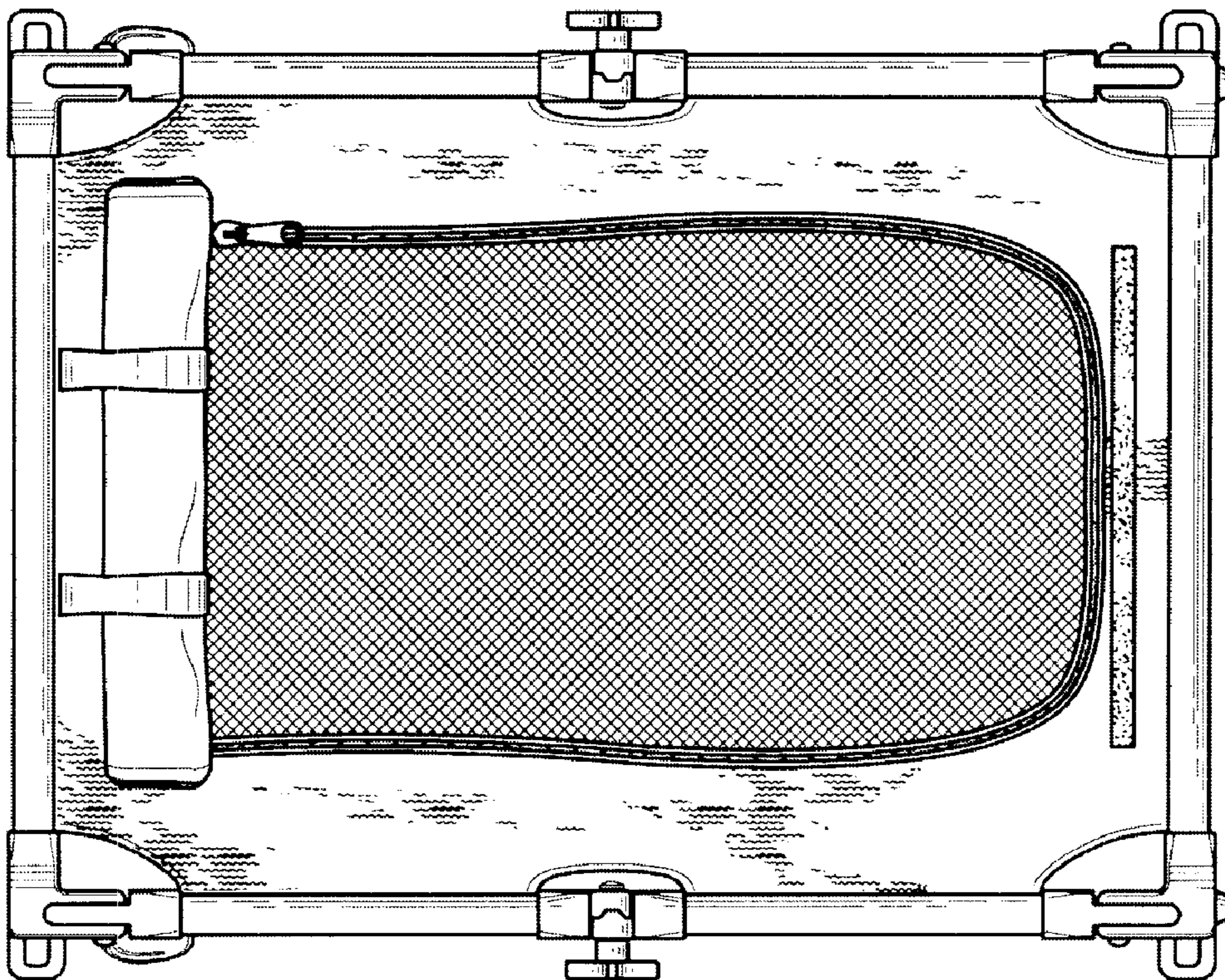


Fig. 2

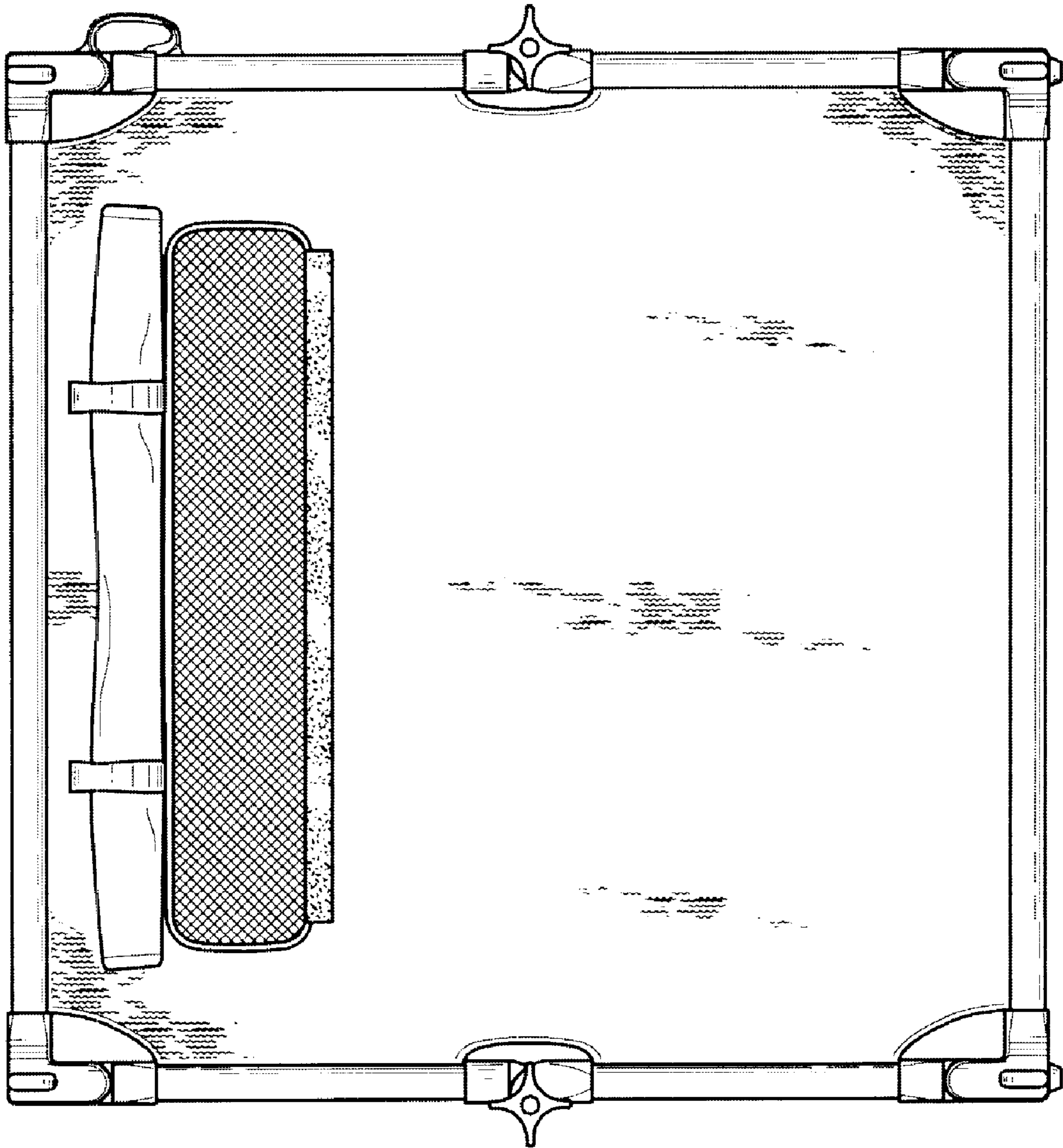


Fig. 4

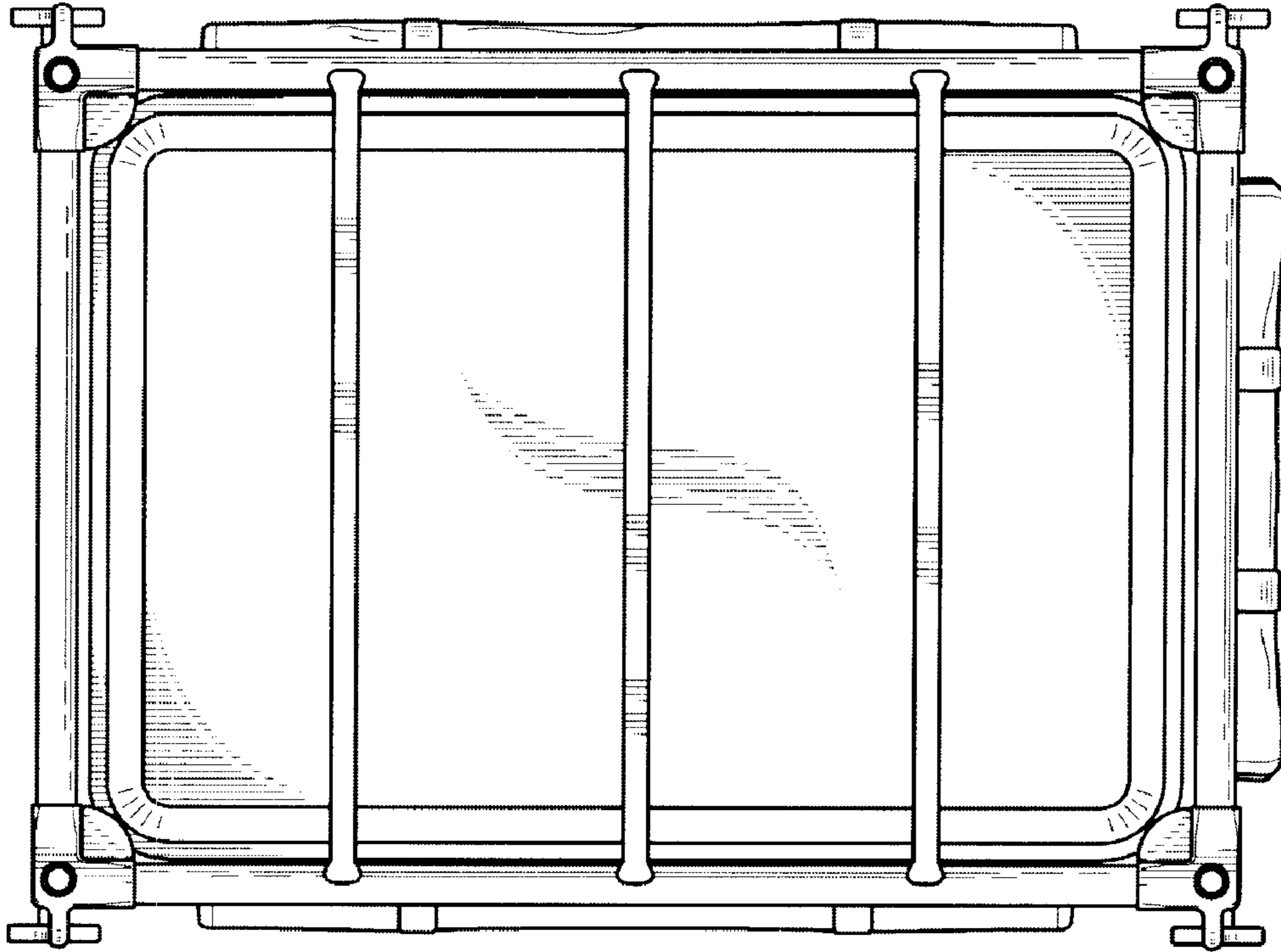


Fig. 6

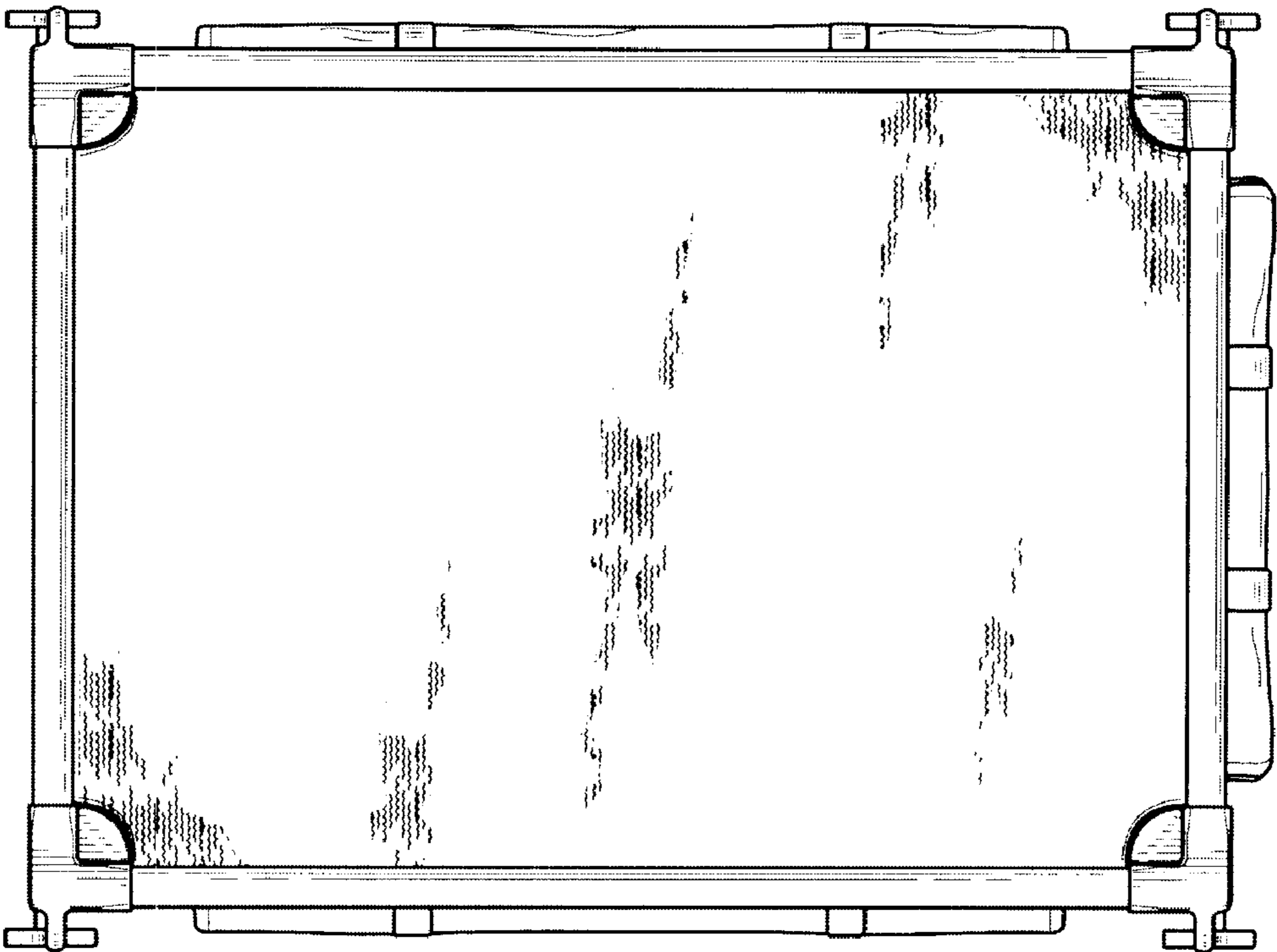


Fig. 5