

US00D529655S

(12) **United States Design Patent**
Allsop et al.

(10) **Patent No.:** **US D529,655 S**

(45) **Date of Patent:** **** Oct. 3, 2006**

(54) **YARD LIGHT**

(75) Inventors: **James D. Allsop**, Bellingham, WA
(US); **Eivind Clausen**, Bellingham, WA
(US); **Jamey J. Allsop**, Bellingham,
WA (US)

(73) Assignee: **Allsop, Inc.**, Bellingham, WA (US)

(**) Term: **14 Years**

(21) Appl. No.: **29/204,433**

(22) Filed: **Apr. 29, 2004**

(51) **LOC (8) Cl.** **26-05**

(52) **U.S. Cl.** **D26/68**

(58) **Field of Classification Search** D26/67-71;
D13/102; 362/183, 192, 285, 287, 288, 362,
362/363, 153, 431, 418, 152

See application file for complete search history.

(56) **References Cited**

U.S. PATENT DOCUMENTS

D201,826 S	*	8/1965	Deskay et al.	D26/68
3,317,809 A		5/1967	Bowers et al.	
4,281,369 A		7/1981	Batte	
4,486,820 A		12/1984	Baba et al.	
4,816,970 A		3/1989	Garcia, Jr.	
4,835,664 A		5/1989	Wen	
4,841,416 A		6/1989	Doss	
D348,944 S	*	7/1994	Shalvi	D26/67
D353,014 S		11/1994	Elazari	
D374,497 S	*	10/1996	Shalvi	D26/68

5,564,816 A		10/1996	Arcadia et al.	
6,060,658 A		5/2000	Yoshida et al.	
6,402,338 B1	*	6/2002	Mitzel et al.	362/154
6,517,217 B1		2/2003	Liao	
D471,307 S	*	3/2003	Yung	D26/67
D482,482 S	*	11/2003	Schreder	D26/71
6,820,995 B1	*	11/2004	Lin	362/183
2003/0161140 A1		8/2003	Pinto et al.	
2006/0012978 A1	*	1/2006	Allsop et al.	362/183

FOREIGN PATENT DOCUMENTS

GB 2115915 A 9/1983

* cited by examiner

Primary Examiner—Clare E Heflin

(74) *Attorney, Agent, or Firm*—Black Lowe & Graham,
PLLC

(57) **CLAIM**

We claim the ornamental design of the yard light, as shown and described.

DESCRIPTION

FIG. 1 is a full side view of the yard light showing our new design;

FIG. 2 is an isometric view thereof with the vertical support being shown broken away for illustrative purposes only;

FIG. 3 is a bottom view thereof; and,

FIG. 4 is a top view thereof.

The broken lines shown on the drawings are for illustrative purposes only and form no part of the claimed design.

1 Claim, 4 Drawing Sheets

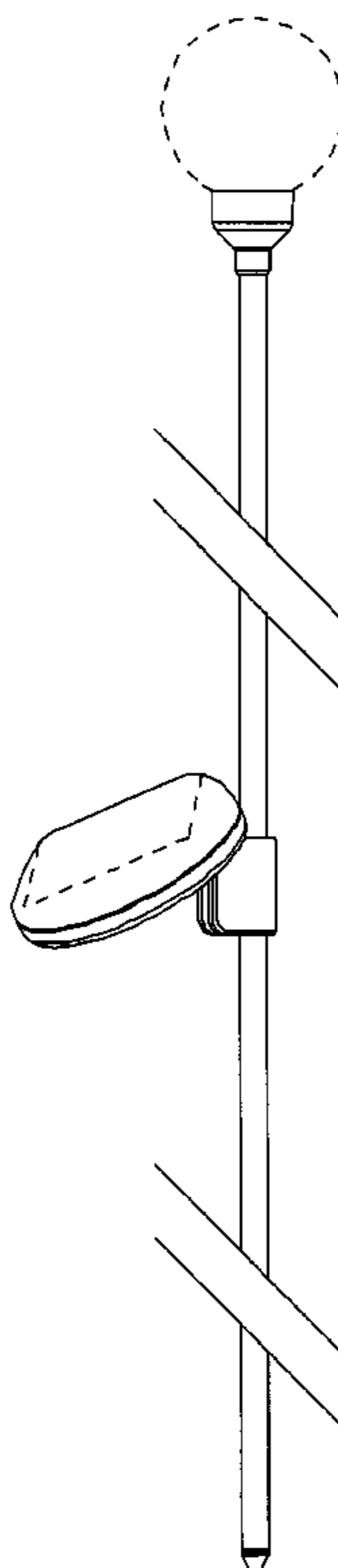


Fig. 1

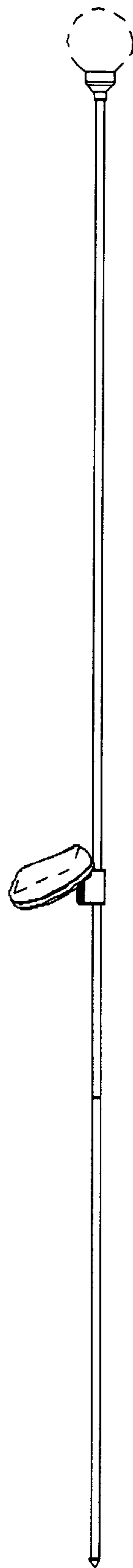


Fig. 2

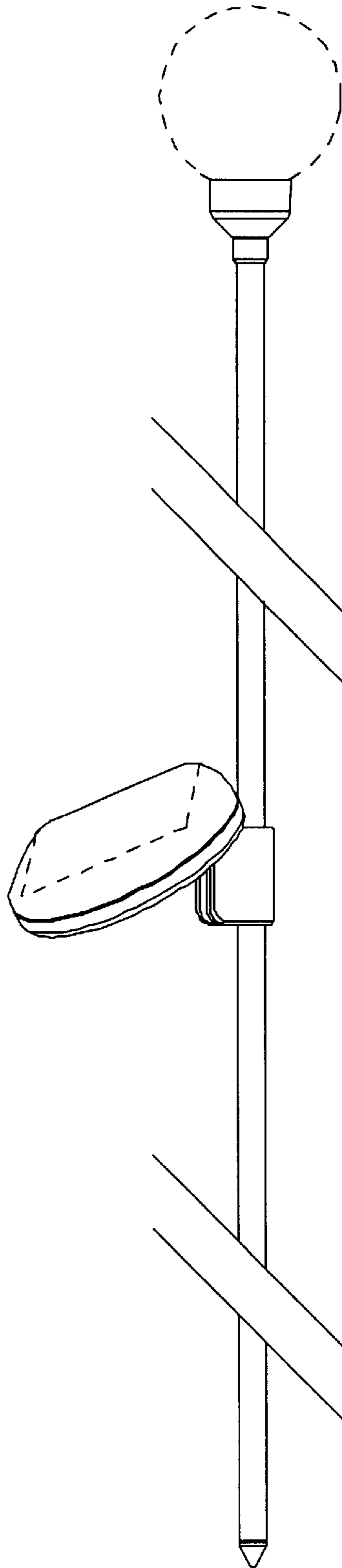


Fig. 3

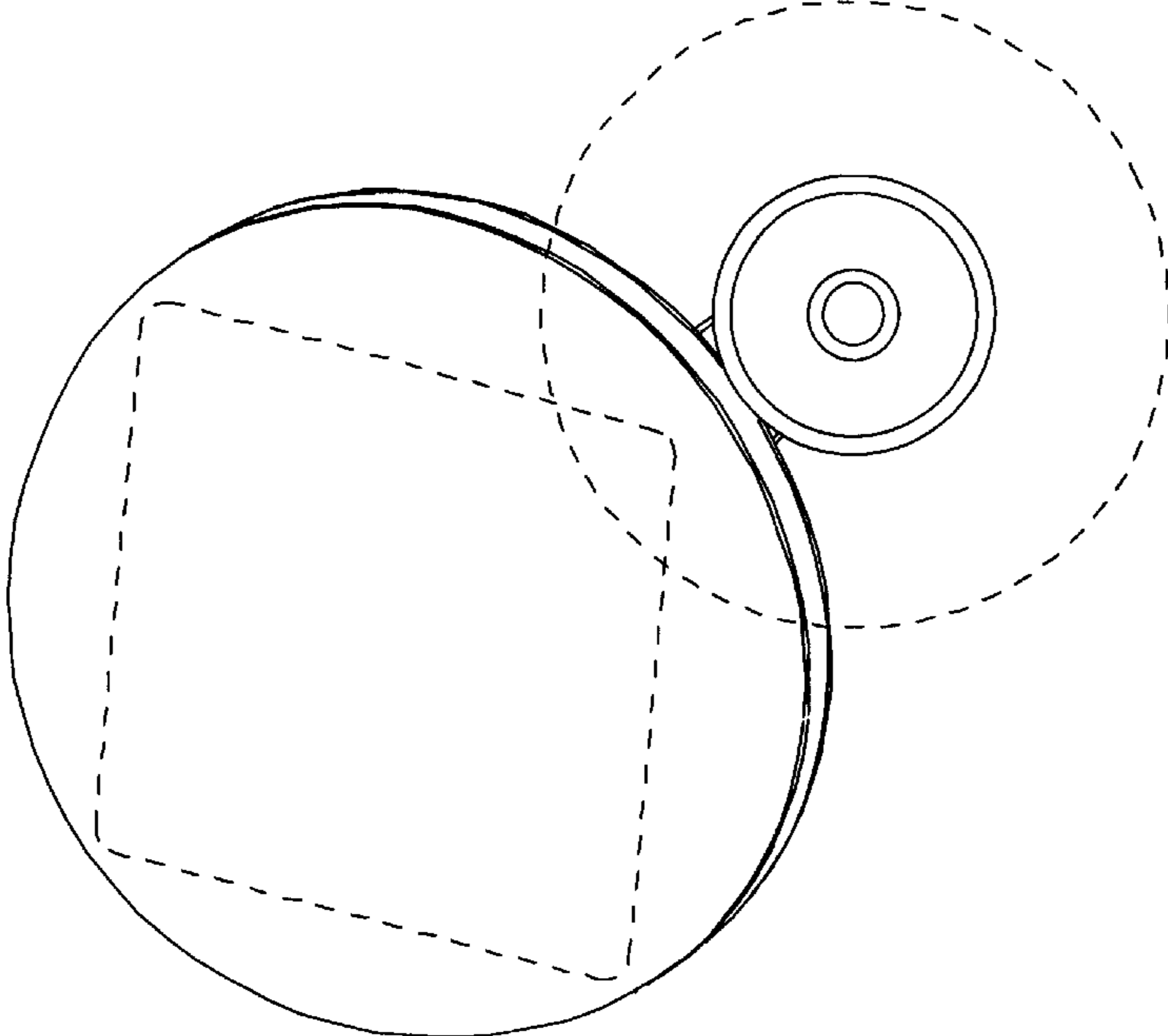


Fig. 4

