



US00D529652S

(12) **United States Design Patent**  
**Hon et al.**

(10) **Patent No.:** **US D529,652 S**  
(45) **Date of Patent:** **\*\* Oct. 3, 2006**

(54) **SOLAR POWERED OUTDOOR LIGHT**

(75) Inventors: **Siu Cheong Hon**, Tseung Kwan (HK);  
**Brian Wood**, McKinney, TX (US)

(73) Assignee: **The Brinkmann Corporation**, Dallas,  
TX (US)

(\*\*) Term: **14 Years**

(21) Appl. No.: **29/225,067**

(22) Filed: **Mar. 8, 2005**

(51) **LOC (8) Cl.** ..... **26-05**

(52) **U.S. Cl.** ..... **D26/67**

(58) **Field of Classification Search** ..... D26/67-71;  
362/152, 183, 431, 410-415  
See application file for complete search history.

(56) **References Cited**

U.S. PATENT DOCUMENTS

D46,955 S	*	2/1915	Mohr	.....	D26/67
D47,218 S	*	4/1915	Bouchery	.....	D26/67
D153,809 S	*	5/1949	Kirk	.....	D26/67
D179,337 S		12/1956	Brown	.....	D48/31
D196,981 S	*	11/1963	Pettengill	.....	D26/67
D197,381 S		1/1964	Muller	.....	D48/31
D198,639 S	*	7/1964	Atkin et al.	.....	D26/67
D208,719 S		9/1967	de Vos	.....	D48/31
D329,099 S		9/1992	Hall et al.	.....	D26/67
D330,777 S		11/1992	Hall et al.	.....	D26/68
D452,028 S		12/2001	Lee	.....	D26/67
D464,456 S		10/2002	Chang	.....	D26/67
D499,831 S		12/2004	Chen	.....	D26/68

D499,832 S	12/2004	Chen	.....	D26/68
D500,158 S	12/2004	Chen	.....	D26/67
D500,159 S	12/2004	Chen	.....	D26/68
D500,381 S	12/2004	Chen	.....	D26/68

OTHER PUBLICATIONS

Hadco Nightlife Landscape Lighting Catalog, 1988 (6 pgs.).  
Intermatic Malibu Deck Lights Catalog, 1988 (4 pgs.).  
CENS Lighting Catalog, Jul. 2002 (1 pg.).  
Catalog, brochure or magazine excerpt displaying "Gemini"  
502 and 503 lights, title and date unknown (1 pg.).

\* cited by examiner

*Primary Examiner*—Clare E Heflin

(74) *Attorney, Agent, or Firm*—Sheppard, Mullin, Richter,  
Hampton LLP

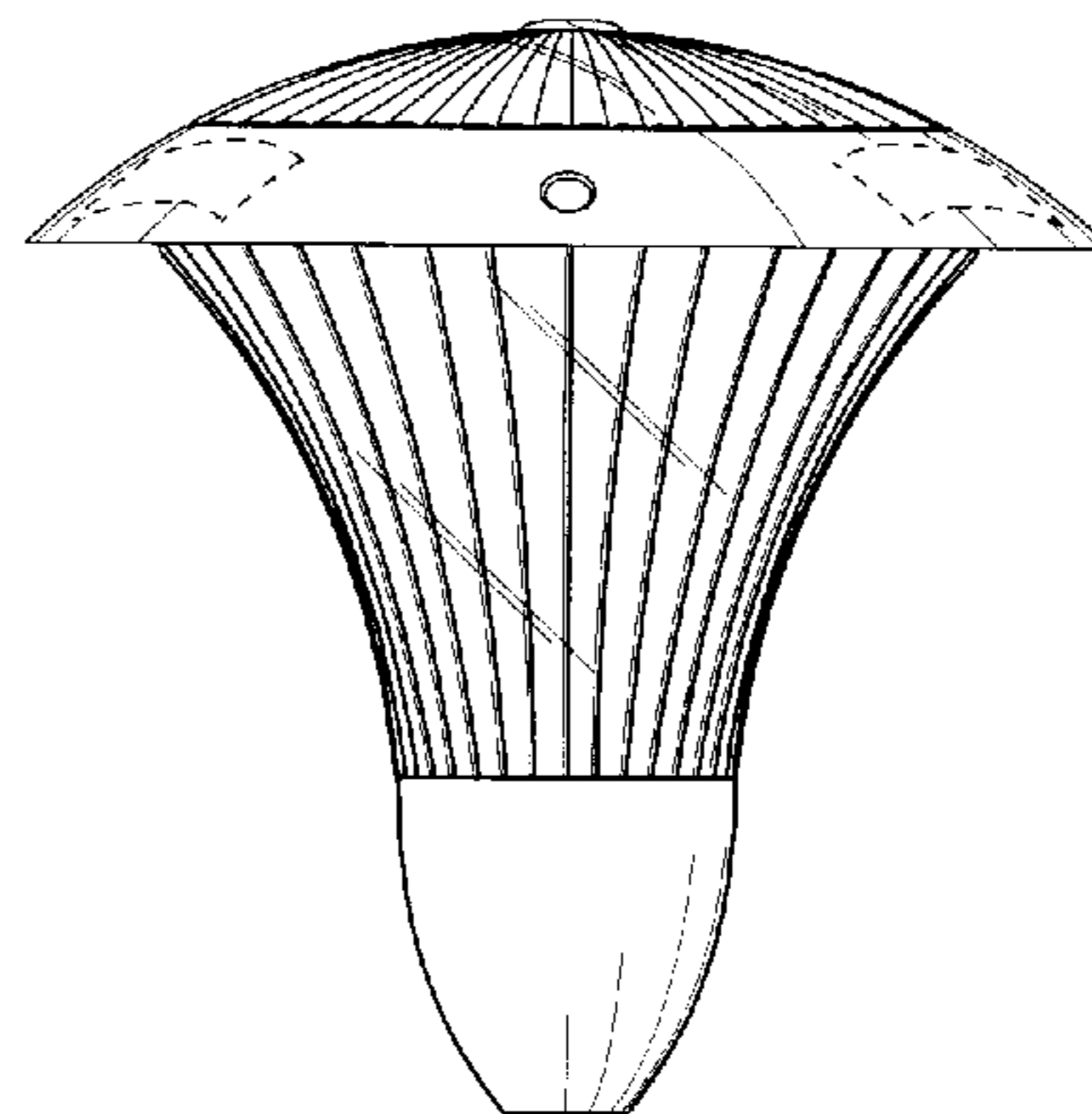
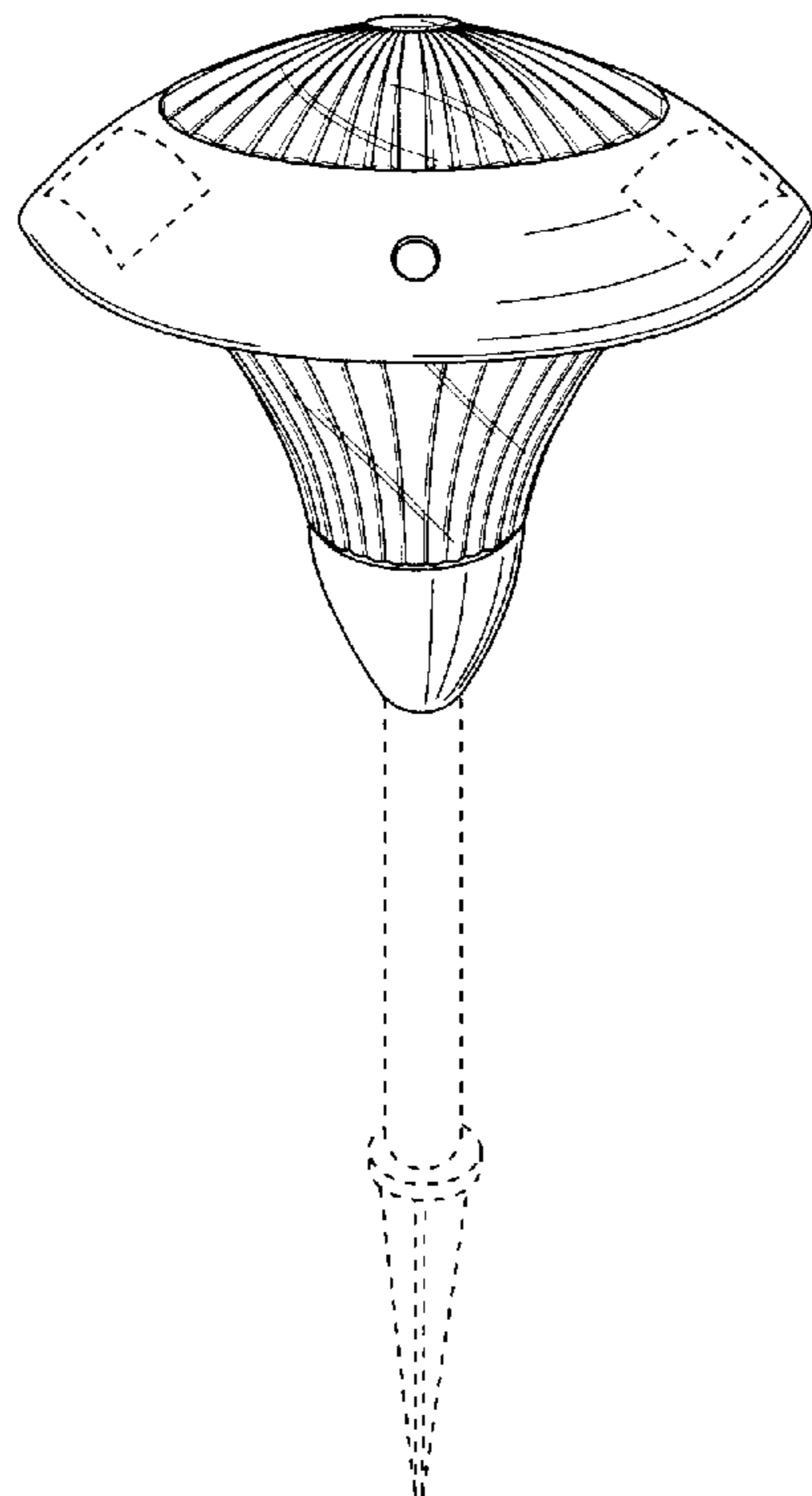
(57) **CLAIM**

We claim the ornamental design for a solar powered outdoor  
light, as shown and described.

**DESCRIPTION**

FIG. 1 is a perspective view of the solar powered outdoor  
light showing the new design;  
FIG. 2 is a front side elevational view thereof;  
FIG. 3 is a left side elevational view thereof, the right side  
elevational view being a mirror image thereof;  
FIG. 4 is a rear elevational view thereof;  
FIG. 5 is a top plan view thereof; and,  
FIG. 6 is a bottom plan view thereof.  
The dotted lines are for illustrative purposes only and form  
no part of the claimed design.

**1 Claim, 4 Drawing Sheets**



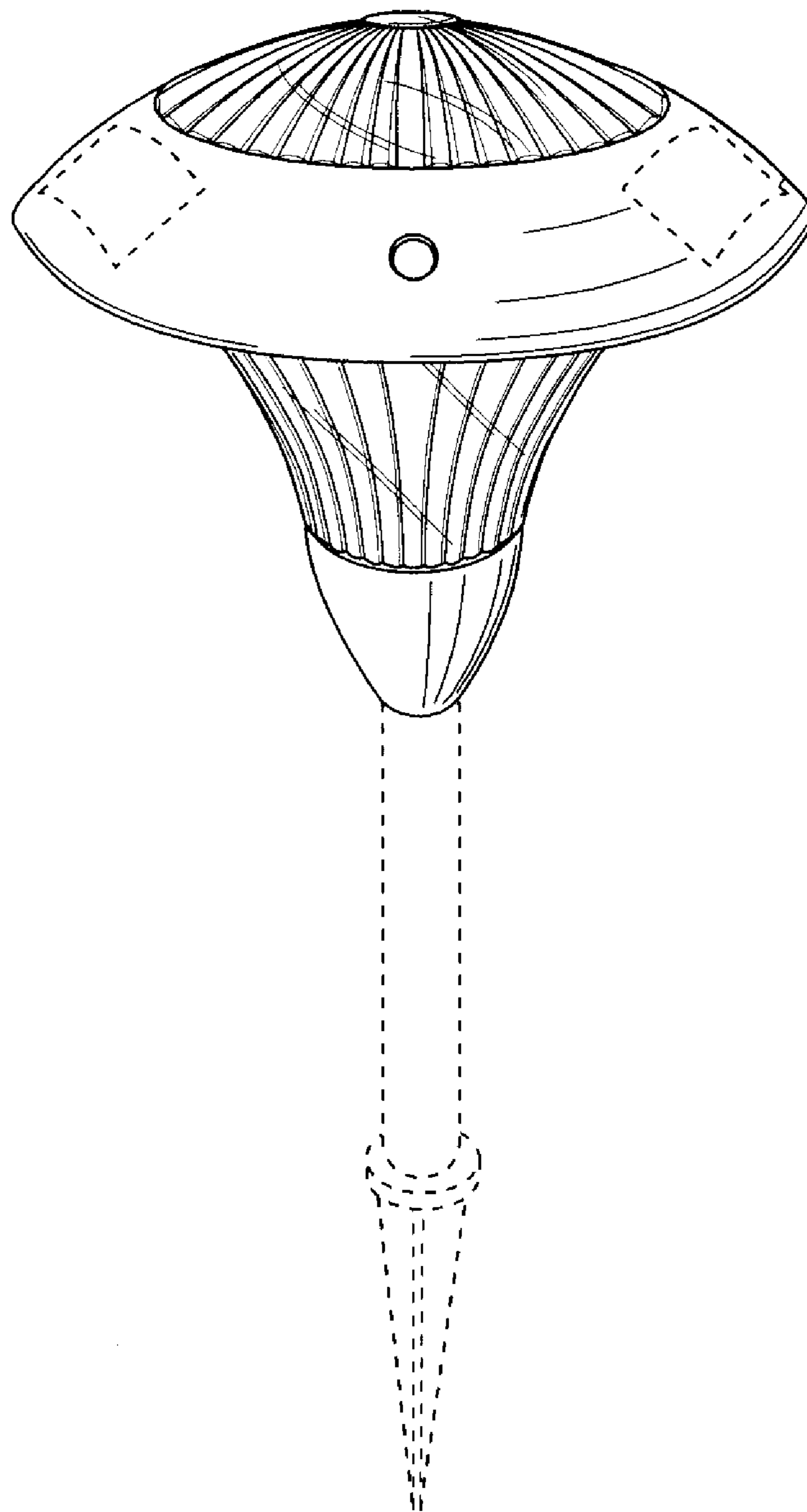


FIG. 1

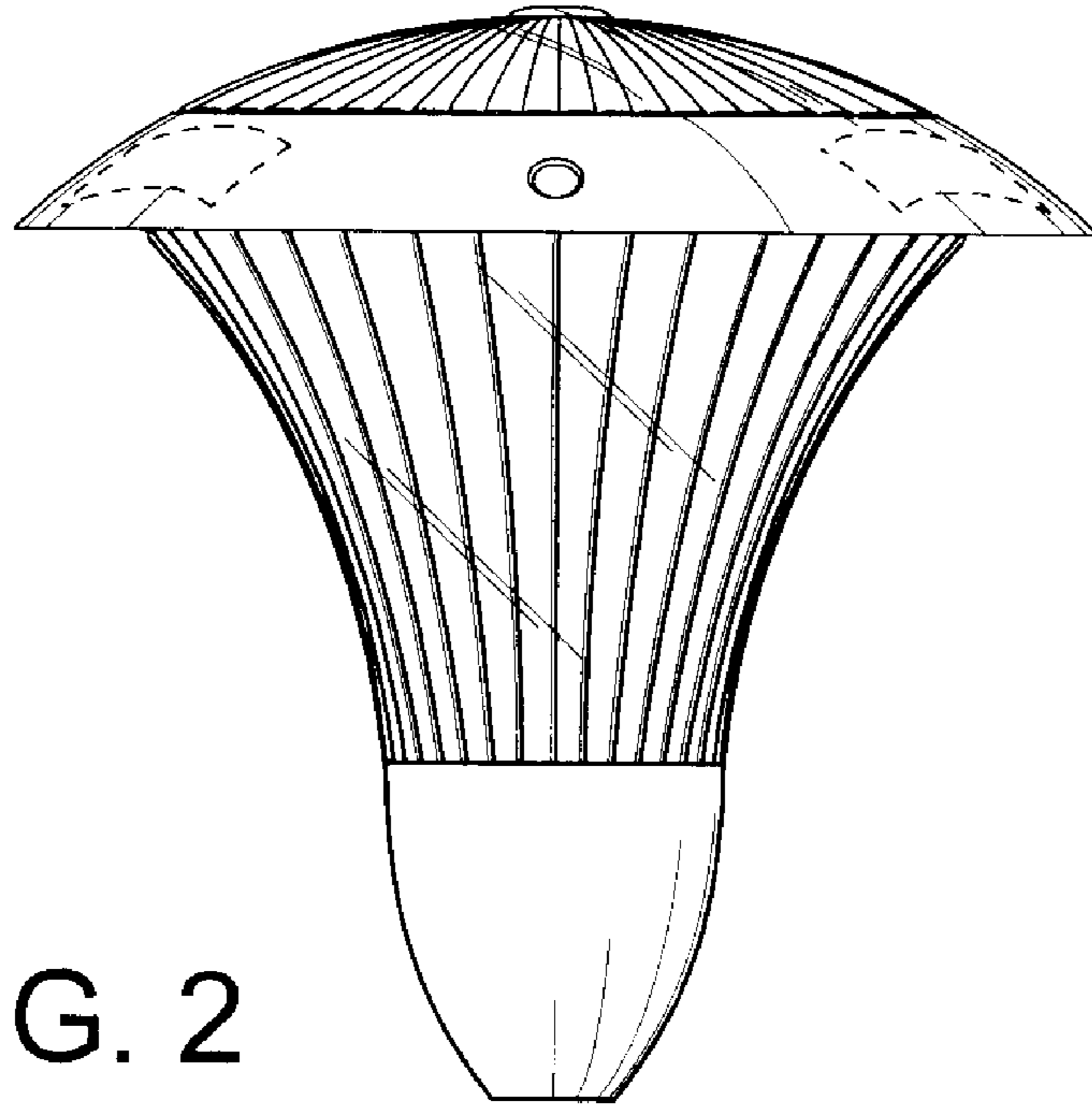


FIG. 2

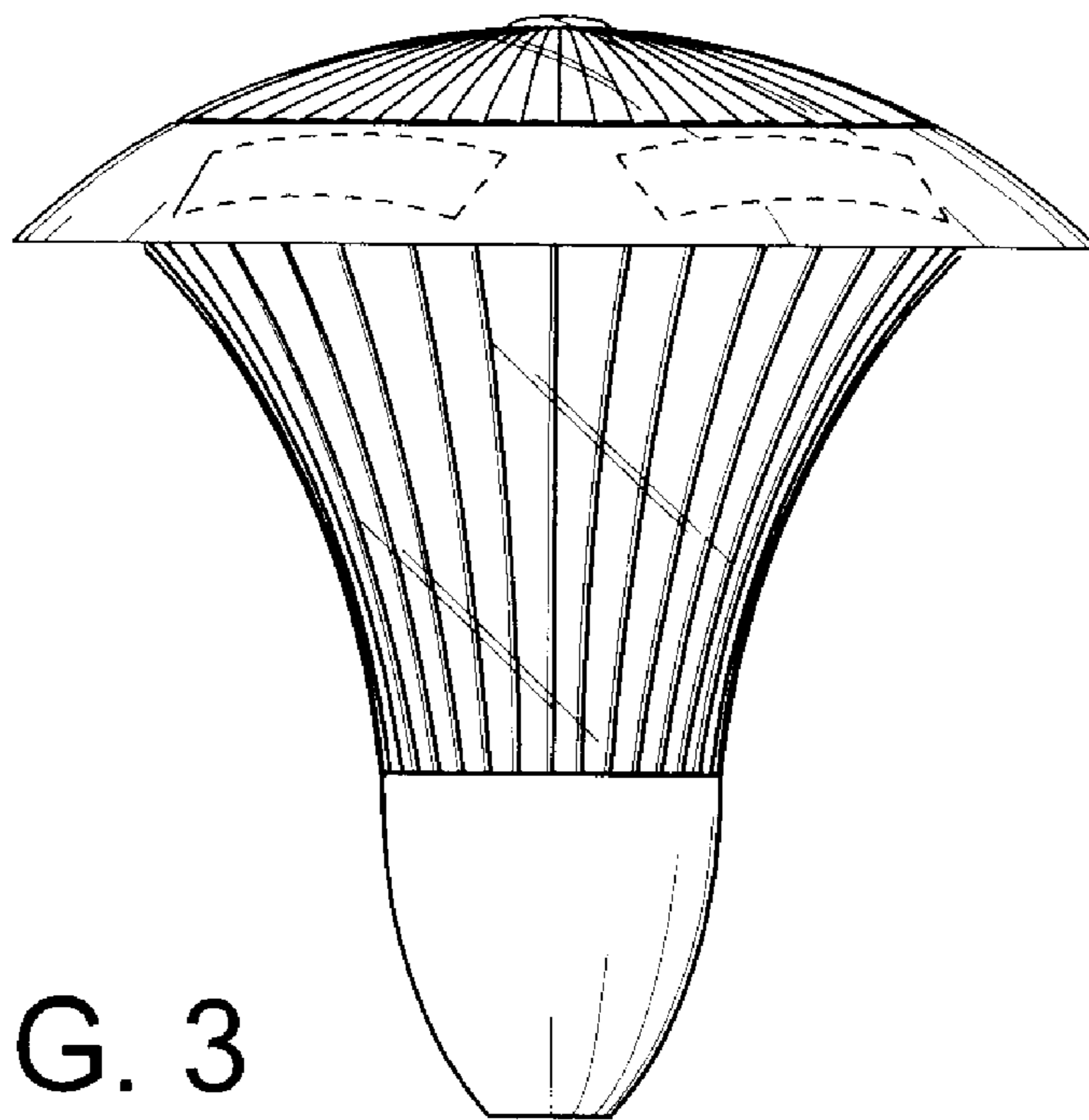


FIG. 3

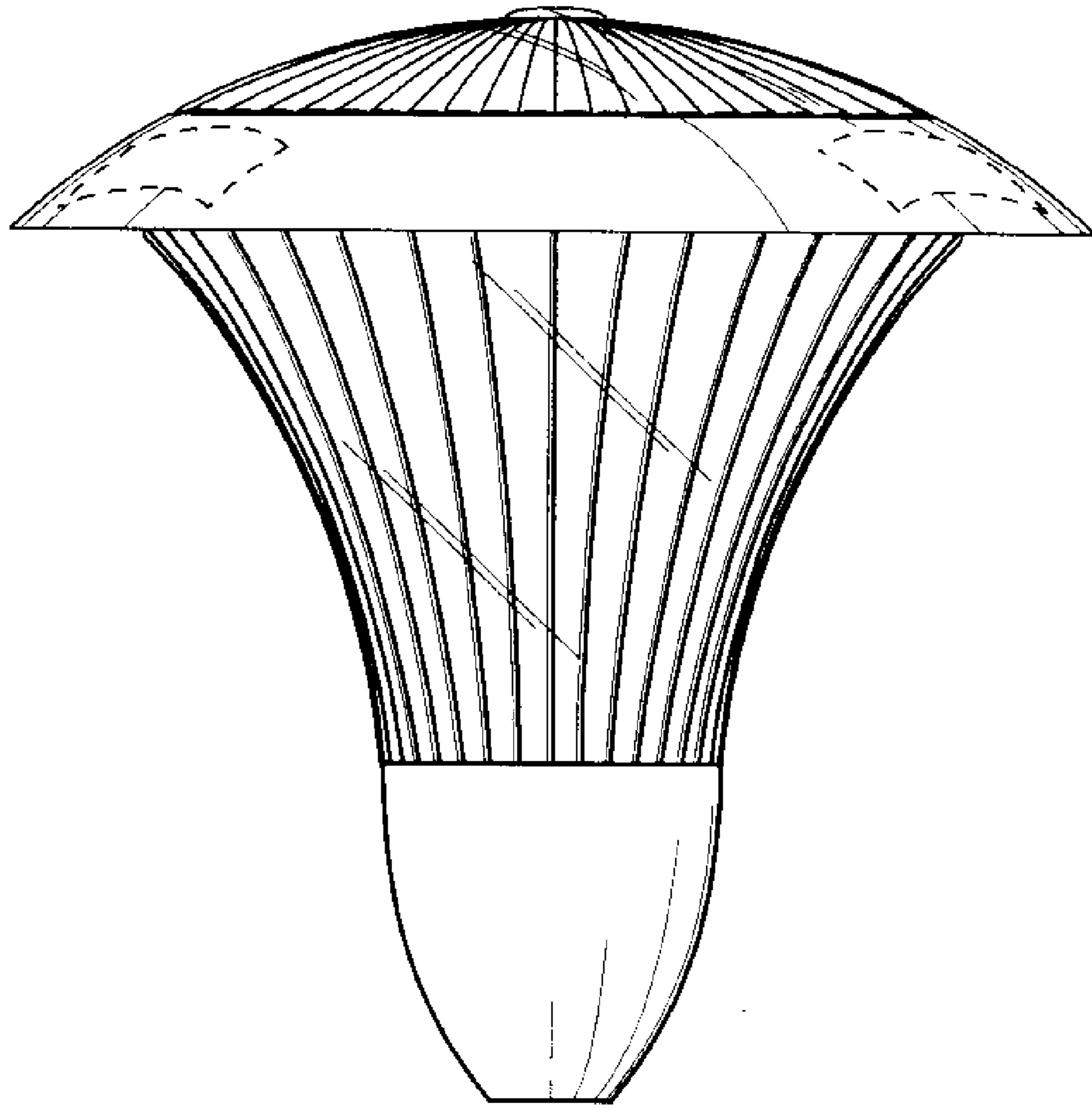


FIG. 4



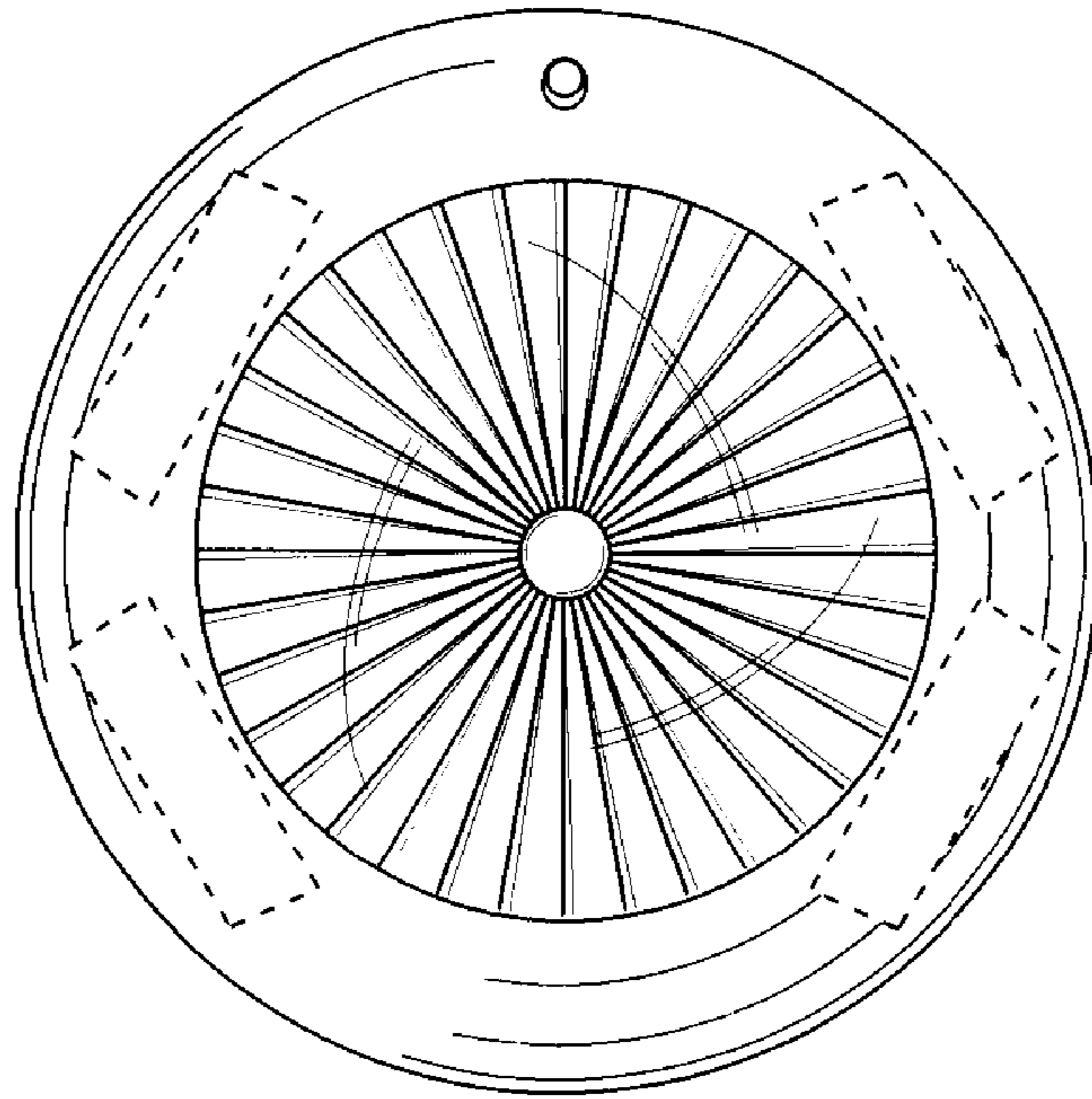


FIG. 5

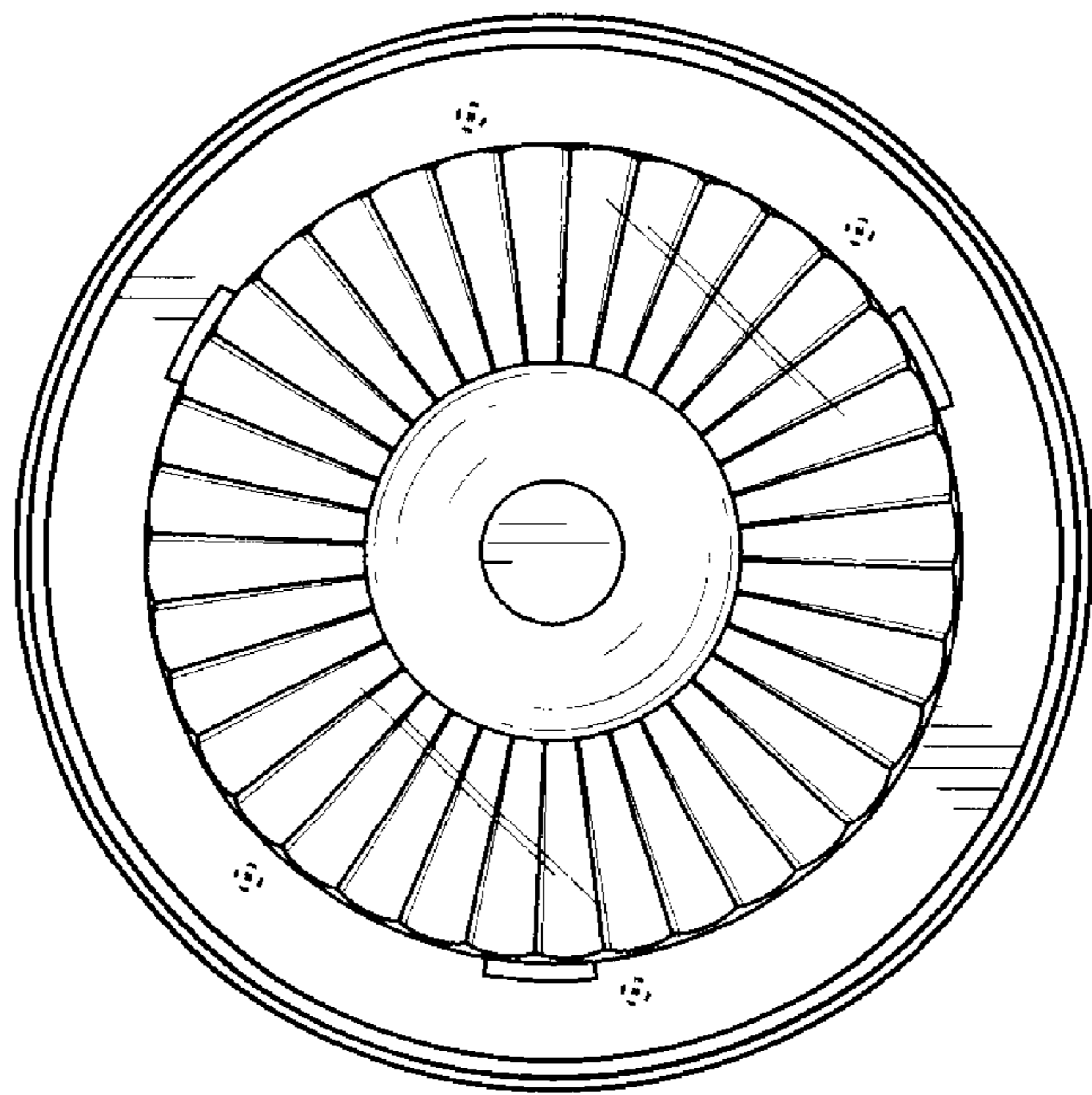


FIG. 6