



US00D529651S

(12) **United States Design Patent**  
**Chan**

(10) **Patent No.:** **US D529,651 S**

(45) **Date of Patent:** **\*\* Oct. 3, 2006**

(54) **CLIP-ON FLEXIBLE READING LIGHT**

(75) Inventor: **Wai Hong Chan, Siu Lam (HK)**

(73) Assignee: **Sunrich Manufactory Limited, New Territories (HK)**

(\*\*) Term: **14 Years**

(21) Appl. No.: **29/232,726**

(22) Filed: **Jun. 23, 2005**

(51) **LOC (8) Cl.** ..... **26-05**

(52) **U.S. Cl.** ..... **D26/60; D26/62**

(58) **Field of Classification Search** ..... D26/28,  
D26/37, 39, 44, 57, 73, 60-65; 362/98, 99,  
362/197, 198, 157, 171-174, 473-476, 523,  
362/545, 183-208

See application file for complete search history.

(56) **References Cited**

**U.S. PATENT DOCUMENTS**

4,432,042	A	2/1984	Zeller	
D283,056	S	3/1986	Ansems	
D301,753	S	* 6/1989	Iacovelli	..... D26/60
D397,468	S	8/1998	Zeller	
D418,240	S	12/1999	Sherman	
D427,703	S	7/2000	Chan	
D448,104	S	* 9/2001	Weitzman et al.	..... D26/65
6,361,184	B1	3/2002	Hallgrimsson et al.	
6,808,289	B1	* 10/2004	Reed	..... 362/198

D498,322 S \* 11/2004 Schnell ..... D26/60

\* cited by examiner

*Primary Examiner*—Clare E Heflin

(74) *Attorney, Agent, or Firm*—William J. Sapone;  
Coleman Sudol Sapone, P.C.

(57) **CLAIM**

I claim the ornamental design for a clip-on flexible reading light, as shown and described.

**DESCRIPTION**

FIG. 1 is a perspective left side view of the clip-on flexible reading light showing my new design having a flexible arm with a position adjustable light at its end;

FIG. 2 is a top view thereof;

FIG. 3 is a bottom view thereof;

FIG. 4 is a right side view thereof;

FIG. 5 is a rear view thereof;

FIG. 6 is a front view thereof;

FIG. 7 is a left side view of an alternative embodiment of the clip-on flexible reading light having a shorter flexible arm with a position adjustable light at its end;

FIG. 8 front view thereof;

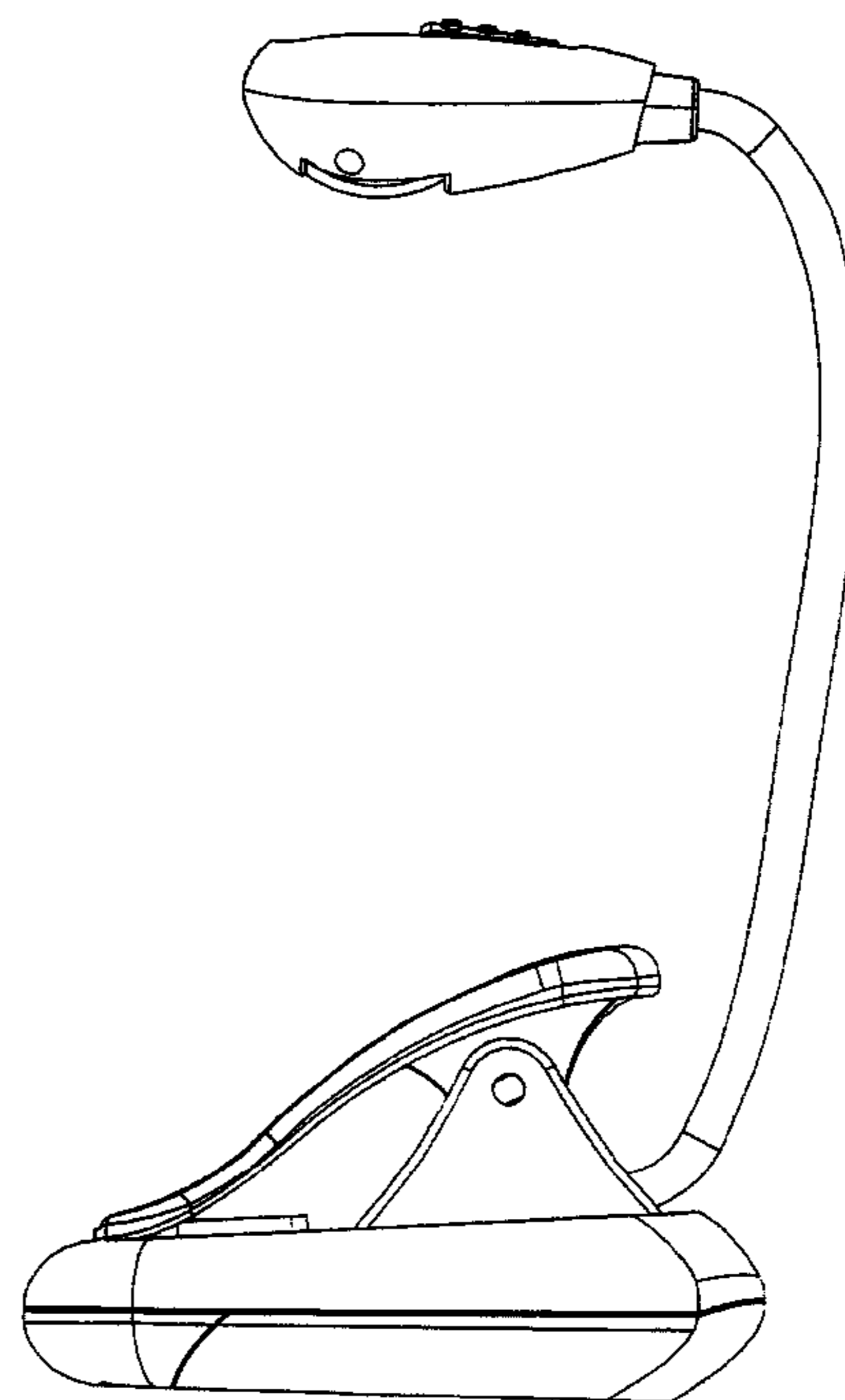
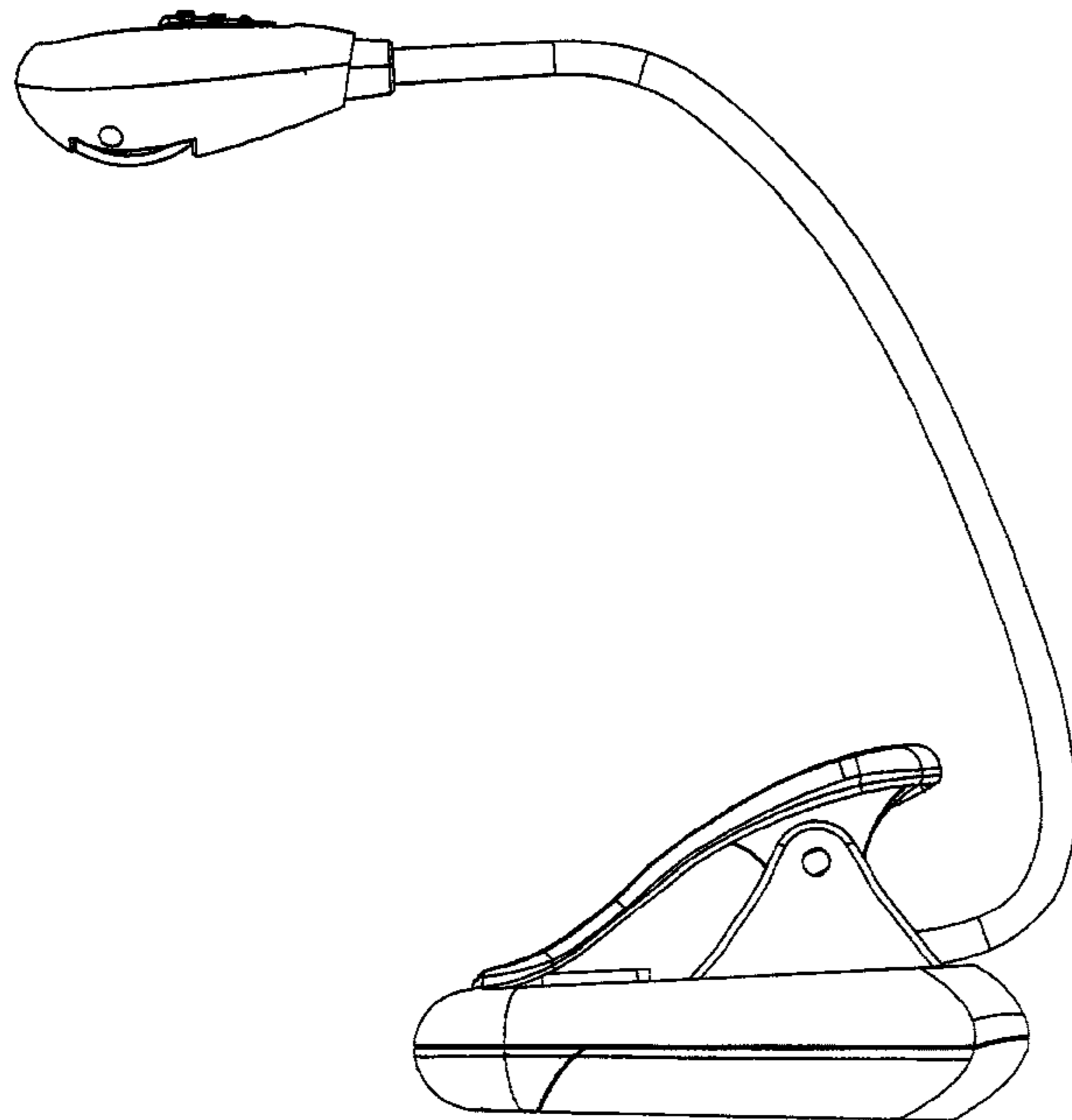
FIG. 9 is a rear view thereof;

FIG. 10 is a right side view thereof;

FIG. 11 is a top view thereof; and,

FIG. 12 is a bottom view thereof.

**1 Claim, 6 Drawing Sheets**



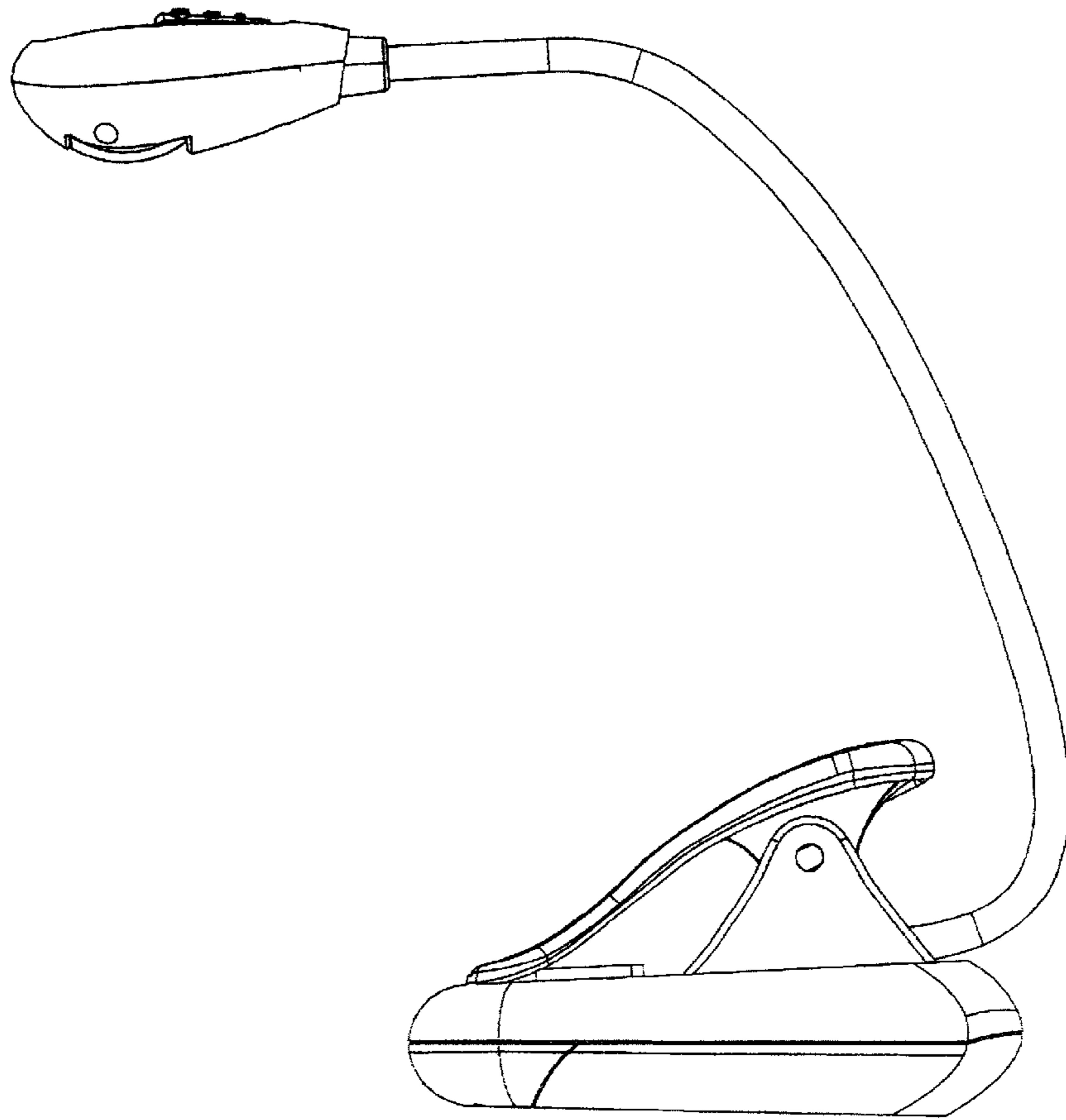


Fig. 1

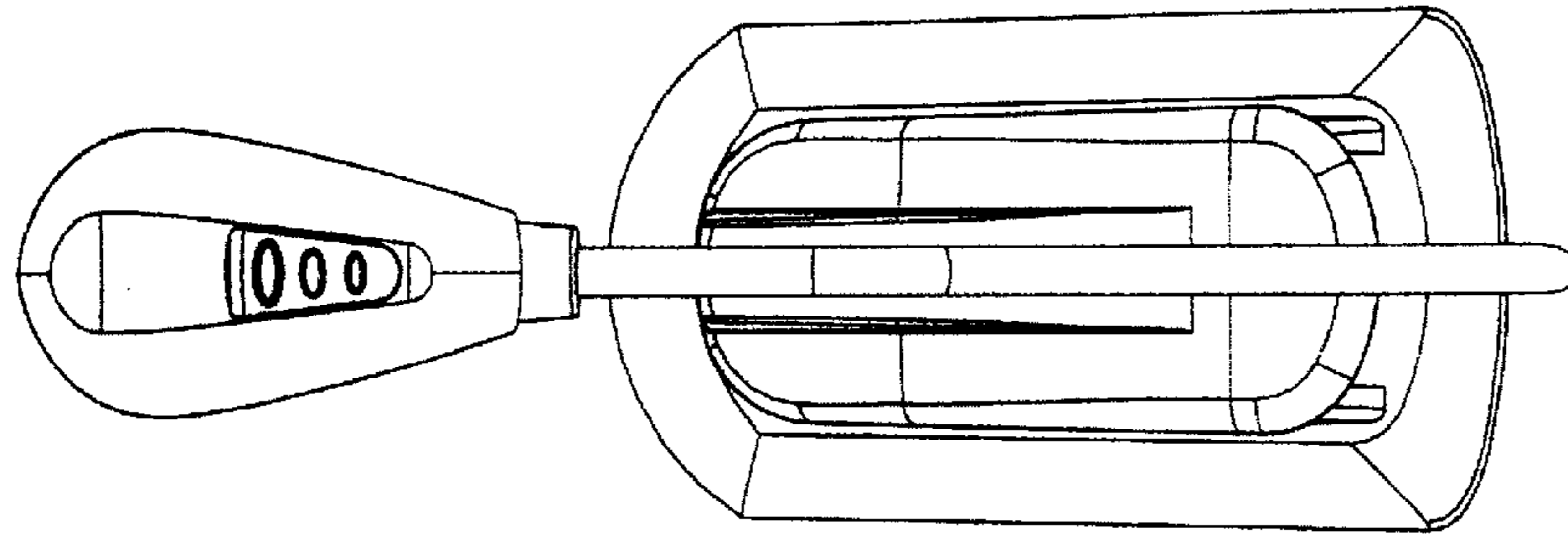


Fig. 2

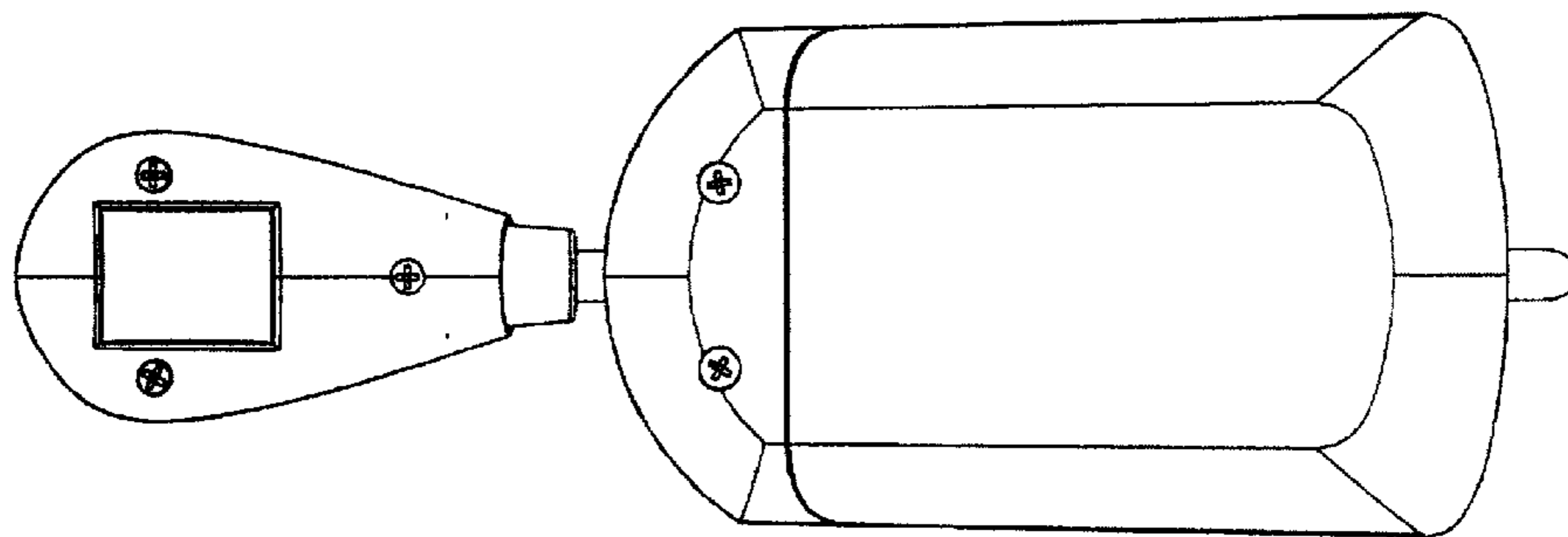


Fig. 3

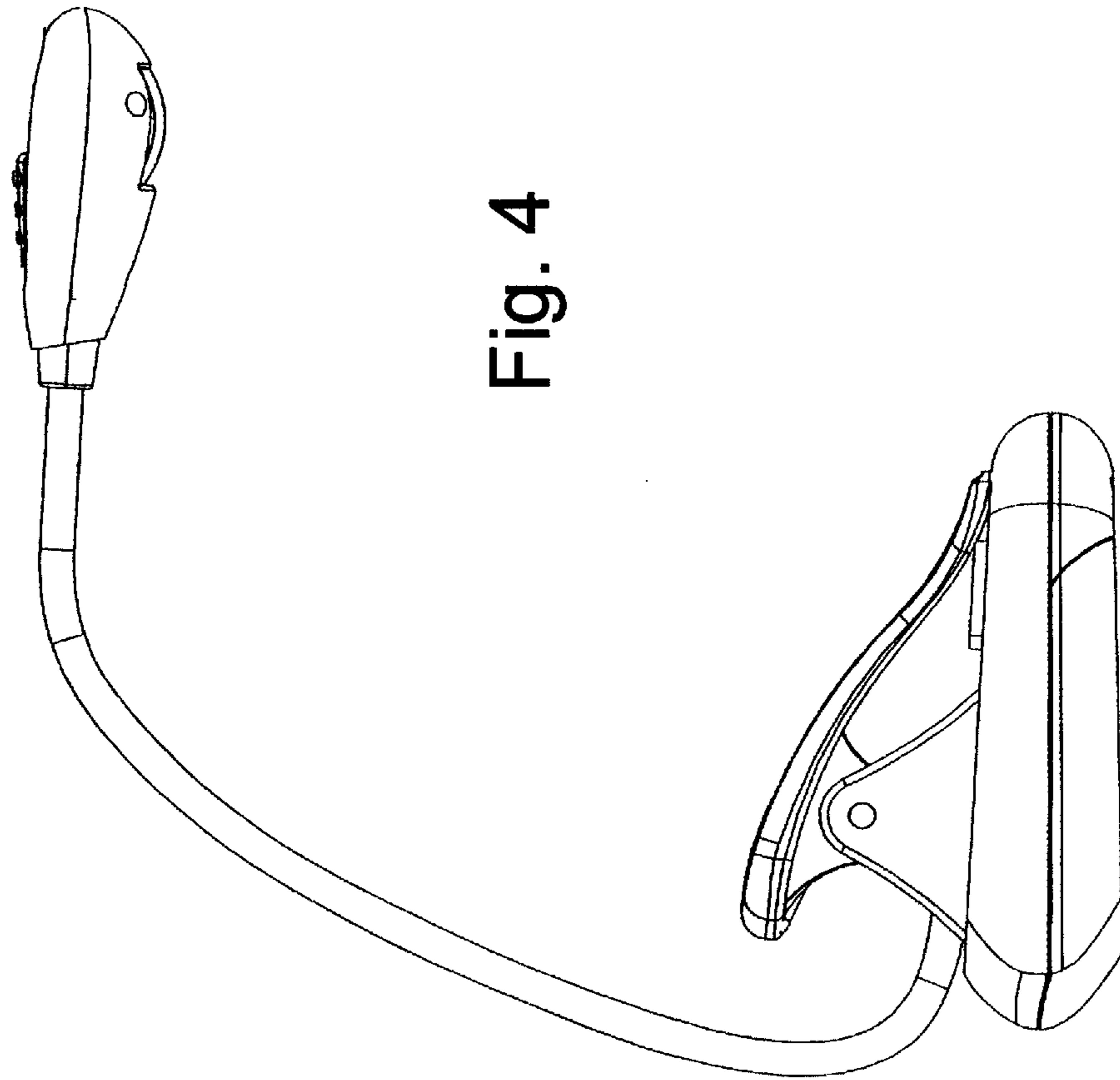


Fig. 4

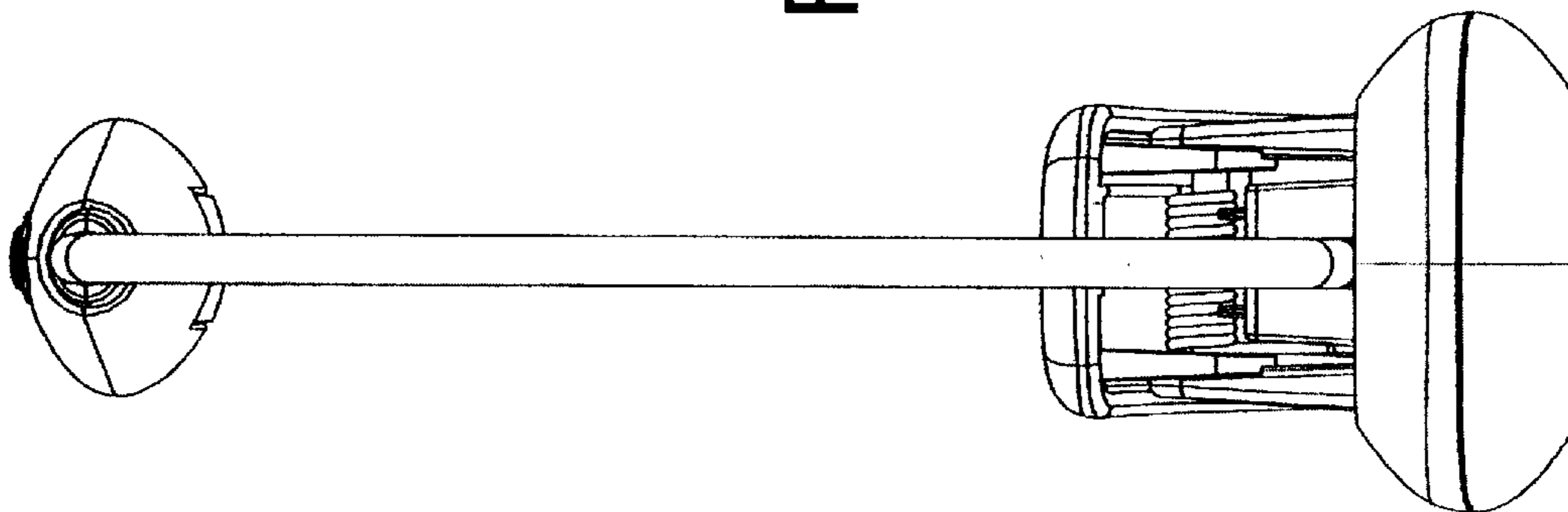


Fig. 5

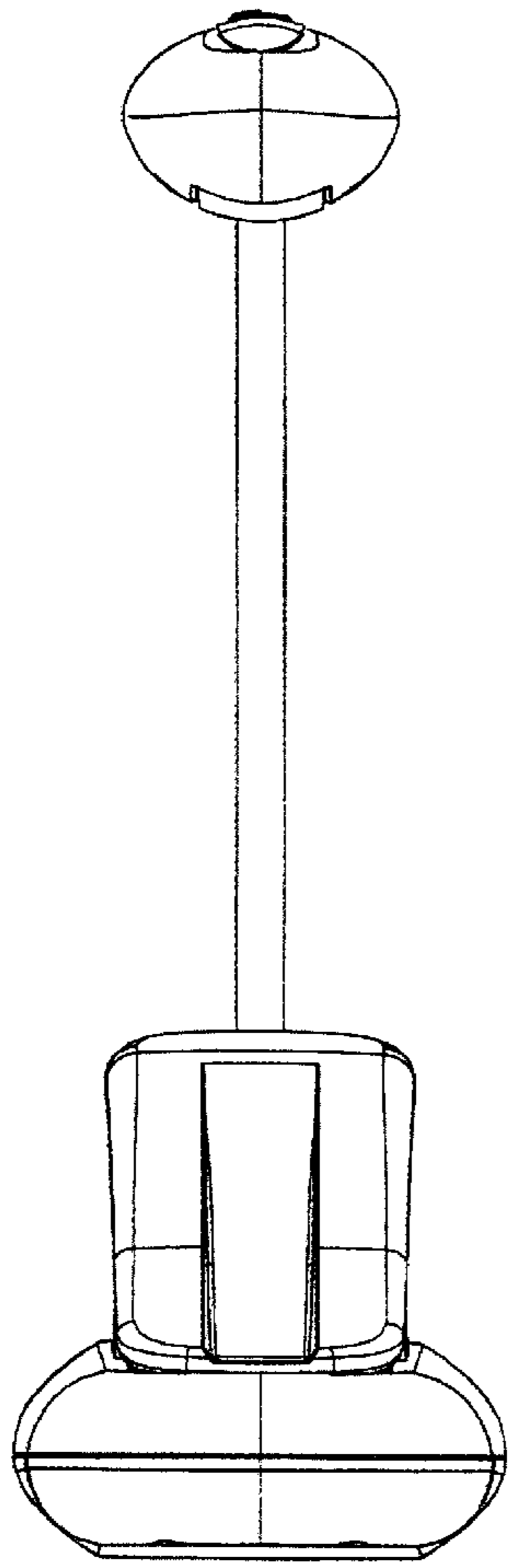


Fig. 6

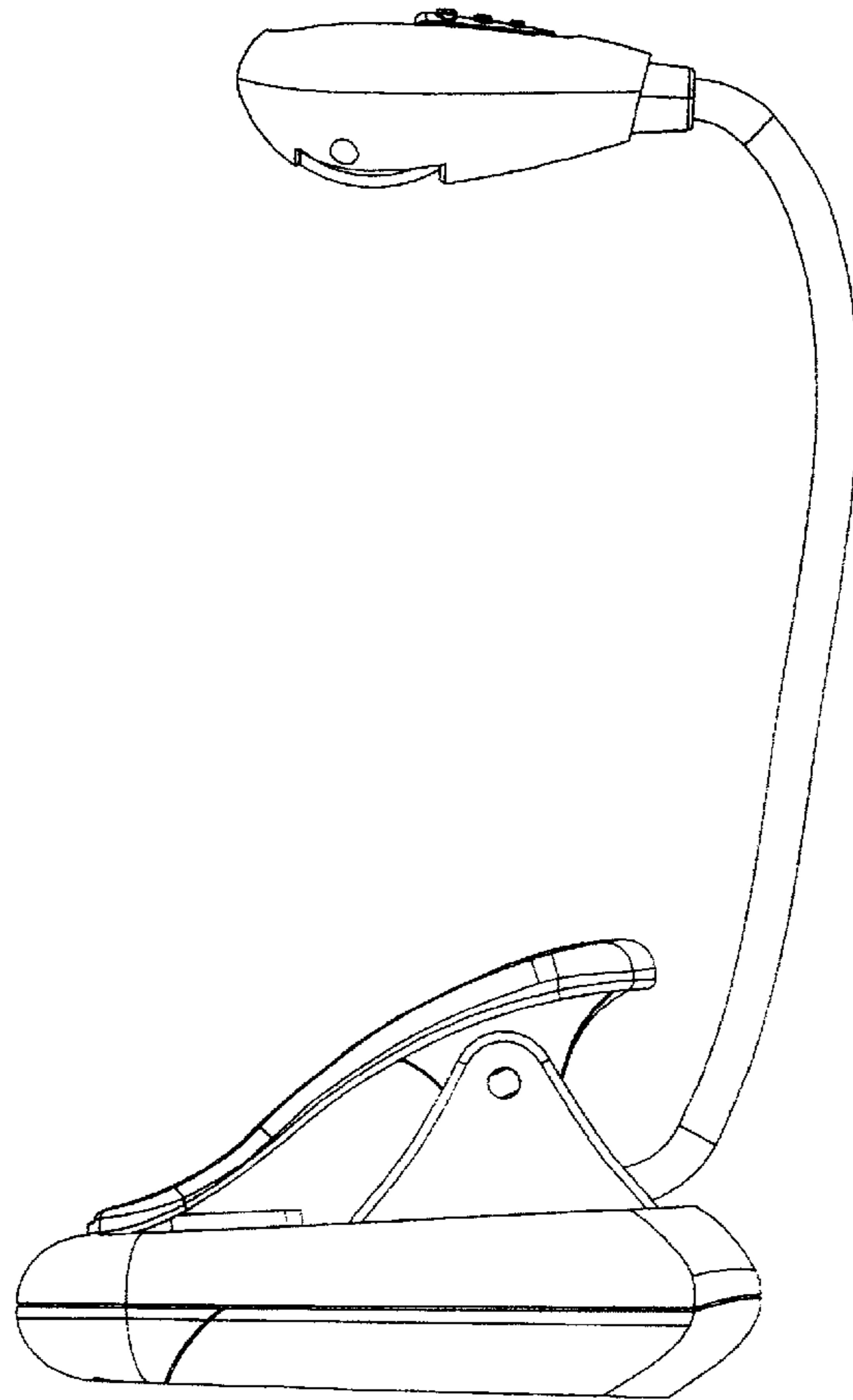


Fig. 7

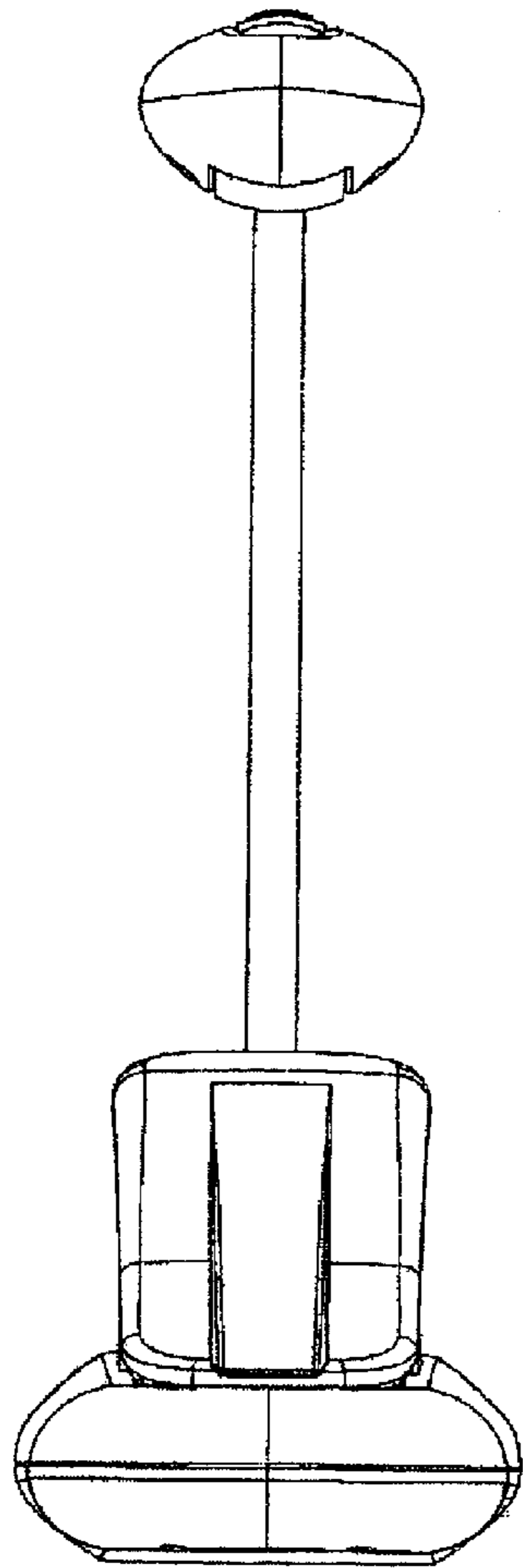


Fig. 8

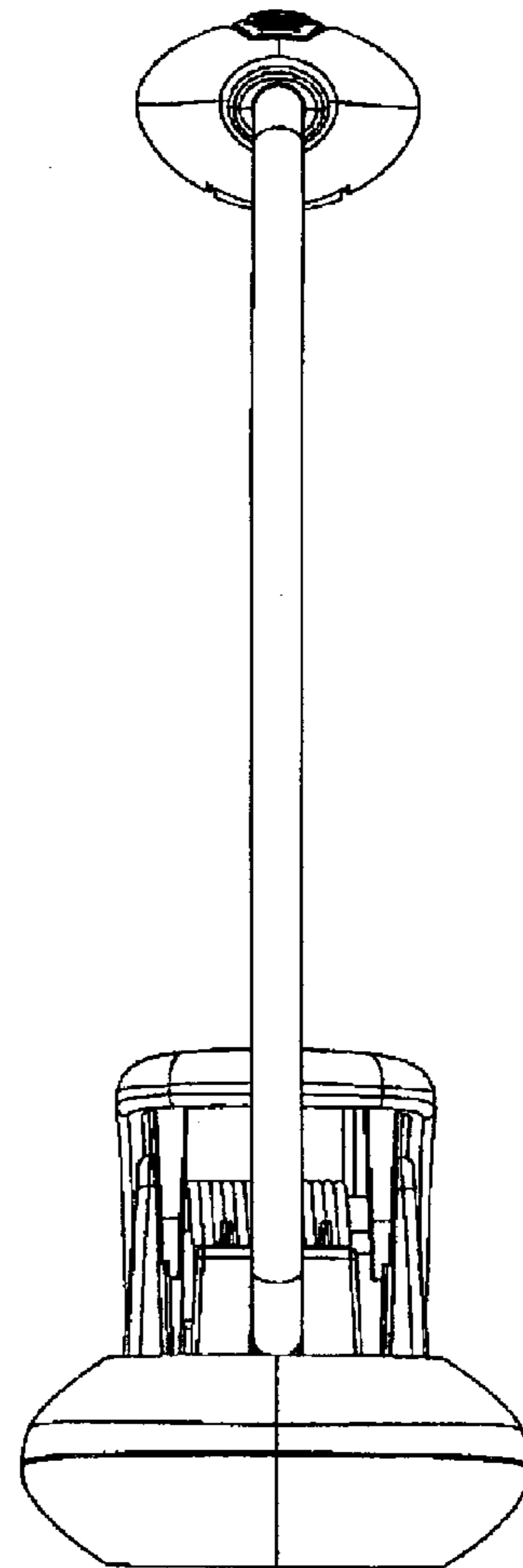


Fig. 9

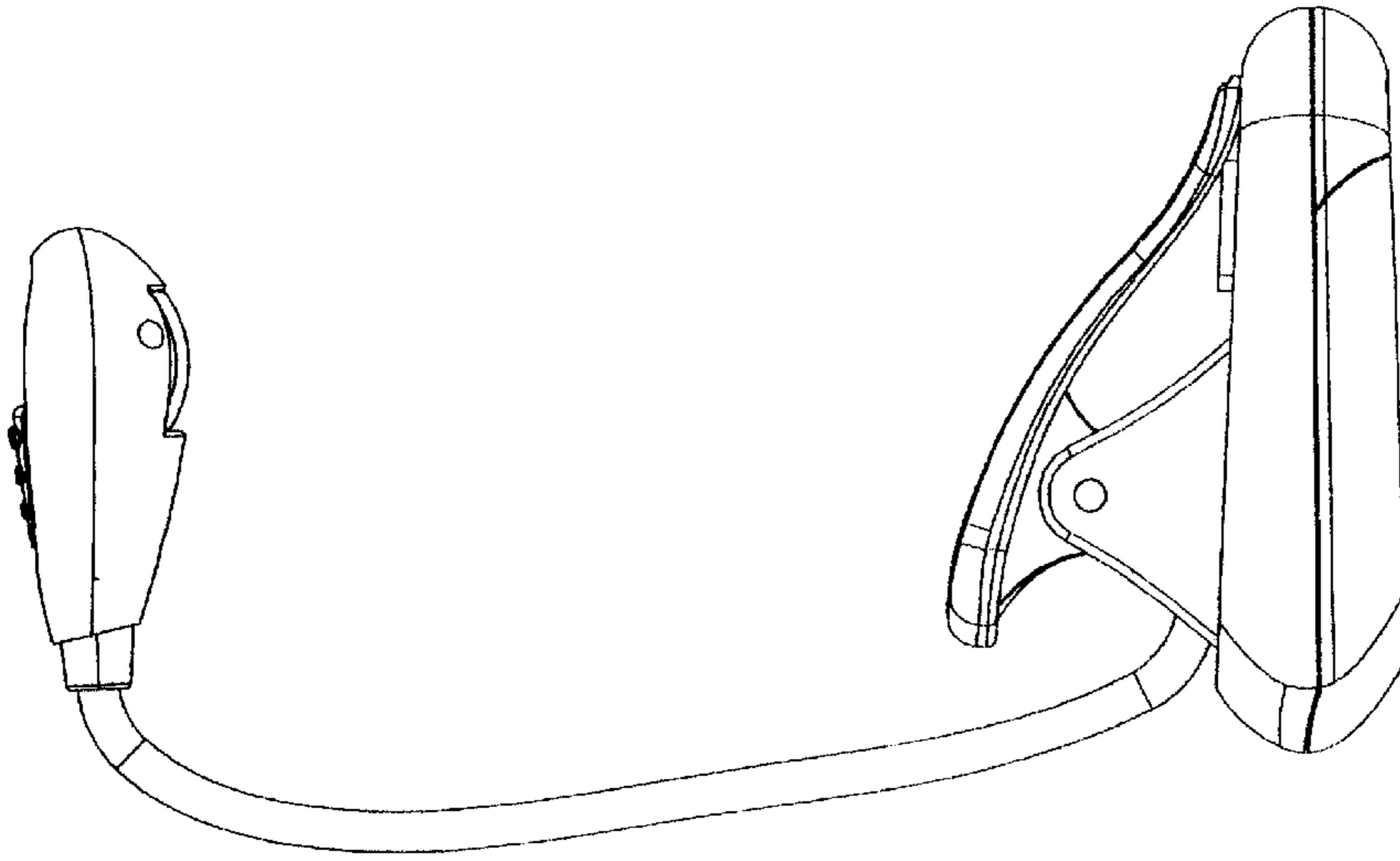


Fig. 10

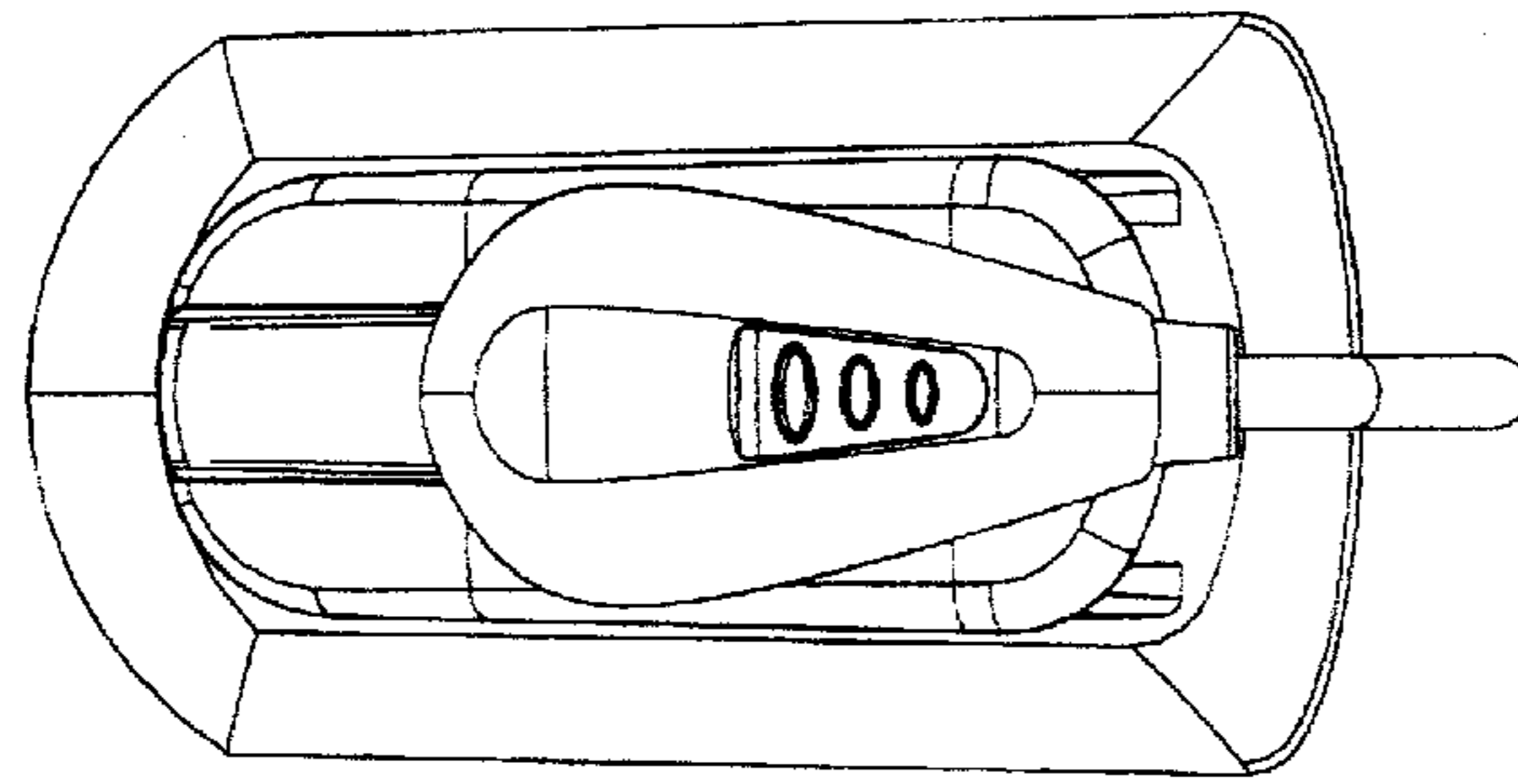


Fig. 11

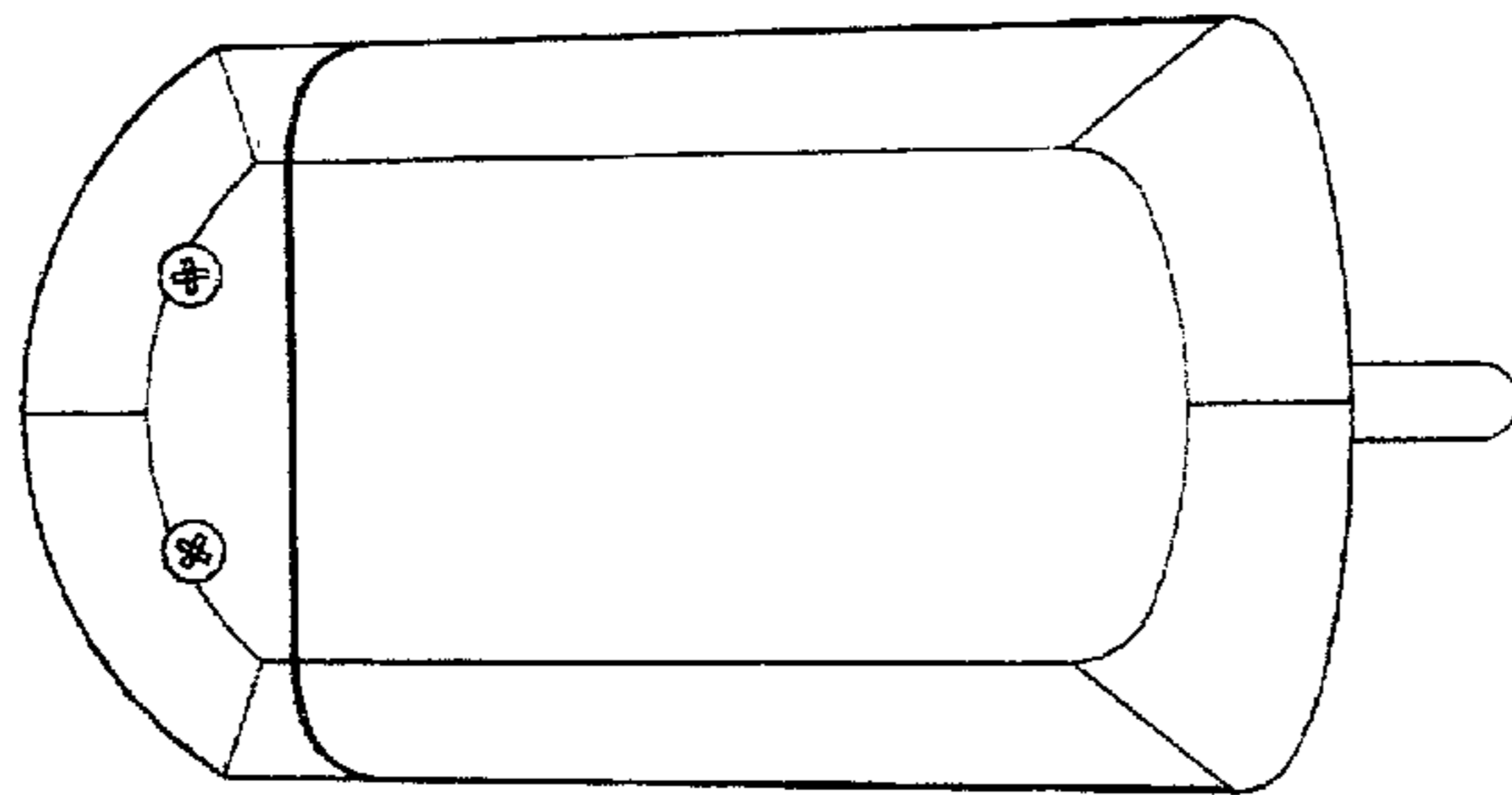


Fig. 12