



US00D529650S

(12) **United States Design Patent**  
**Yuen**

(10) **Patent No.:** **US D529,650 S**

(45) **Date of Patent:** **\*\* Oct. 3, 2006**

(54) **RECHARGEABLE HALOGEN  
SEARCHLIGHT WITH ENERGY SAVING  
LED LIGHT**

D494,297 S \* 8/2004 Yuen ..... D26/46  
D514,722 S \* 2/2006 Shen ..... D26/46  
D518,908 S \* 4/2006 Yuen ..... D26/46

(76) Inventor: **Se Kit Yuen**, 6/F Yau Lee Centre, 45  
Hoi Yuen Road, Kwun Tong, Kowloon  
(HK)

\* cited by examiner

*Primary Examiner*—Marcus A. Jackson  
(74) *Attorney, Agent, or Firm*—Akerman Senterfit

(\*\*) Term: **14 Years**

(57) **CLAIM**

(21) Appl. No.: **29/233,049**

The ornamental design of a rechargeable halogen searchlight with energy saving LED light, as shown and described.

(22) Filed: **Jun. 27, 2005**

(30) **Foreign Application Priority Data**

**DESCRIPTION**

Apr. 25, 2005 (HK) ..... 0500921

FIG. 1 is a perspective view of the rechargeable halogen searchlight with energy saving LED light.

(51) **LOC (8) Cl.** ..... **26-02**

FIG. 2 is a front view thereof.

(52) **U.S. Cl.** ..... **D26/46**

FIG. 3 is a side view thereof.

(58) **Field of Classification Search** ..... D26/37-50;  
362/157, 158, 171-174, 183-208

FIG. 4 is an other side view thereof.

See application file for complete search history.

FIG. 5 is a top view thereof.

(56) **References Cited**

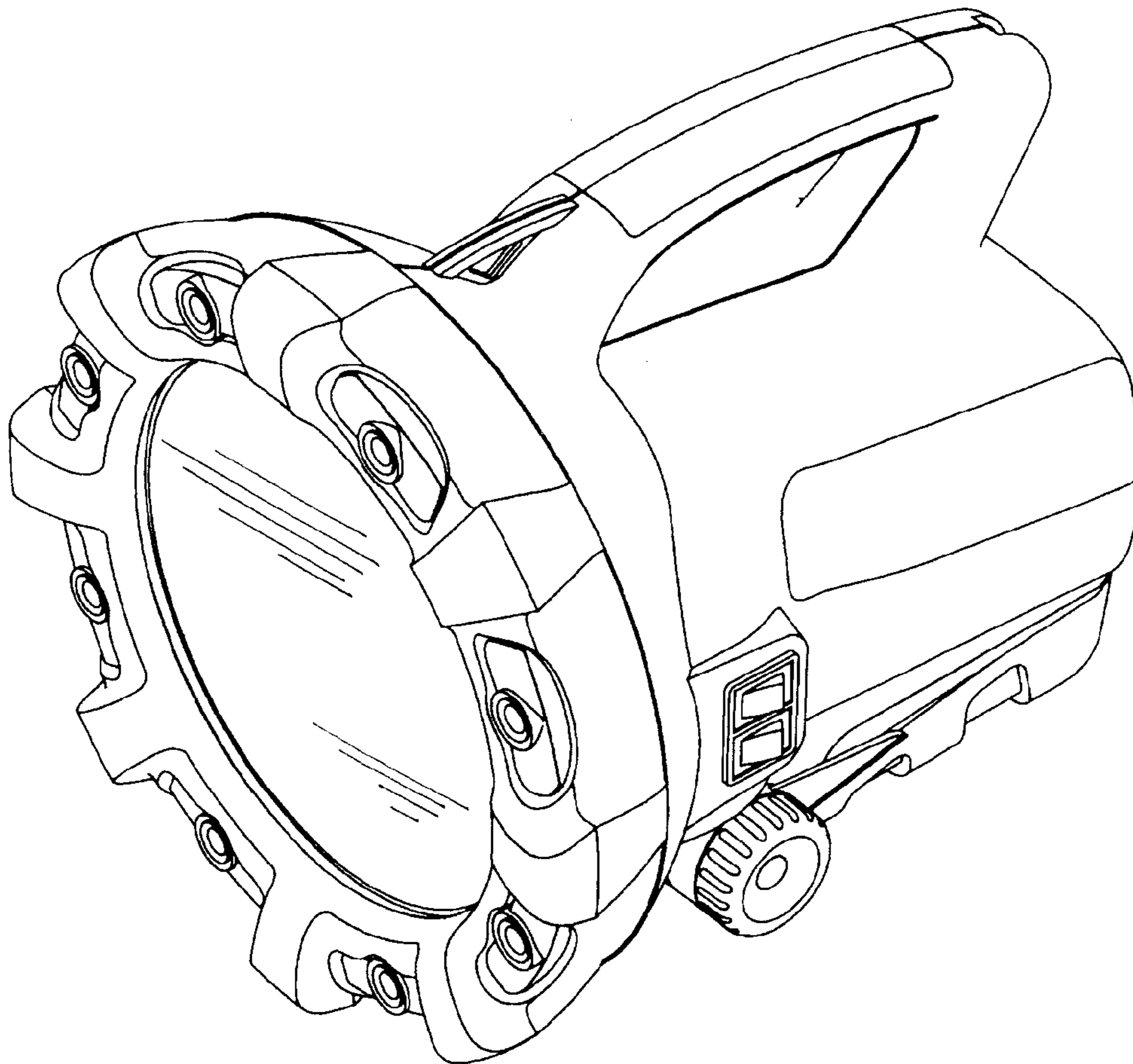
FIG. 6 is a bottom view thereof; and,

FIG. 7 is a rear view thereof.

**U.S. PATENT DOCUMENTS**

D446,872 S \* 8/2001 Crescenzi et al. .... D26/46

**1 Claim, 7 Drawing Sheets**



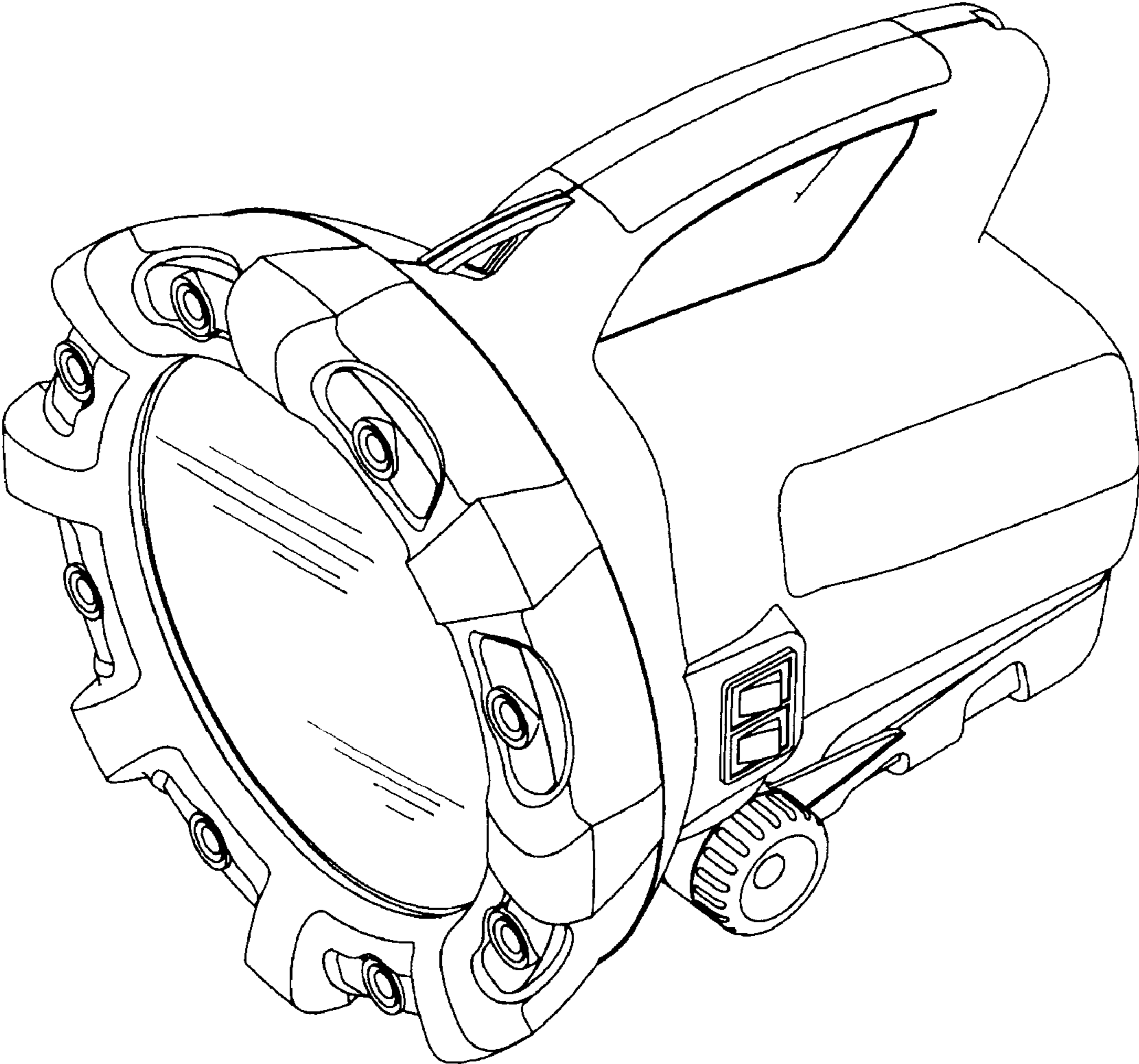


FIG. 1

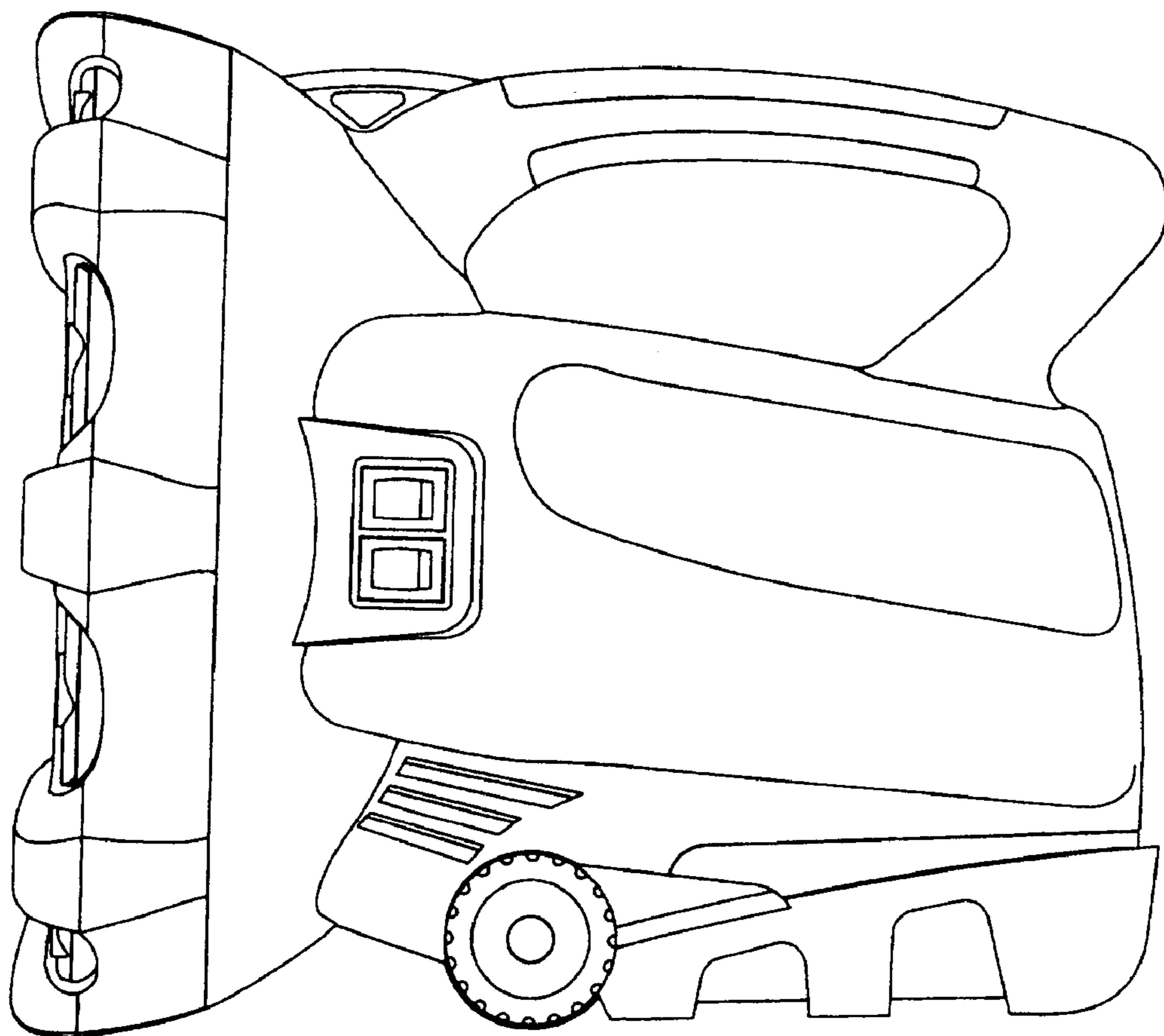
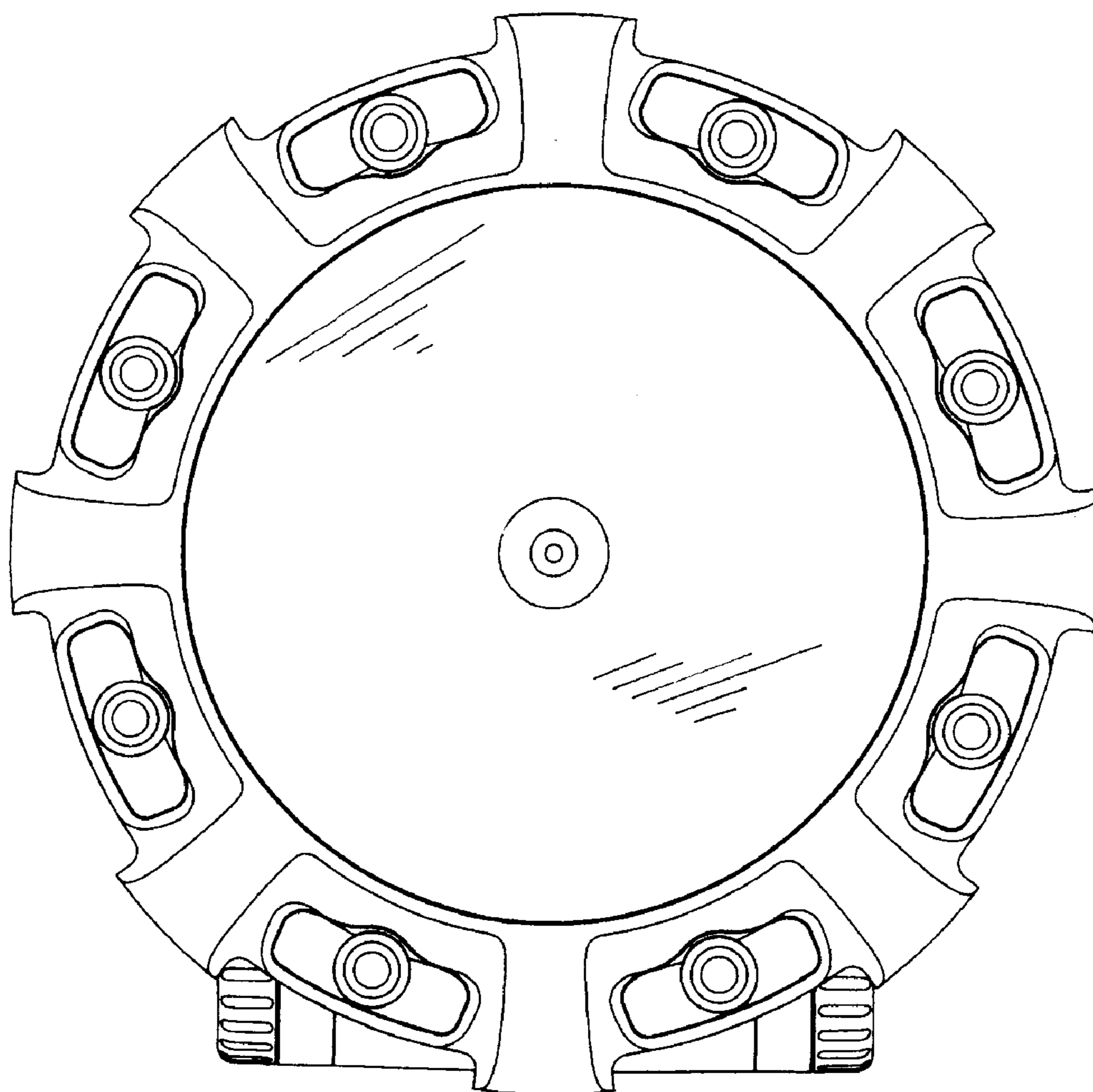
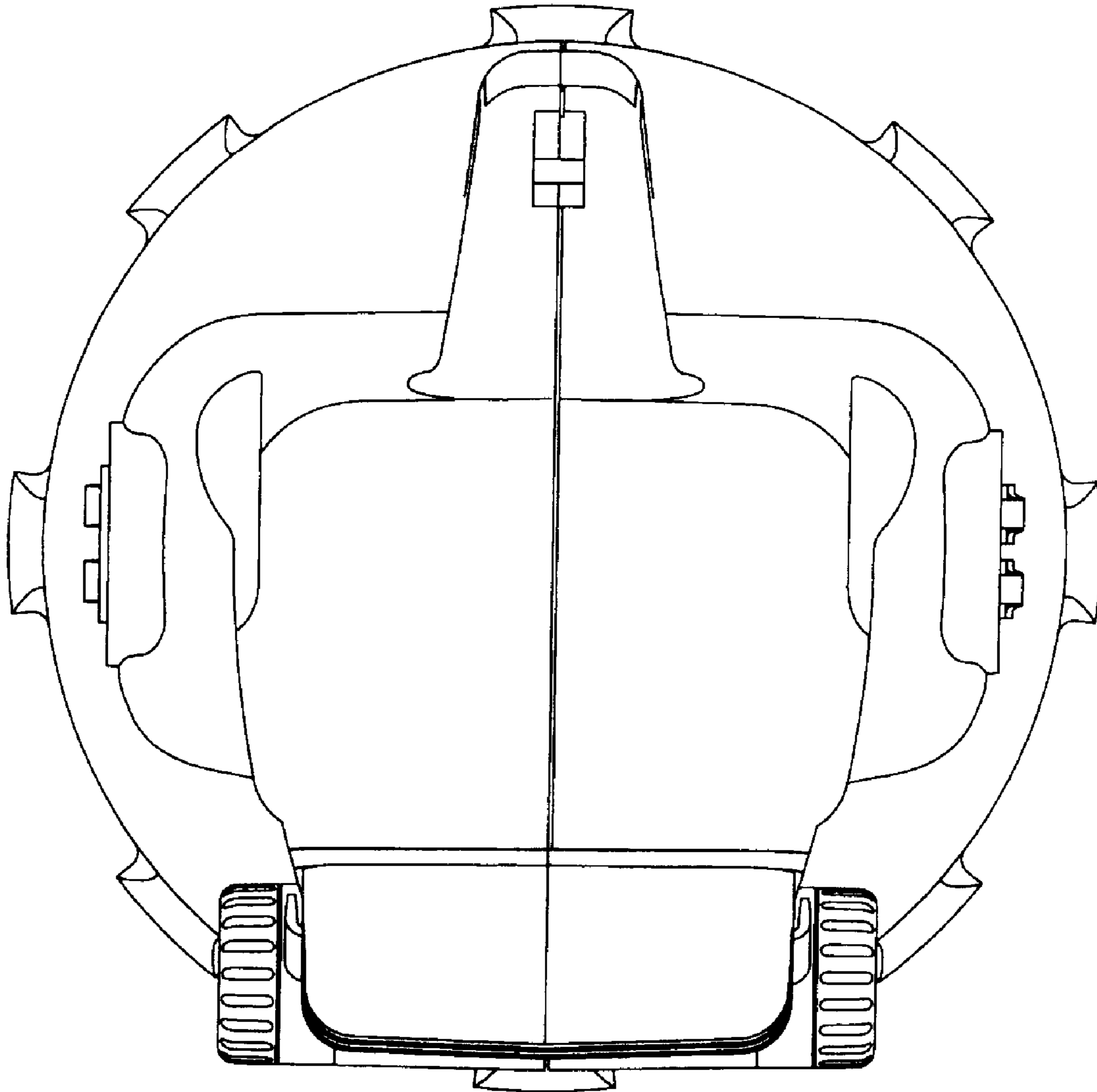


FIG. 2



**FIG. 3**



**FIG. 4**



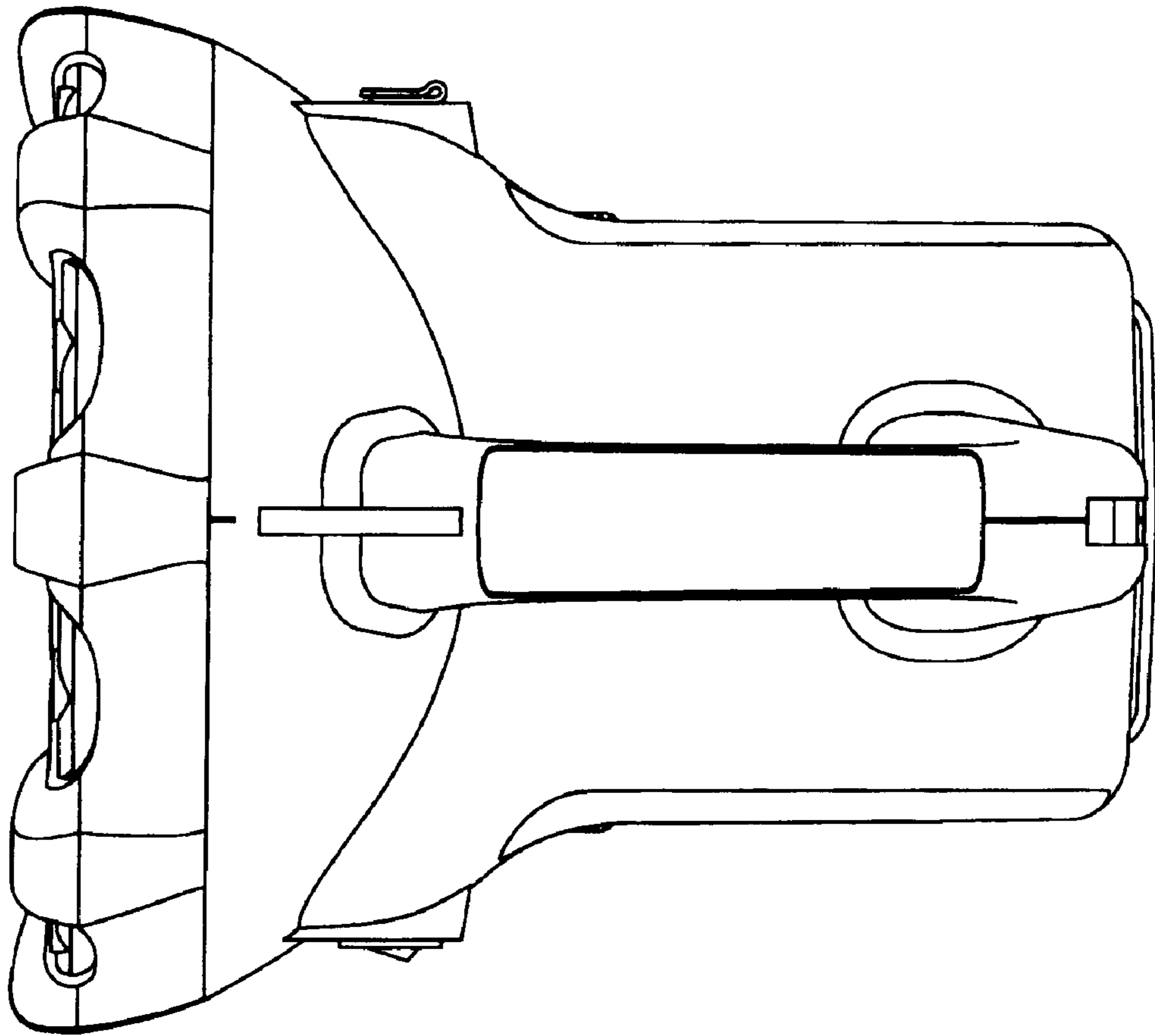
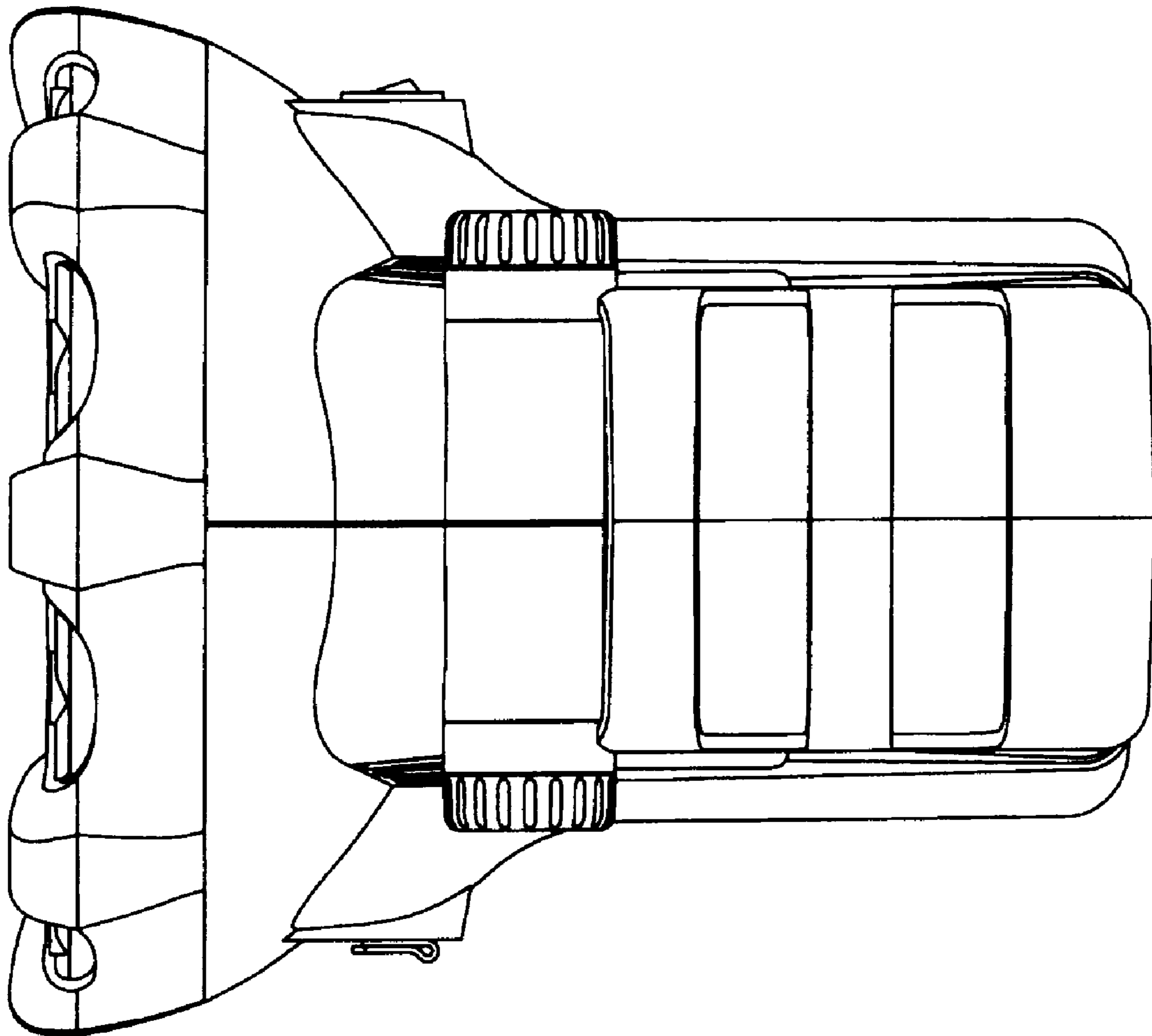
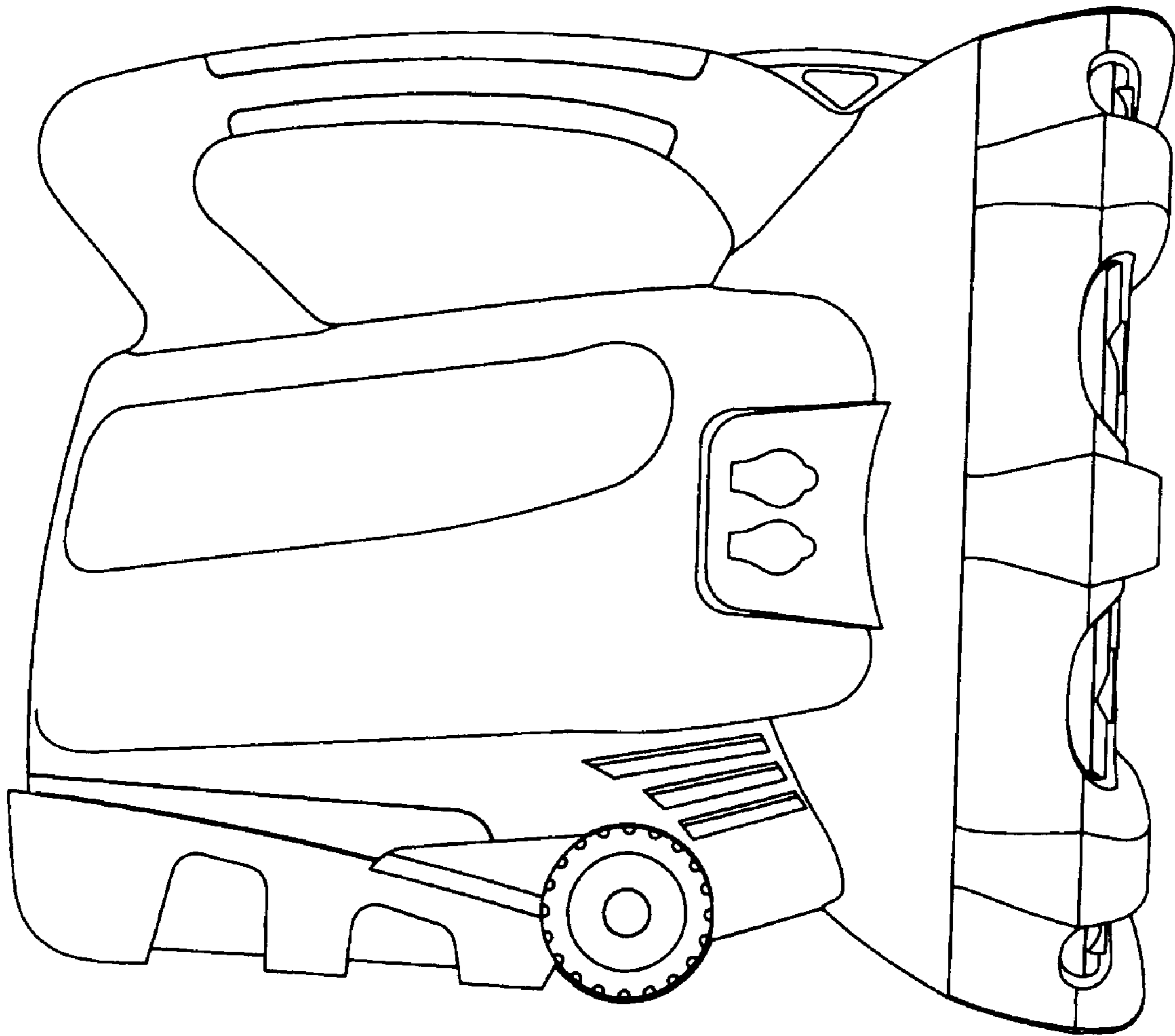


FIG. 5



**FIG. 6**



**FIG. 7**