



US00D529649S

(12) **United States Design Patent**
Teng et al.

(10) **Patent No.:** **US D529,649 S**

(45) **Date of Patent:** **** Oct. 3, 2006**

(54) **BENDABLE FLASHLIGHT**

D479,351 S * 9/2003 Ashfield D26/44

(75) Inventors: **Cheng-I Teng**, Taichung (TW);
Yen-Chieh Huang, Changhua (TW)

* cited by examiner

(73) Assignee: **Mobiletron Electronics Co., Ltd.**,
Taichung Hsien (TW)

Primary Examiner—Marcus A. Jackson

(74) *Attorney, Agent, or Firm*—Bacon & Thomas

(**) Term: **14 Years**

(57) **CLAIM**

The ornamental design for a bendable flashlight, as shown and described.

(21) Appl. No.: **29/232,305**

DESCRIPTION

(22) Filed: **Jun. 17, 2005**

(51) **LOC (8) Cl.** **26-02**

(52) **U.S. Cl.** **D26/43**

(58) **Field of Classification Search** D26/37–50;
362/157, 158, 171–174, 183–208
See application file for complete search history.

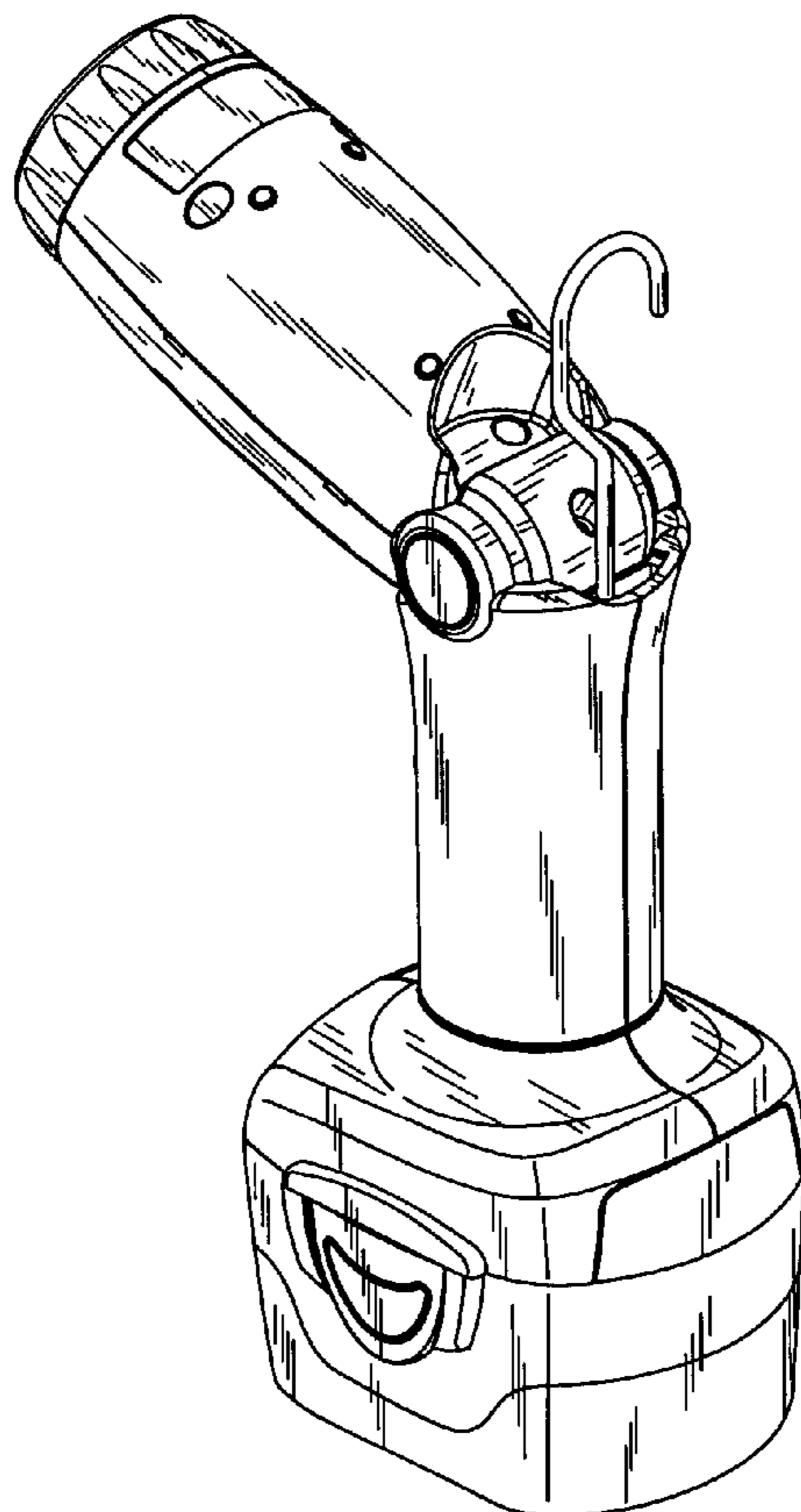
FIG. 1 shows a perspective view of the present design.
FIG. 2 shows a right side elevational view of the present design.
FIG. 3 shows a top plan view of the present design.
FIG. 4 shows a front elevational view of the present design.
FIG. 5 shows a bottom plan view of the present design.
FIG. 6 shows a left side elevational view of the present design.
FIG. 7 shows a rear elevational view of the present design; and,
FIG. 8 is a perspective view of the present design showing the flashlight is bent.

(56) **References Cited**

U.S. PATENT DOCUMENTS

D390,985 S	*	2/1998	Shiau	D26/43
D392,759 S	*	3/1998	Howard et al.	D26/44
D405,552 S	*	2/1999	Howard et al.	D26/44
D410,293 S	*	5/1999	Prince	D26/43
D422,730 S	*	4/2000	Byler et al.	D26/44

1 Claim, 5 Drawing Sheets



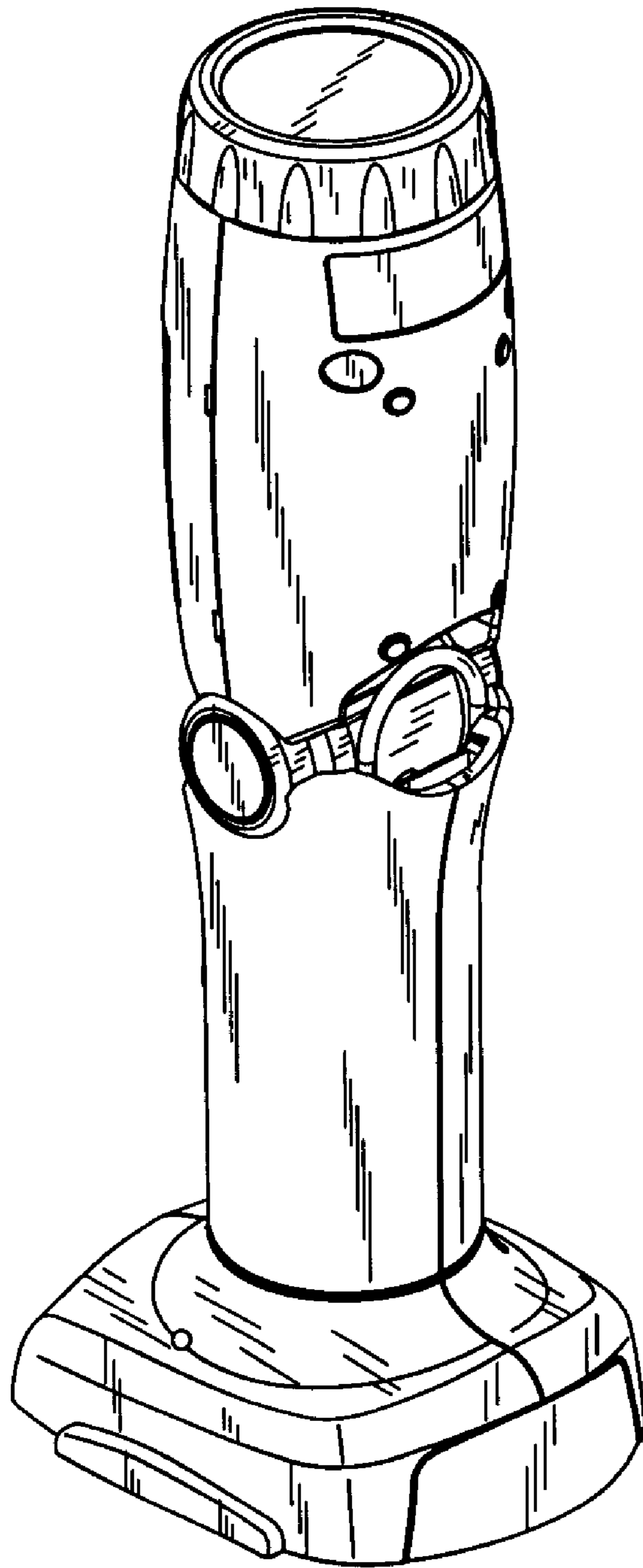


FIG. 1

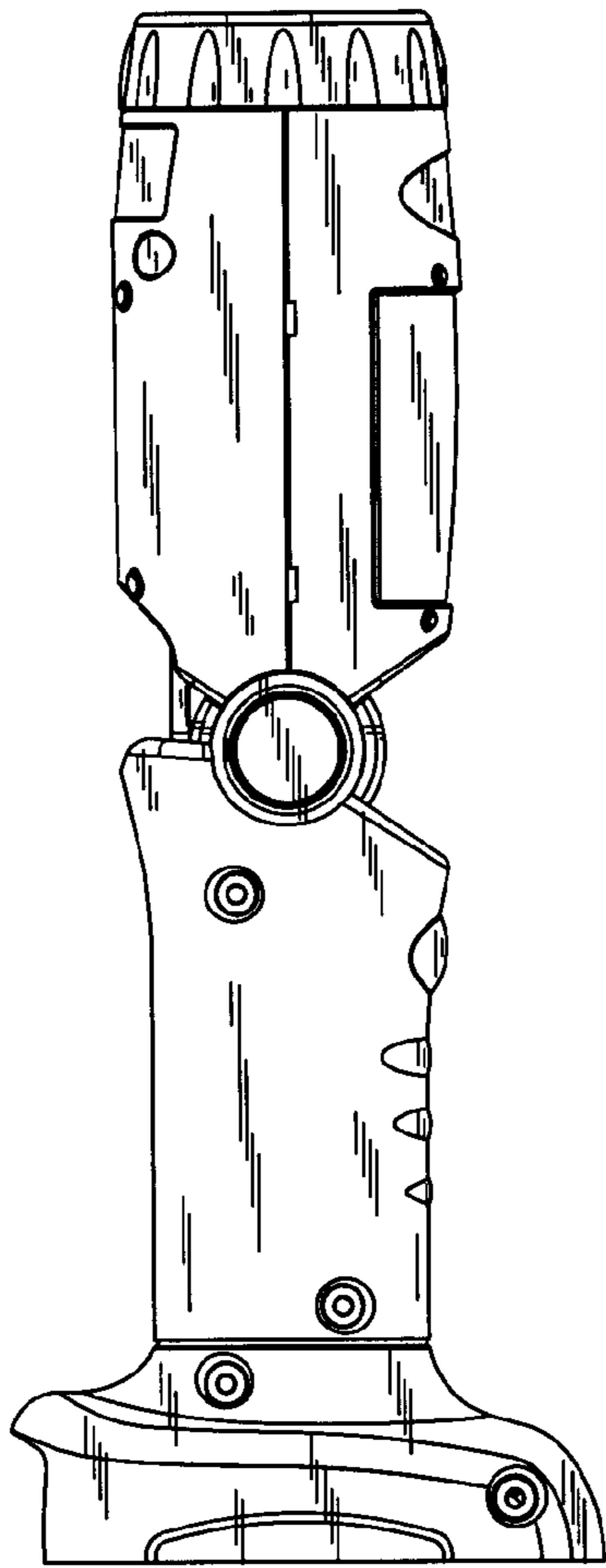


FIG. 2

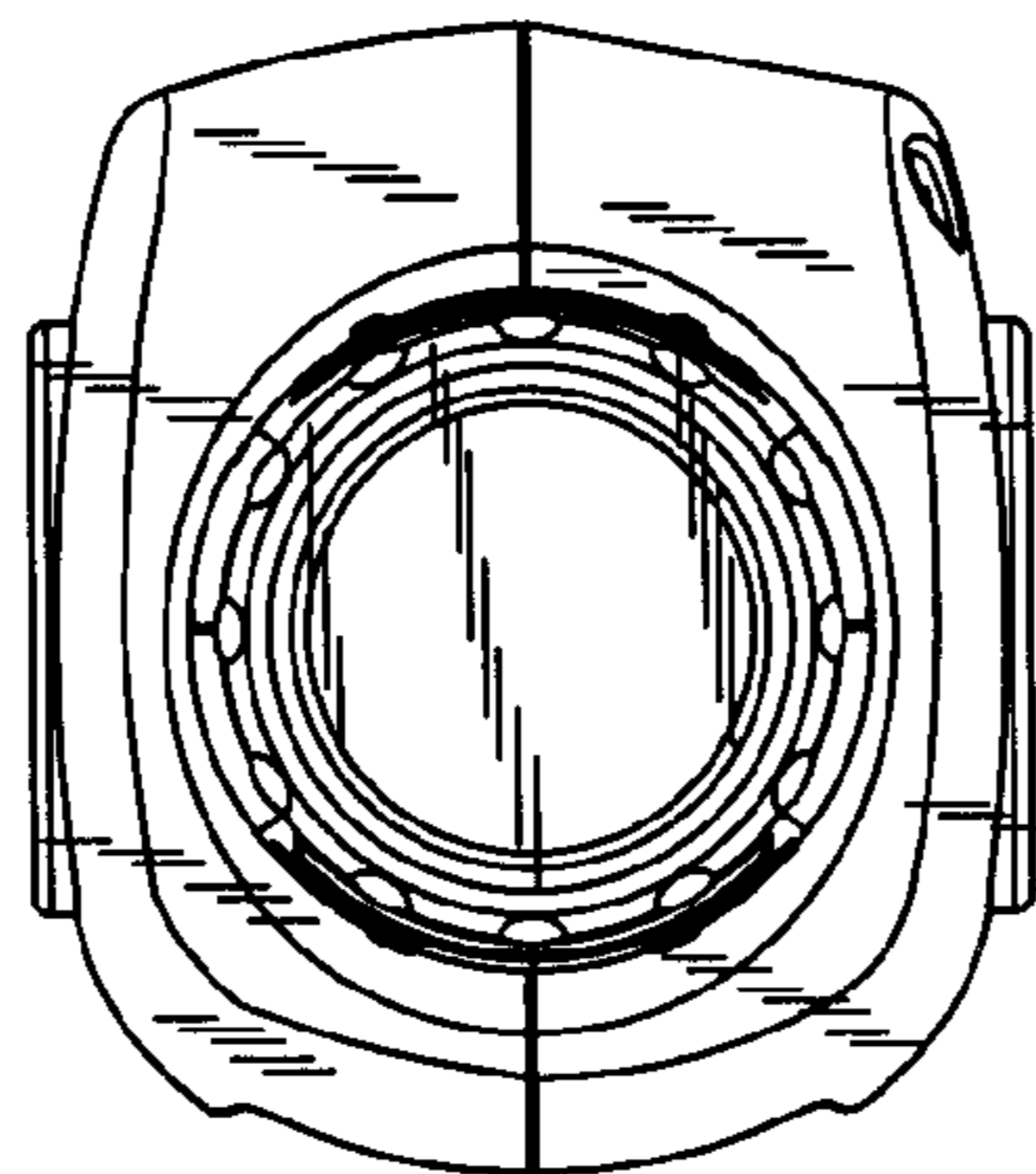


FIG. 3

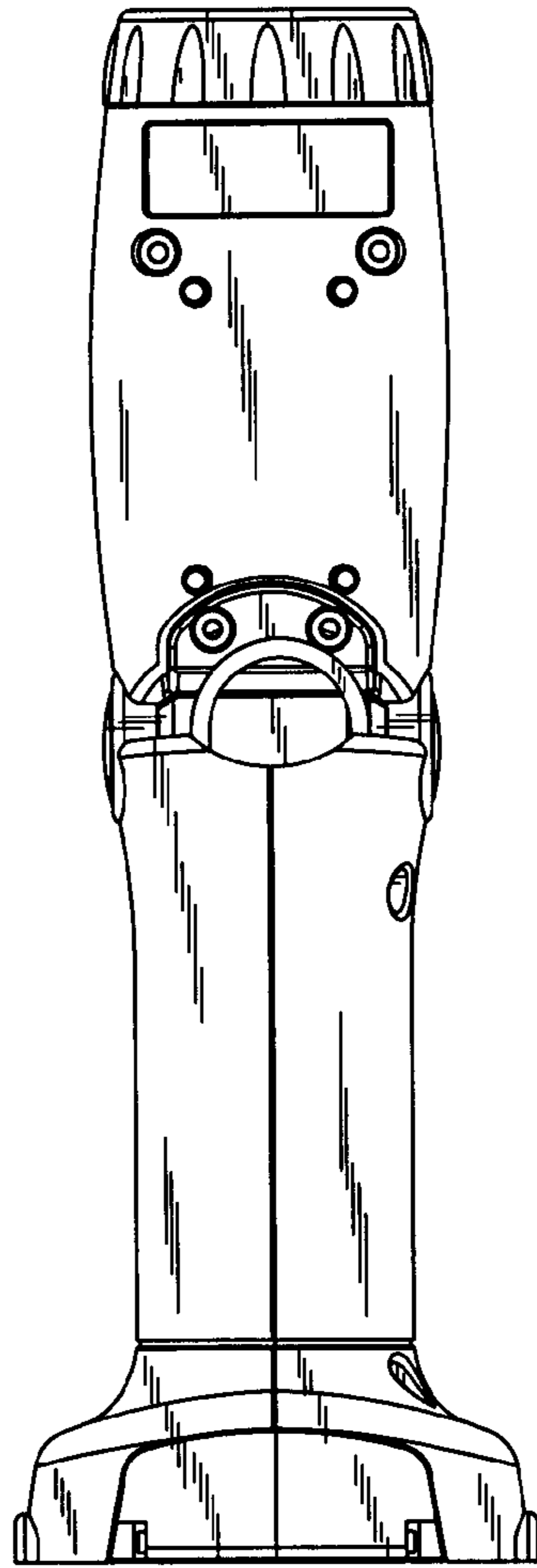


FIG. 4

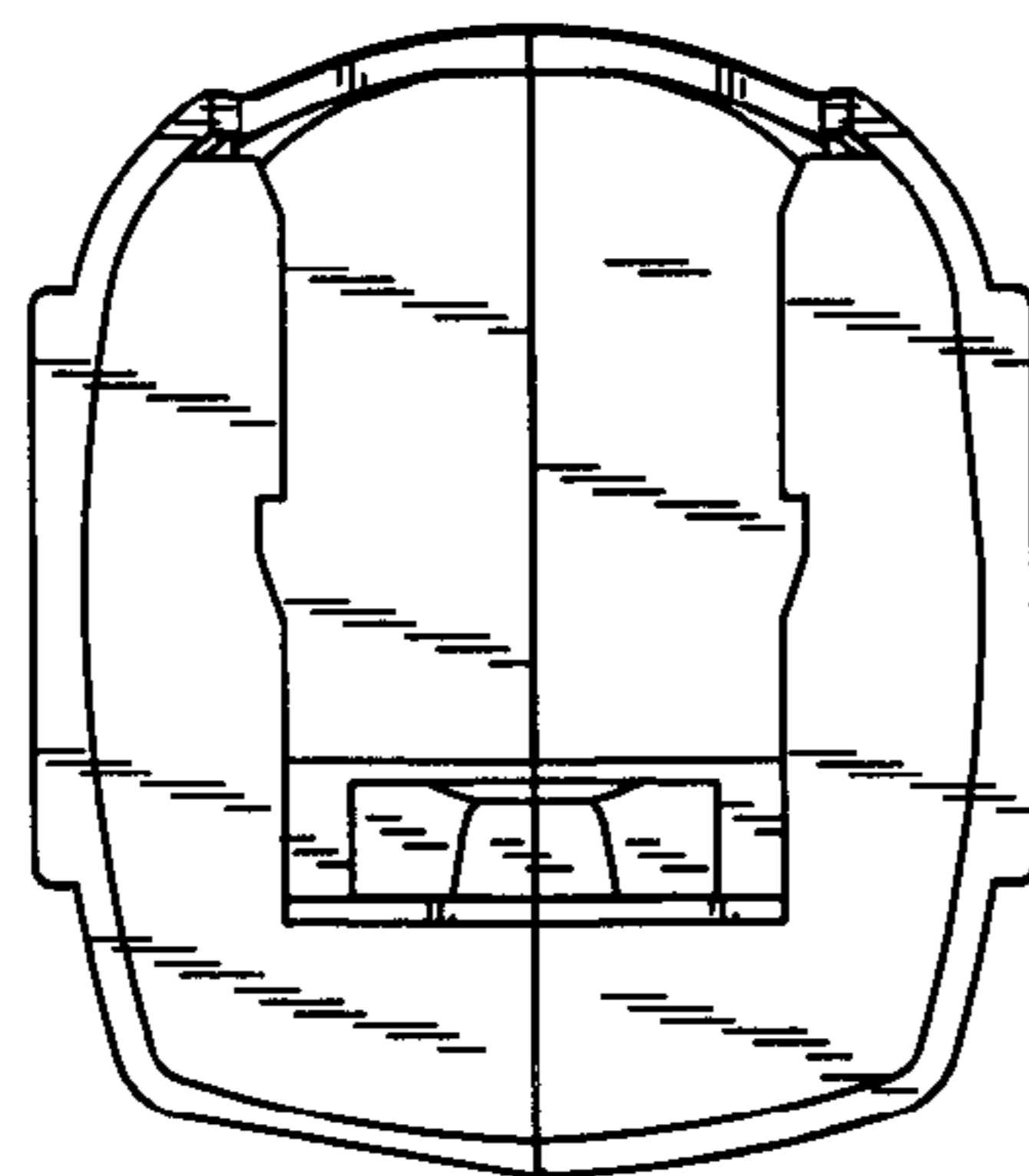


FIG. 5

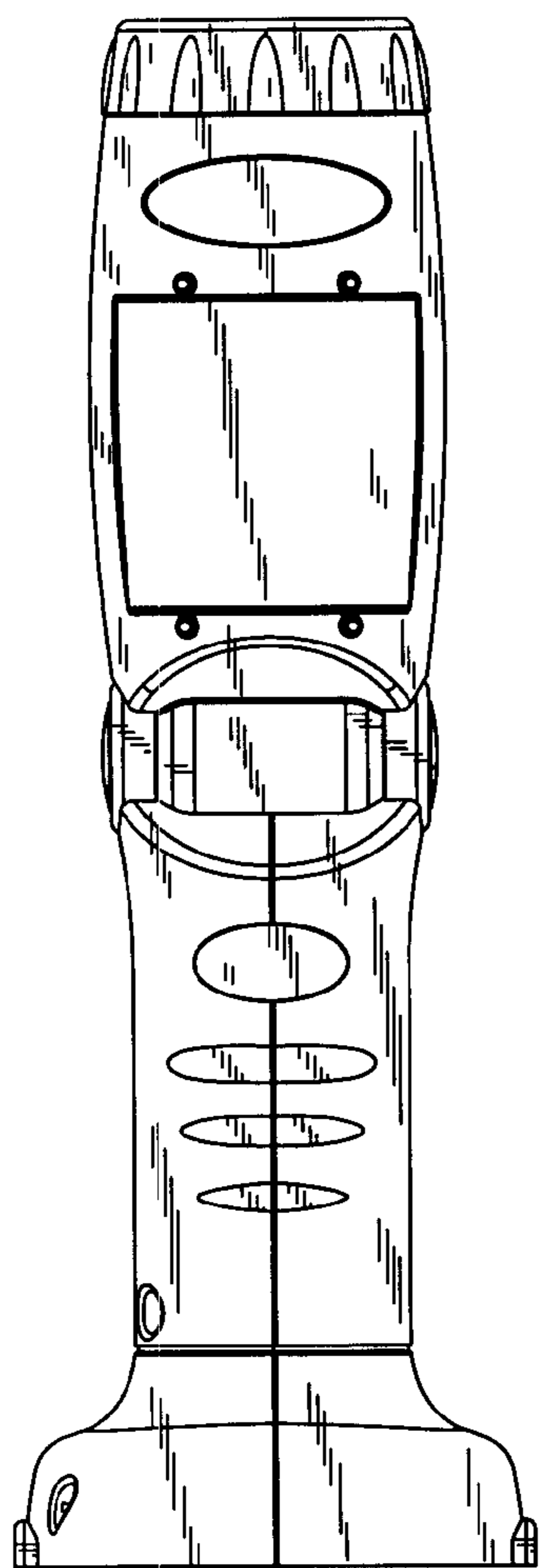


FIG. 7

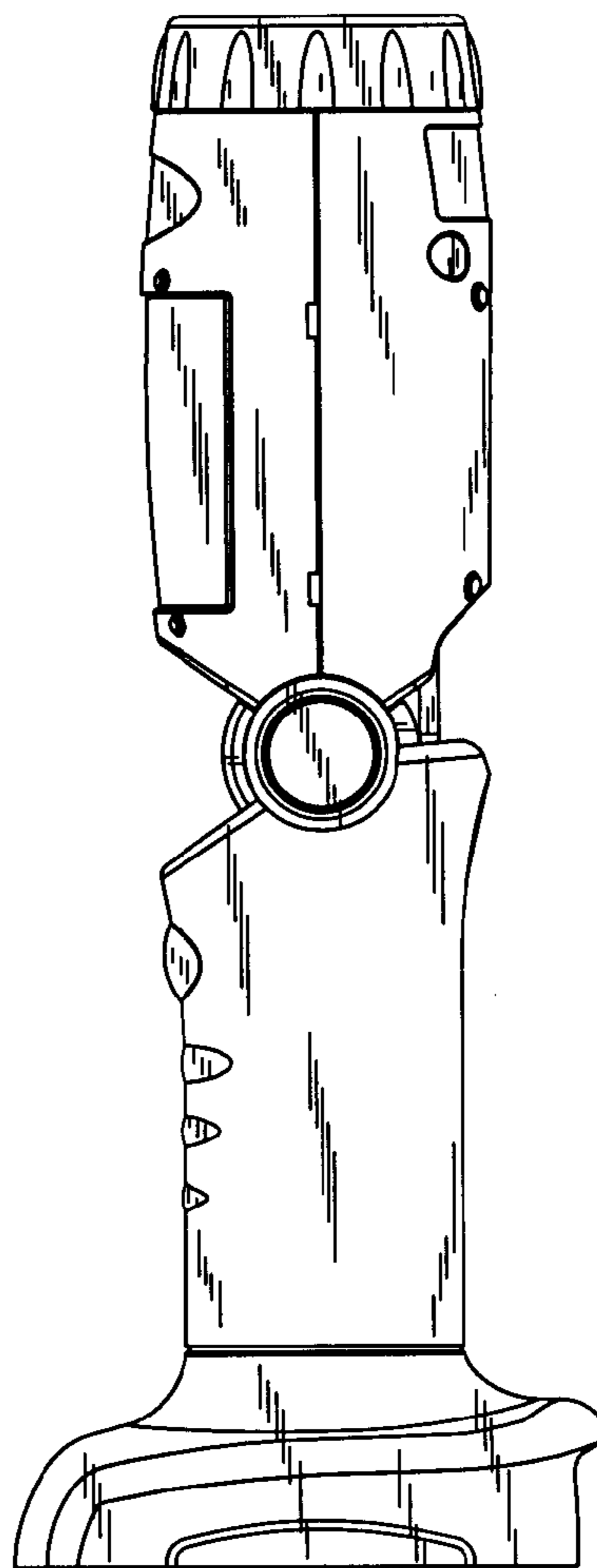


FIG. 6

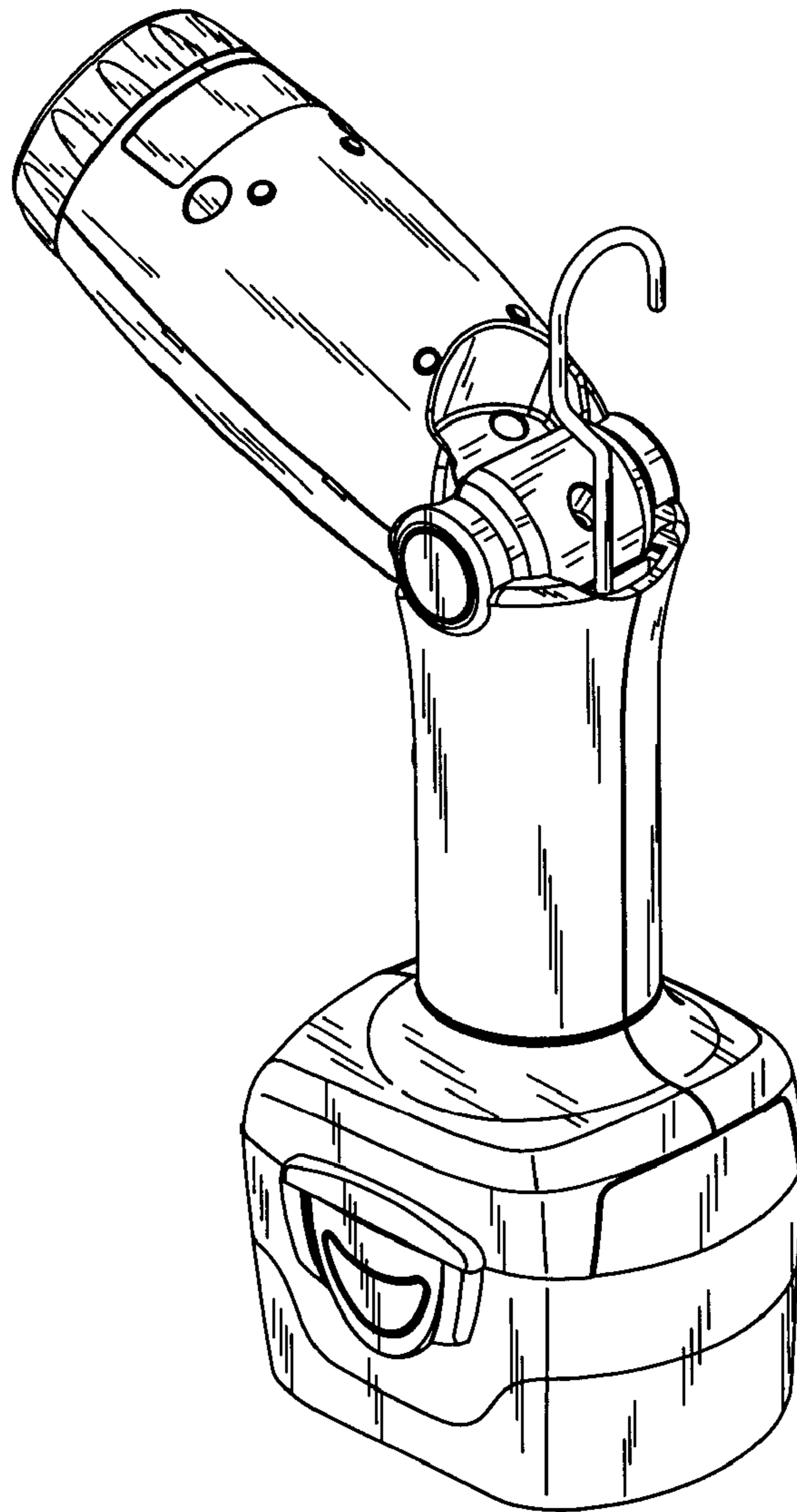


FIG. 8