



US00D529647S

(12) **United States Design Patent**
Shiu

(10) **Patent No.:** **US D529,647 S**

(45) **Date of Patent:** **** Oct. 3, 2006**

(54) **LANTERN**

(75) **Inventor:** **Stephanie Wai Man Shiu, Kowloon (HK)**

(73) **Assignee:** **Gold Coral International Limited, Kowloon (HK)**

(**) **Term:** **14 Years**

(21) **Appl. No.:** **29/234,477**

(22) **Filed:** **Jul. 18, 2005**

(30) **Foreign Application Priority Data**

Mar. 16, 2005 (HK) 0500546

(51) **LOC (8) Cl.** **26-02**

(52) **U.S. Cl.** **D26/40**

(58) **Field of Classification Search** D26/37-50;
362/157, 158, 171-174, 183-208
See application file for complete search history.

(56) **References Cited**

U.S. PATENT DOCUMENTS

D433,762 S * 11/2000 Yuen D26/40

D434,163 S * 11/2000 Lee D26/40
D483,892 S * 12/2003 Poon D26/40
D486,598 S * 2/2004 Lo D26/40
D487,809 S * 3/2004 Leung et al. D26/40
D500,378 S * 12/2004 Kung D26/40

* cited by examiner

Primary Examiner—Marcus A. Jackson
(74) *Attorney, Agent, or Firm*—Carmody & Torrance LLP

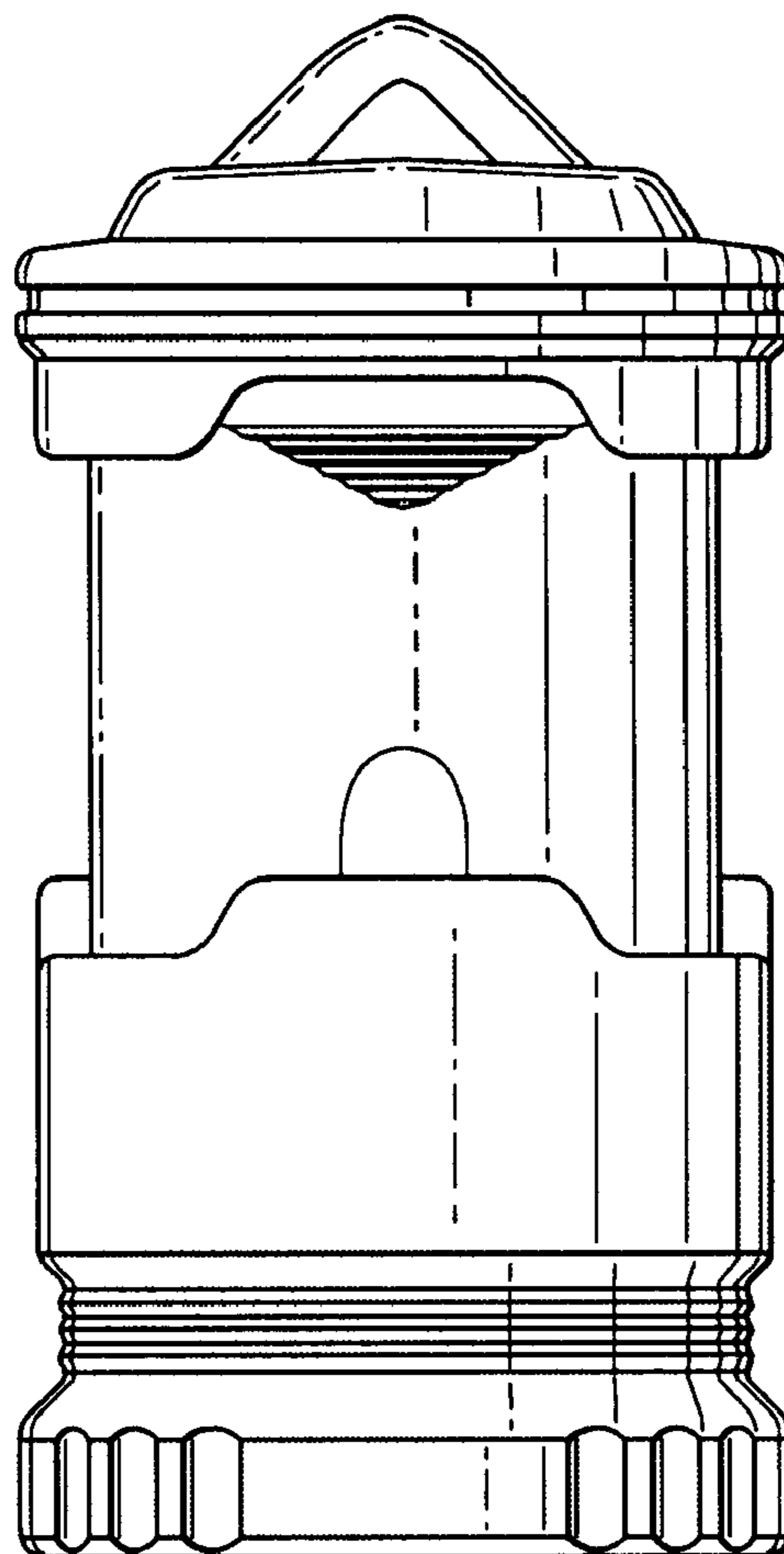
(57) **CLAIM**

The ornamental design for a lantern, as shown and described.

DESCRIPTION

FIG. 1 is a front view of a lantern showing my new design;
FIG. 2 is a rear view thereof;
FIG. 3 is a right side view thereof;
FIG. 4 is a left side view thereof;
FIG. 5 is a top plan view thereof; and,
FIG. 6 is a bottom plan view thereof.

1 Claim, 2 Drawing Sheets



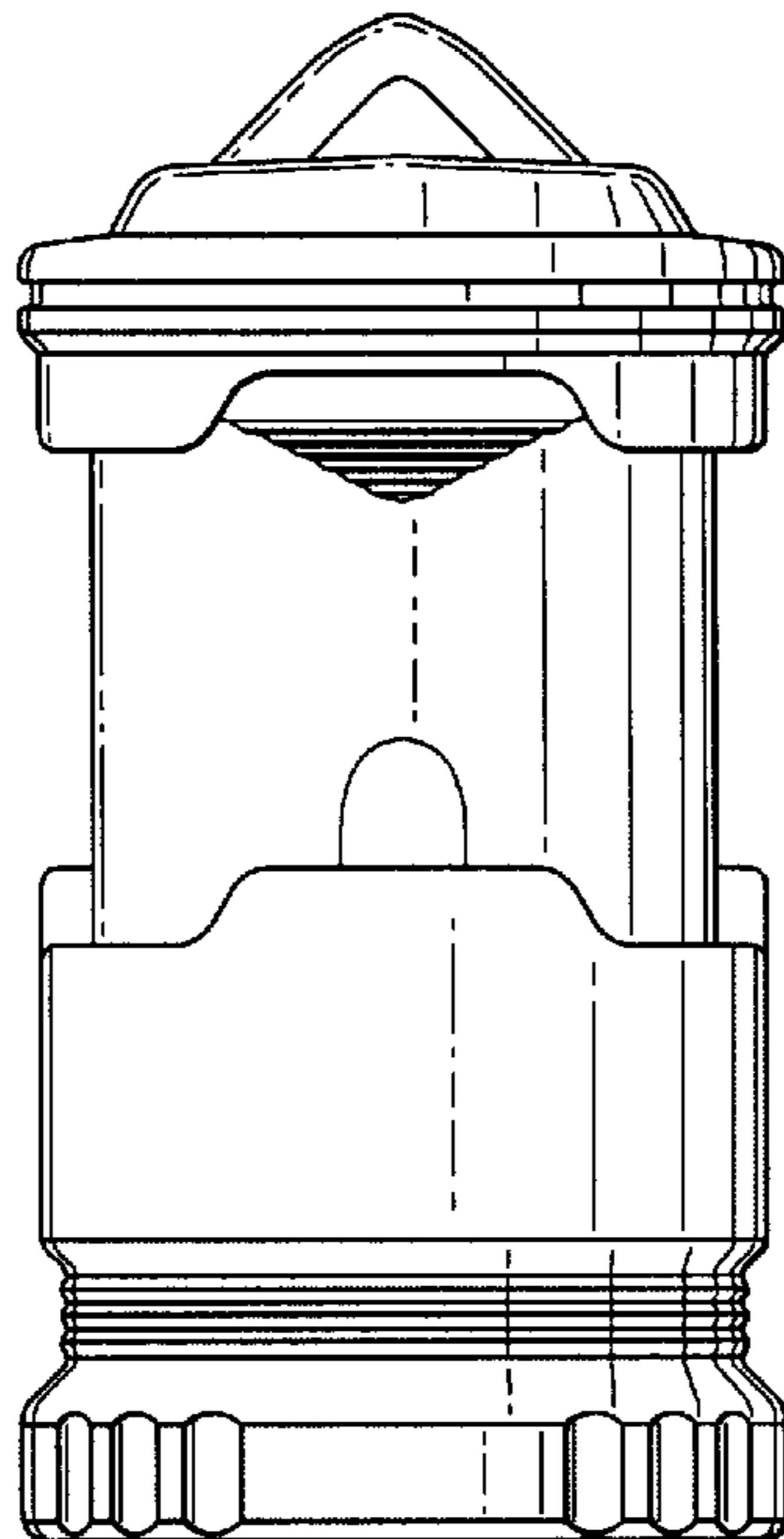


FIG. 1

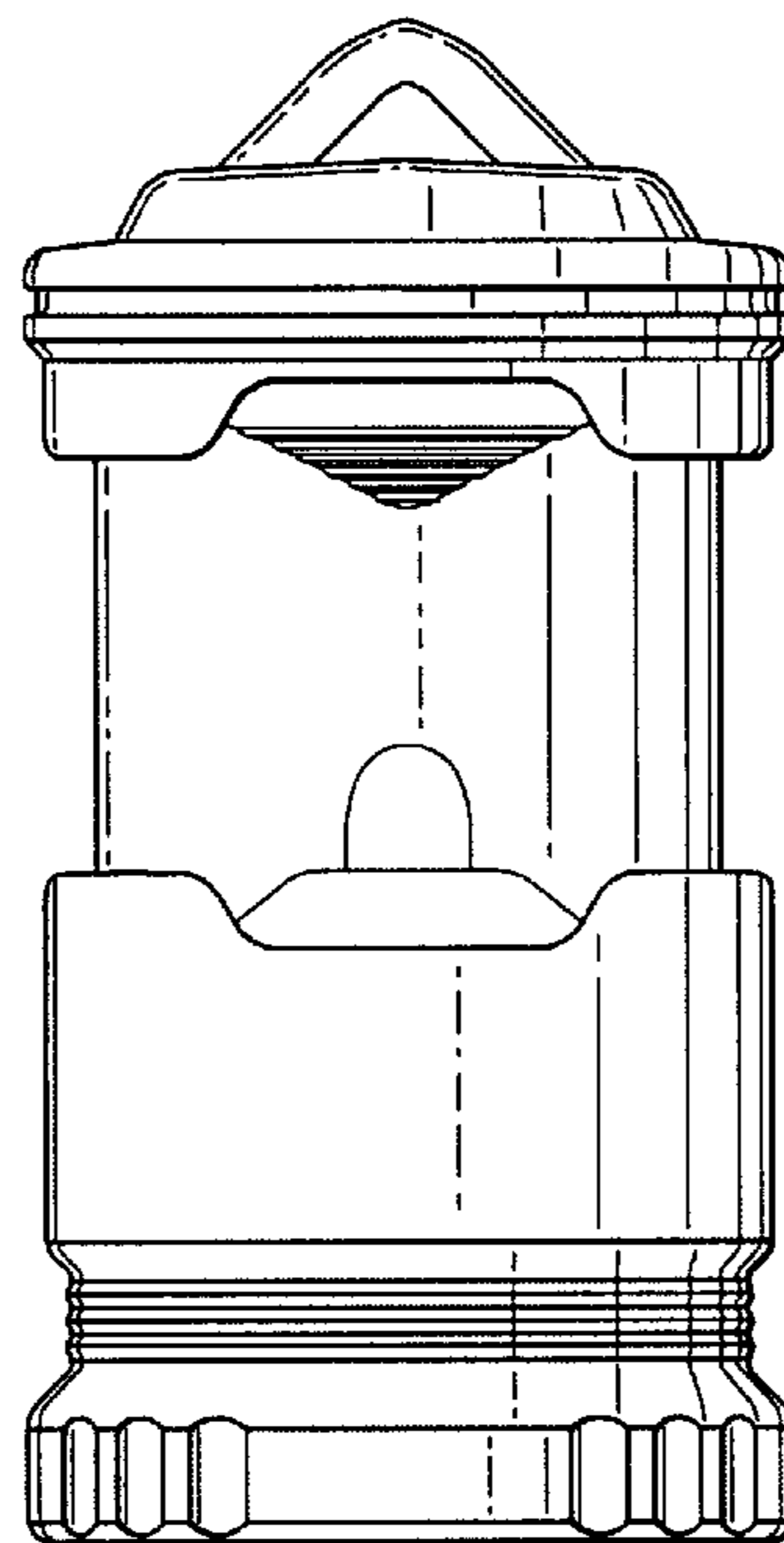


FIG. 2

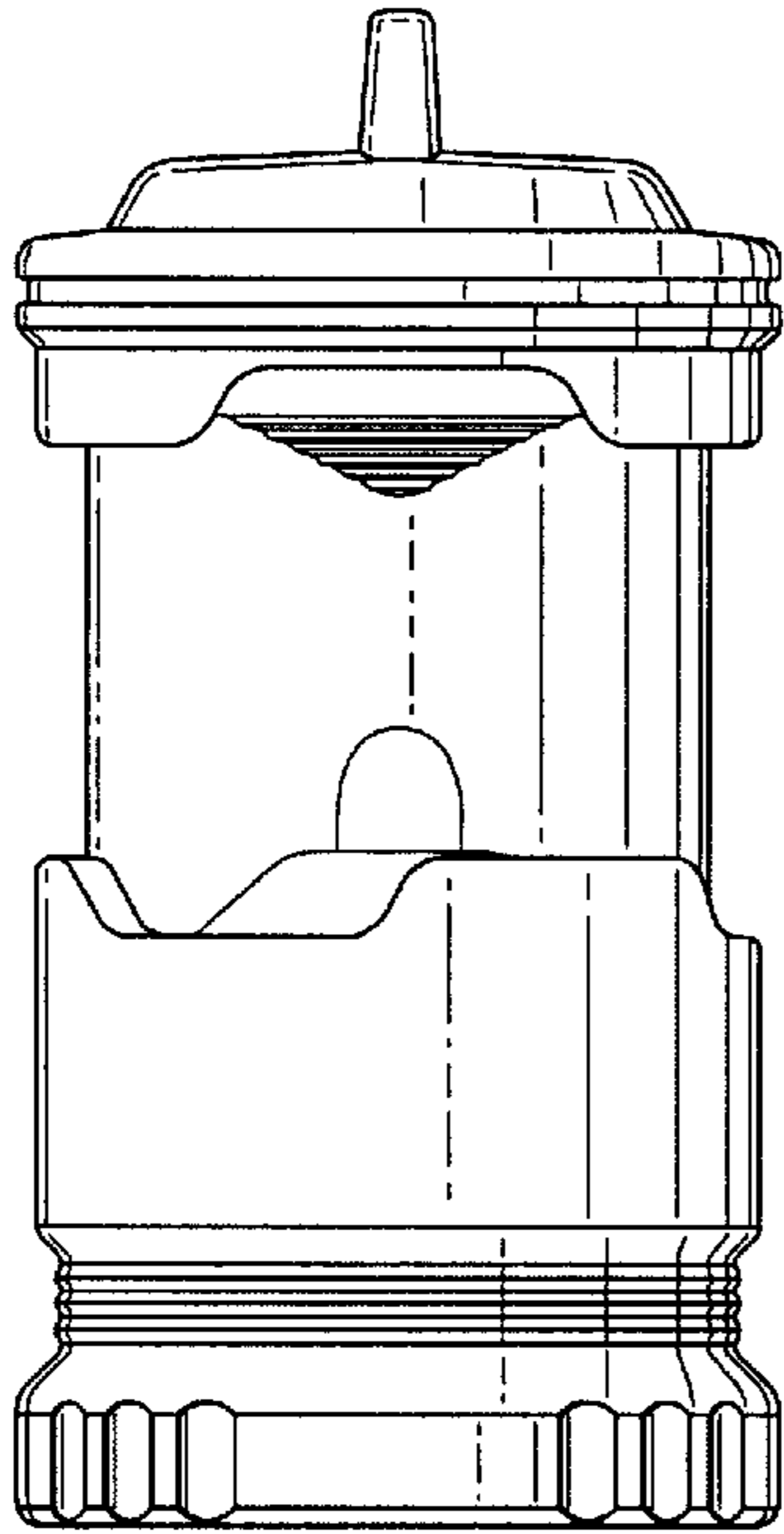


FIG. 3

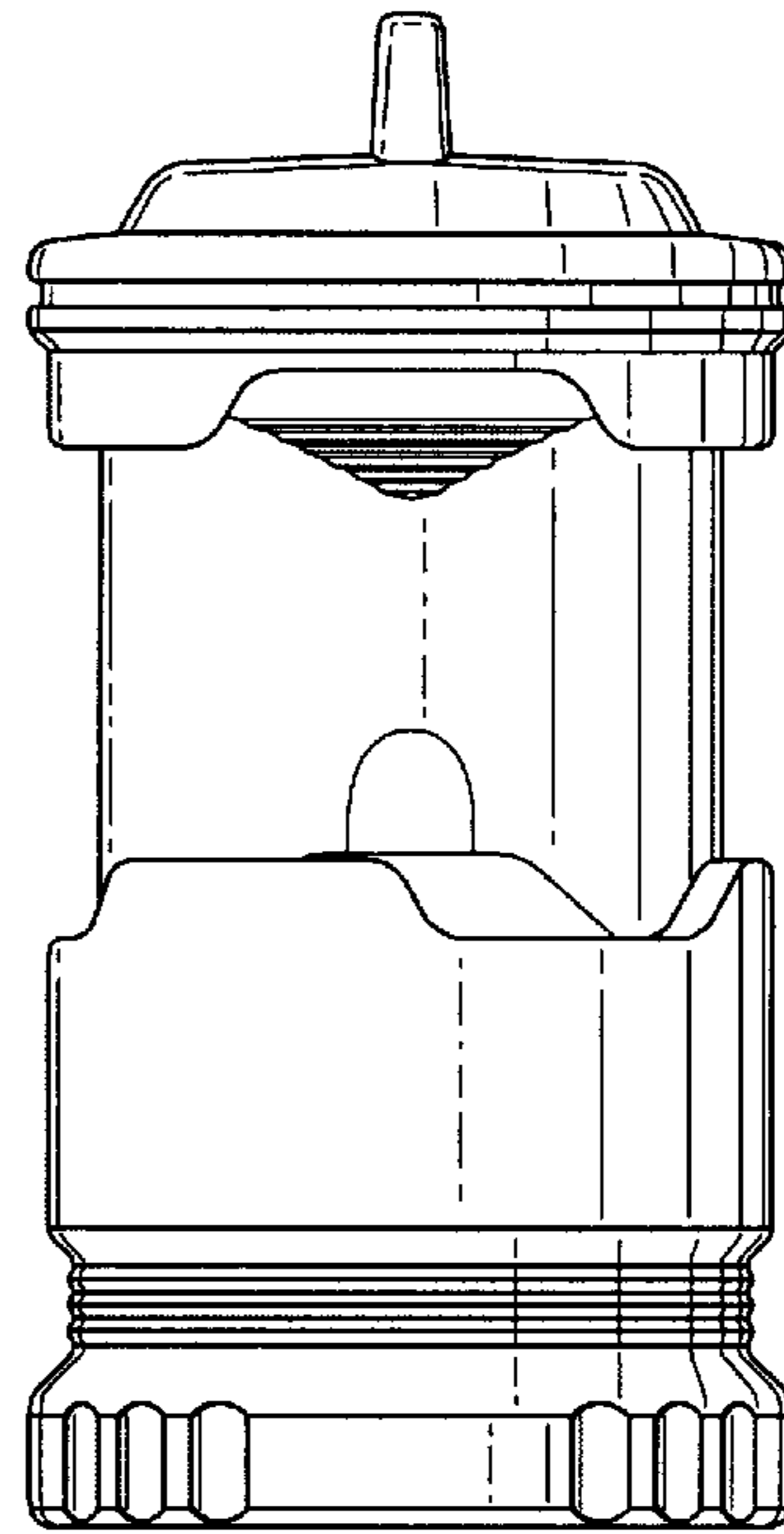


FIG. 4

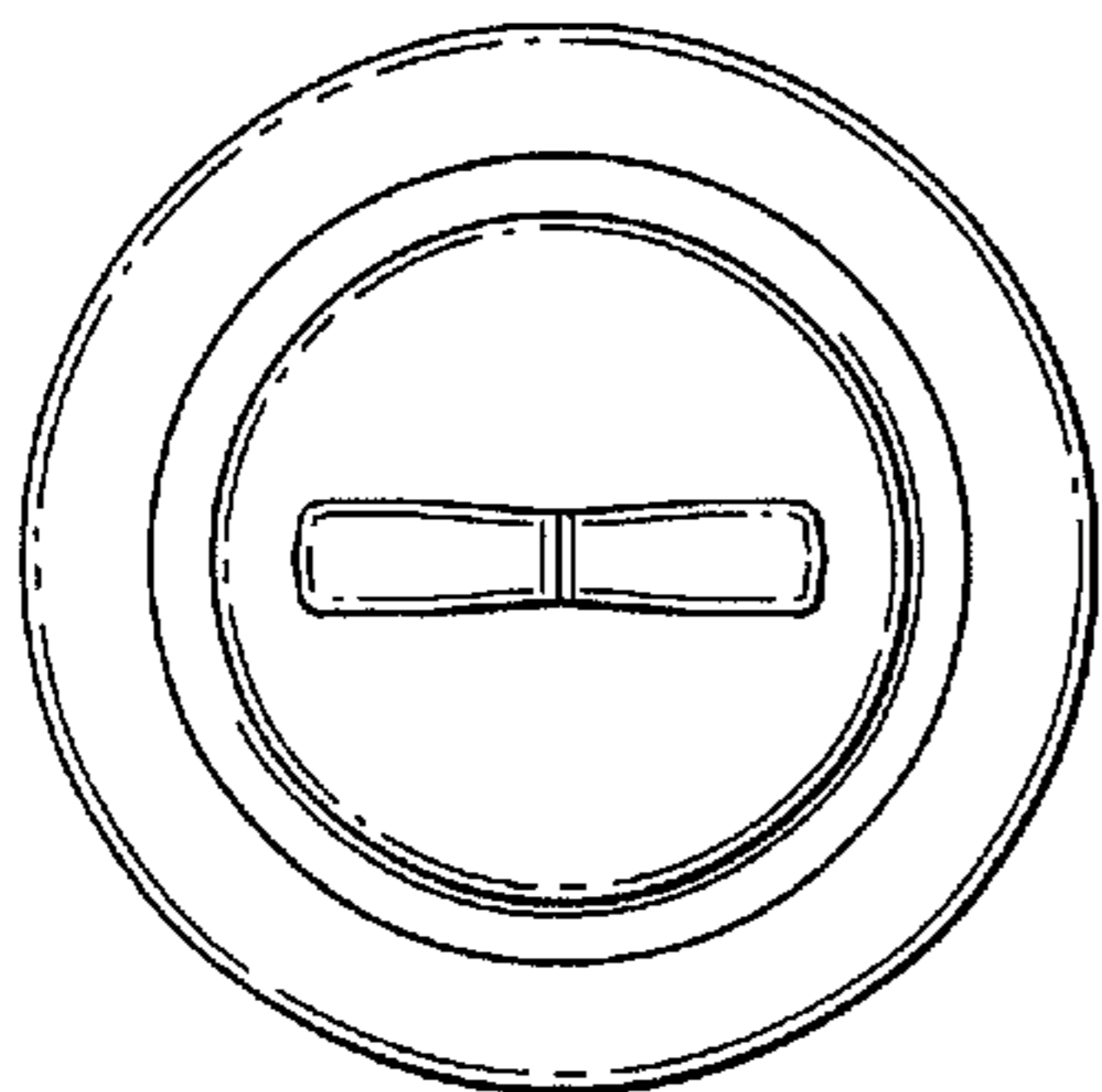


FIG. 5

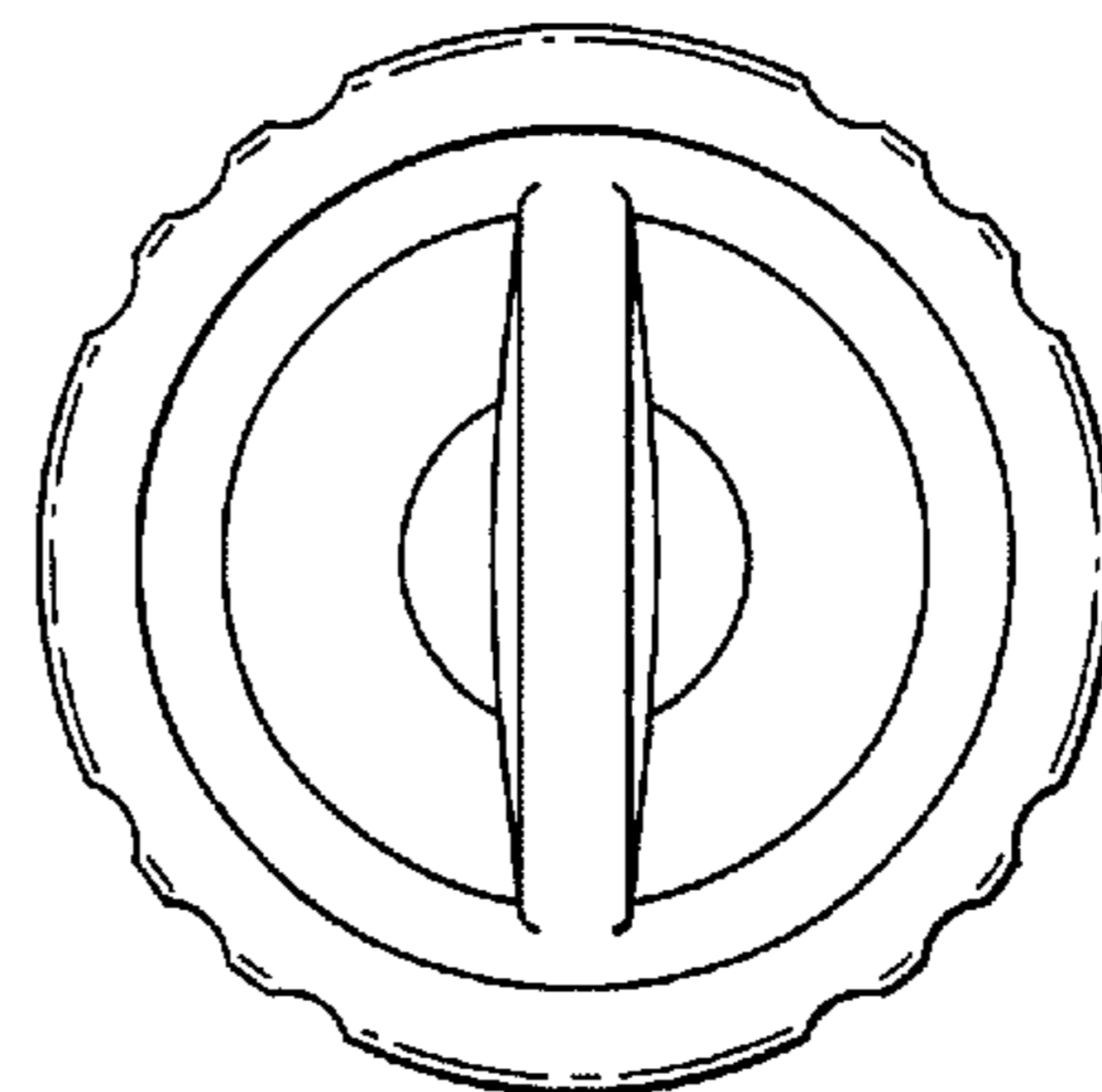


FIG. 6