



US00D529646S

(12) **United States Design Patent** (10) **Patent No.:** **US D529,646 S**  
**Hogg** (45) **Date of Patent:** **\*\* Oct. 3, 2006**

(54) **ILLUMINATION DEVICE**

(76) Inventor: **Gary Hogg**, 1108 N. Jefferson St.,  
Princeton, KY (US) 42445

(\*\*) Term: **14 Years**

(21) Appl. No.: **29/234,482**

(22) Filed: **Jul. 19, 2005**

(51) **LOC (8) Cl.** ..... **26-02**

(52) **U.S. Cl.** ..... **D26/39**

(58) **Field of Classification Search** ..... D26/37-50;  
362/157, 158, 171-174, 183-208

See application file for complete search history.

(56) **References Cited**

**U.S. PATENT DOCUMENTS**

D274,758 S *	7/1984	Shing .....	D26/39
D368,316 S *	3/1996	Jansson .....	D26/39
D407,511 S *	3/1999	Wright et al. ....	D26/39
D498,863 S *	11/2004	Poon .....	D26/28
6,902,290 B1 *	6/2005	Watts et al. ....	362/103

\* cited by examiner

*Primary Examiner*—Marcus A. Jackson  
(74) *Attorney, Agent, or Firm*—J. M. Robertson;  
Intellectual Prop., LLC

(57) **CLAIM**

An ornamental design for an illumination device, as shown and described.

**DESCRIPTION**

FIG. 1 is a perspective view of the illumination device illustrating top, side and end surfaces;

FIG. 2 is an elevation top view of the illumination device, with the wire broken away to indicate indeterminate length;

FIG. 3 is a view illustrating a lateral side surface of the illumination device;

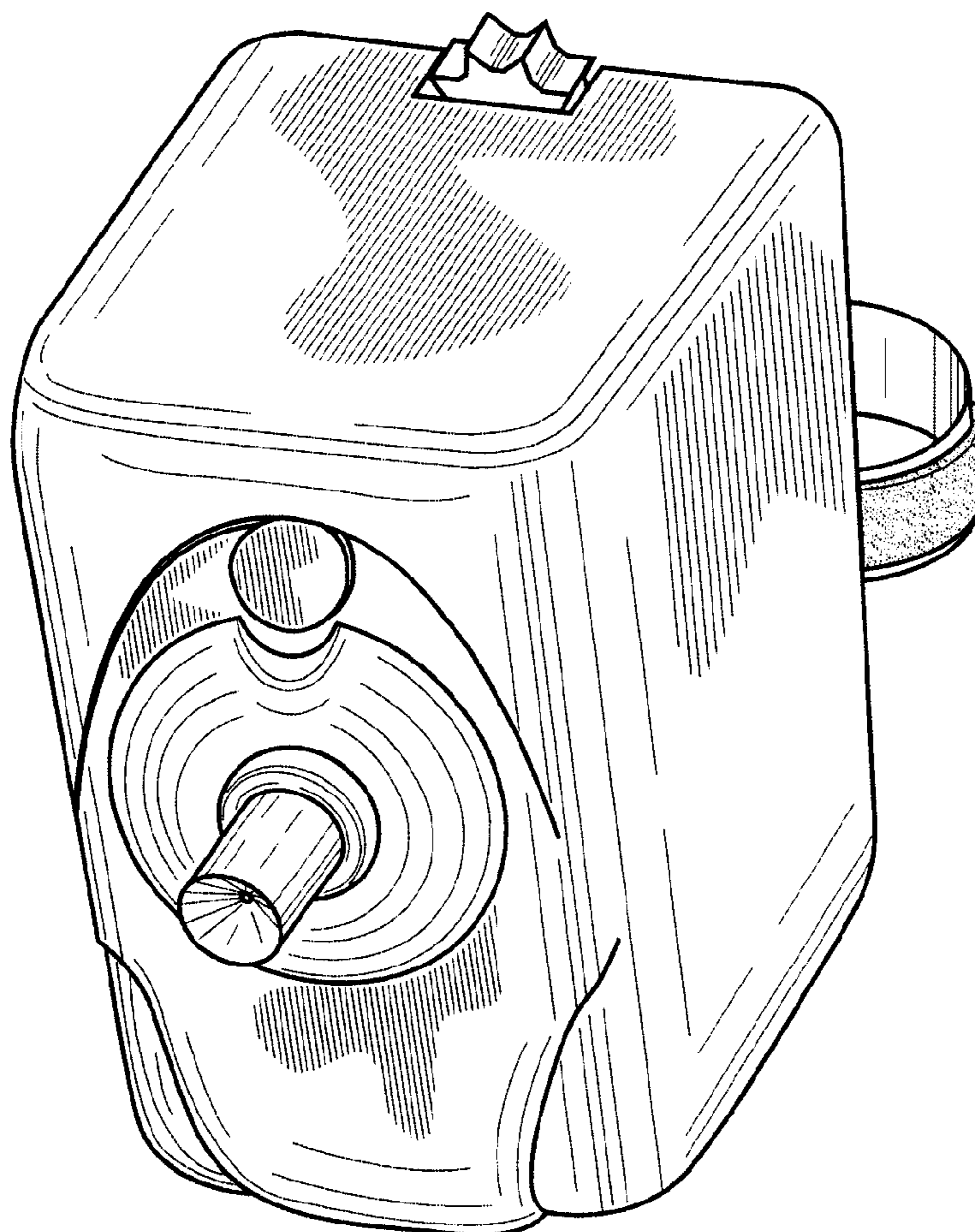
FIG. 4 is a bottom view of the illumination device;

FIG. 5 is a view illustrating a lateral side surface of the illumination device;

FIG. 6 is a view illustrating one end surface of the illumination device; and,

FIG. 7 is a view illustrating the end surface opposing the end surface of FIG. 6.

**1 Claim, 4 Drawing Sheets**



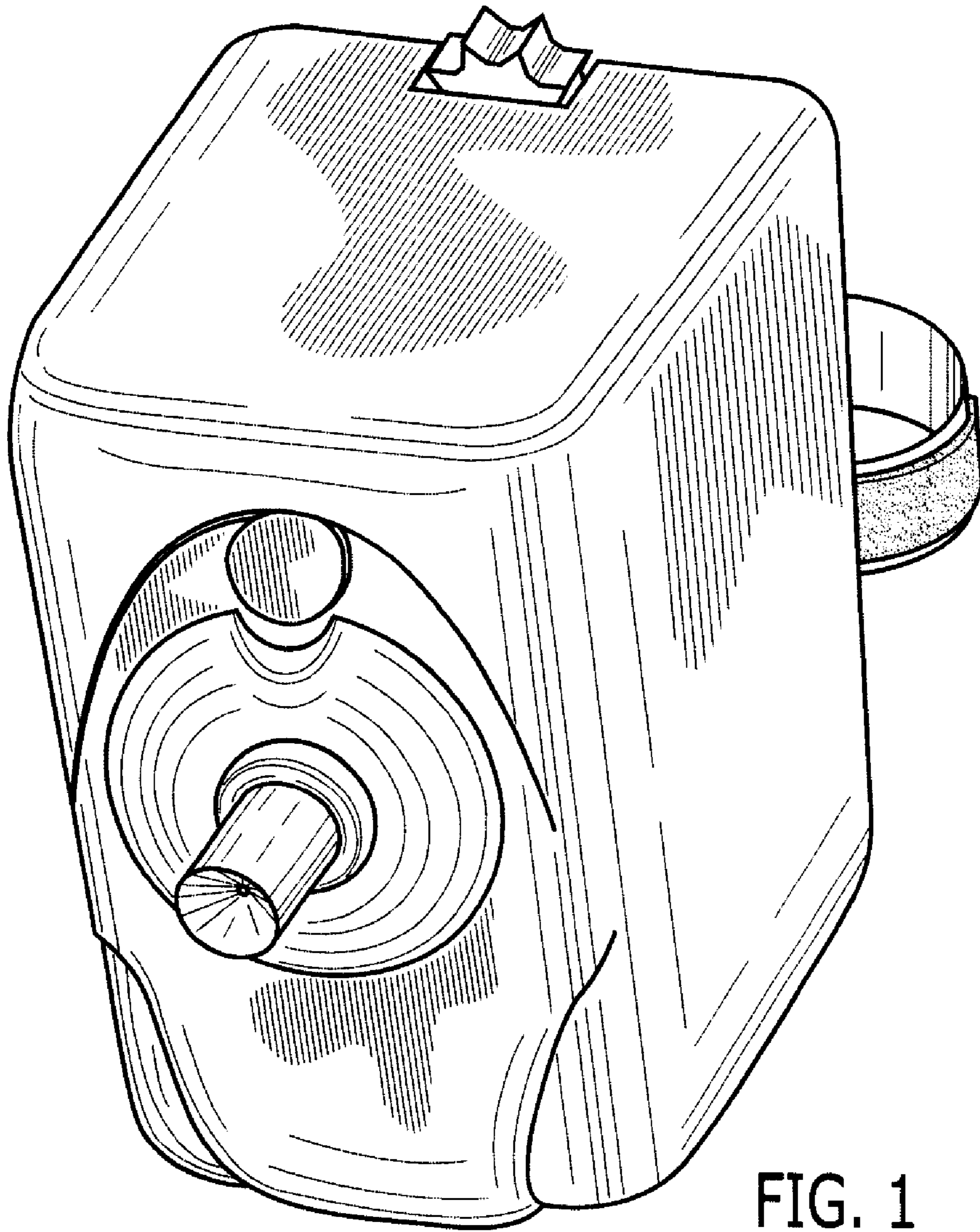


FIG. 1

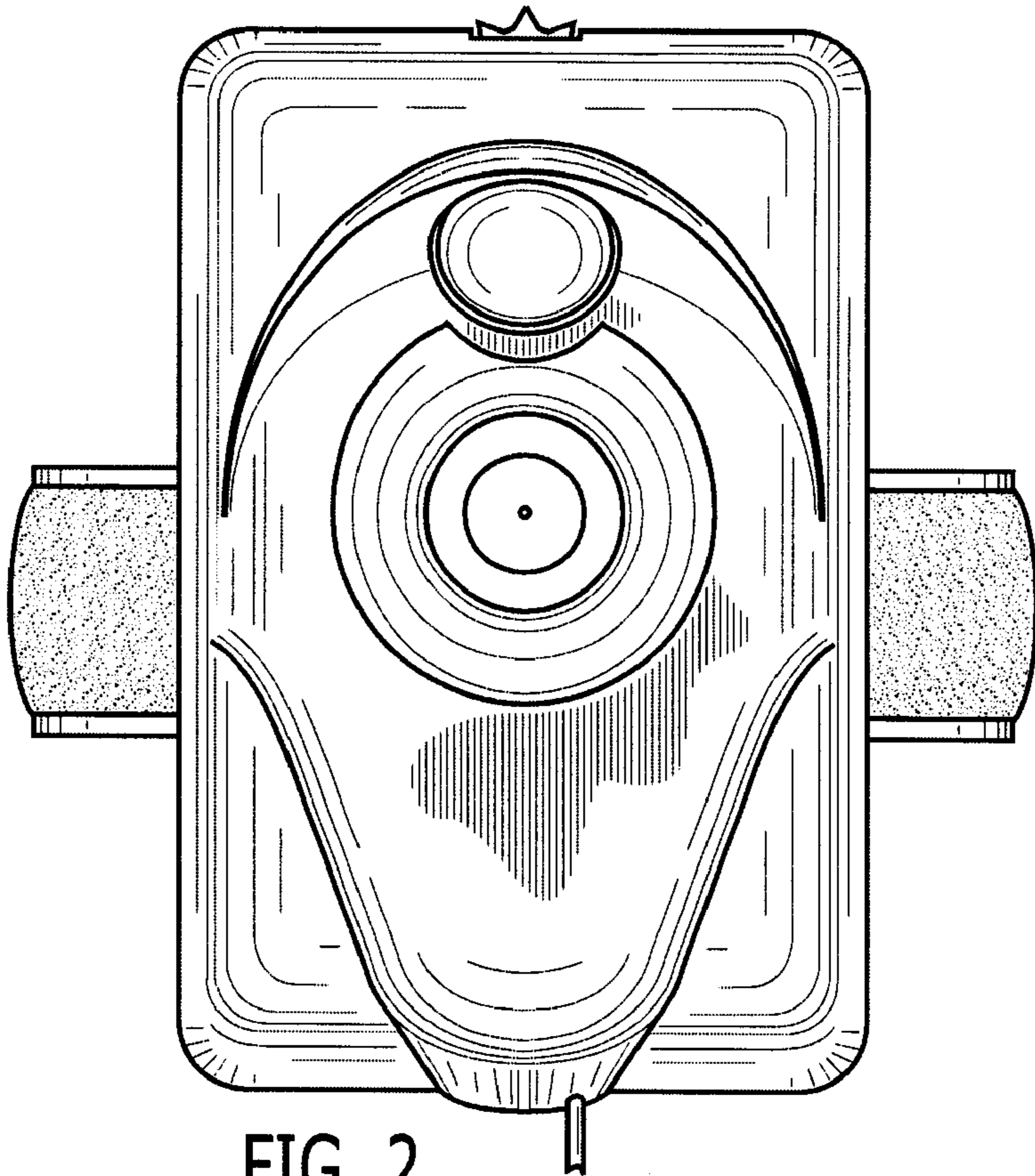


FIG. 2

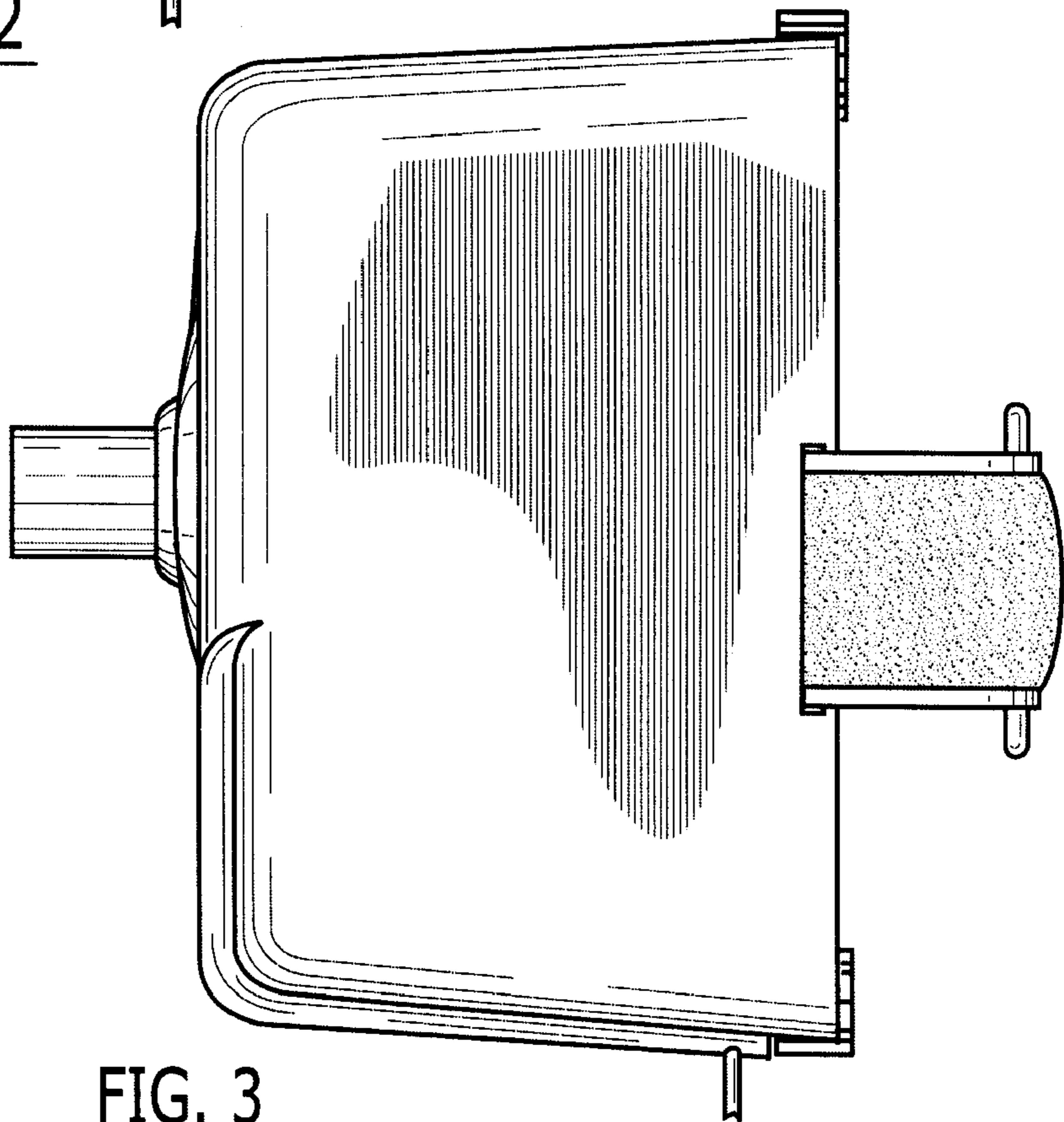


FIG. 3

