



US00D529643S

(12) **United States Design Patent**
Kung

(10) **Patent No.:** **US D529,643 S**

(45) **Date of Patent:** **** Oct. 3, 2006**

(54) **ELECTRIC TORCH**

(75) Inventor: **Kenneth Kung**, Hong Kong (CN)

(73) Assignees: **Tung Fat Industries Limited** (HK);
Dorcy International Inc.

(**) Term: **14 Years**

(21) Appl. No.: **29/232,398**

(22) Filed: **Jun. 20, 2005**

(51) **LOC (8) Cl.** **26-02**

(52) **U.S. Cl.** **D26/37**

(58) **Field of Classification Search** D26/37-50;
362/157, 158, 171-174, 183-208

See application file for complete search history.

(56) **References Cited**

U.S. PATENT DOCUMENTS

D504,737 S * 5/2005 Osiecki et al. D26/37

D508,747 S * 8/2005 Kim et al. D26/37

D513,334 S * 12/2005 Galey D26/37

D517,230 S * 3/2006 Ho D26/37

D518,583 S * 4/2006 Vickers et al. D26/37

* cited by examiner

Primary Examiner—Marcus A. Jackson

(57) **CLAIM**

The ornamental design for an electric torch, as shown.

DESCRIPTION

The claimed electric torch is used for supplying illumination.

FIG. 1 is a front elevational view of an electric torch showing my new design;

FIG. 2 is a rear elevational view thereof;

FIG. 3 is a left side view thereof;

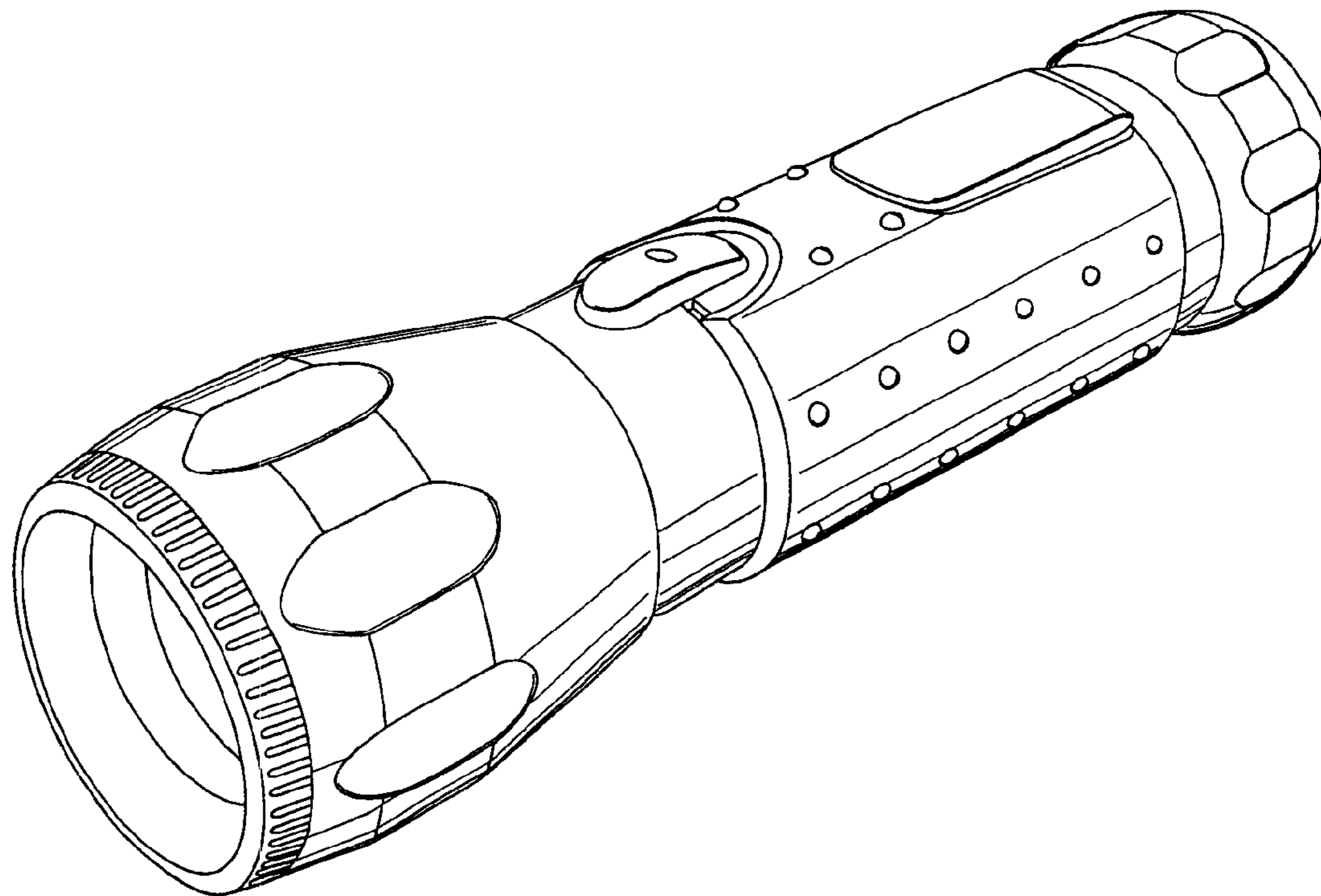
FIG. 4 is a right side view thereof;

FIG. 5 is a top plan view thereof;

FIG. 6 is a bottom plan view thereof; and,

FIG. 7 is a perspective view thereof.

1 Claim, 3 Drawing Sheets



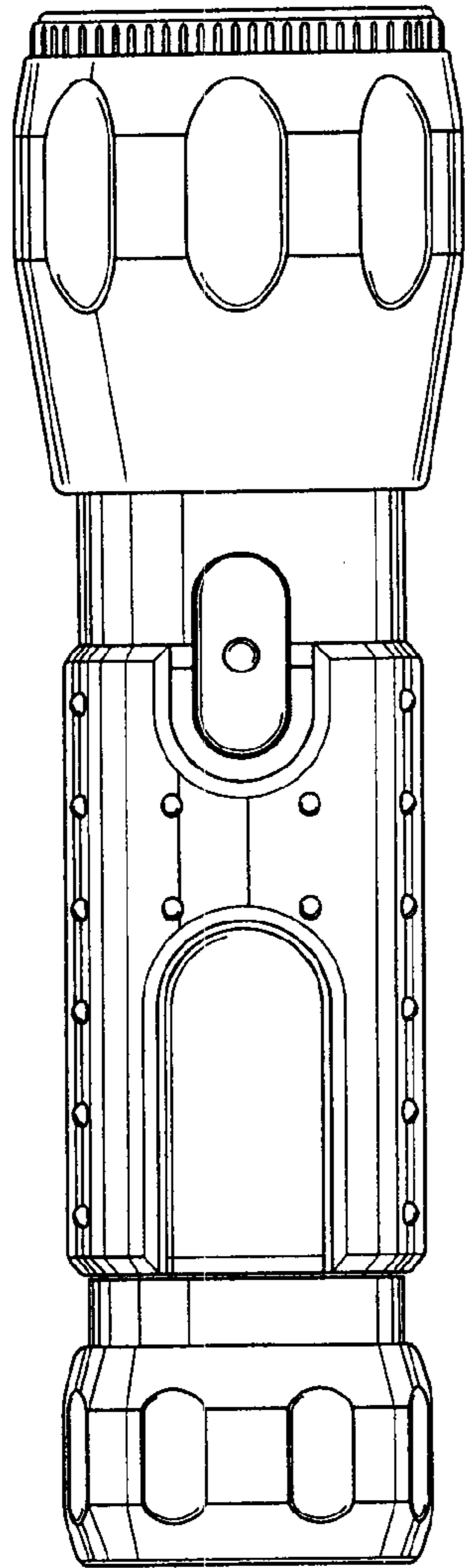


FIG. 1

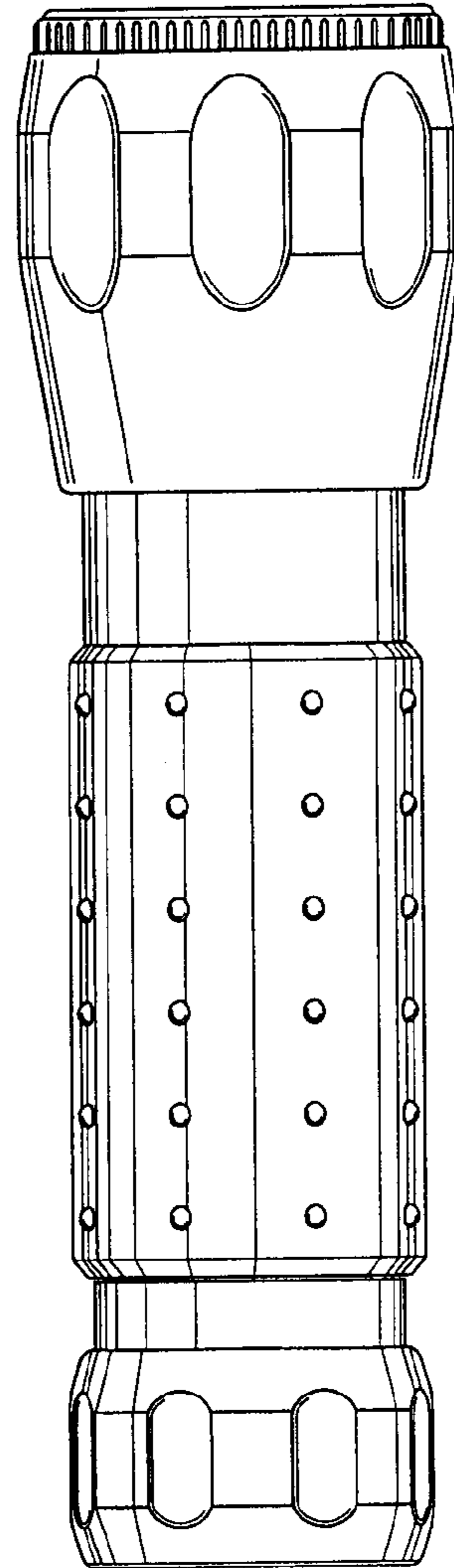


FIG. 2

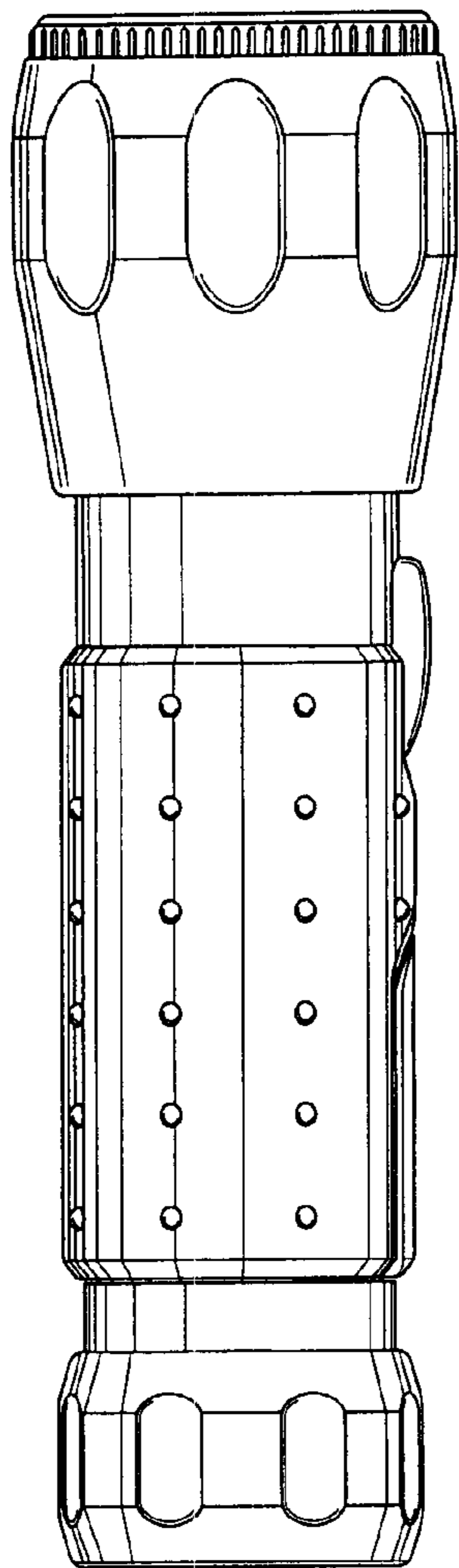


FIG. 3

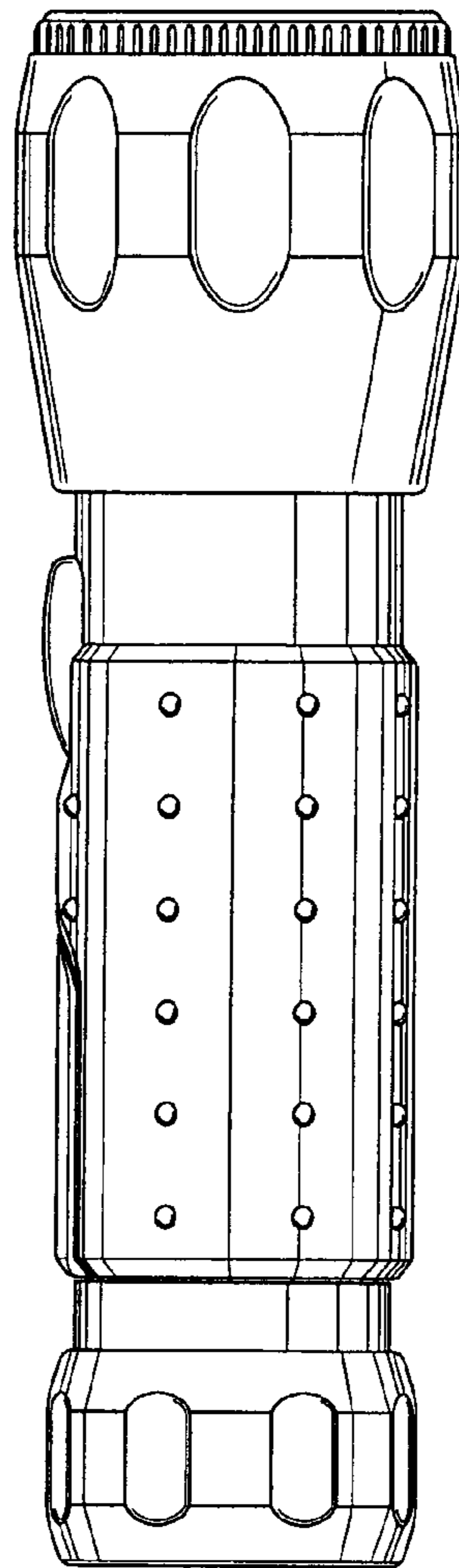


FIG. 4

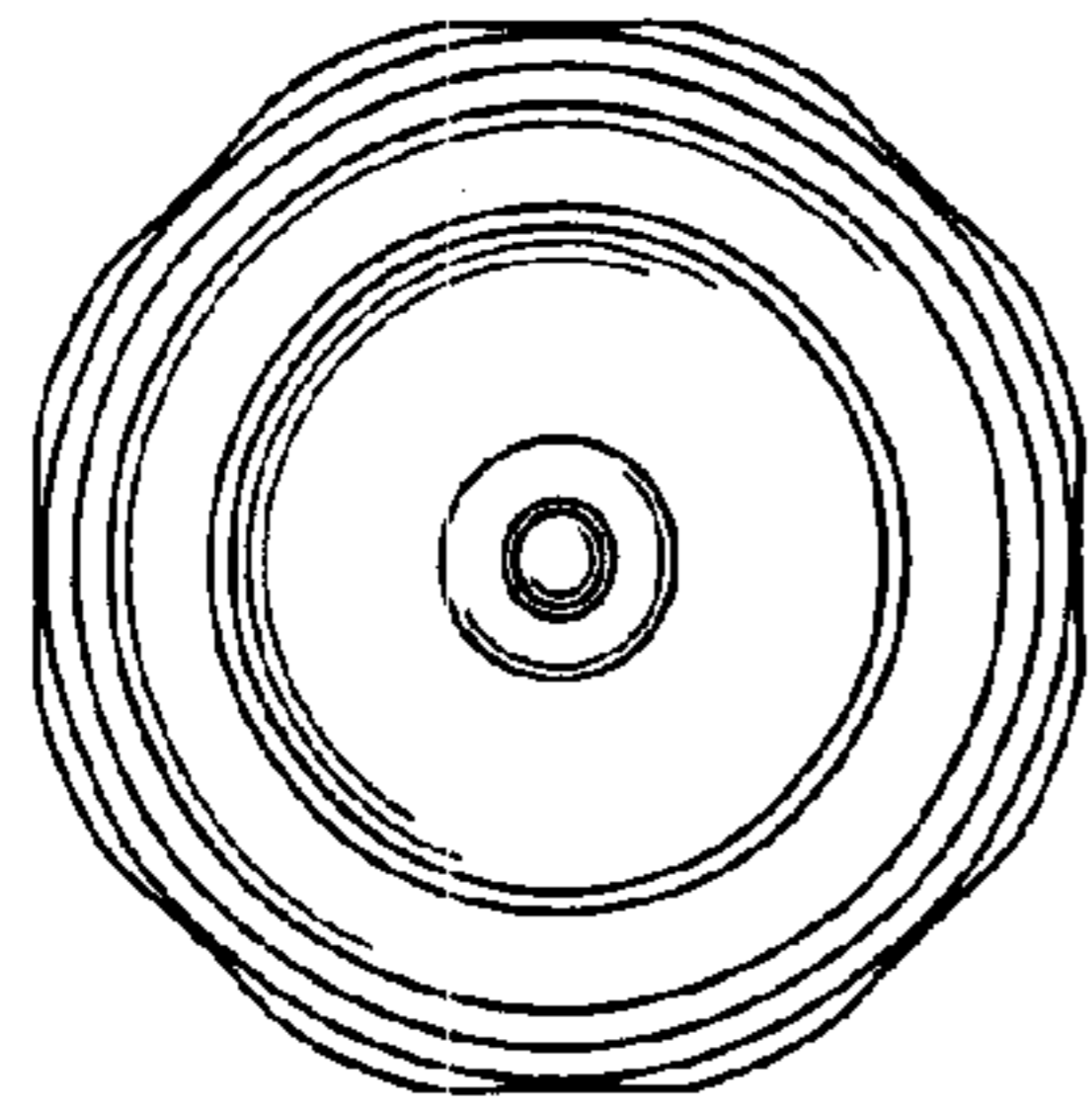


FIG. 5

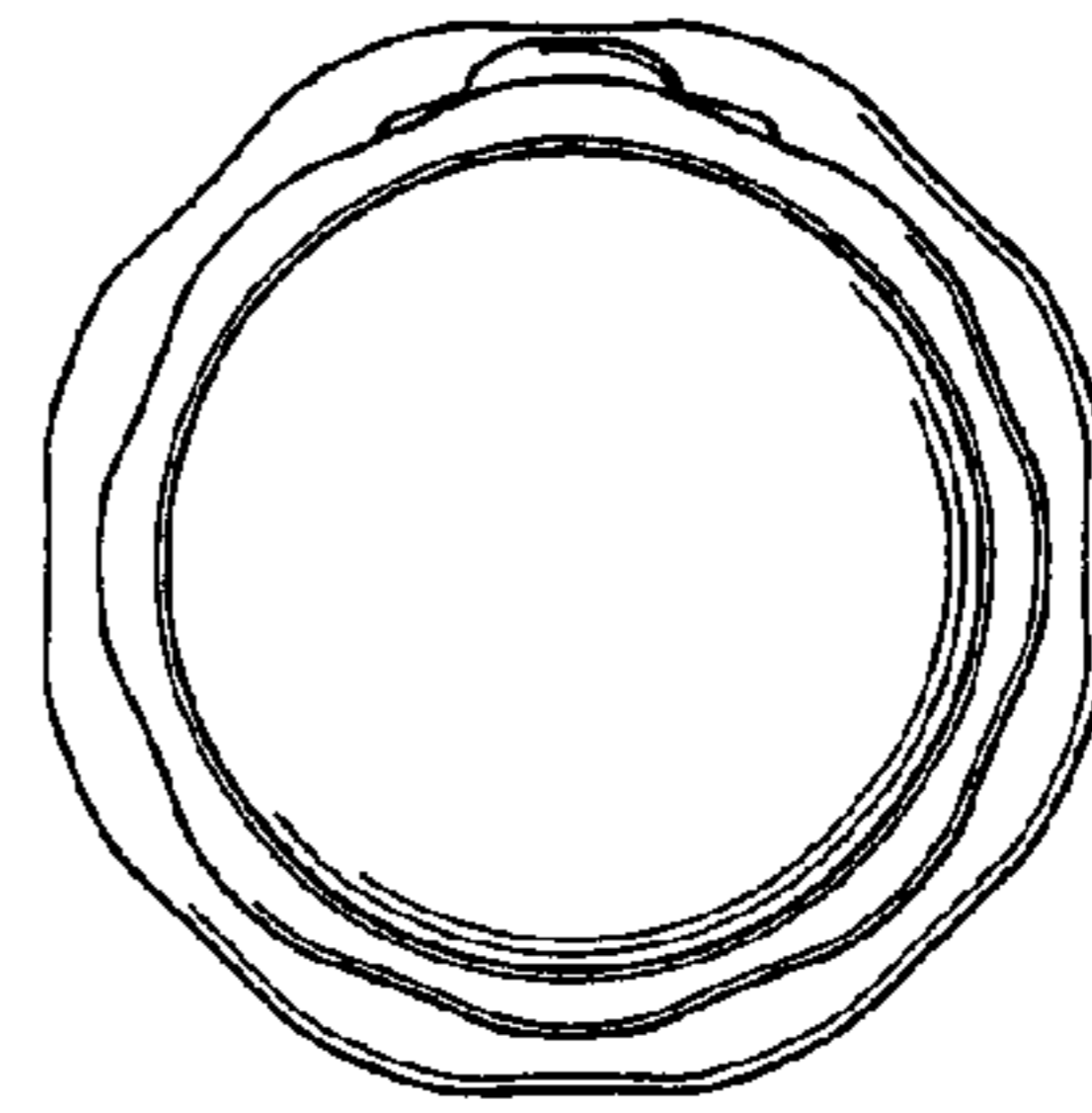


FIG. 6

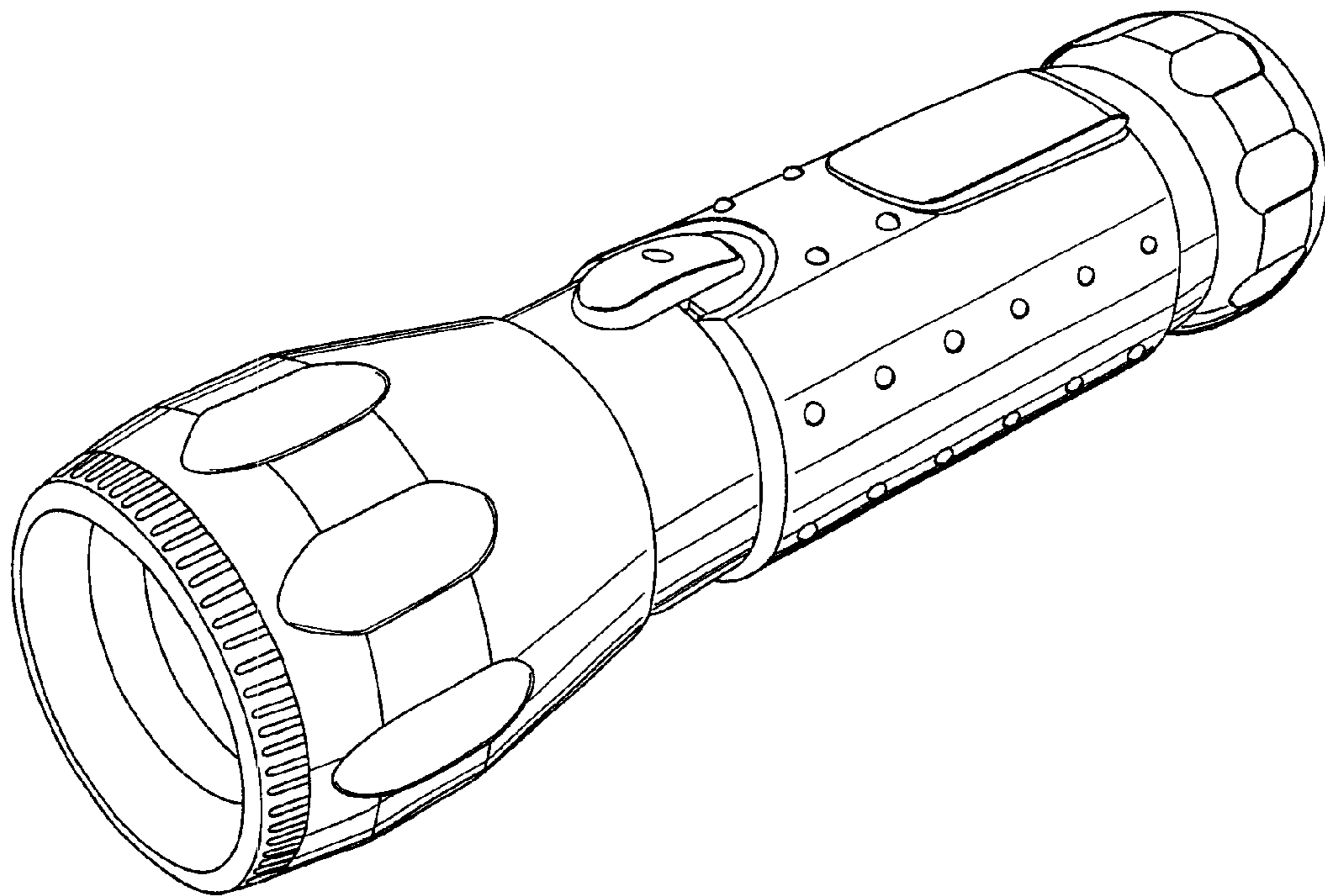


FIG. 7