



US00D529642S

(12) **United States Design Patent**
Green

(10) **Patent No.:** **US D529,642 S**

(45) **Date of Patent:** **** Oct. 3, 2006**

(54) **GRADUATED BRAKE LIGHT**

(76) **Inventor:** **Christopher S. Green**, 214 Welch St.,
Mount Airy, NC (US) 27030

(**) **Term:** **14 Years**

(21) **Appl. No.:** **29/233,000**

(22) **Filed:** **Jun. 25, 2005**

(51) **LOC (8) Cl.** **26-06**

(52) **U.S. Cl.** **D26/31**

(58) **Field of Classification Search** D26/28-36;
362/61, 74, 80, 80.1, 83, 83.3; 340/463, 464,
340/466, 468-475

See application file for complete search history.

(56) **References Cited**

U.S. PATENT DOCUMENTS

D332,234 S * 1/1993 Yuen D10/115

D453,385 S * 2/2002 Krzesowiak D26/31
D483,505 S * 12/2003 Schwerdtmann D26/31
D493,197 S * 7/2004 Tagawa D20/27
D495,747 S * 9/2004 Boodhoo D20/10

* cited by examiner

Primary Examiner—Marcus A. Jackson

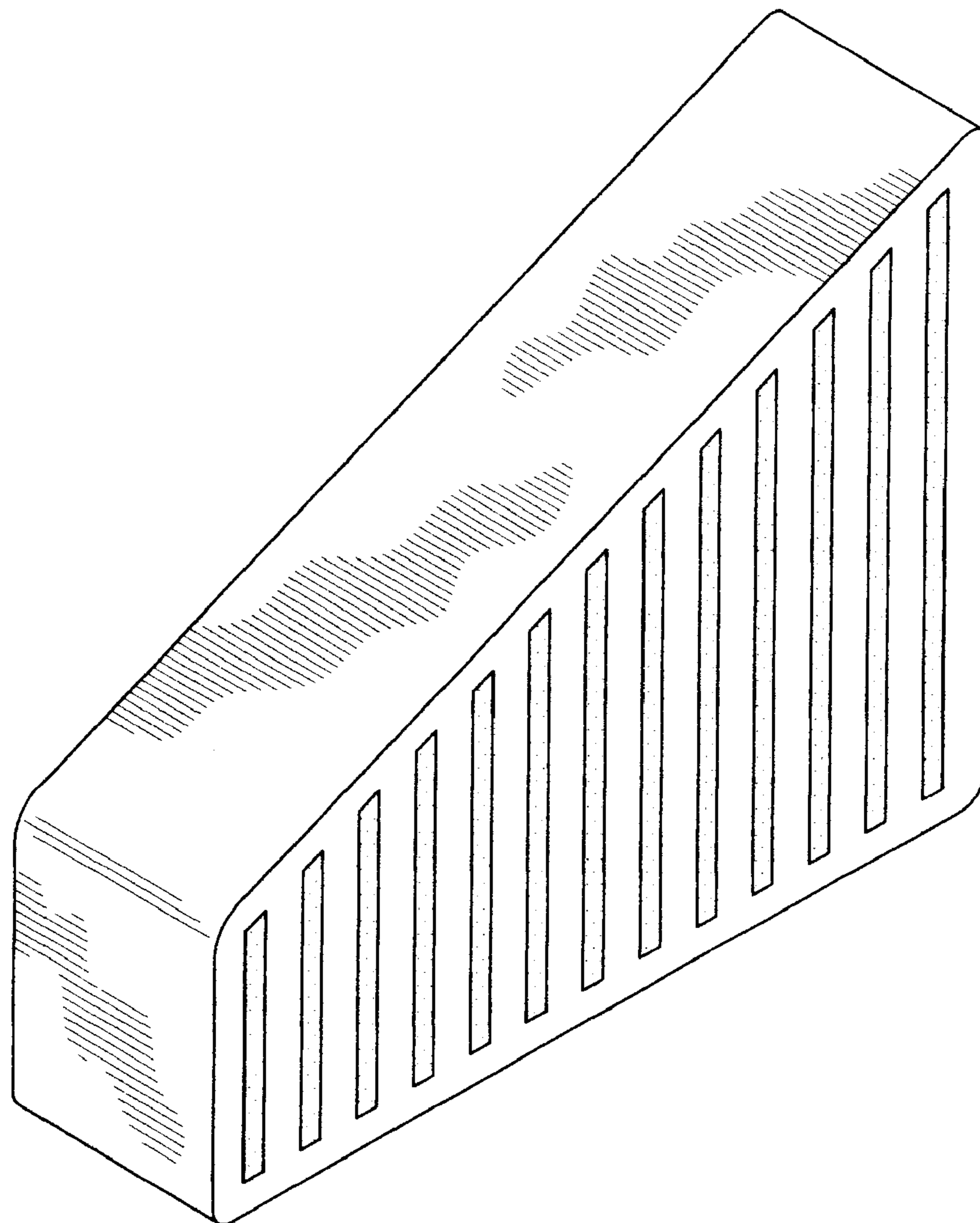
(57) **CLAIM**

I claim, the ornamental design for graduated brake light, as shown.

DESCRIPTION

FIG. 1 is a front view of the graduated brake light;
FIG. 2 is a back view of the graduated brake light;
FIG. 3 is a left side view of the graduated brake light;
FIG. 4 is a right side view of the graduated brake light;
FIG. 5 is a top view of the graduated brake light; and,
FIG. 6 is a perspective view of the graduated brake light.

1 Claim, 5 Drawing Sheets



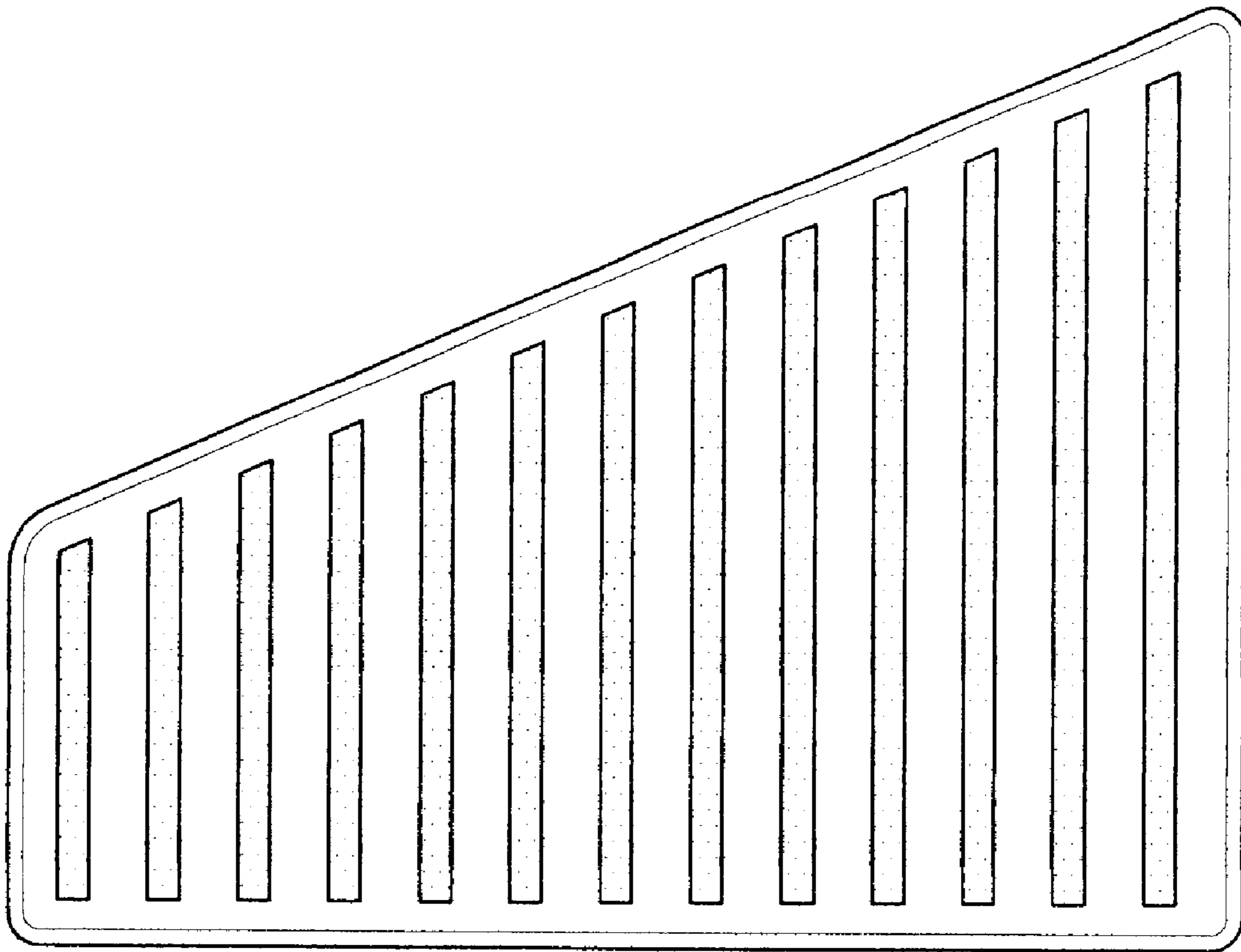


FIG.1

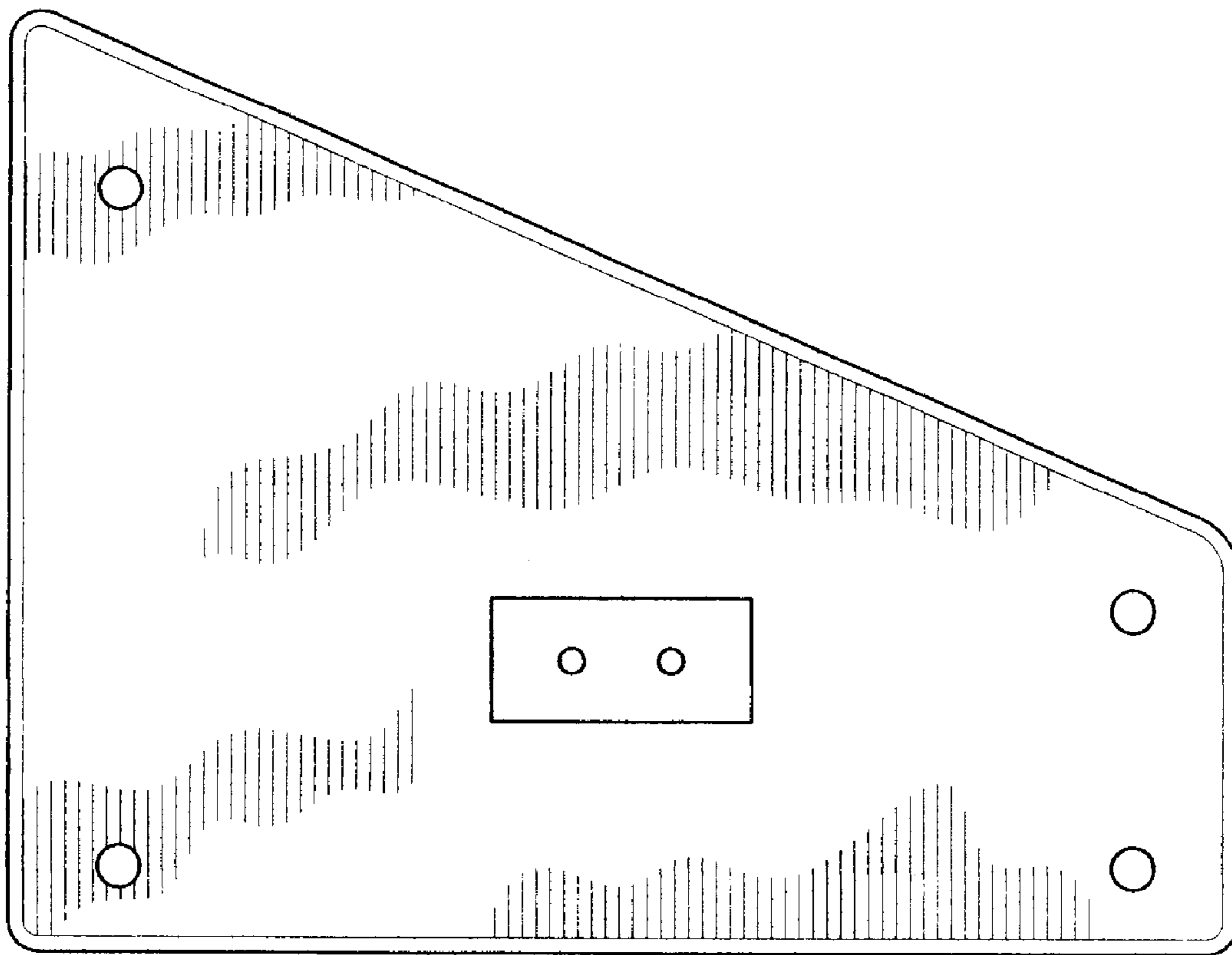


FIG.2

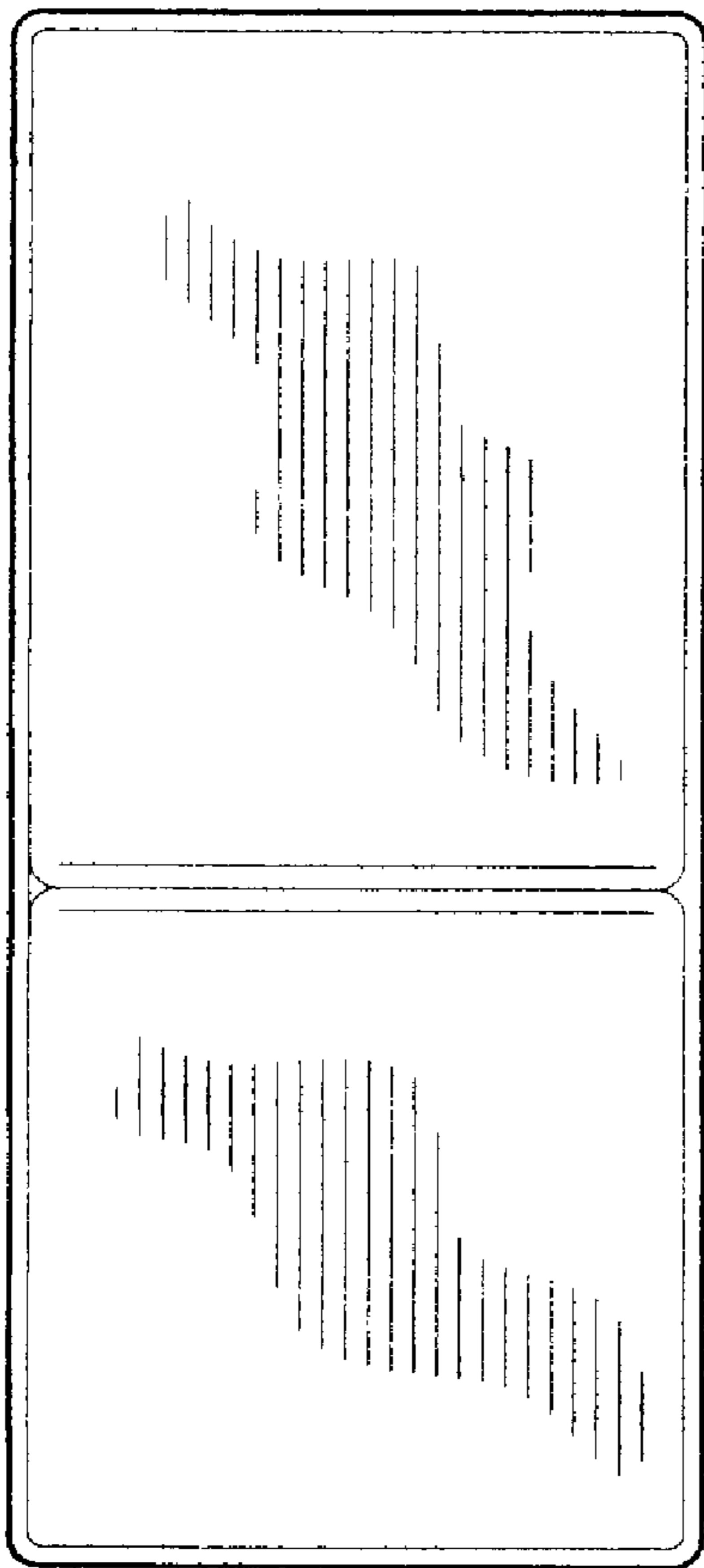


FIG.3

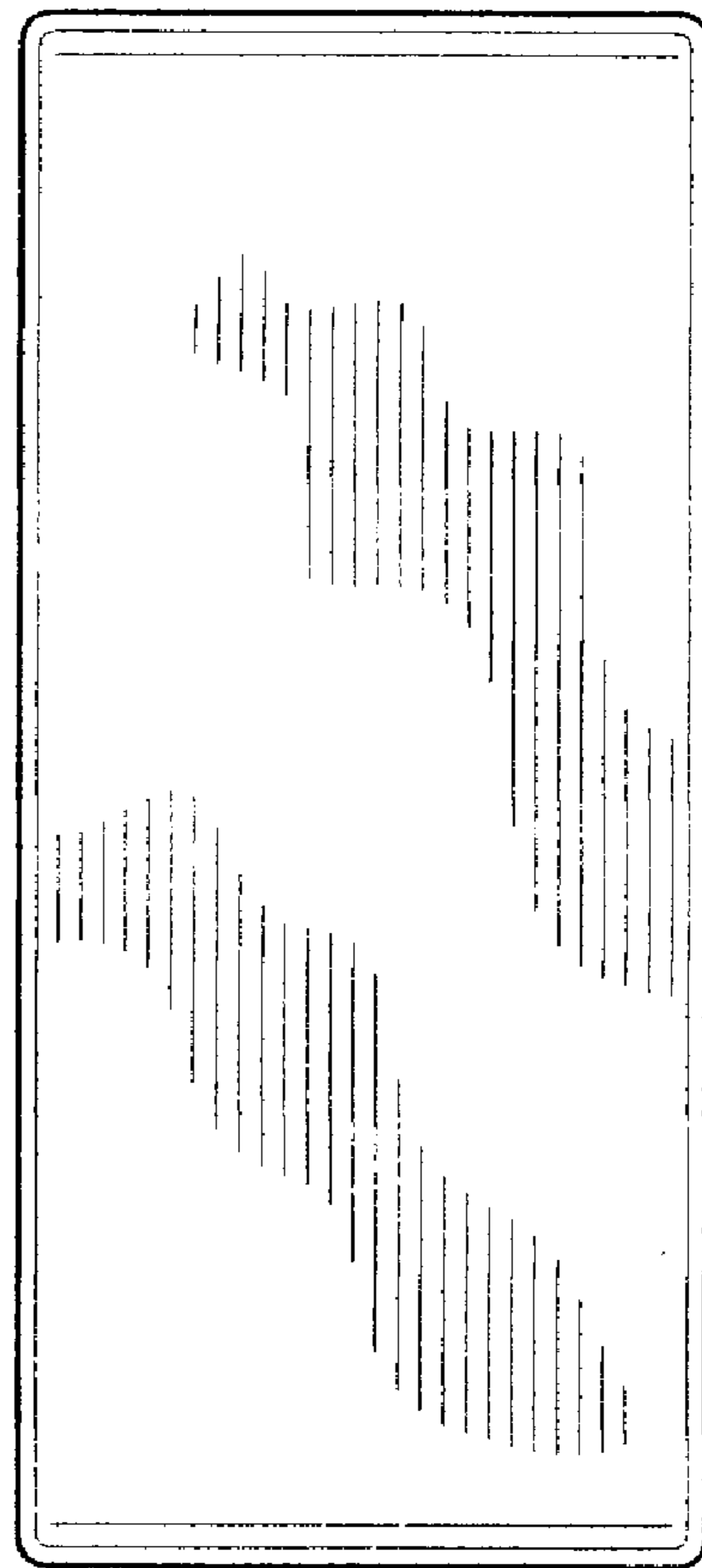


FIG.4

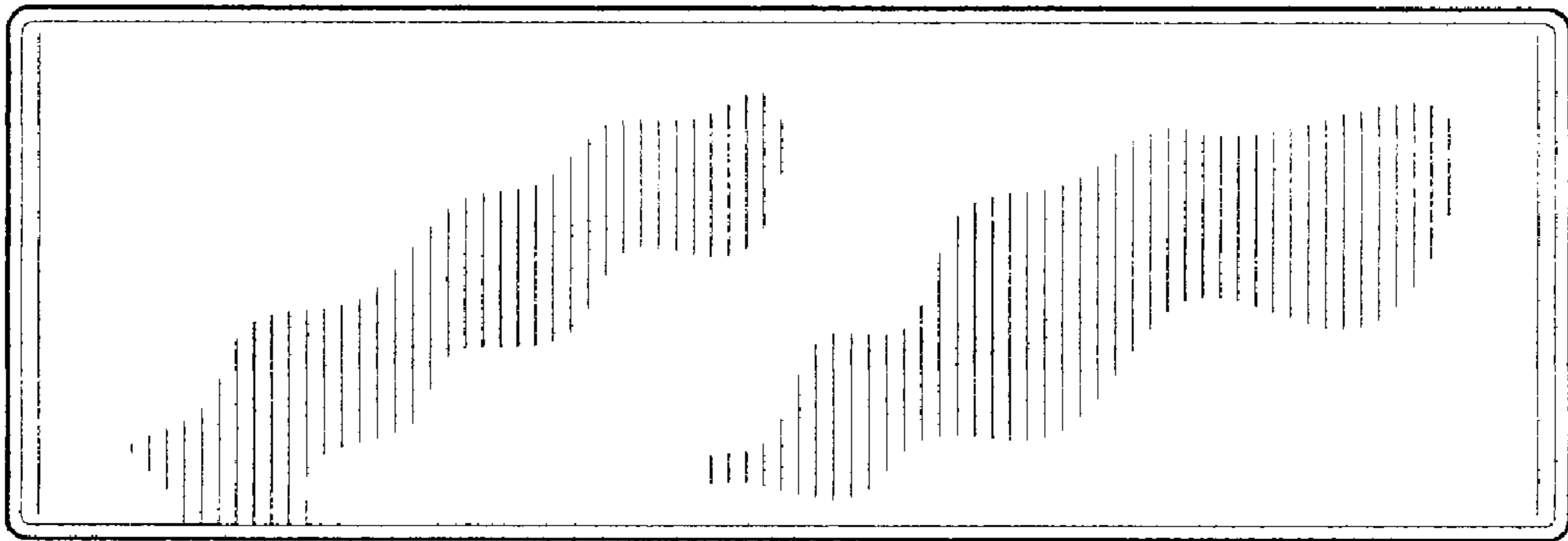


FIG.5

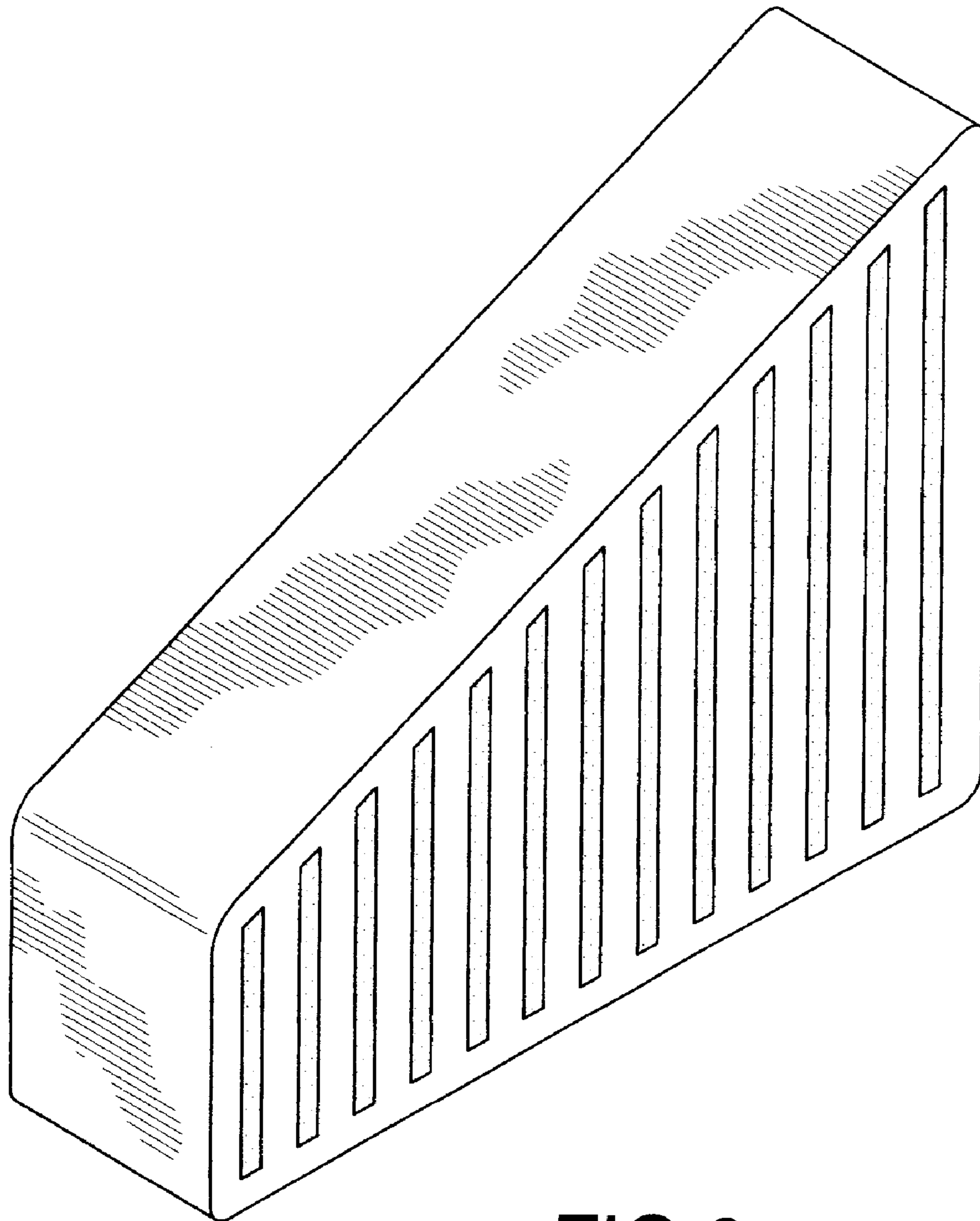


FIG.6