



US00D529639S

(12) **United States Design Patent**
Okuda

(10) **Patent No.:** **US D529,639 S**

(45) **Date of Patent:** **** Oct. 3, 2006**

(54) **HEADLAMP FOR A BICYCLE**

D441,107 S * 4/2001 Okuda D26/28
D444,581 S * 7/2001 Okuda D26/28

(75) Inventor: **Yoji Okuda**, Tondabayashi (JP)

* cited by examiner

(73) Assignee: **Cateye Co., Ltd.**, Osaka (JP)

Primary Examiner—Marcus A. Jackson

(**) Term: **14 Years**

(74) *Attorney, Agent, or Firm*—Olson & Hierl, Ltd.

(21) Appl. No.: **29/234,251**

(57) **CLAIM**

(22) Filed: **Jul. 15, 2005**

The ornamental design for a headlamp for a bicycle, as shown.

(30) **Foreign Application Priority Data**

DESCRIPTION

Apr. 4, 2005 (JP) 2005-010051

(51) **LOC (8) Cl.** **26-06**

(52) **U.S. Cl.** **D26/28**

(58) **Field of Classification Search** D26/28-36;
362/459-468, 475-478, 485-487

See application file for complete search history.

FIG. 1 is a front perspective view of a headlamp for a bicycle showing my new design;

FIG. 2 is a rear perspective view thereof;

FIG. 3 is a front view thereof;

FIG. 4 is a rear view thereof;

FIG. 5 is a top plan view thereof;

FIG. 6 is a bottom plan view thereof;

FIG. 7 is a left side view thereof; and,

FIG. 8 is a right side view thereof.

(56) **References Cited**

U.S. PATENT DOCUMENTS

D413,688 S * 9/1999 Poon D26/28

1 Claim, 3 Drawing Sheets

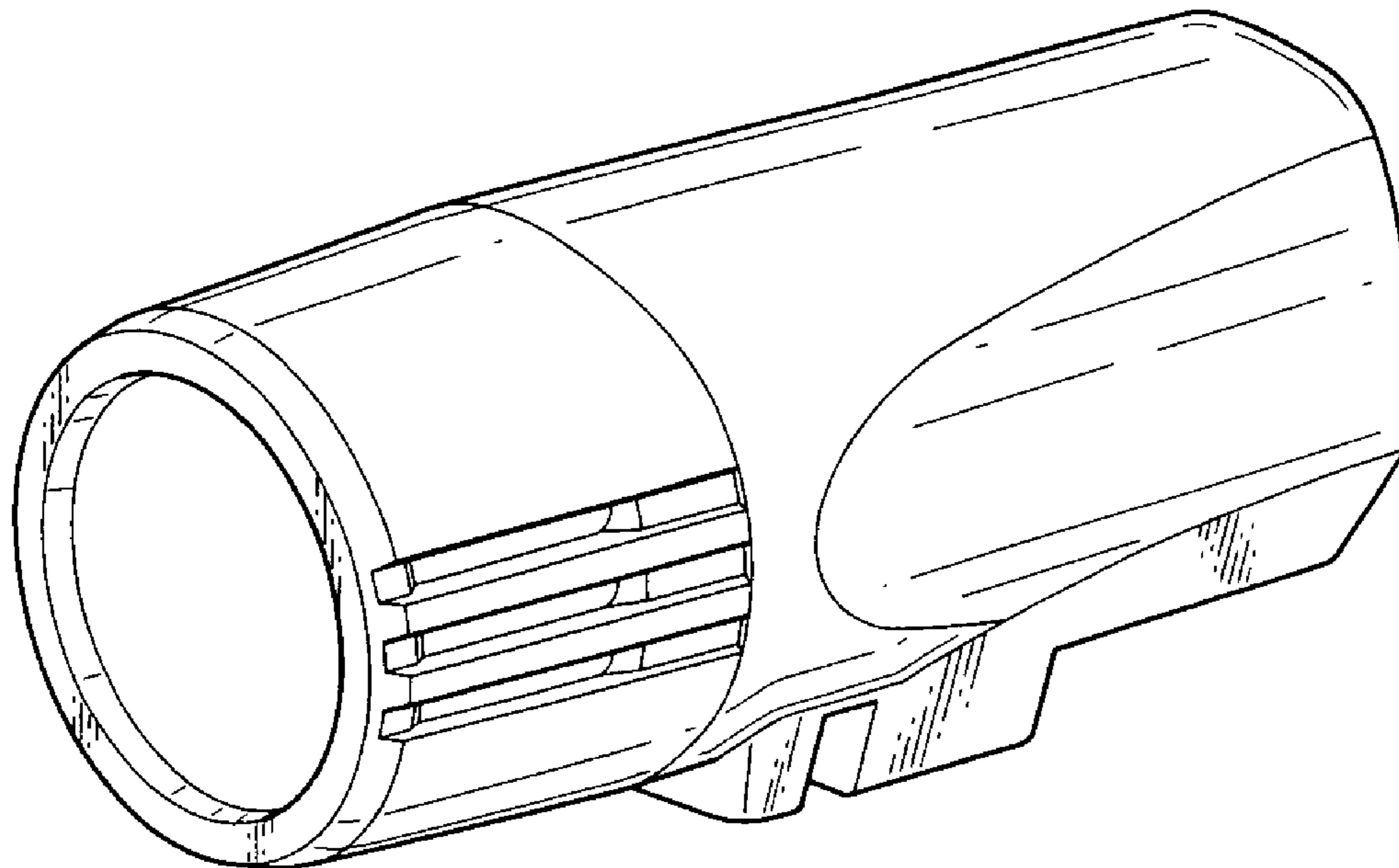


FIG. 1

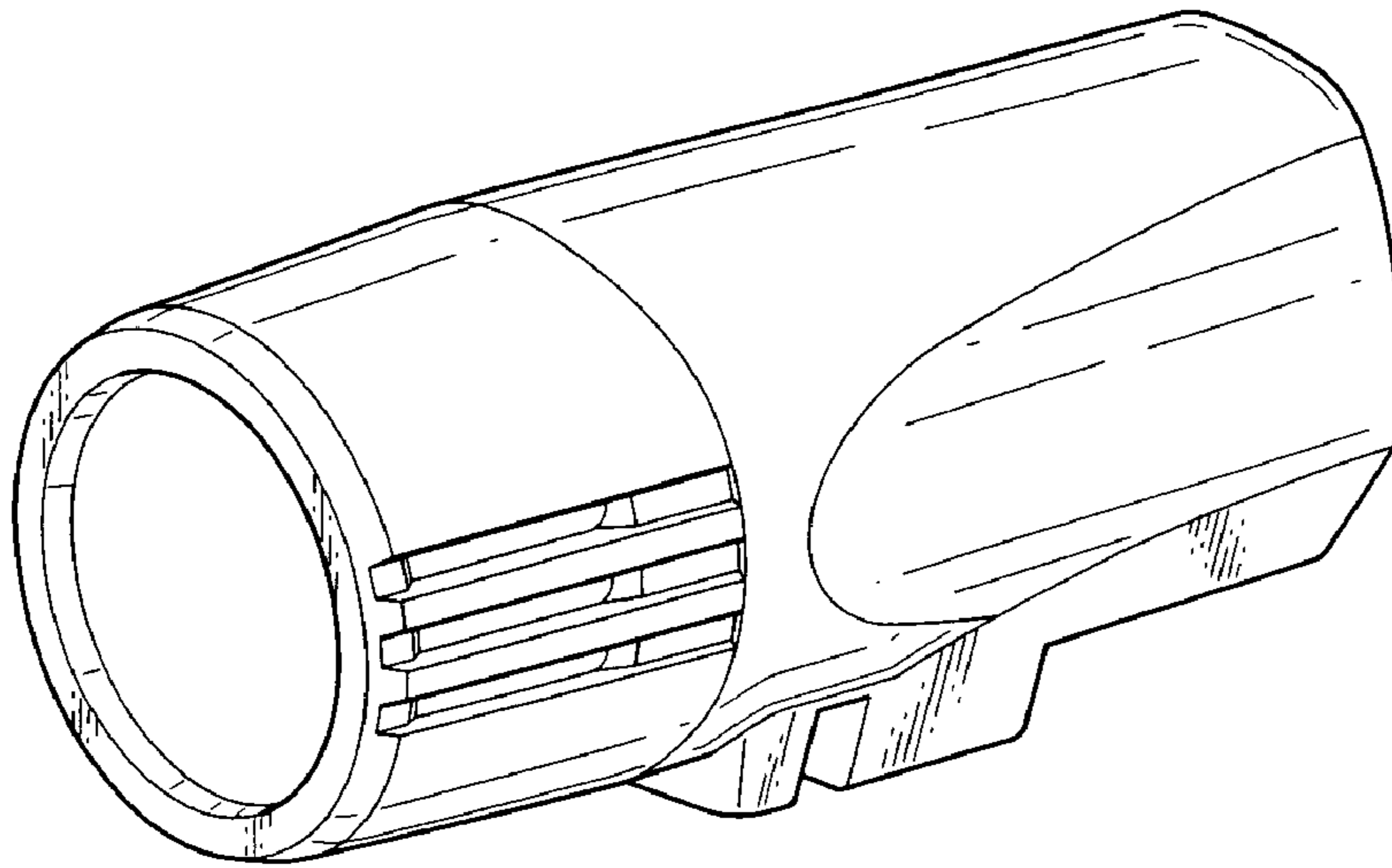


FIG. 2

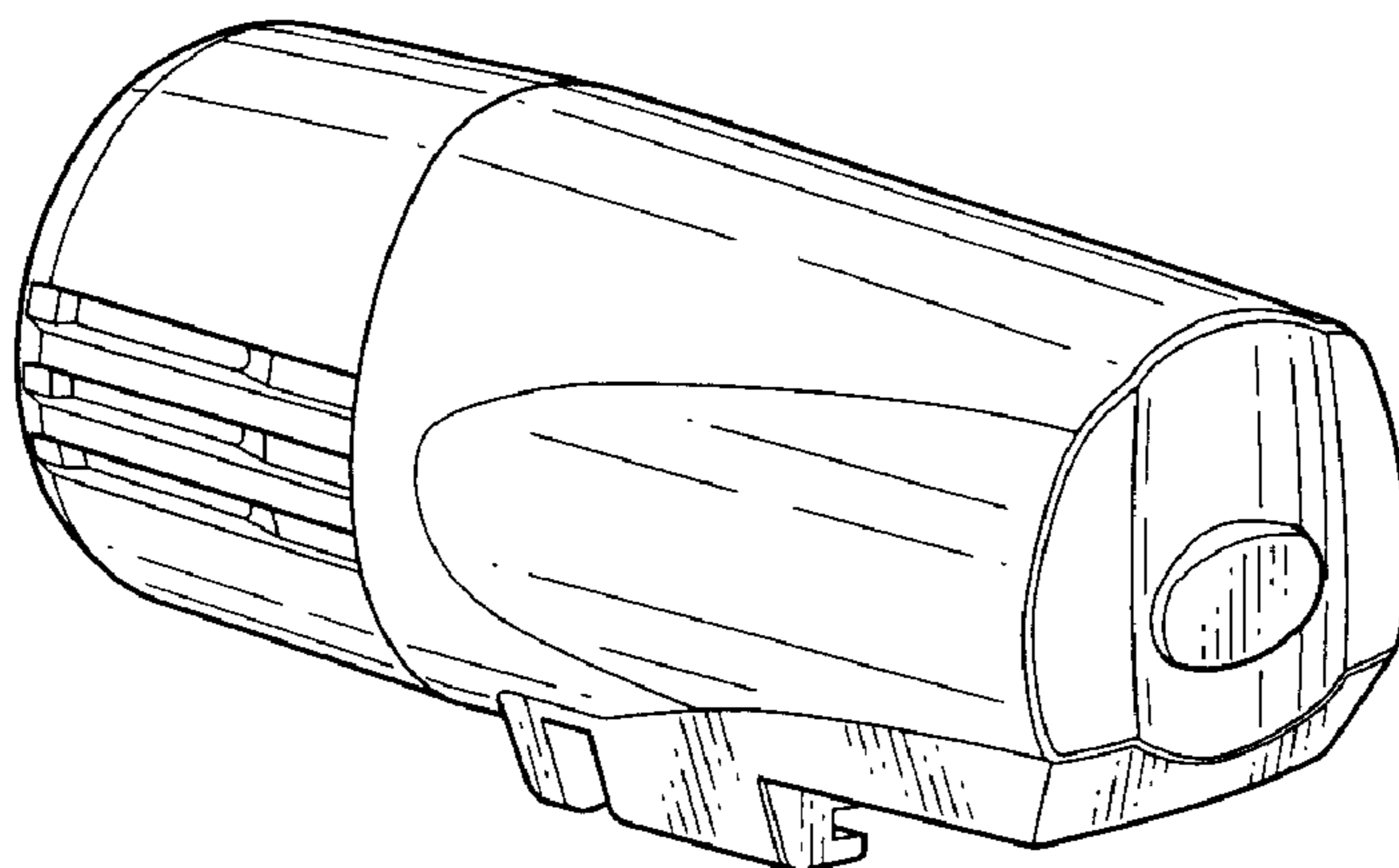


FIG. 3

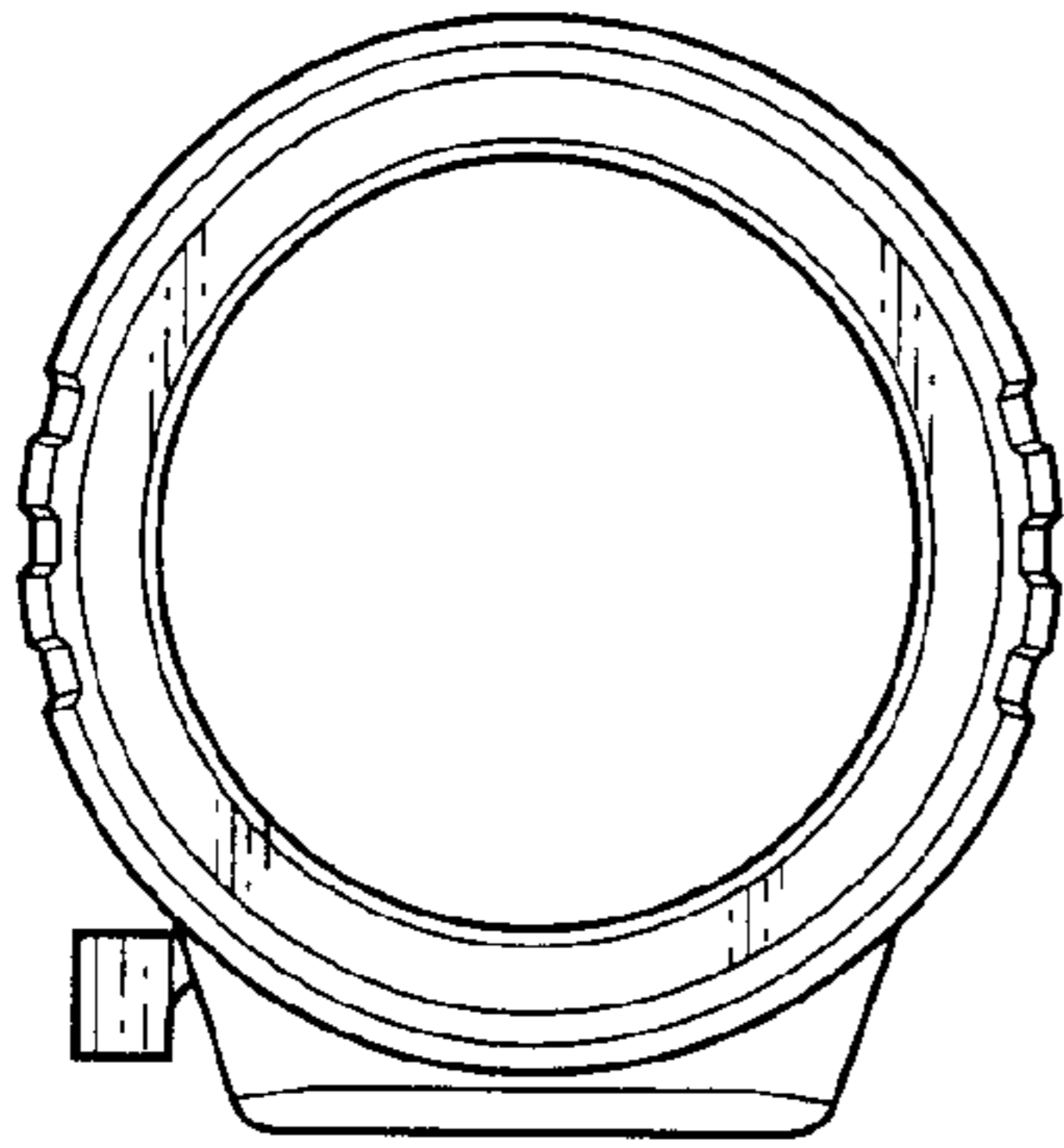


FIG. 4

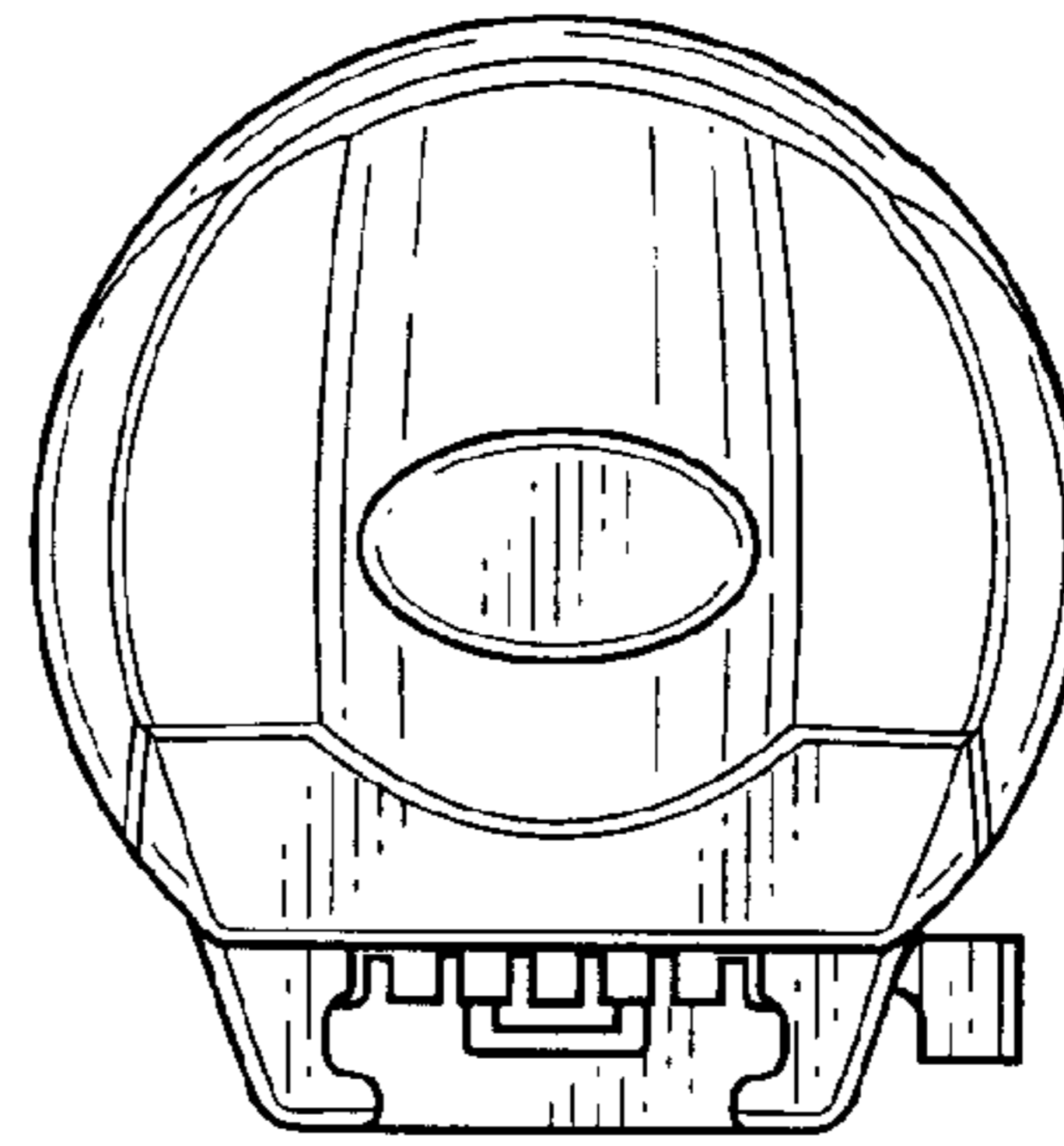


FIG. 5

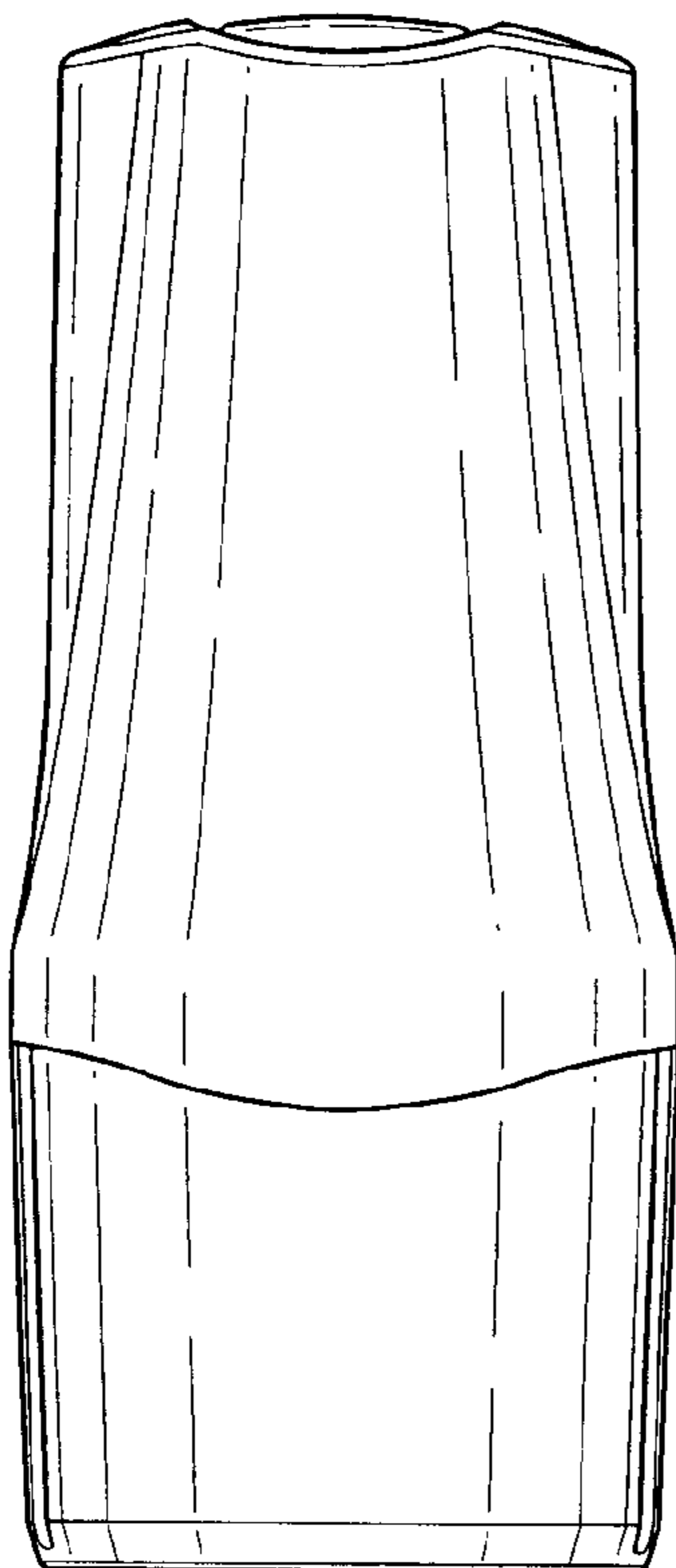


FIG. 6

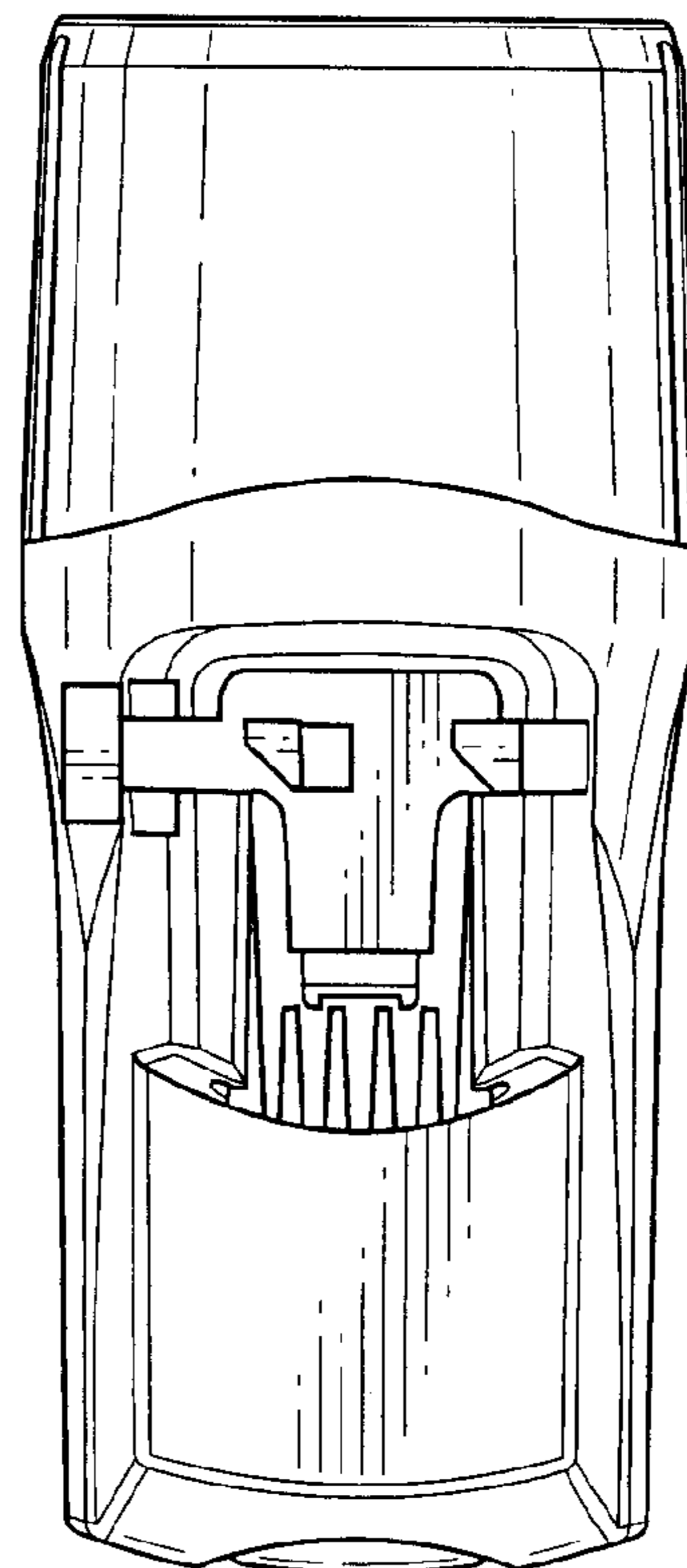


FIG. 7

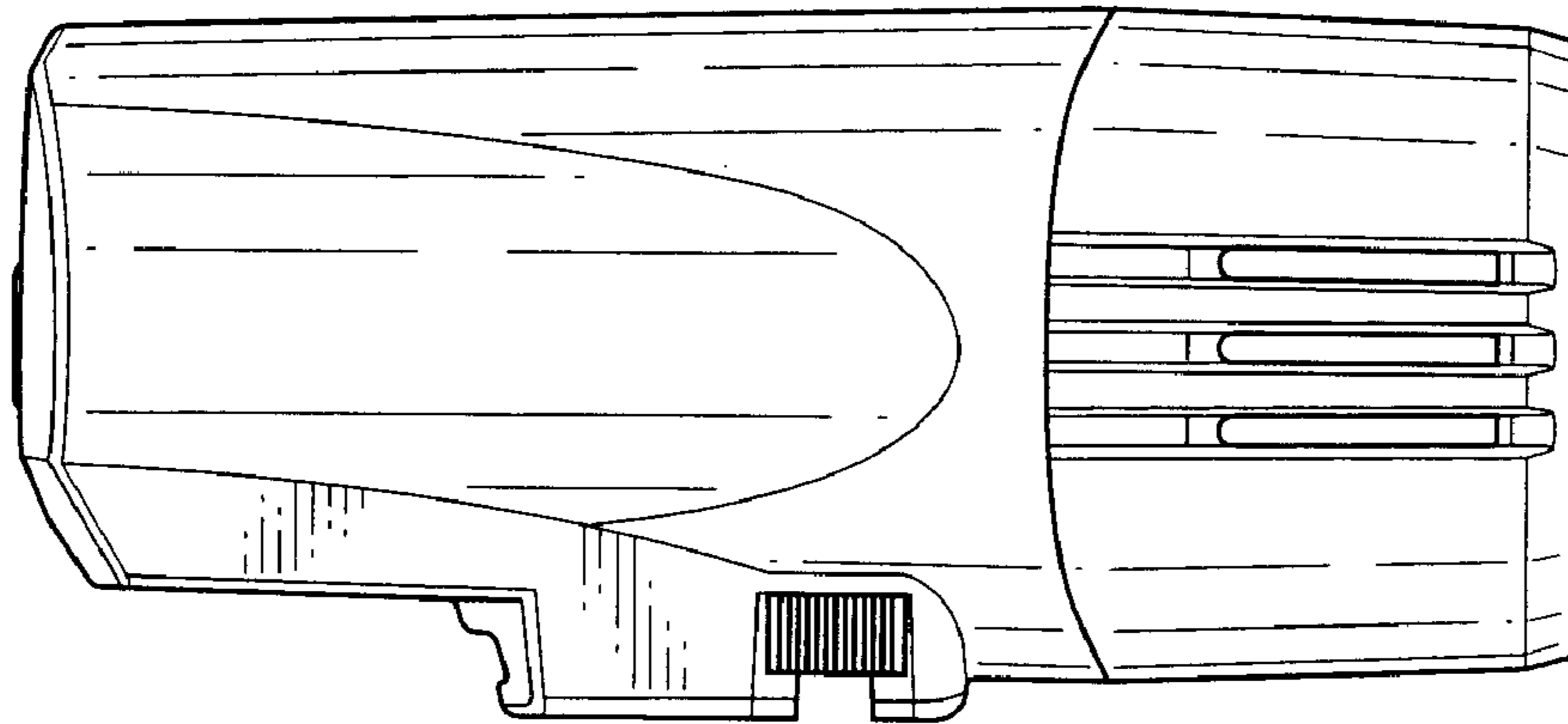


FIG. 8

