

US00D529635S

(12) **United States Design Patent**
Johnson

(10) **Patent No.:** **US D529,635 S**
(45) **Date of Patent:** **** Oct. 3, 2006**

(54) **LED LAMP**

(76) Inventor: **Andrew Johnson**, c/o Aurora Limited,
16 Alban Park, Hatfield Rd., St. Albans,
Herts, AL4 01J (GB)

(**) Term: **14 Years**

(21) Appl. No.: **29/232,640**

(22) Filed: **Jun. 22, 2005**

(30) **Foreign Application Priority Data**

Dec. 23, 2004 (EM) 000275938-0001/0008

(51) **LOC (8) Cl.** **26-04**

(52) **U.S. Cl.** **D26/2**

(58) **Field of Classification Search** D26/1-4;
313/110, 111, 113, 313, 315, 317, 318; 362/341-350
See application file for complete search history.

(56) **References Cited**

U.S. PATENT DOCUMENTS

D326,532 S * 5/1992 Hume et al. D26/2

D336,963 S * 6/1993 Levin et al. D26/2
D458,696 S * 6/2002 Katogi et al. D26/2
D497,439 S * 10/2004 Shaw et al. D26/2
D516,229 S * 2/2006 Tang D26/2

* cited by examiner

Primary Examiner—Marcus A. Jackson

(74) *Attorney, Agent, or Firm*—Hales Soloway P.C.

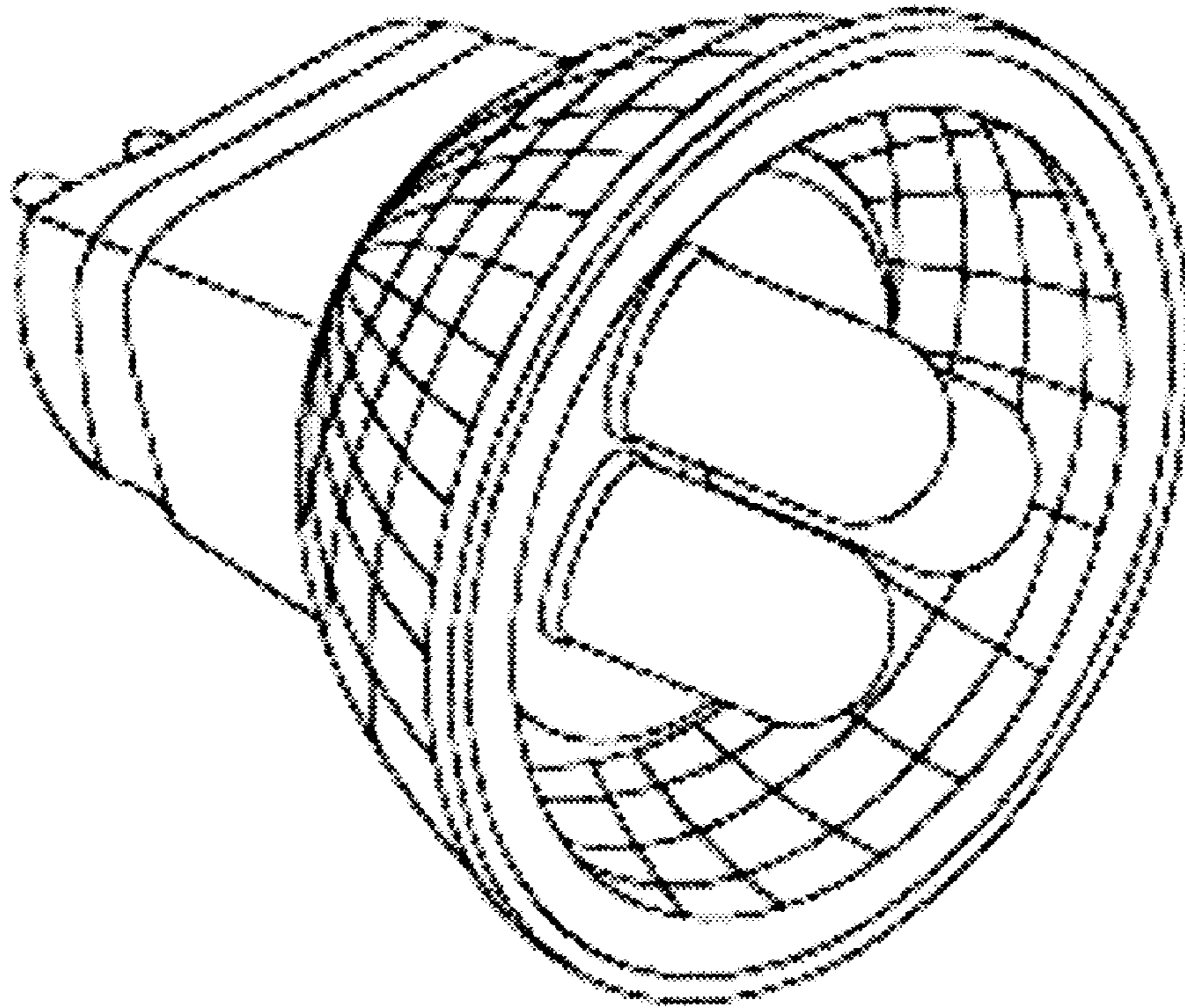
(57) **CLAIM**

The ornamental design for an led lamp, as shown and described.

DESCRIPTION

FIG. 1 is a front elevational view thereof;
FIG. 2 is a side view elevational view thereof, the opposite side being a mirror image thereof;
FIG. 3 is a back plan view thereof;
FIG. 4 is an end view thereof, the opposite end being a mirror image thereof; and,
FIG. 5 is a perspective view thereof.

1 Claim, 1 Drawing Sheet



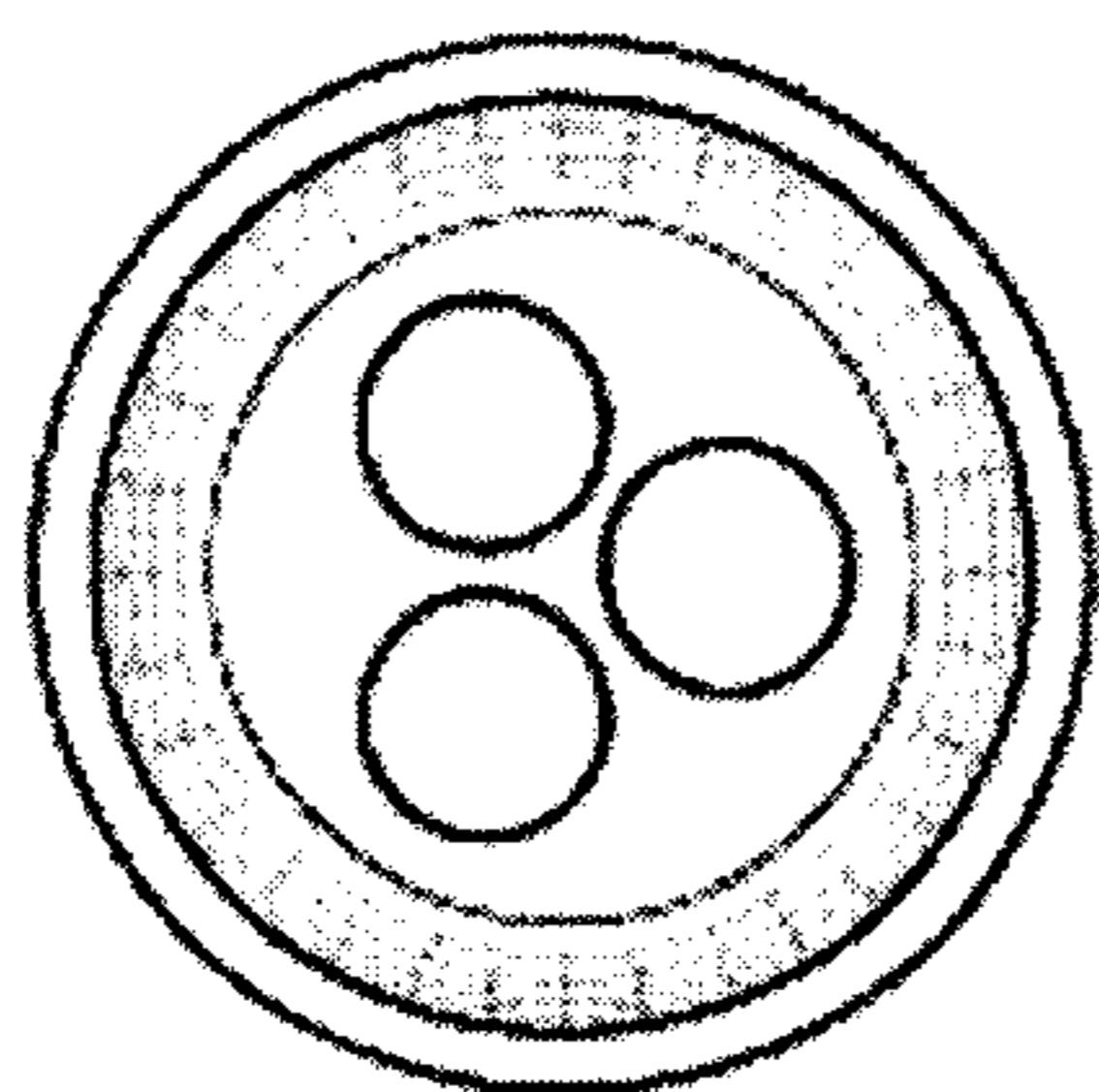


Fig. 1

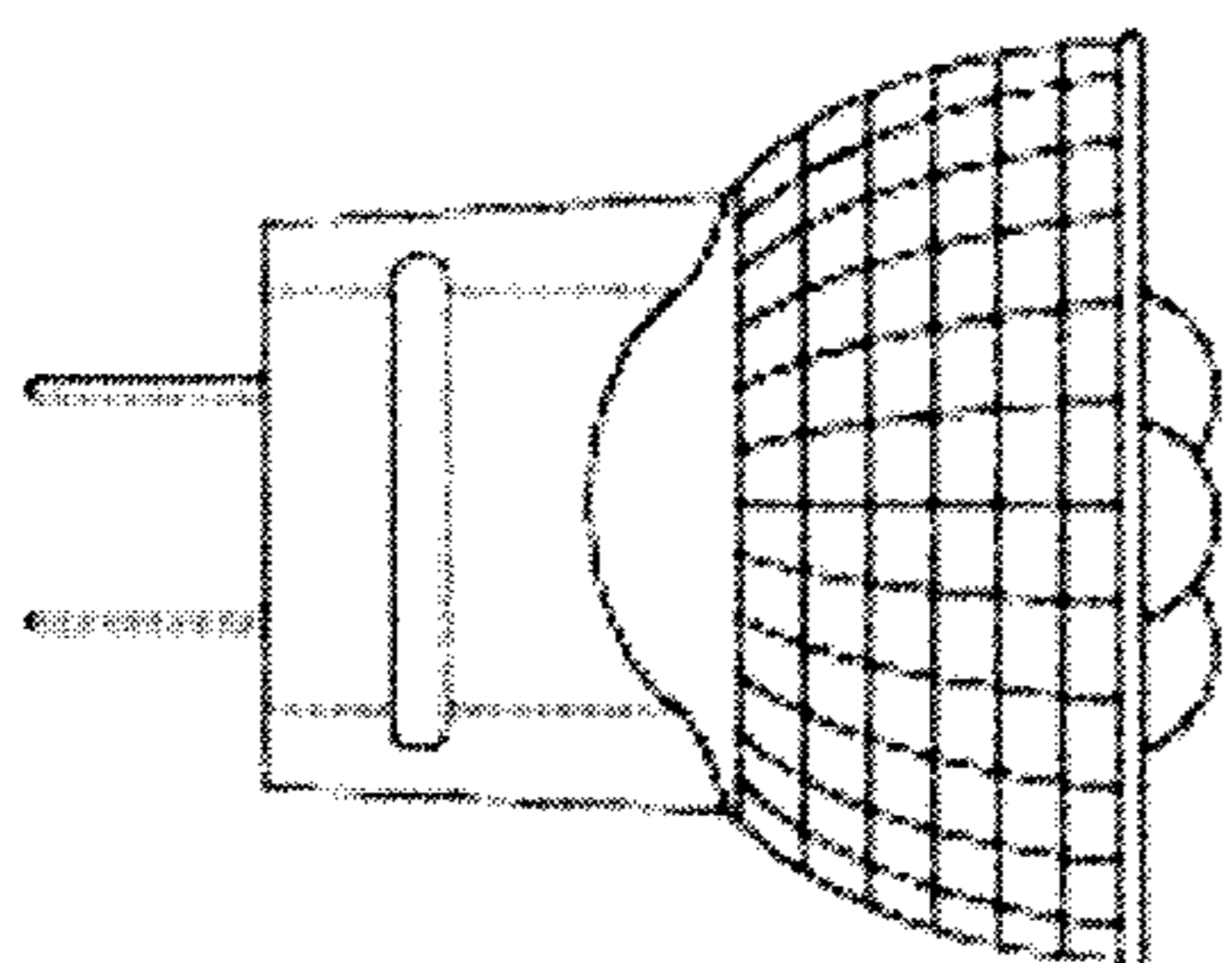


Fig. 2

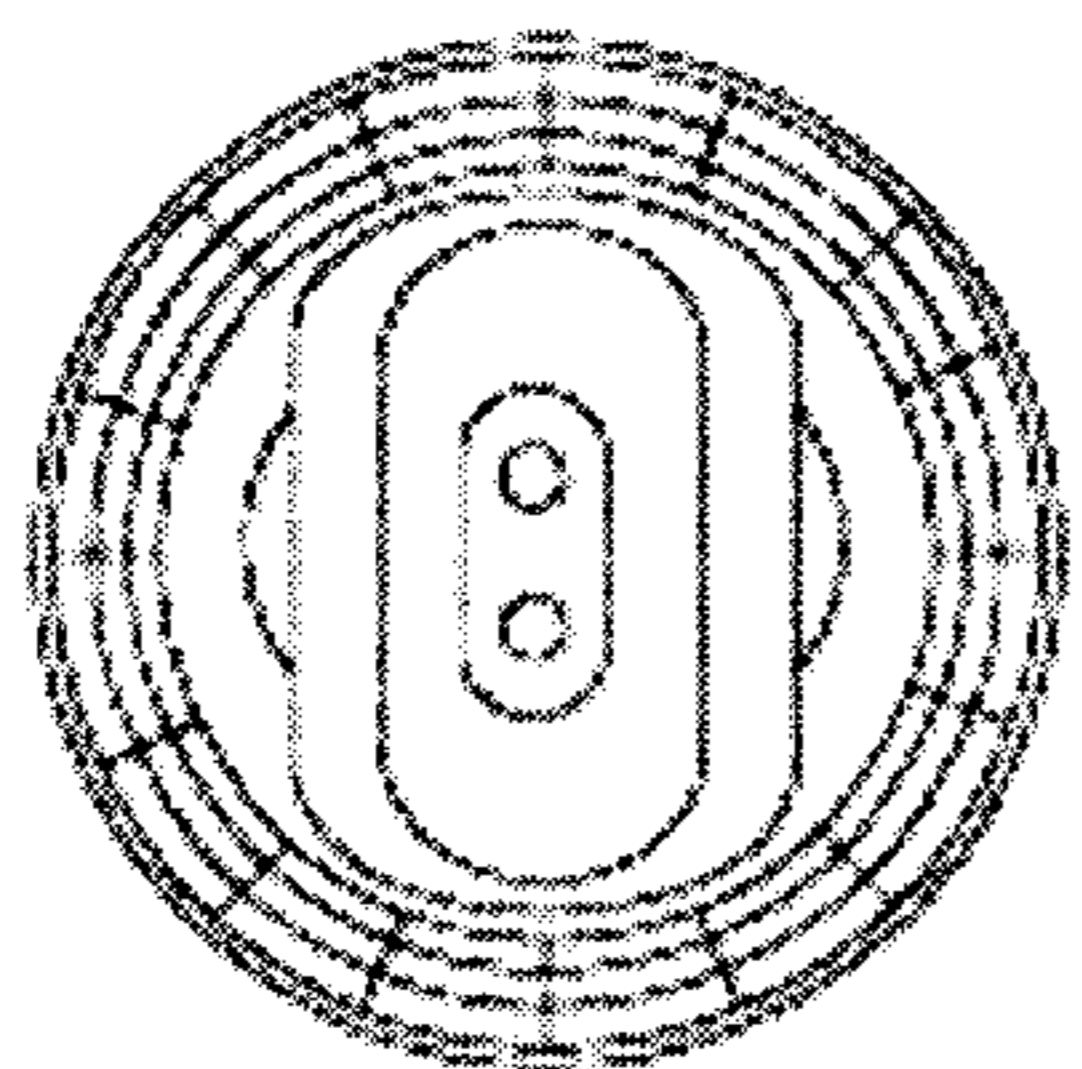


Fig. 3

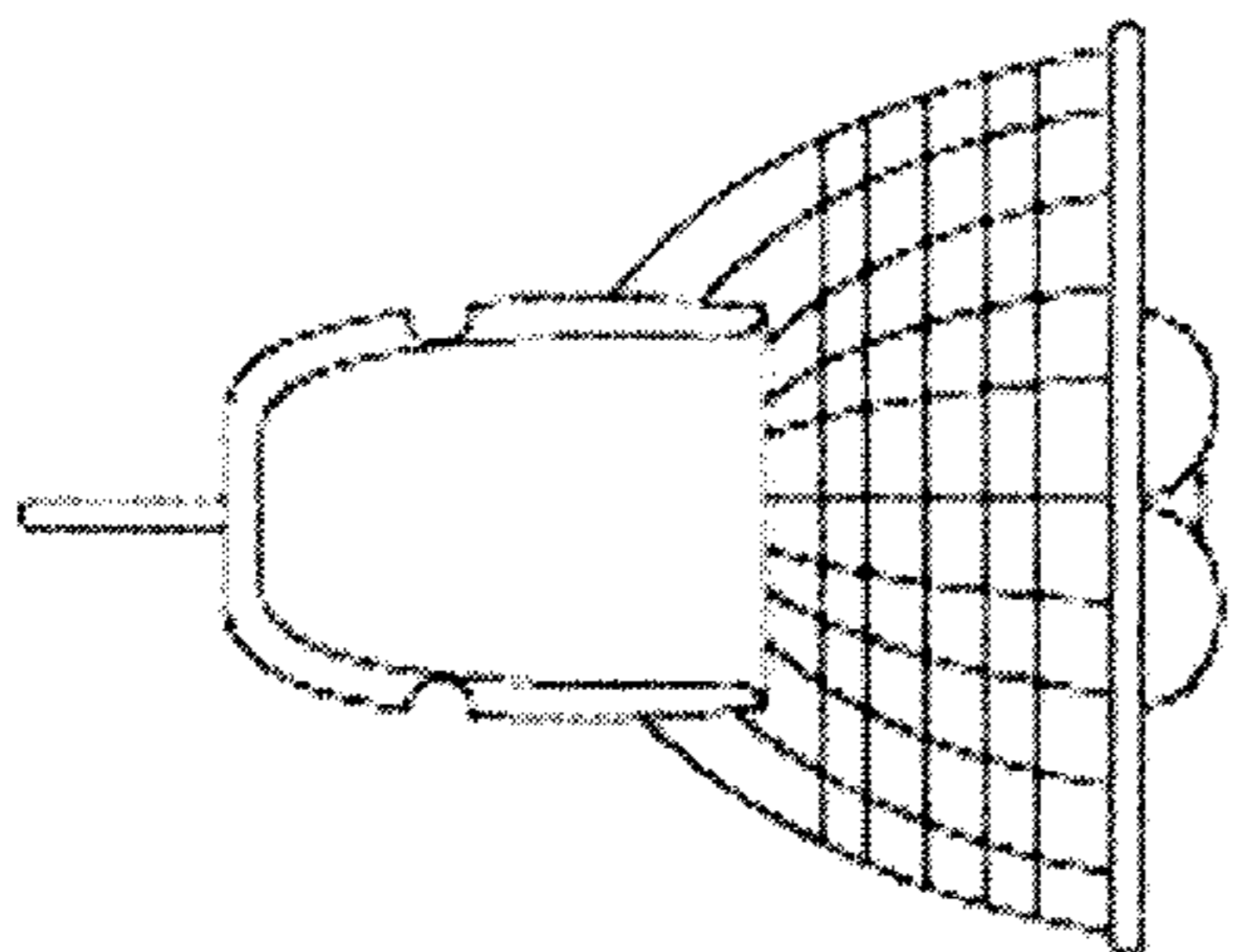


Fig. 4

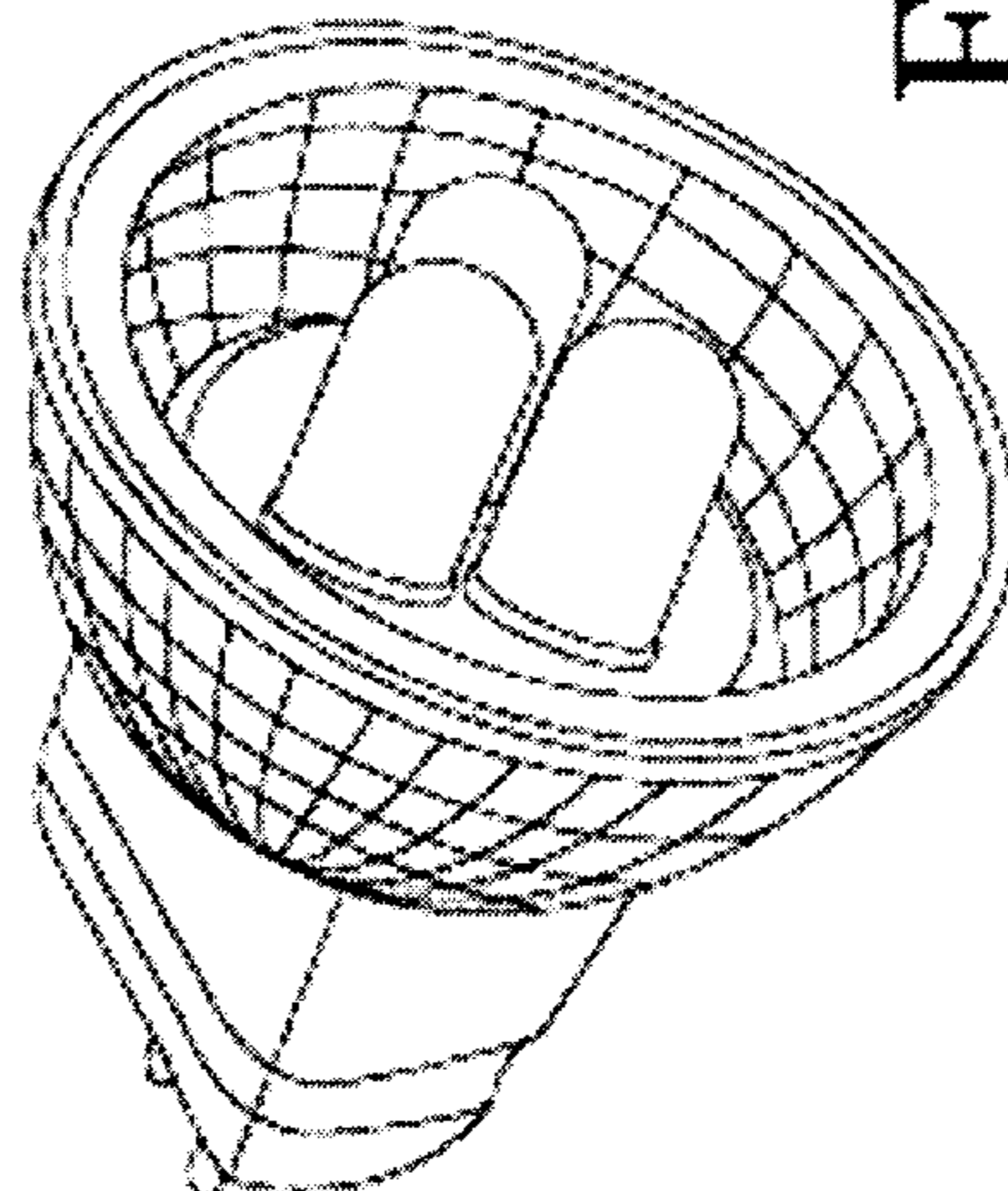


Fig. 5