



US00D529634S

(12) **United States Design Patent**
Kakuno et al.

(10) **Patent No.:** **US D529,634 S**
(45) **Date of Patent:** **** Oct. 3, 2006**

(54) **FLUORESCENT LAMP**

(75) Inventors: **Yoshinori Kakuno**, Katano (JP); **Shiro Iida**, Kyoto (JP); **Yasushige Tomiyoshi**, Takatsuki (JP)

(73) Assignee: **Matsushita Electric Industrial Co., Ltd.**, Osaka (JP)

(**) Term: **14 Years**

(21) Appl. No.: **29/231,660**

(22) Filed: **Jun. 8, 2005**

(30) **Foreign Application Priority Data**

Feb. 28, 2005 (JP) 2005-005629

(51) **LOC (8) Cl.** **26-04**

(52) **U.S. Cl.** **D26/2**

(58) **Field of Classification Search** D26/1-4;
313/313, 315, 317, 318, 493; 315/52, 53,
315/56, 57, 58

See application file for complete search history.

(56) **References Cited**

U.S. PATENT DOCUMENTS

D474,850 S * 5/2003 Katase et al. D26/2
D485,379 S * 1/2004 Stekelenburg D26/2
D486,923 S * 2/2004 Stekelenburg D26/2

FOREIGN PATENT DOCUMENTS

CN 3391097 D 9/2004

OTHER PUBLICATIONS

Sea Gull Lighting 97040 PLS13 Spiral—13 Watt bulb brochure.

* cited by examiner

Primary Examiner—Marcus A. Jackson

(74) *Attorney, Agent, or Firm*—Brinks Hofer Gilson & Lione

(57) **CLAIM**

We claim the ornamental design for a fluorescent lamp, as shown and described.

DESCRIPTION

FIG. 1 is a front view of a fluorescent lamp of the present invention;

FIG. 2 is a rear view thereof;

FIG. 3 is a first side view thereof;

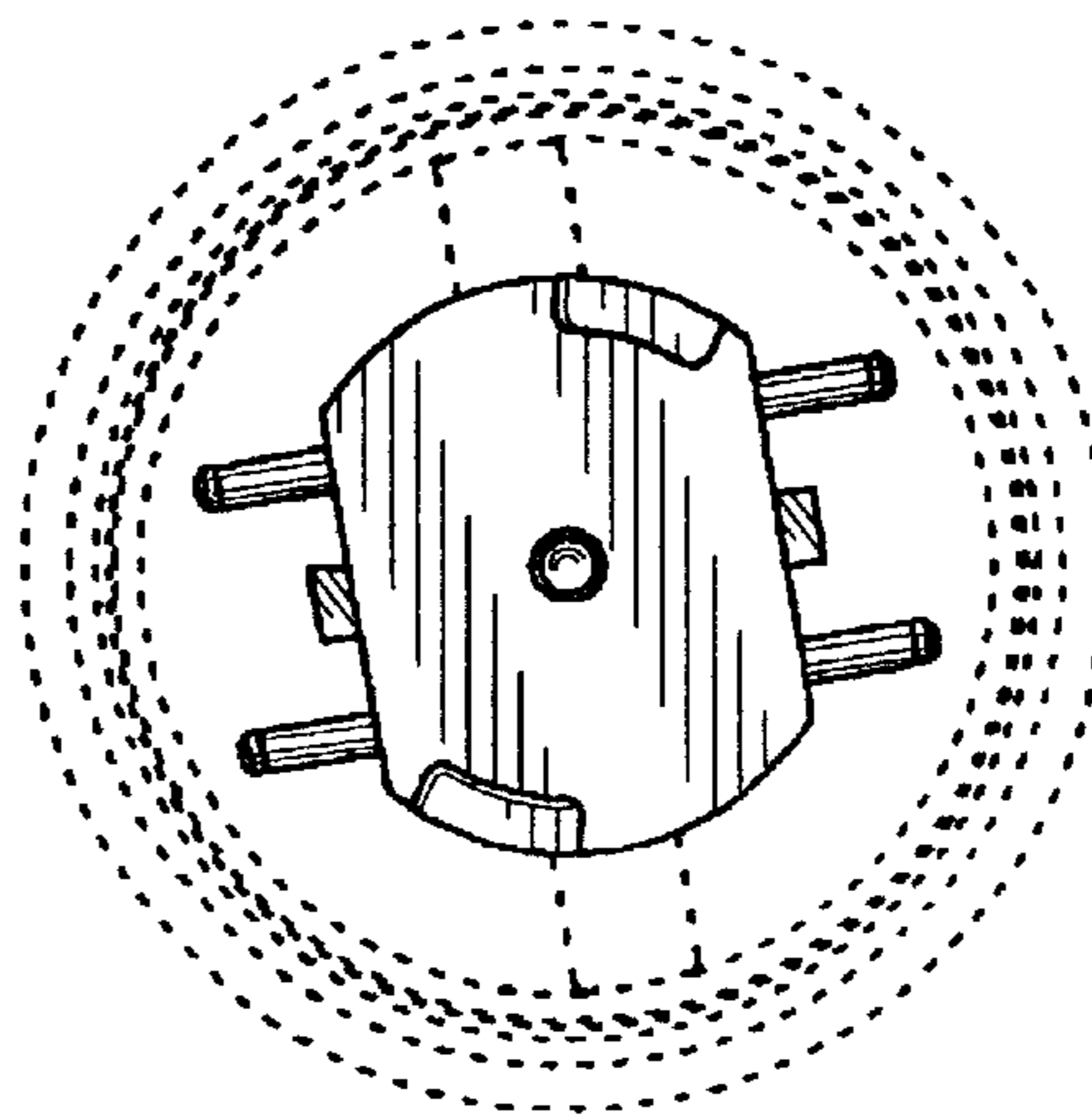
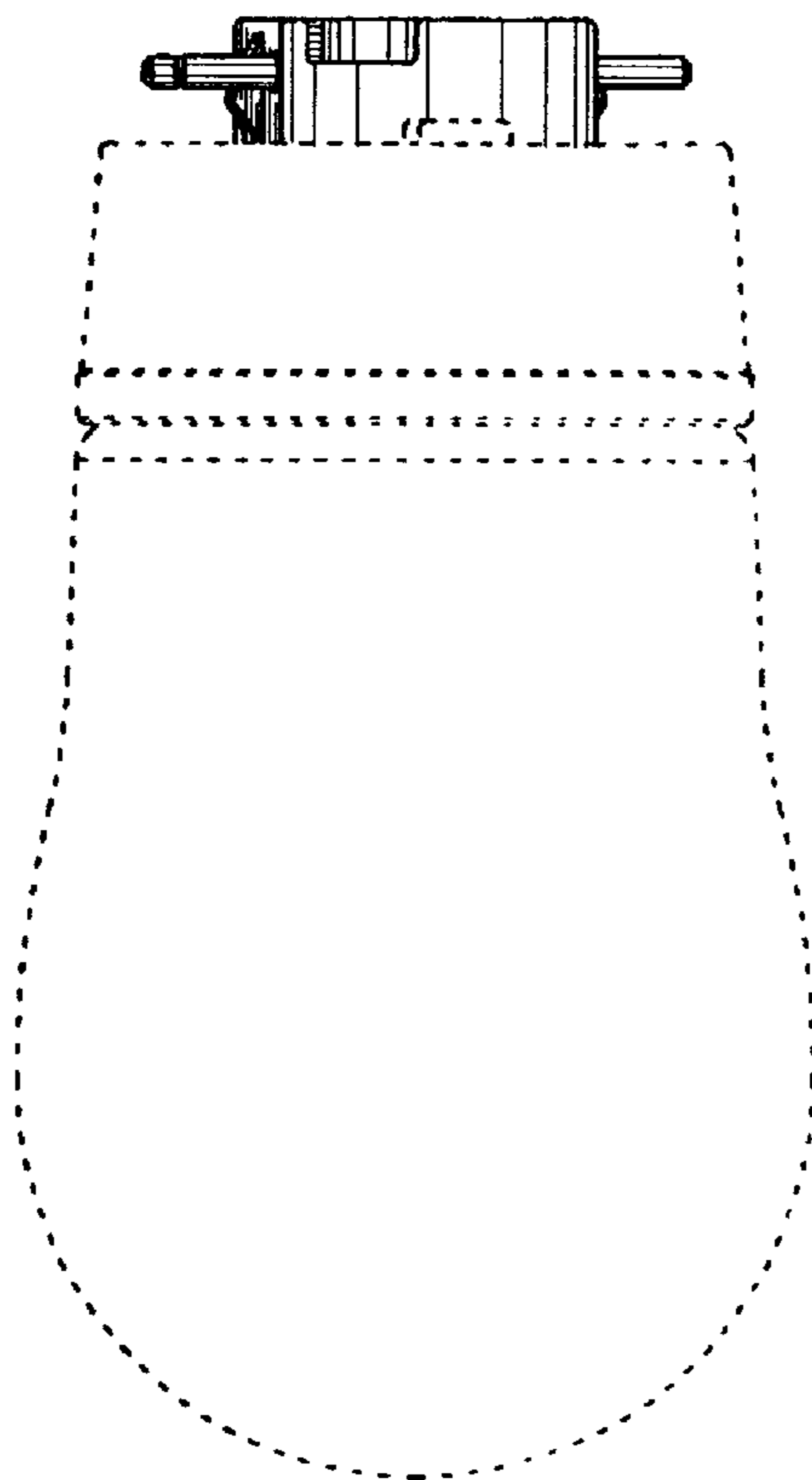
FIG. 4 is a second side view thereof;

FIG. 5 is a top view thereof; and,

FIG. 6 is a bottom view thereof.

The ornamental design which is claimed is shown in solid lines in the drawings. Any broken lines in the drawings are for illustrative purposes only and form no part of the claimed design.

1 Claim, 6 Drawing Sheets



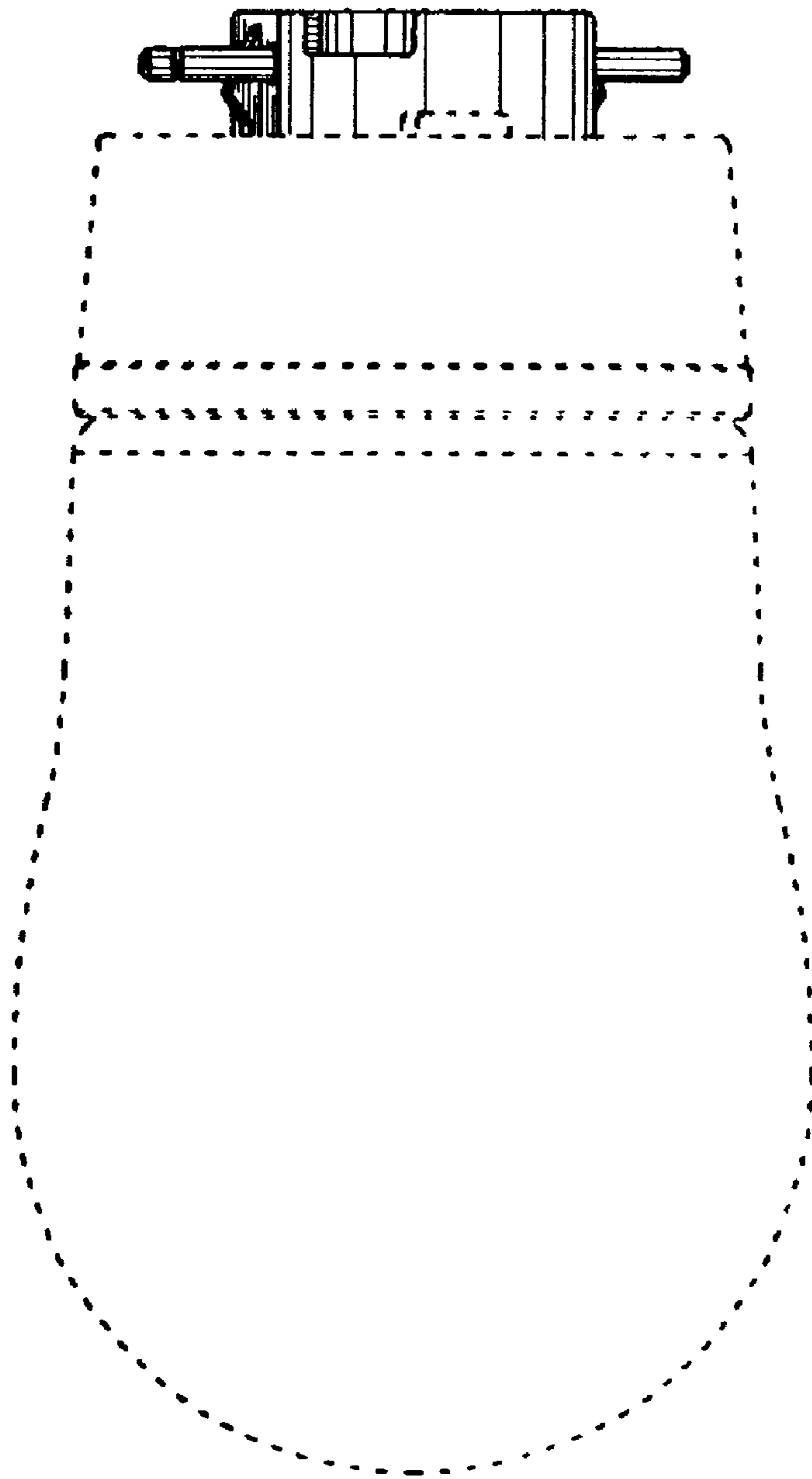


FIG. 1

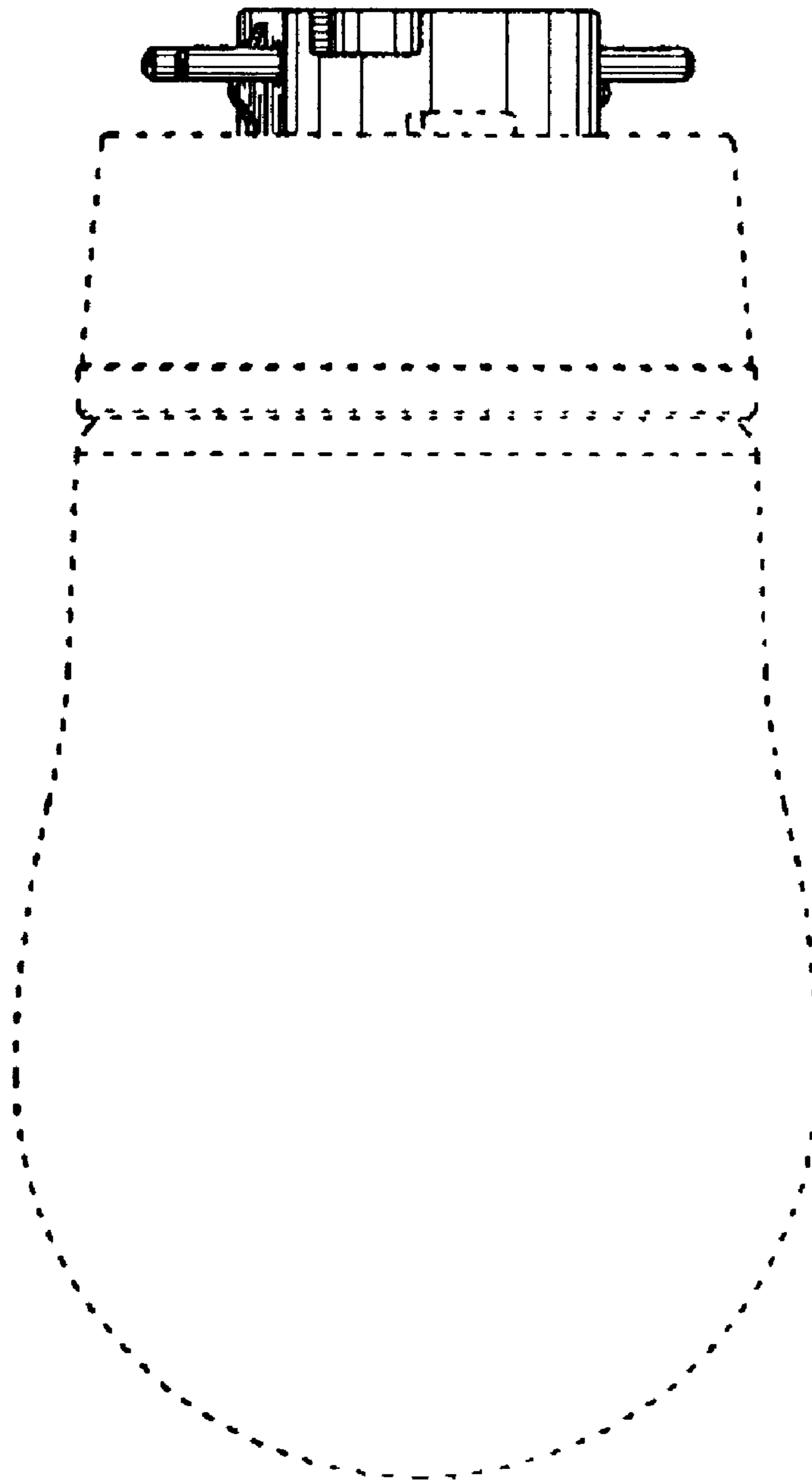


FIG. 2

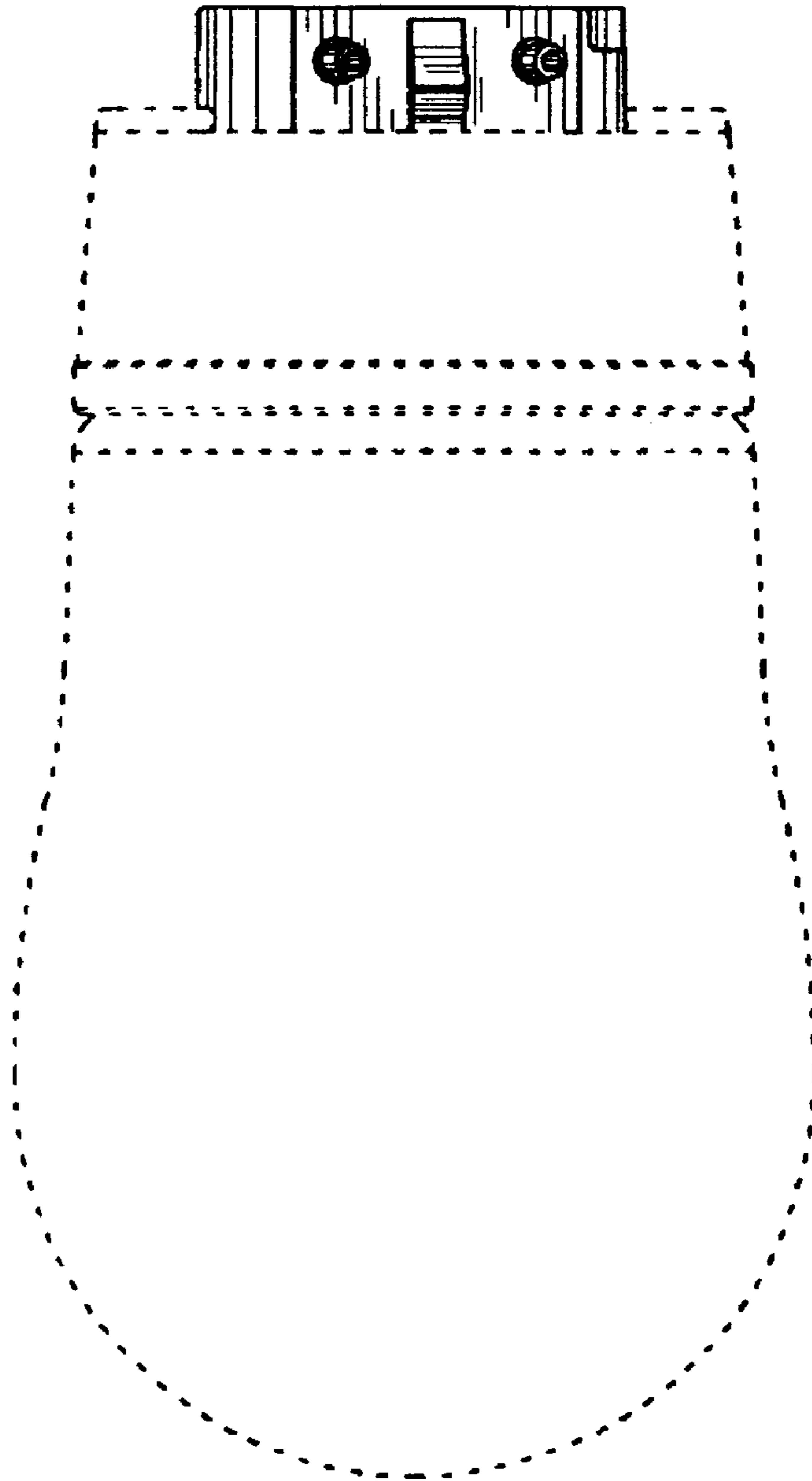


FIG. 3

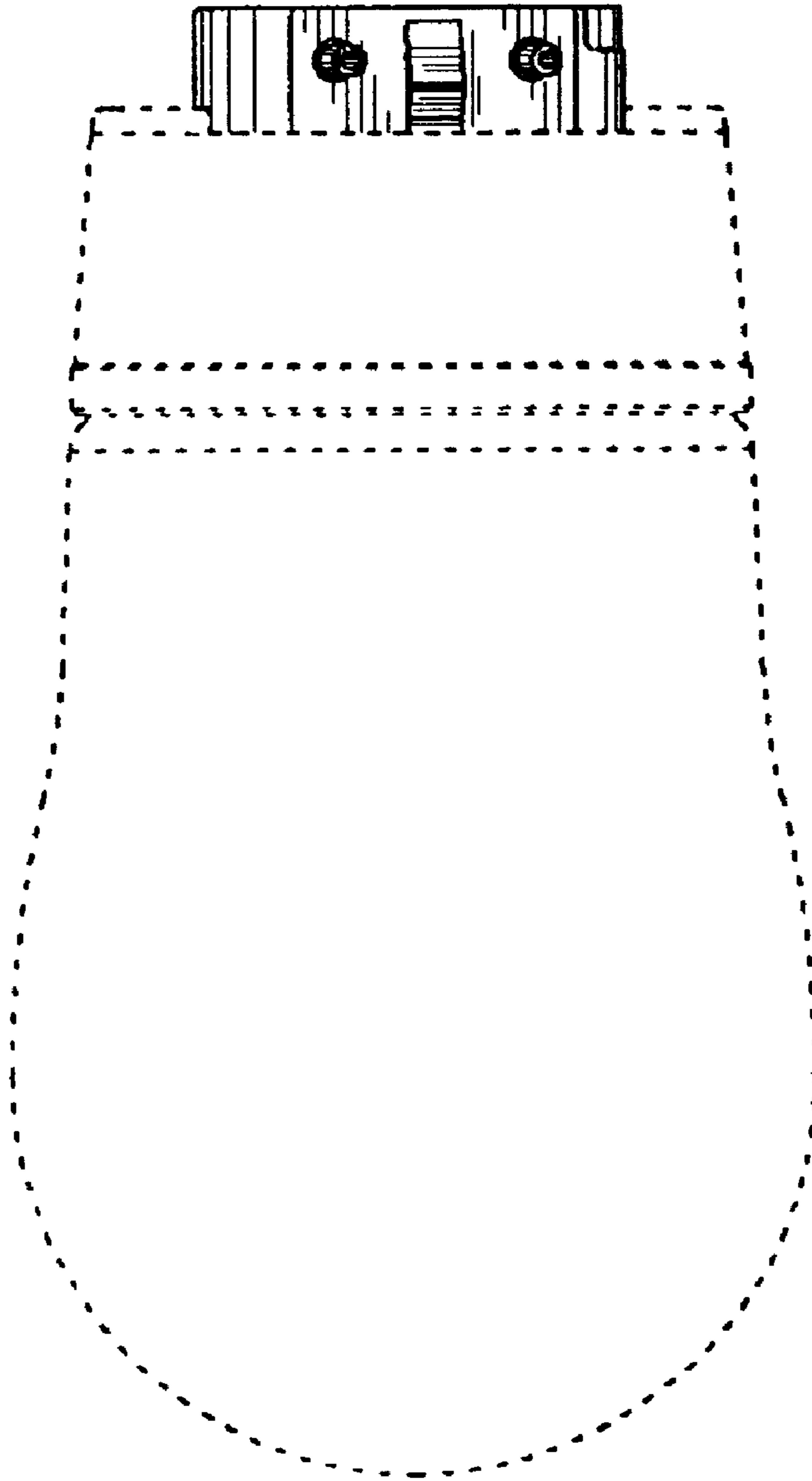


FIG. 4

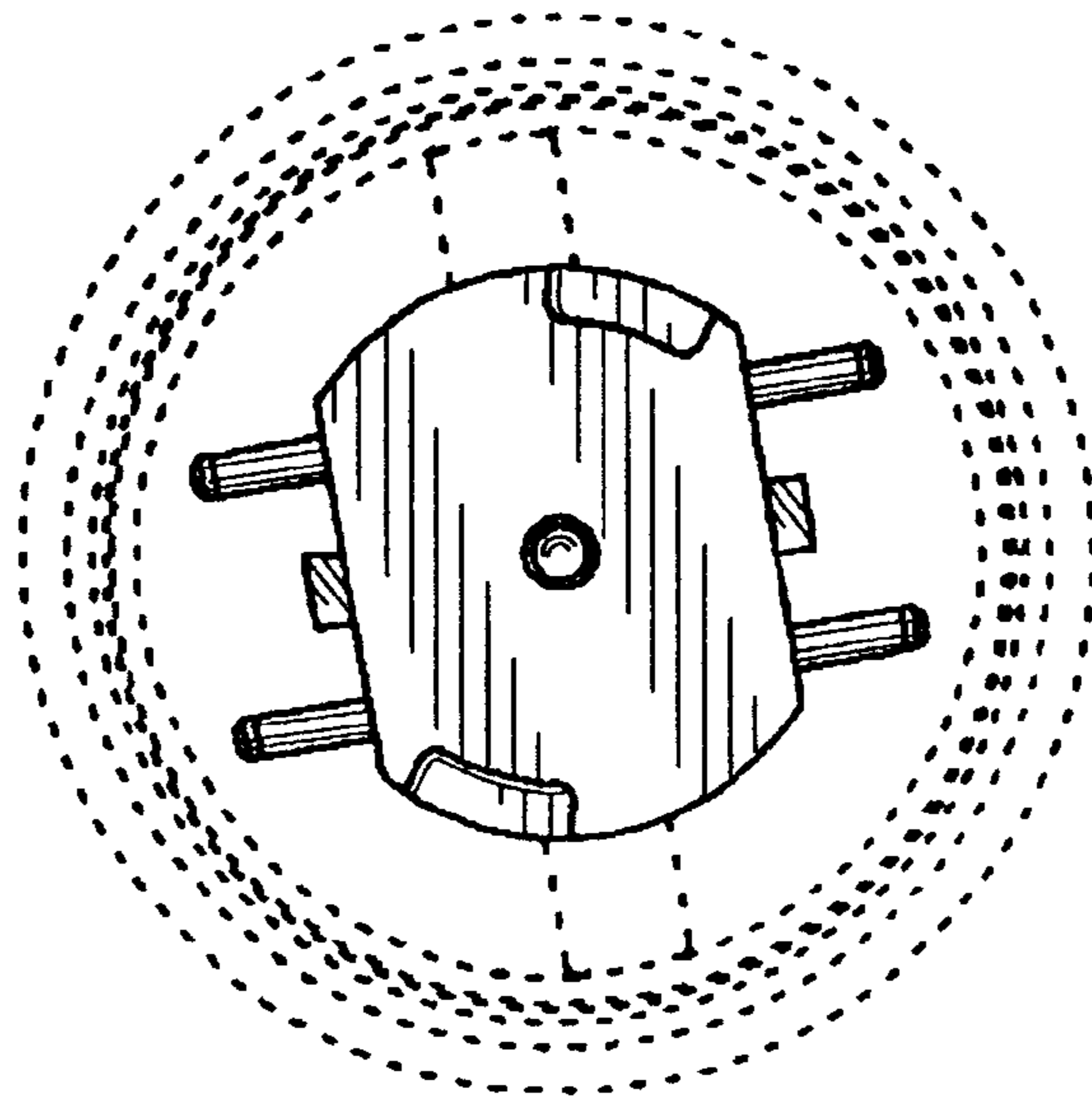


FIG. 5

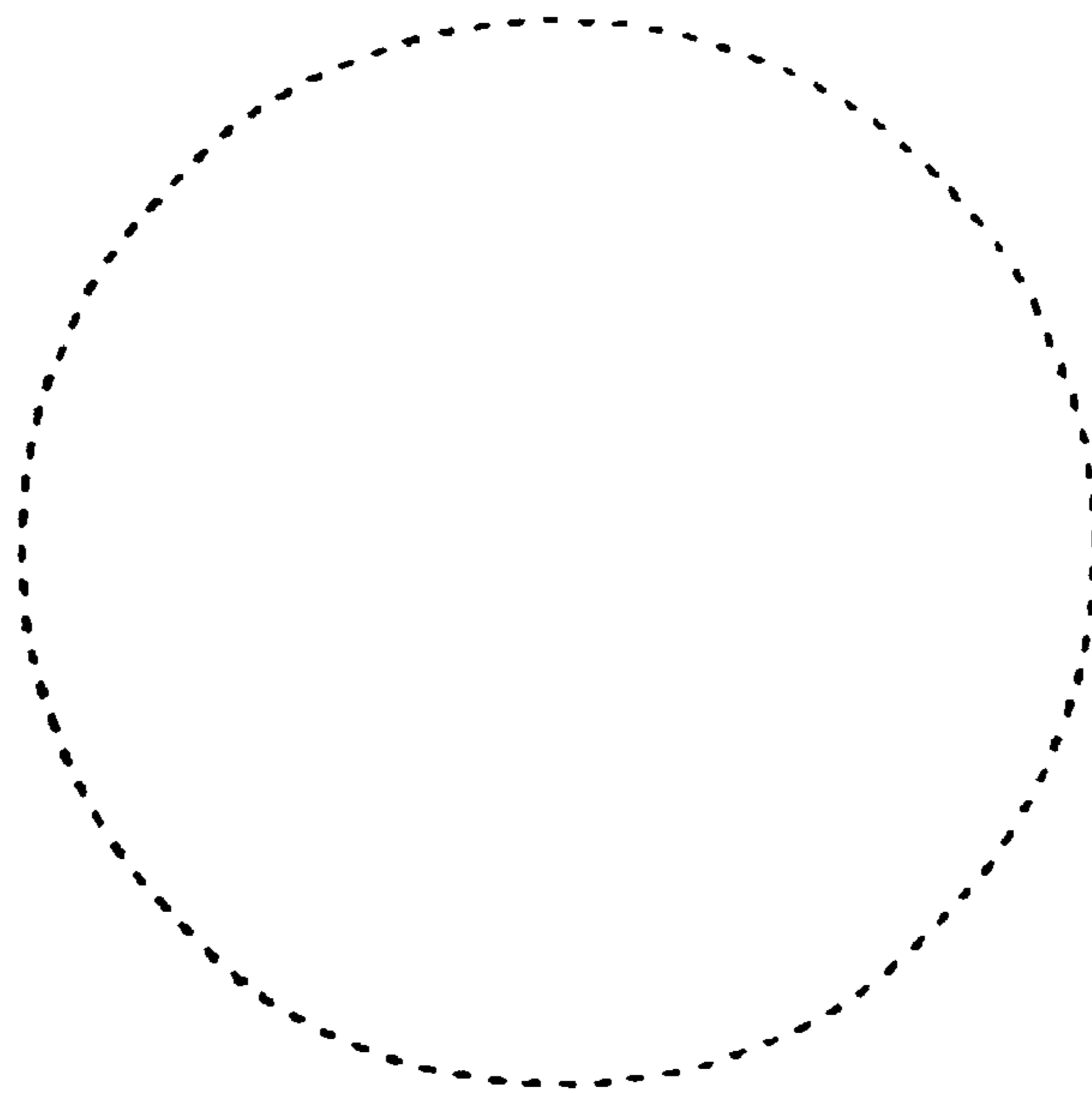


FIG. 6