

US00D529630S

(12) **United States Design Patent** (10) **Patent No.:** **US D529,630 S**
Zarb (45) **Date of Patent:** **** Oct. 3, 2006**

(54) **TRIM SYSTEMS COMPONENT FOR BUILDING STRUCTURES**

(75) Inventor: **Joseph Emmanuel Zarb**, Bonnyrigg Heights (AU)

(73) Assignee: **James Hardie International Finance B.V.**, Amsterdam (NL)

(**) Term: **14 Years**

(21) Appl. No.: **29/219,606**

(22) Filed: **Dec. 17, 2004**

(30) **Foreign Application Priority Data**

Jun. 17, 2004 (AU) 13001/2004

(51) **LOC (8) Cl.** **25-01**

(52) **U.S. Cl.** **D25/119**

(58) **Field of Classification Search** D25/119, D25/61, 136; 52/716.1, 290, 287.1, 288.1
See application file for complete search history.

(56) **References Cited**

U.S. PATENT DOCUMENTS

4,876,827	A	10/1989	Williams	
4,969,250	A	11/1990	Hickman et al.	
5,067,675	A	11/1991	Brant	
D322,678	S	* 12/1991	Brathwaite	D25/136
5,297,370	A	* 3/1994	Greenstreet et al.	52/287.1
D388,884	S	* 1/1998	Karnoski	D25/102
5,802,790	A	* 9/1998	Lamont et al.	52/288.1
D489,137	S	* 4/2004	Eichner et al.	D25/119
D489,463	S	* 5/2004	Barnett	D25/119
D492,424	S	* 6/2004	Barnett	D25/119

FOREIGN PATENT DOCUMENTS

AU	198288589	A1	3/1983
AU	94035	S	11/1986
AU	95878	S	3/1987
AU	9880	S	12/1987
AU	99683	S	2/1988

AU	102662	S	1/1989
AU	103840	S	5/1989
AU	104552	S	8/1989
AU	108078		7/1990
AU	110320	S	2/1991
AU	B-7620-91		6/1992
AU	117138	S	5/1993
AU	118448	S	10/1993

(Continued)

OTHER PUBLICATIONS

Australian Search Report; dated Jul. 6 2004; Application No. 2004903567.

International Search Report; dated Feb. 11, 2005; International Application No. PCT/AU2004/001672.

First Examination Report; dated Feb. 15, 2005; Australian Innovation Patent No. 2004101018.

Australian Patent and Design Infringement Search Results in respect of the pre-finished eave system concept.

New Zealand Patent and Design Infringement search results in respect of the pre-finished eave system concept.

Primary Examiner—Doris Clark

(74) *Attorney, Agent, or Firm*—Gardere Wynne Sewell LLP

(57) **CLAIM**

The ornamental design for a trim systems component for building structures, as shown and described.

DESCRIPTION

FIG. 1 is a perspective view of the trim systems component for building structures of the present design;

FIG. 2 is an end view thereof;

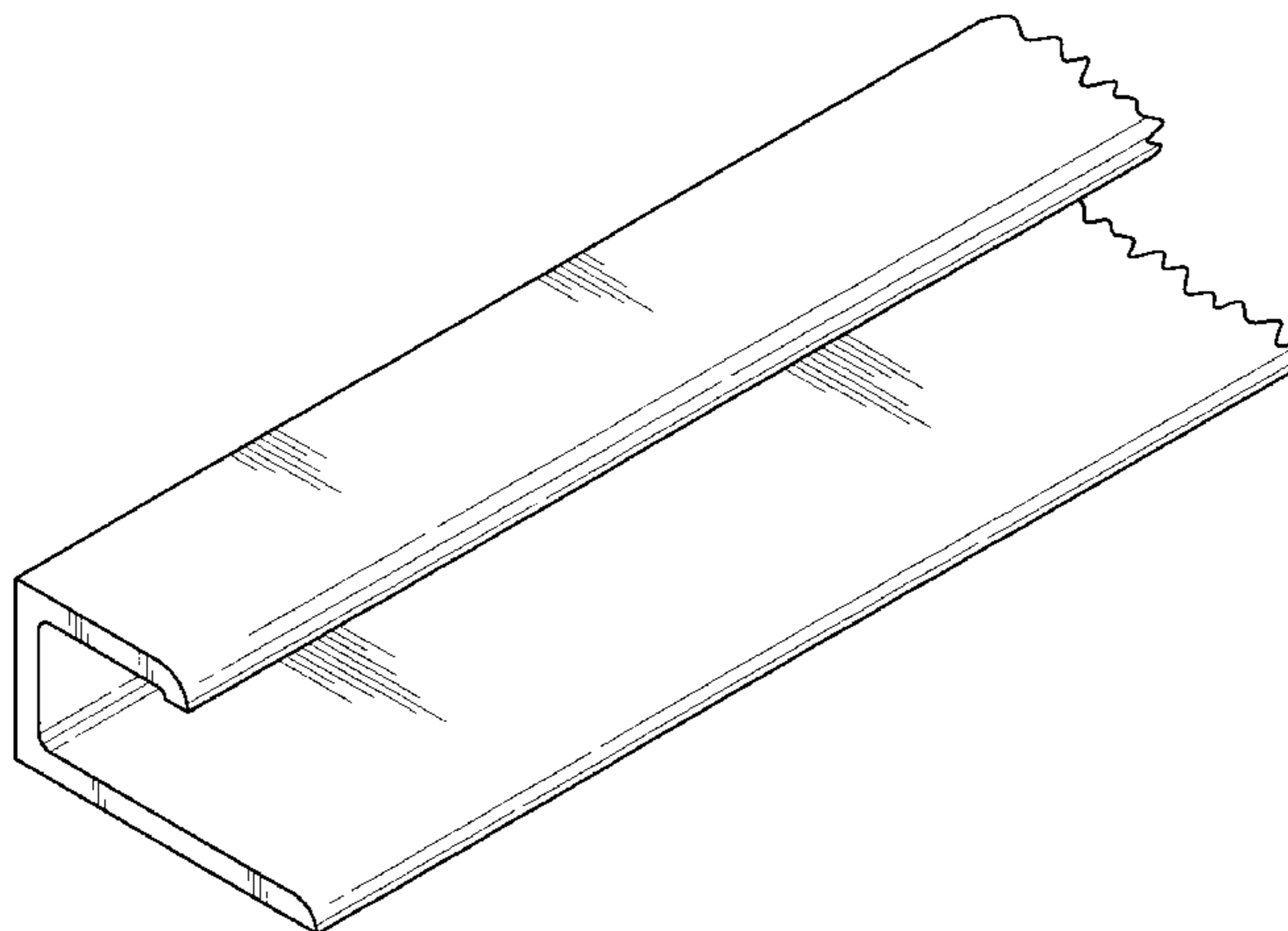
FIG. 3 is a front view thereof;

FIG. 4 is a rear view thereof; and,

FIG. 5 is a top view thereof.

The trim systems component for building structures has been broken on the end indicating indefinite length. The bottom of the trim systems component for building structures is flat and devoid of ornamentation.

1 Claim, 2 Drawing Sheets



US D529,630 S

Page 2

U.S. PATENT DOCUMENTS					
			JP	2001154612 A	6/2000
			JP	2004027497 A	6/2002
AU	118862 S	11/1993	NZ	19354	9/1984
AU	122634 S	2/1995	NZ	211265	2/1985
AU	123141	4/1995	NZ	20119	10/1985
AU	123142 S	4/1995	NZ	20120	10/1985
AU	199652126 B2	11/1996	NZ	20844	11/1986
AU	130941 S	8/1997	NZ	218315	2/1987
AU	132812 S	2/1998	NZ	21875	4/1988
AU	135097 S	9/1998	NZ	22705	7/1989
AU	13557 S	11/1998	NZ	240533	11/1991
AU	137291 S	5/1999	NZ	242960	5/1992
AU	137791 S	7/1999	NZ	25267	6/1993
AU	140607 S	5/2000	NZ	248942	10/1993
AU	147568 S	4/2002	NZ	258838	4/1994
AU	148485 S	7/2002	NZ	26065	7/1994
AU	2002301511 A1	6/2003	NZ	26066	7/1994
AU	152915 S	8/2003	NZ	306382	5/1996
AU	153491 S	10/2003	NZ	504881	10/1998
AU	153493	10/2003	NZ	334918	3/1999
AU	153494 S	10/2003	NZ	331336	10/1999
AU	153495 S	10/2003	NZ	512028	11/1999
AU	153496 S	10/2003	NZ	502004	12/1999
CA	730345 A	3/1966	NZ	400643	4/2000
GB	1125825	9/1968	NZ	505799	7/2000
GB	1 269 357	4/1972	NZ	507846	10/2000
GB	2 021 186 A	11/1979	NZ	508055	11/2000
GB	2 075 079 A	11/1981	NZ	516912	1/2002
GB	2 078 611 A	1/1982	NZ	517658	3/2002
GB	2 199 857 A	7/1988	WO	WO 96-14482	5/1996
GB	2 340 071 A	2/2000	WO	WO 97/28342	8/1997
JP	08074377 A	9/1994	WO	WO 01/36191 A1	5/2001
JP	10046741 A	8/1996			
JP	11241448 A	2/1998			

* cited by examiner

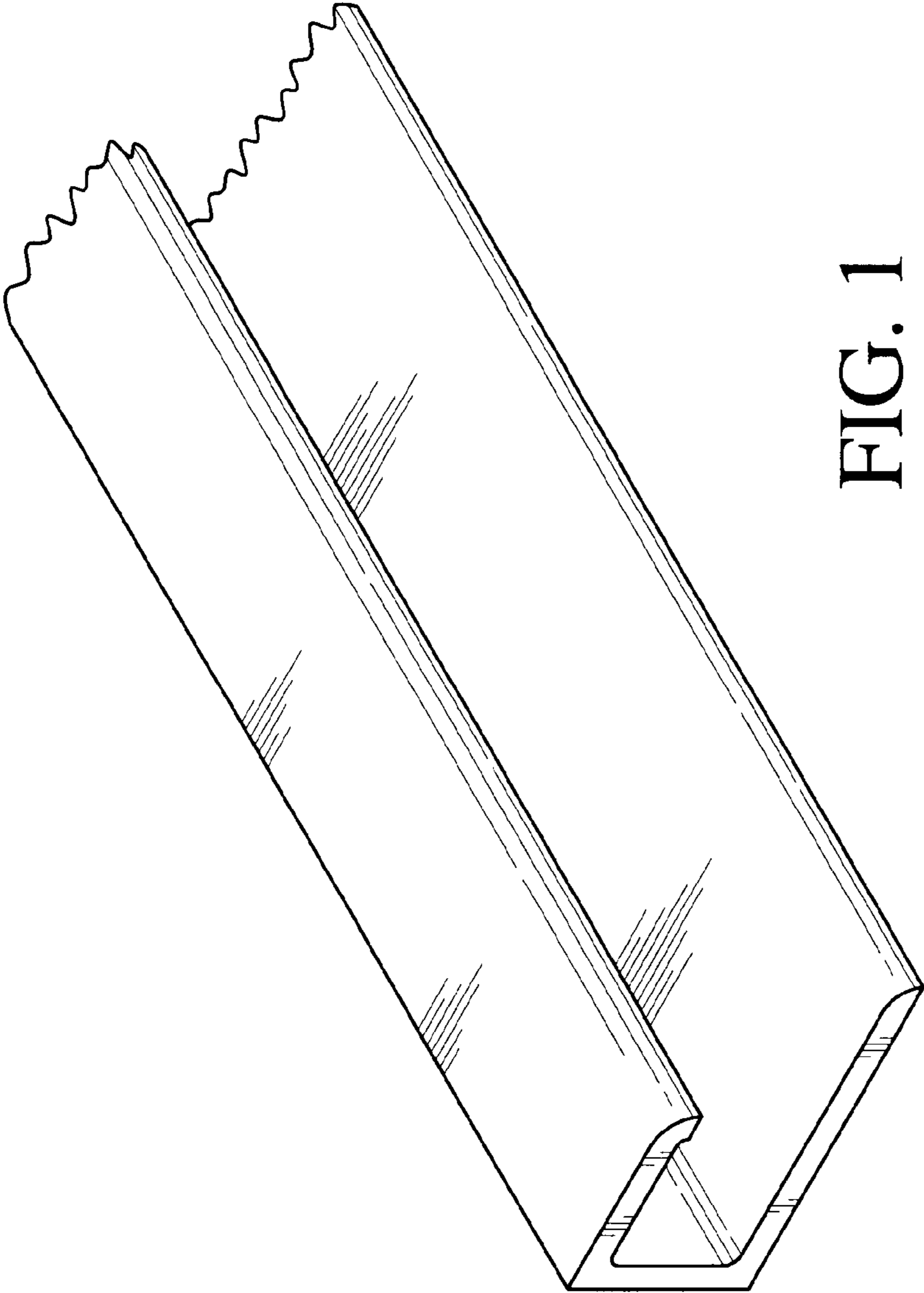


FIG. 1

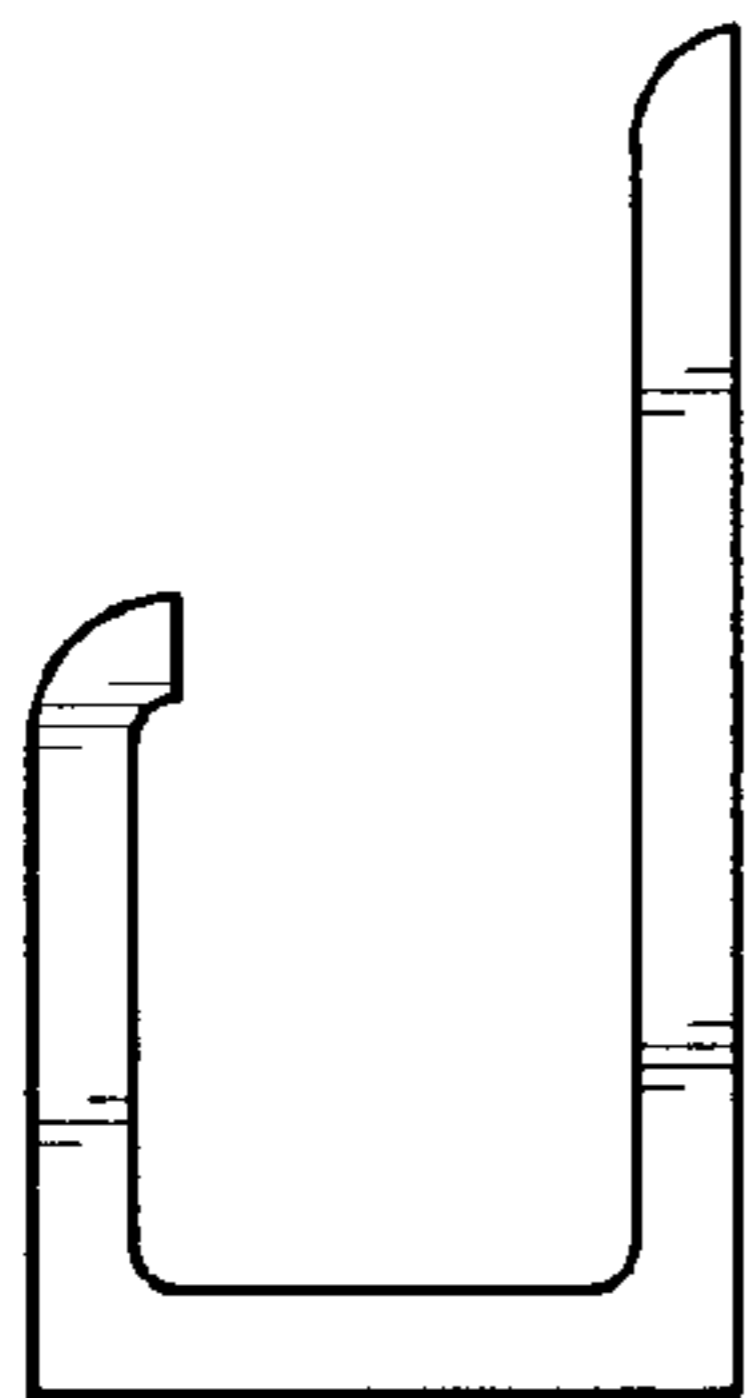


FIG. 2

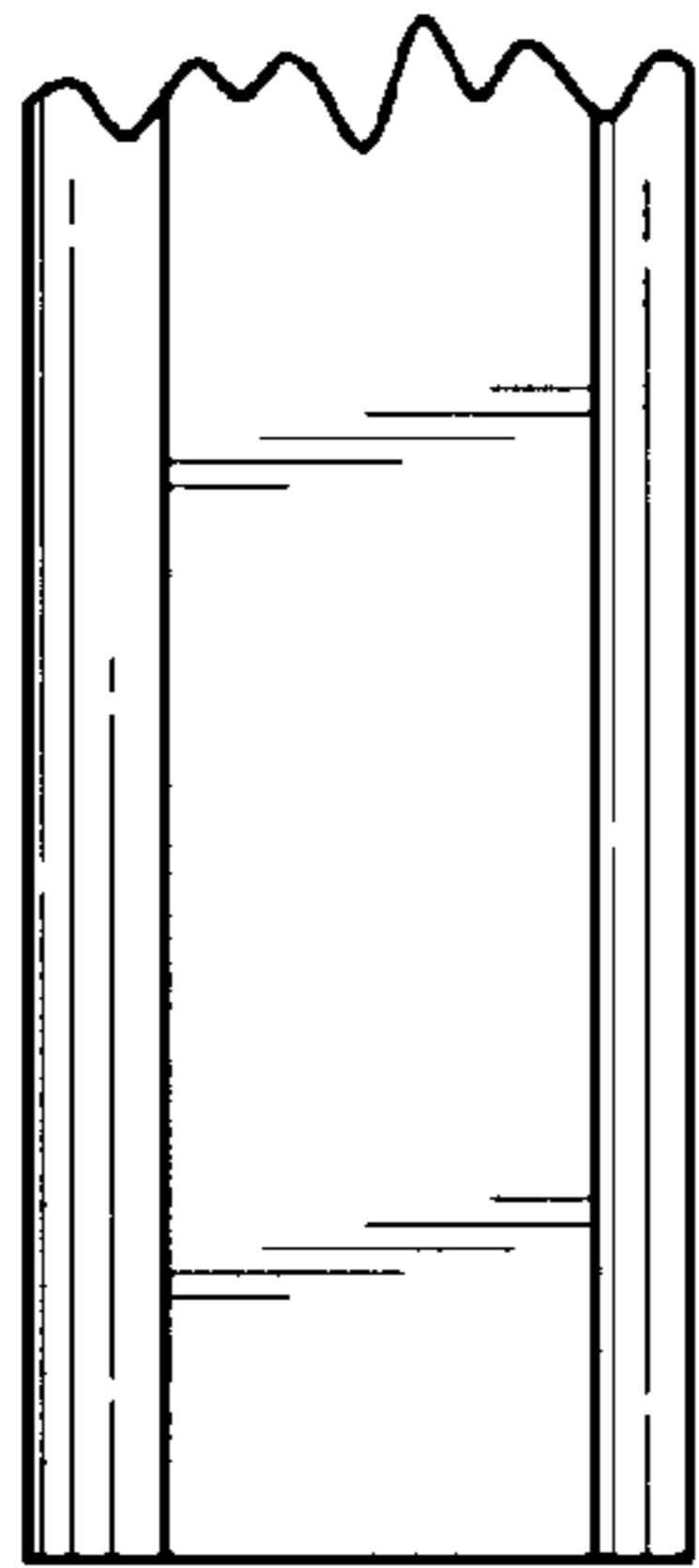


FIG. 3

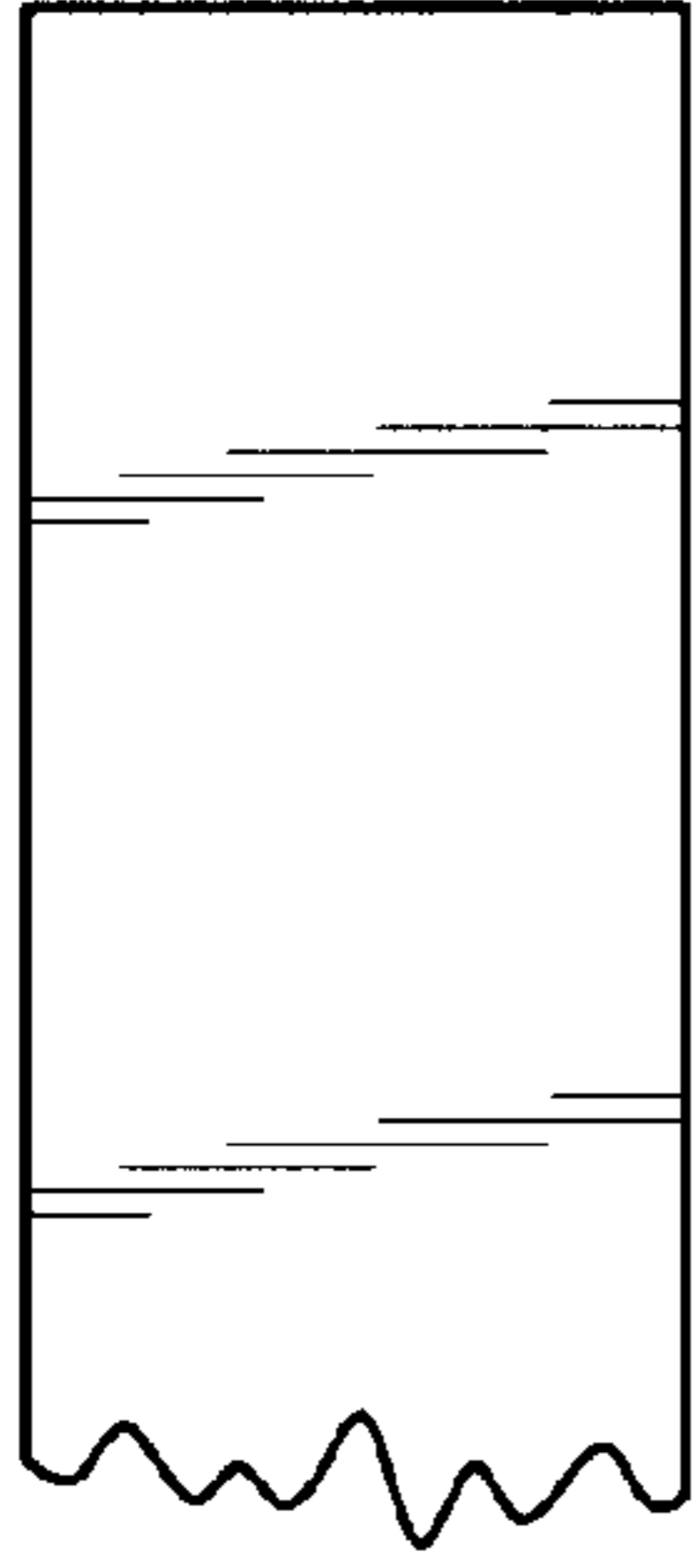


FIG. 4

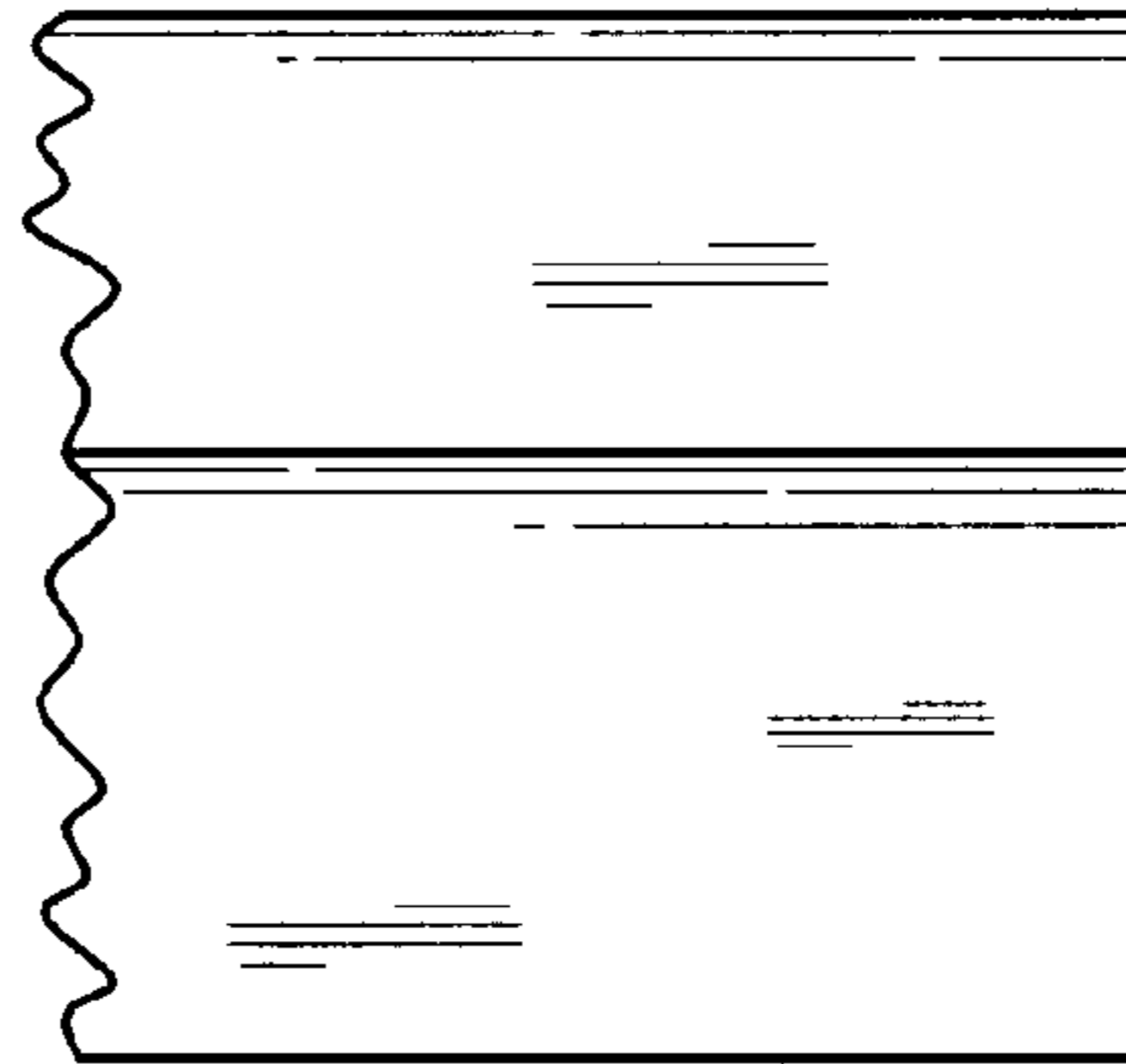


FIG. 5