



US00D529622S

(12) **United States Design Patent**  
**Hadjis et al.**

(10) **Patent No.:** **US D529,622 S**  
(45) **Date of Patent:** **\*\* Oct. 3, 2006**

(54) **CRYOGENIC STORAGE BOX**

(75) Inventors: **Peter T. Hadjis**, Vernon Hills, IL (US);  
**Christopher J. Stvartak**, Skokie, IL (US)

(73) Assignee: **Heathrow Scientific LLC**, Vernon Hills, IL (US)

(\*\*) Term: **14 Years**

(21) Appl. No.: **29/245,508**

(22) Filed: **Dec. 23, 2005**

(51) **LOC (8) Cl.** ..... **24-02**

(52) **U.S. Cl.** ..... **D24/229**

(58) **Field of Classification Search** ..... D24/217-234;  
D3/203.1-203.3; D9/426, 737-741; 206/446,  
206/557-565; 211/74; 422/102, 104

See application file for complete search history.

(56) **References Cited**

**U.S. PATENT DOCUMENTS**

3,682,597	A	*	8/1972	Husch	.....	422/104
D264,810	S	*	6/1982	Voltmann	.....	D3/203.3
D271,239	S	*	11/1983	Lemieux et al.	.....	D24/230
D280,015	S	*	8/1985	Sarajian	.....	D24/227
D282,577	S	*	2/1986	Neumeister	.....	D24/226
D324,819	S	*	3/1992	Eisenberg	.....	D3/203.3
D330,670	S	*	11/1992	Georgakis et al.	.....	D9/737
6,019,225	A	*	2/2000	Kalmakis et al.	.....	206/563
6,875,405	B1	*	4/2005	Mathus et al.	.....	422/102

\* cited by examiner

*Primary Examiner*—Robert A. Delehanty  
*Assistant Examiner*—Mark Cavanna

(74) *Attorney, Agent, or Firm*—Michael Best & Friedrich LLP

(57) **CLAIM**

The ornamental design for a cryogenic storage box, as shown.

**DESCRIPTION**

FIG. 1 is a right side view of the cryogenic storage box, with the lid down, the side opposite being a mirror image;

FIG. 2 is a right side view of the cryogenic storage box, without the lid; the side opposite being a mirror image;

FIG. 3 is a front elevation view of the cryogenic storage box, with the lid down;

FIG. 4 is a front elevation view of the cryogenic storage box, without the lid;

FIG. 5 is a top plan view of the cryogenic storage box, without the lid;

FIG. 6 is a perspective view of the cryogenic storage box, without the lid;

FIG. 7 is a perspective view of the cryogenic storage box, with the lid up;

FIG. 8 is a perspective view of the cryogenic storage box, with the lid down;

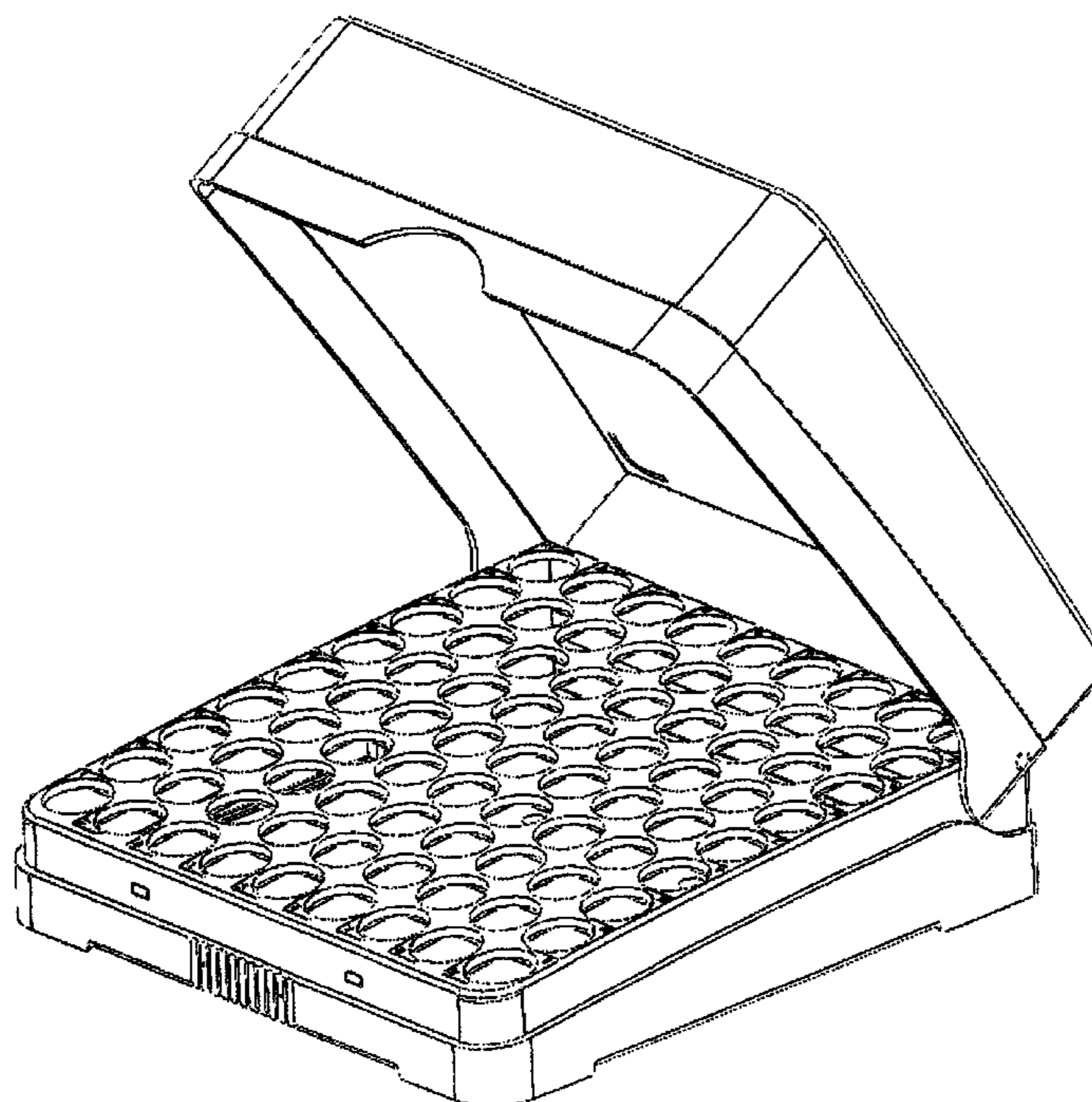
FIG. 9 is a rear elevation view of the cryogenic storage box, with the lid down;

FIG. 10 is a rear elevation view of the cryogenic storage box, without the lid;

FIG. 11 is a bottom plan view of the cryogenic storage box; and,

FIG. 12 is a top plan view of the cryogenic storage box, with the lid down.

**1 Claim, 12 Drawing Sheets**



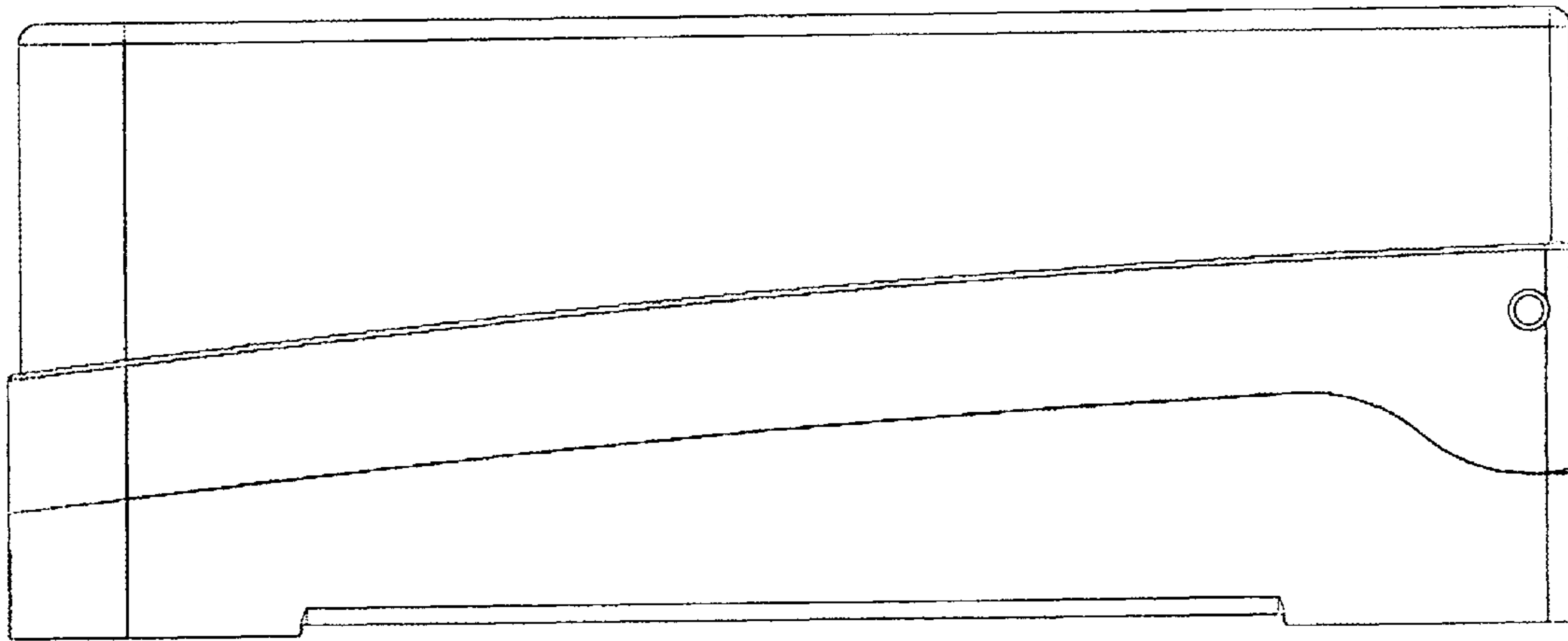


FIG. 1

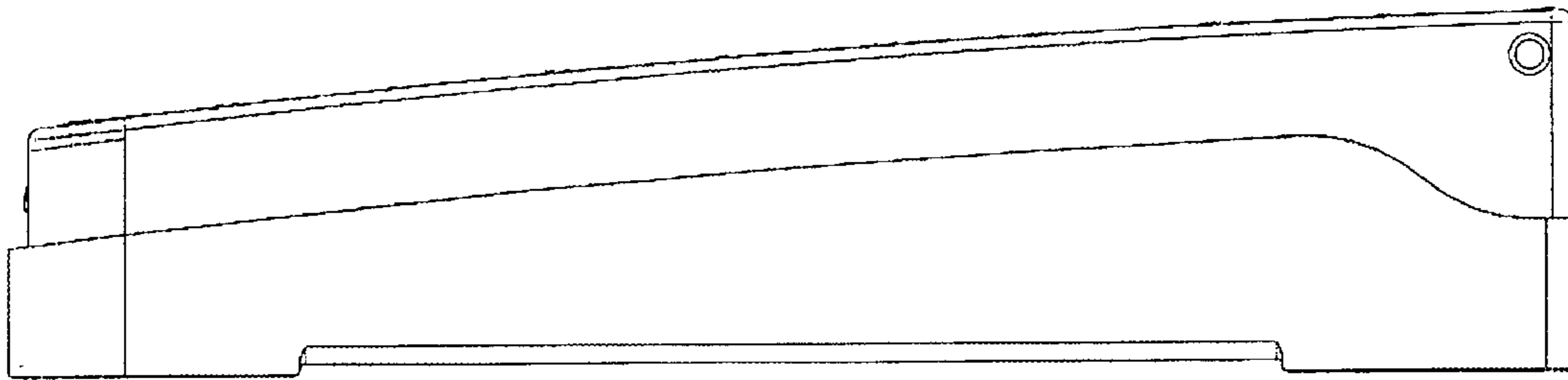


FIG. 2

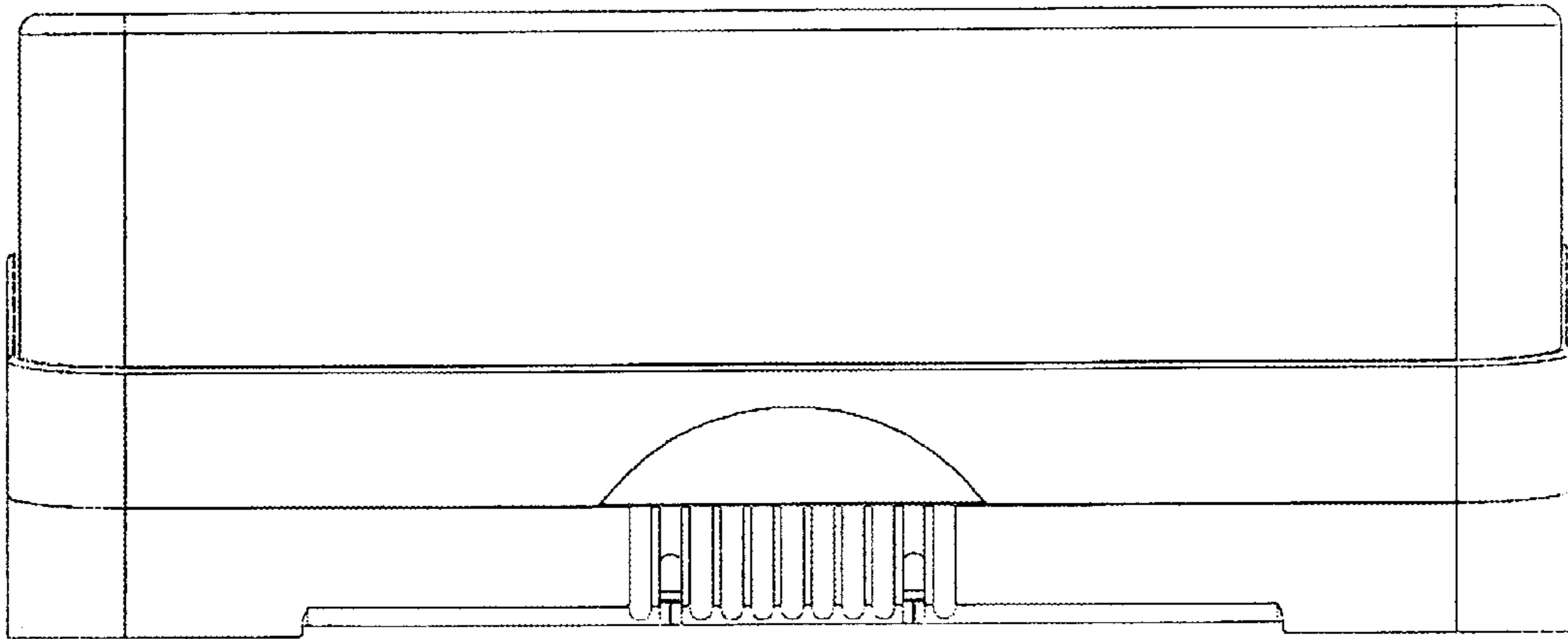


FIG. 3

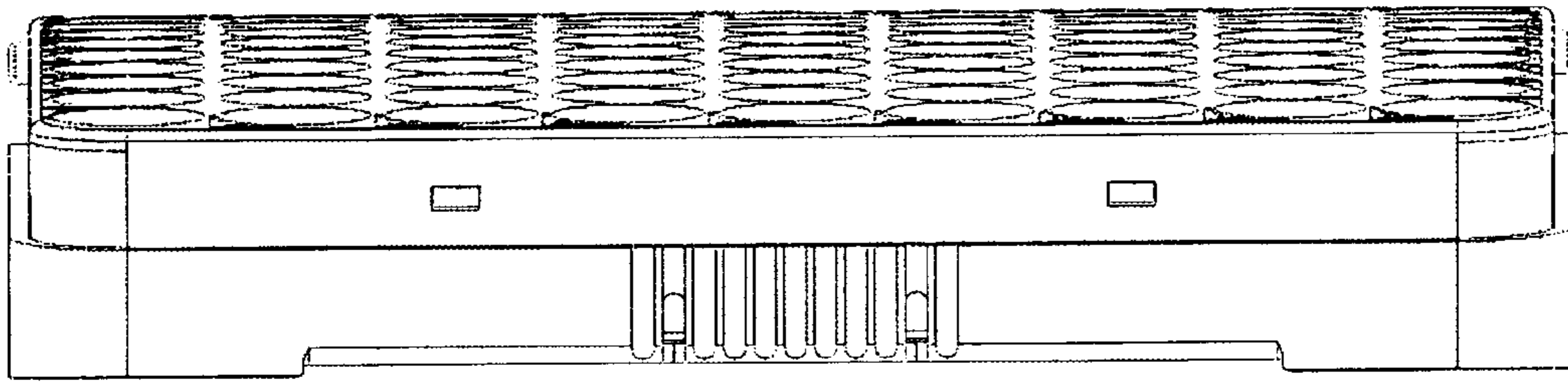


FIG. 4

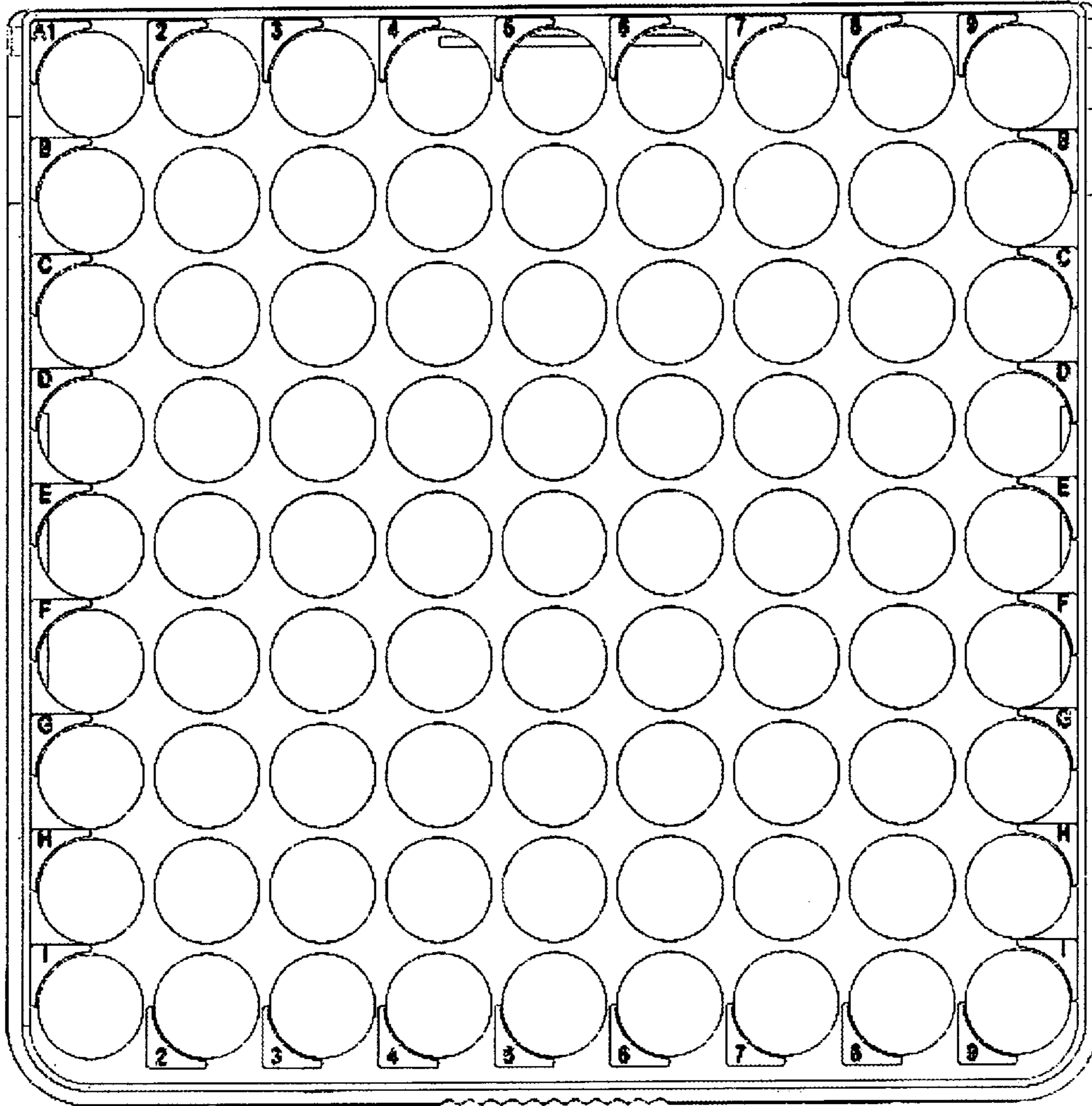


FIG. 5



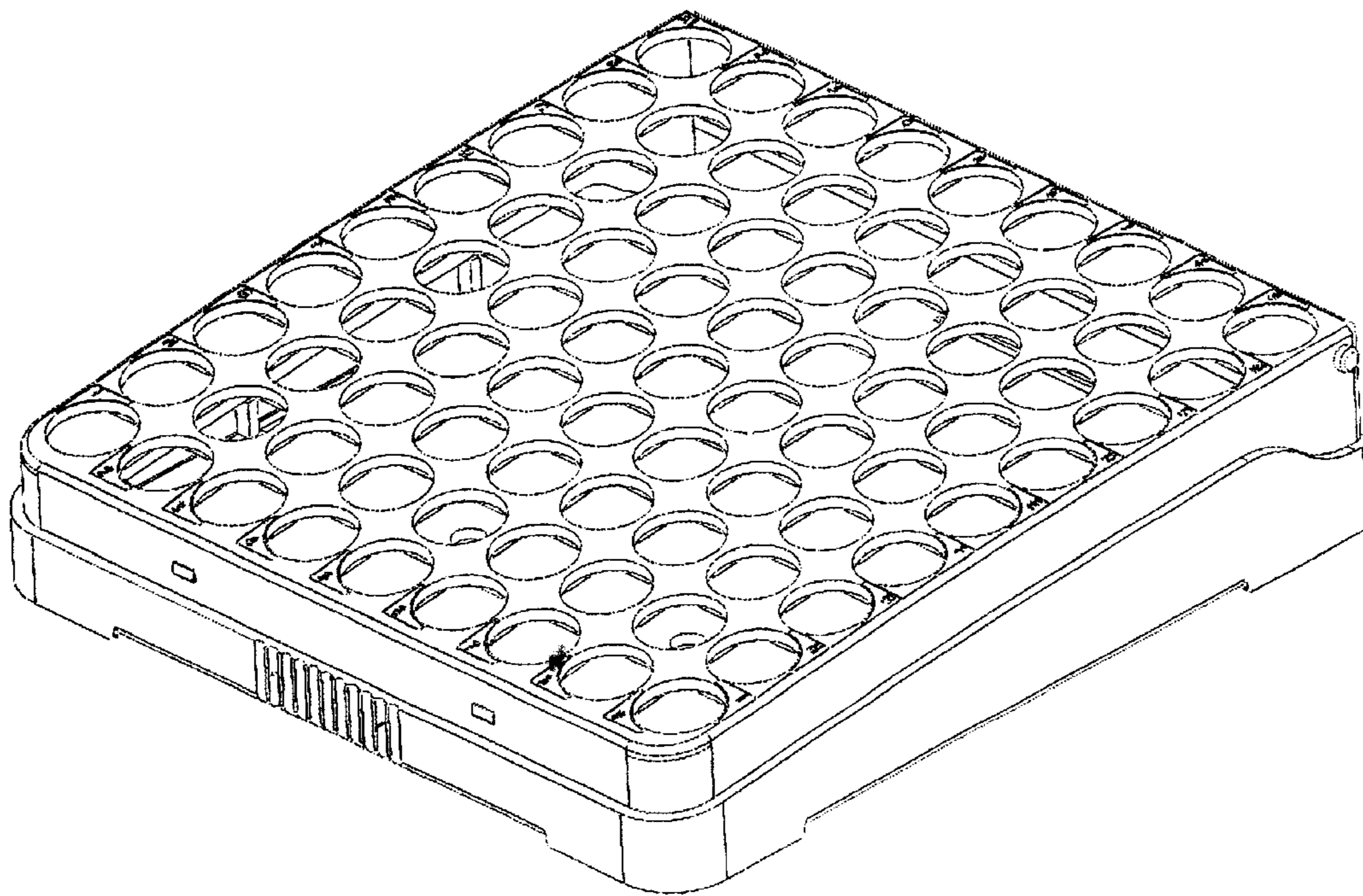


FIG. 6

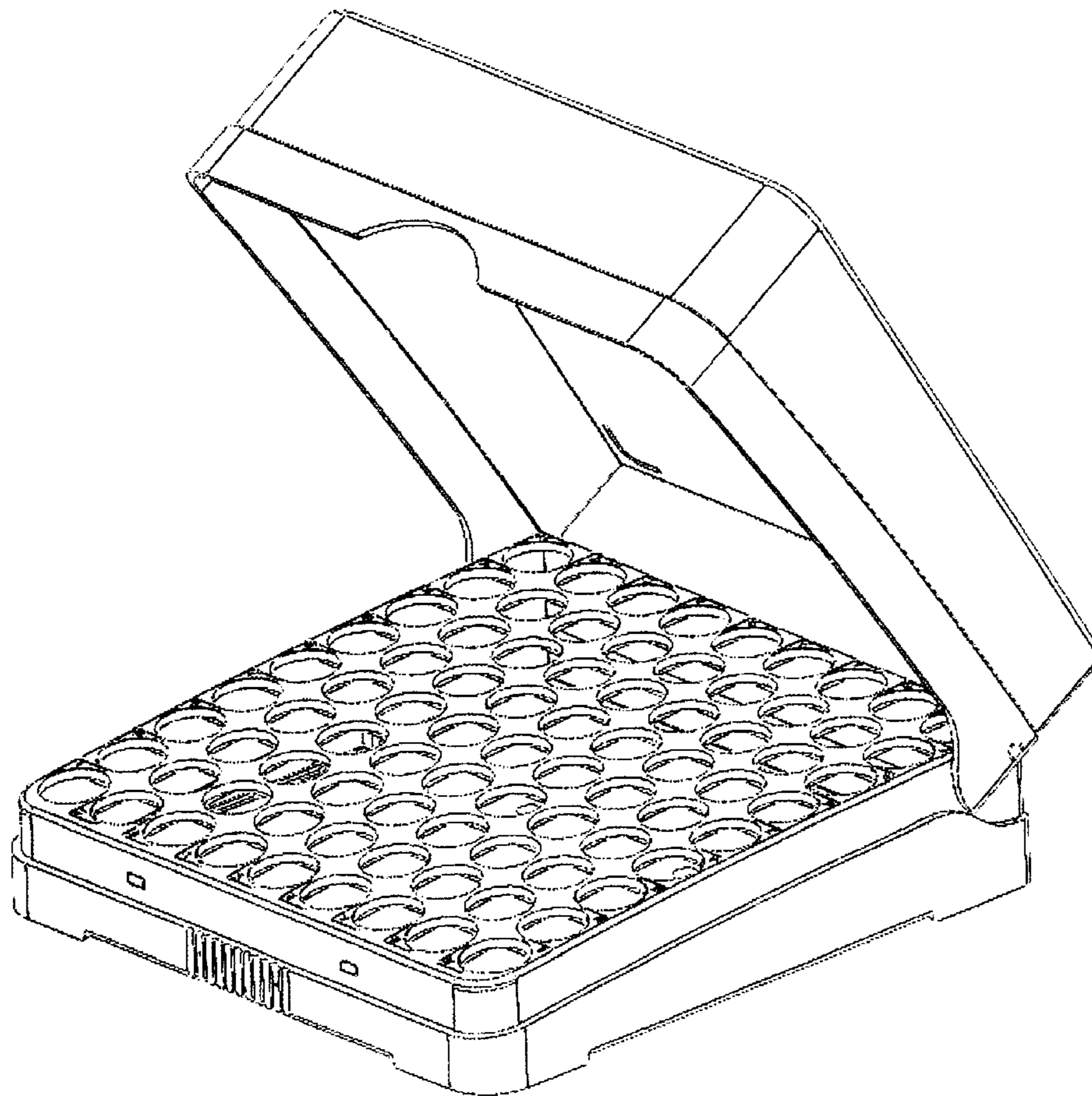


FIG. 7



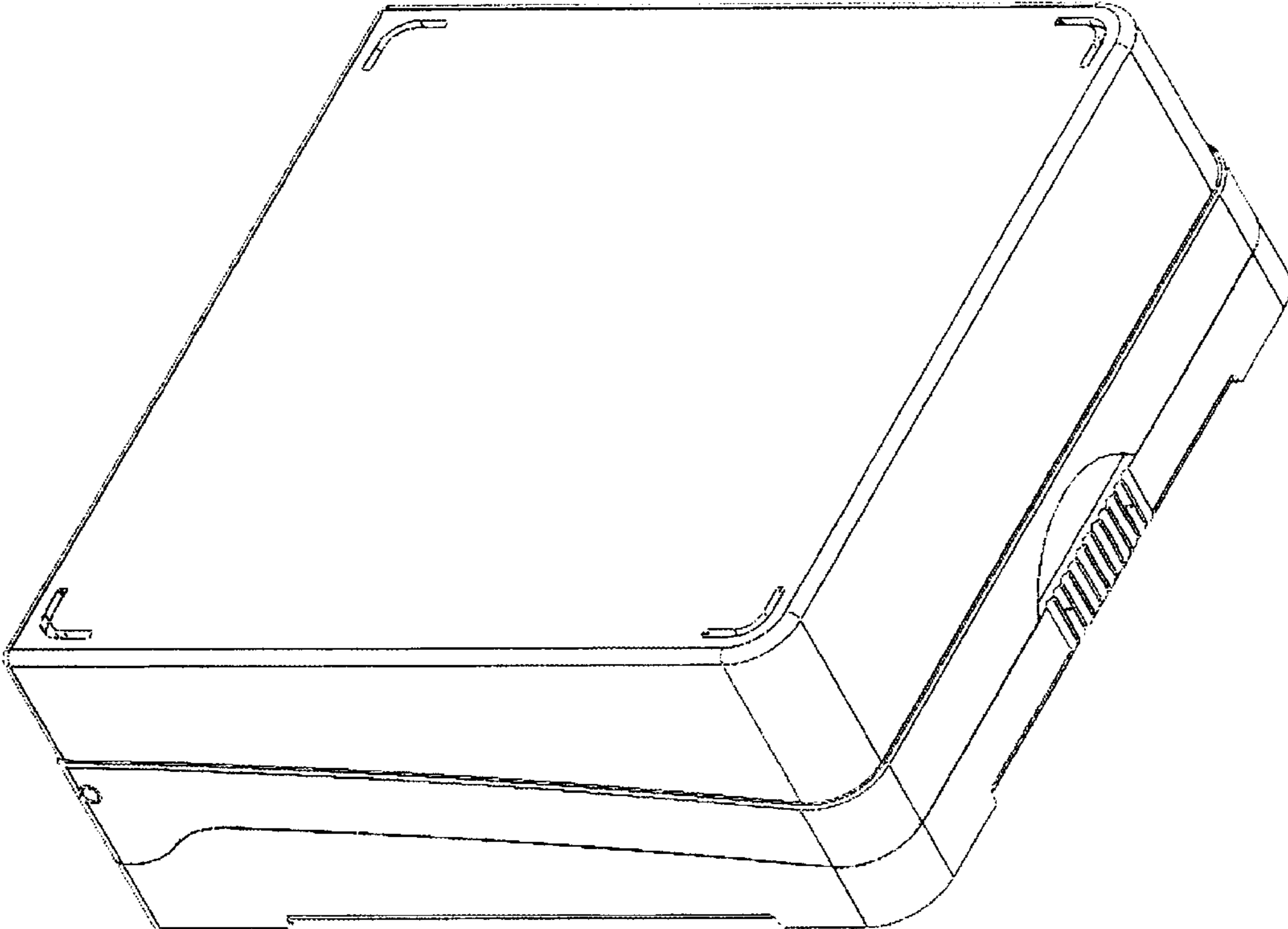


FIG. 8

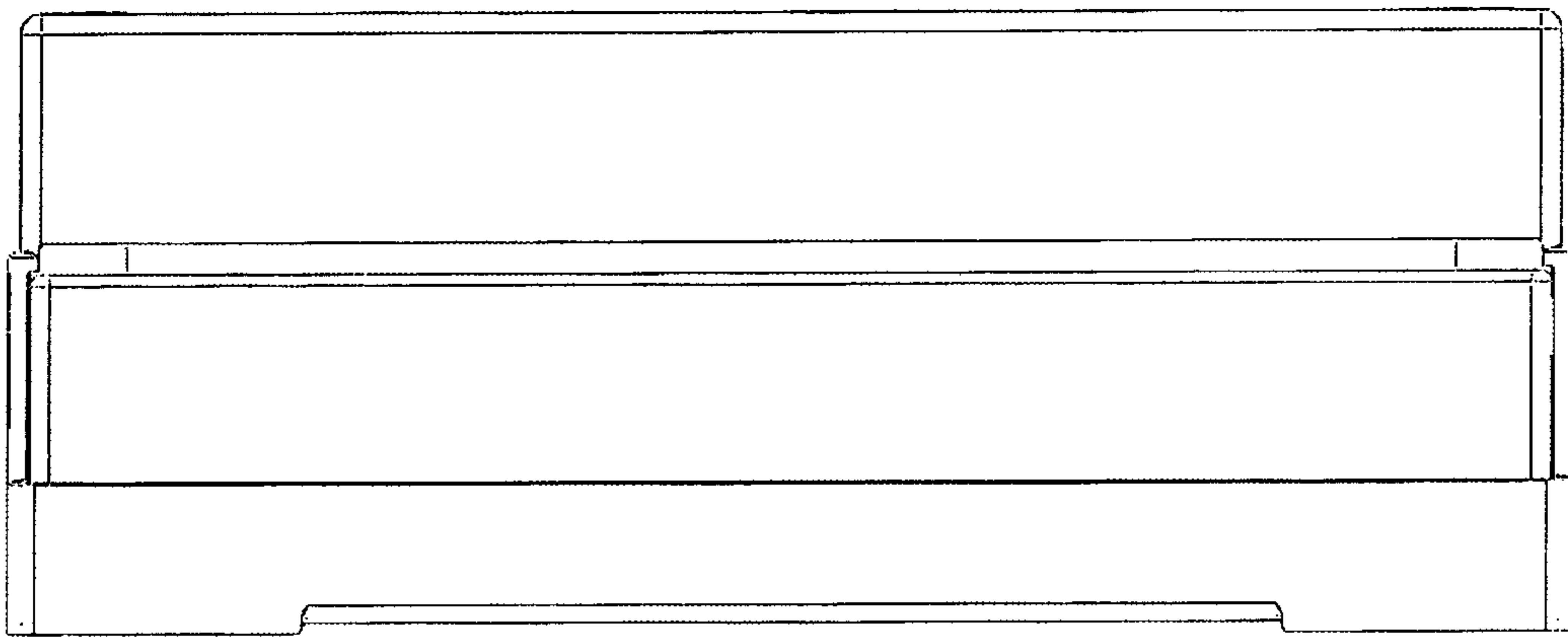


FIG. 9

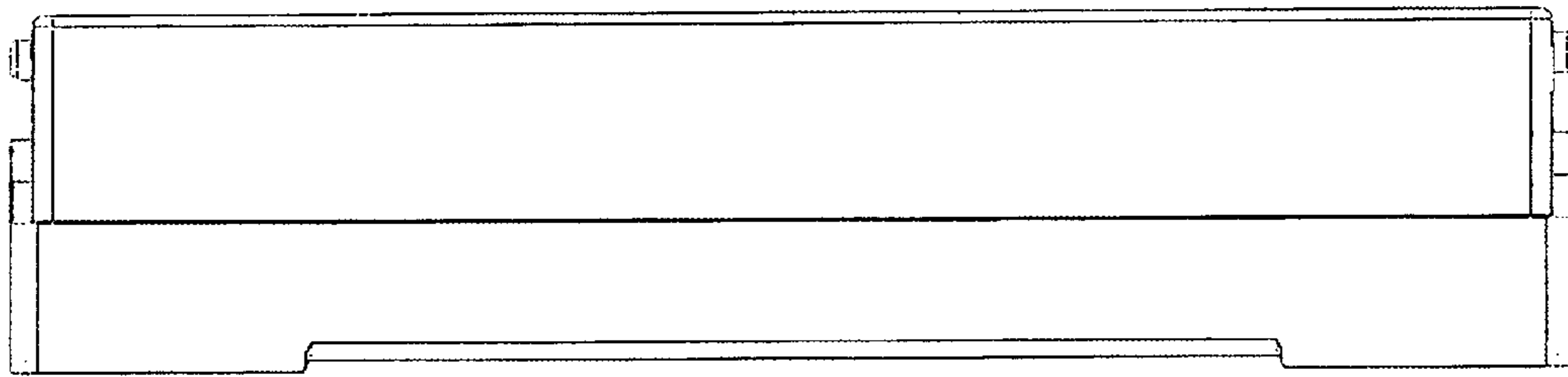


FIG. 10

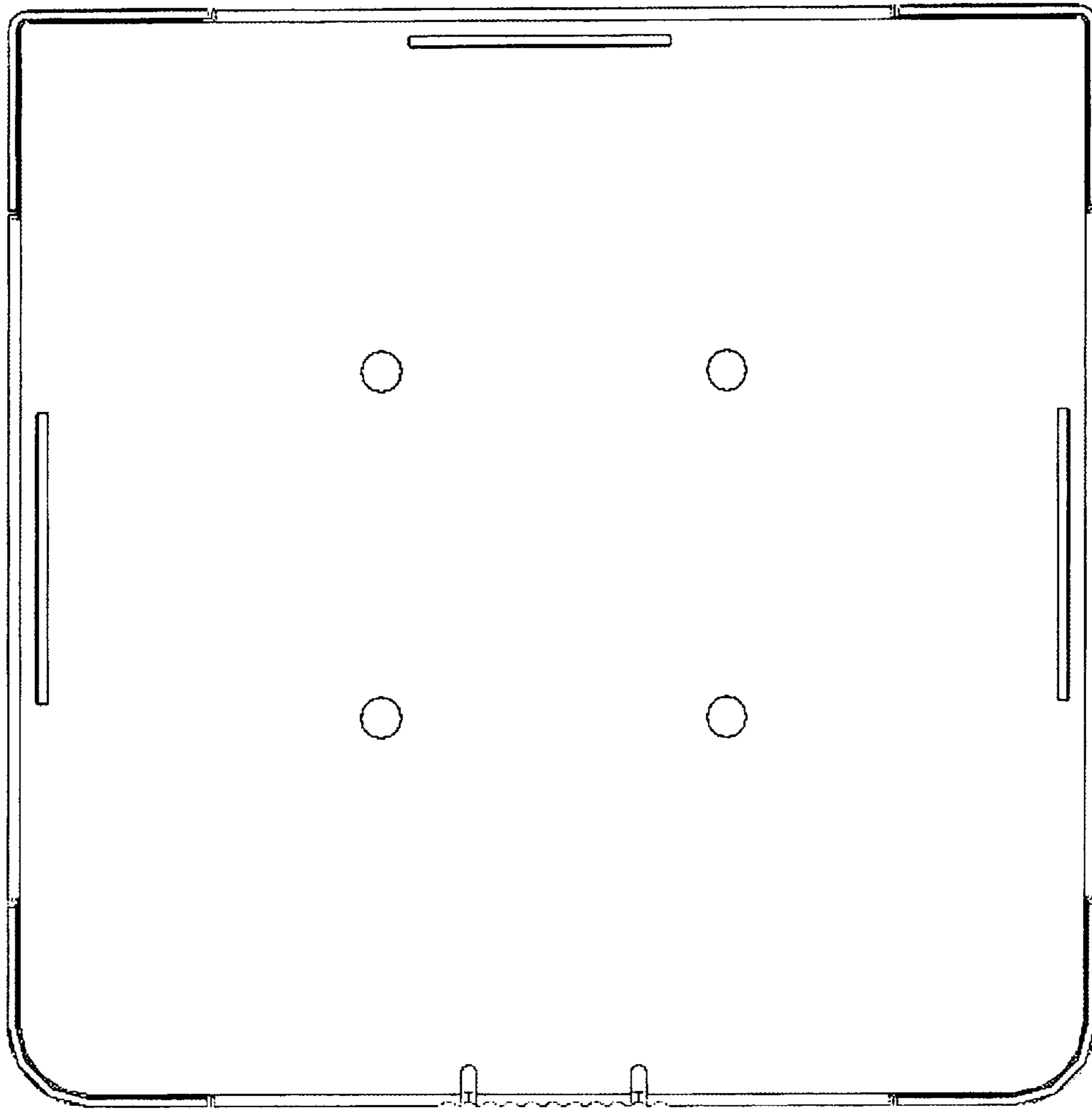


FIG. 11

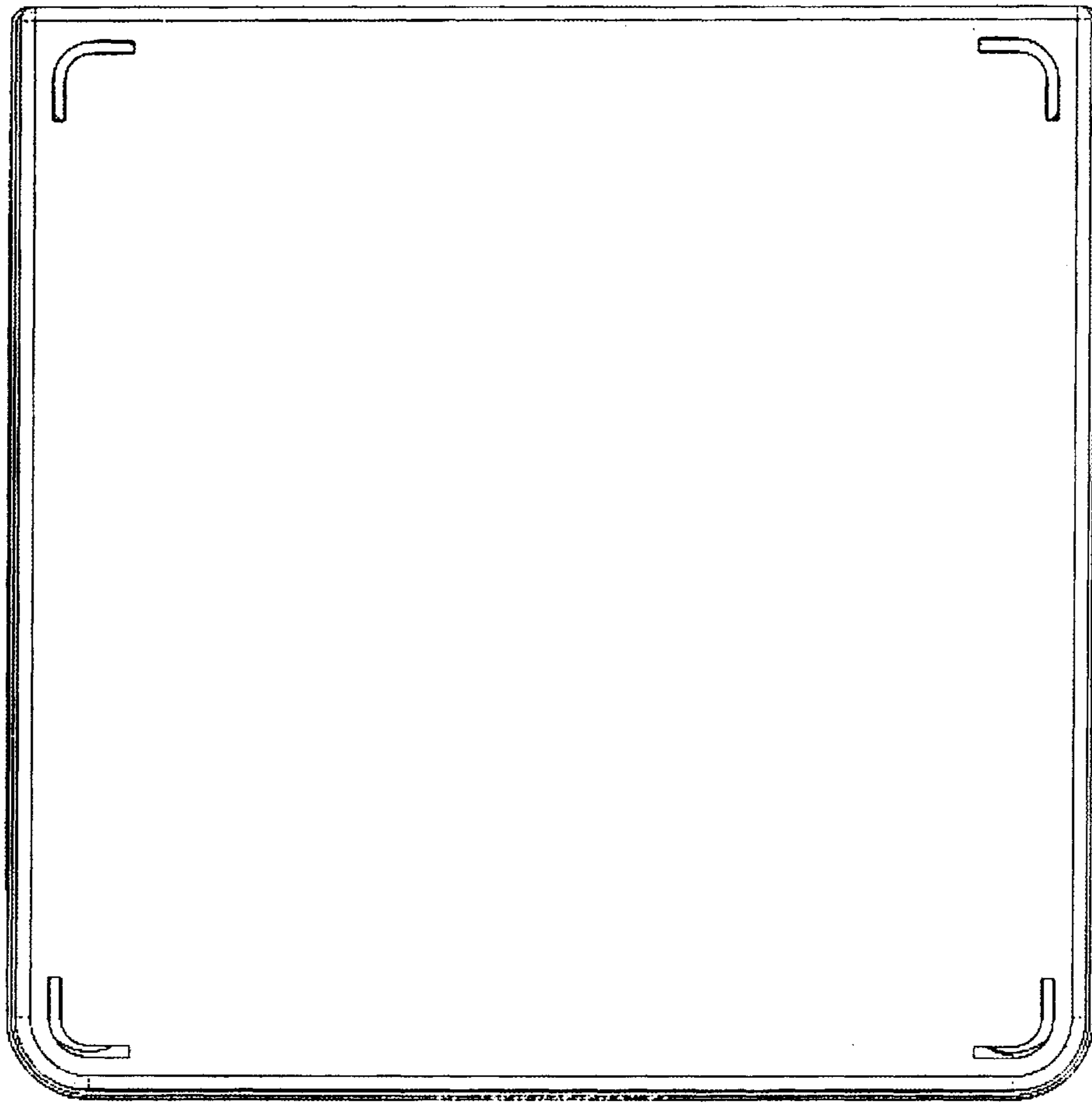


FIG. 12