

US00D529618S

(12) **United States Design Patent**
Travis et al.

(10) **Patent No.:** **US D529,618 S**
(45) **Date of Patent:** **** Oct. 3, 2006**

(54) **HEAT AND LIGHT THERAPY DEVICE**

(75) Inventors: **Lee W. Travis**, Littleton, CO (US);
Christopher Andrews, Fort Collins,
CO (US); **David W. Wright**, Littleton,
CO (US); **Sherry Fox**, Parker, CO (US)

(73) Assignee: **BioCare Systems, Inc.**, Parker, CO
(US)

(**) Term: **14 Years**

(21) Appl. No.: **29/232,568**

(22) Filed: **Jun. 21, 2005**

(51) **LOC (8) Cl.** **28-03**

(52) **U.S. Cl.** **D24/210; D24/206**

(58) **Field of Classification Search** D24/200,
D24/206, 209, 210; 601/15-17; 606/13; 607/88,
607/90, 91, 94, 99

See application file for complete search history.

(56) **References Cited**

U.S. PATENT DOCUMENTS

2,602,302 A * 7/1952 Poux D24/206
D282,202 S * 1/1986 Ellersick D24/210
D290,654 S * 6/1987 Ohnishi D24/206

5,005,374 A * 4/1991 Spitler D24/207
D325,637 S * 4/1992 O'Brien et al. D24/206
D438,974 S * 3/2001 Crapps D24/206
6,471,716 B1 * 10/2002 Pecukonis 607/89
D506,009 S * 6/2005 Kent et al. D24/210
2003/0187486 A1 * 10/2003 Savage et al. 607/89

* cited by examiner

Primary Examiner—Ian Simmons

Assistant Examiner—Melanie Levy

(74) *Attorney, Agent, or Firm*—John R. Ley

(57) **CLAIM**

The ornamental design for the heat and light therapy device,
as shown and described.

DESCRIPTION

FIG. 1 is a perspective view of the heat and light therapy
device of the present invention, and also illustrating a strap
in phantom which does not form a part of the invention.

FIG. 2 is a front elevational view of FIG. 1.

FIG. 3 is a rear elevational view of FIG. 1.

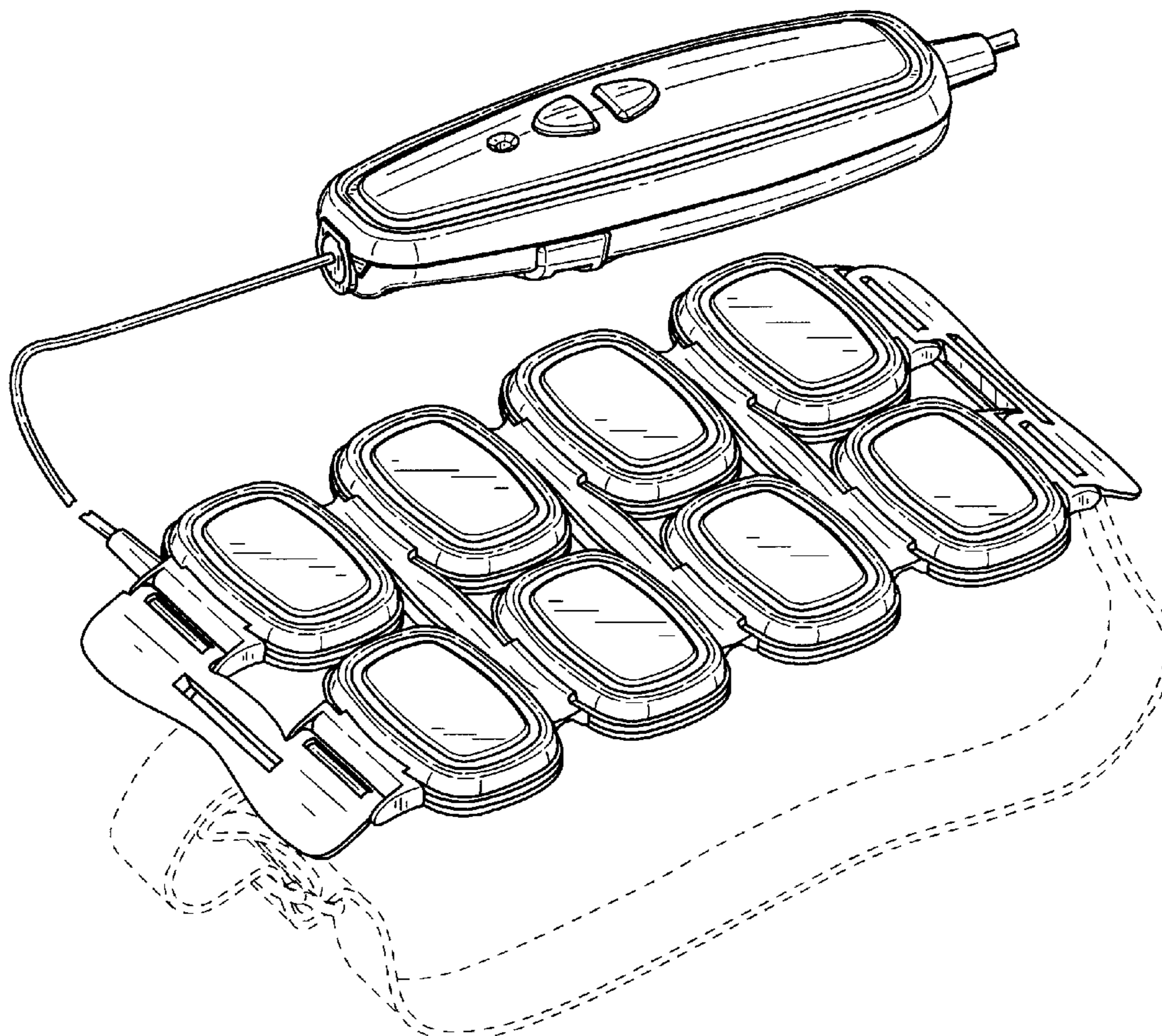
FIG. 4 is a right-side elevational view of FIG. 1.

FIG. 5 is a left-side elevational view of FIG. 1.

FIG. 6 is a top plan view of FIG. 1; and,

FIG. 7 is a bottom plan view of FIG. 1.

1 Claim, 4 Drawing Sheets



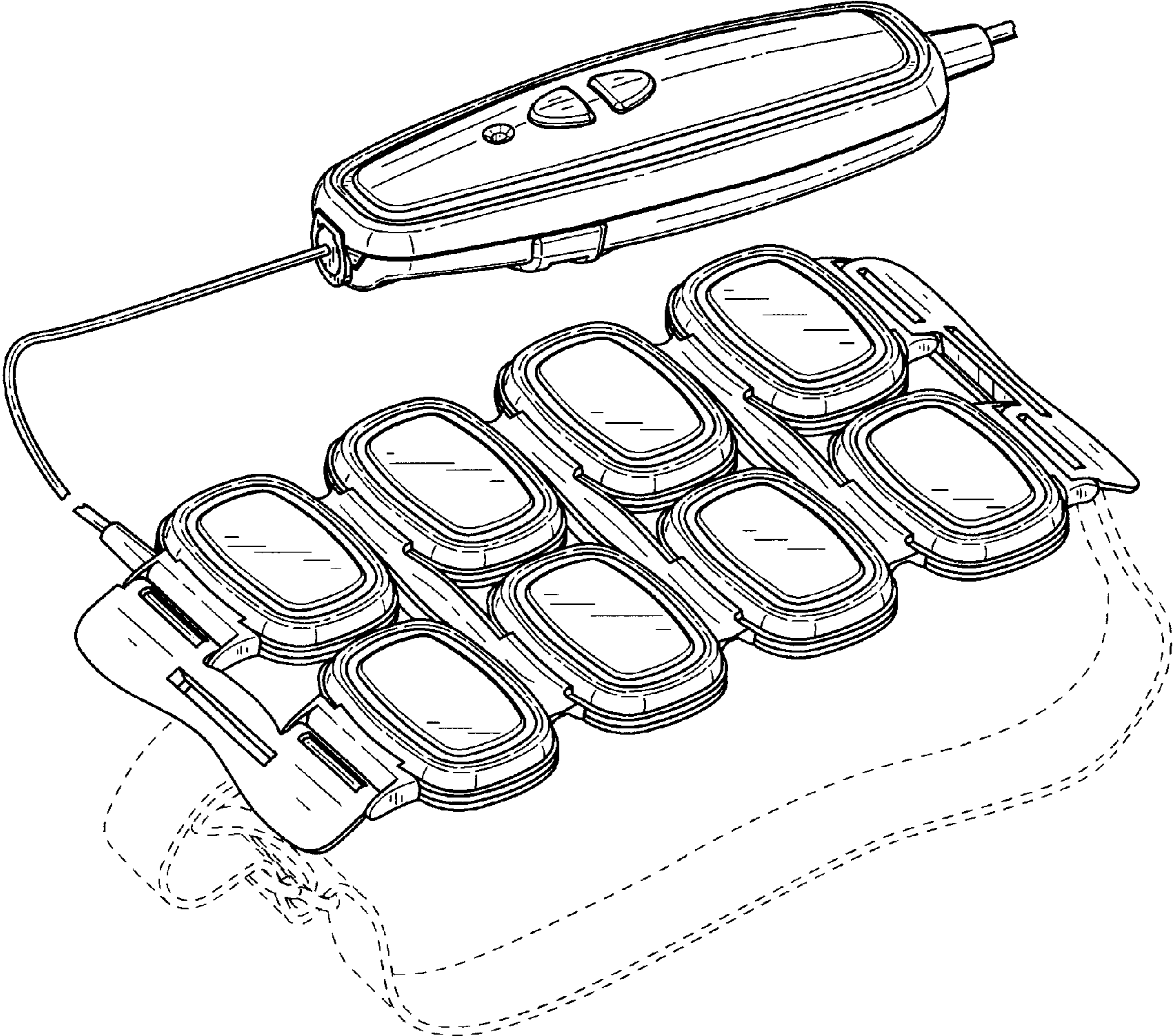


FIG.1

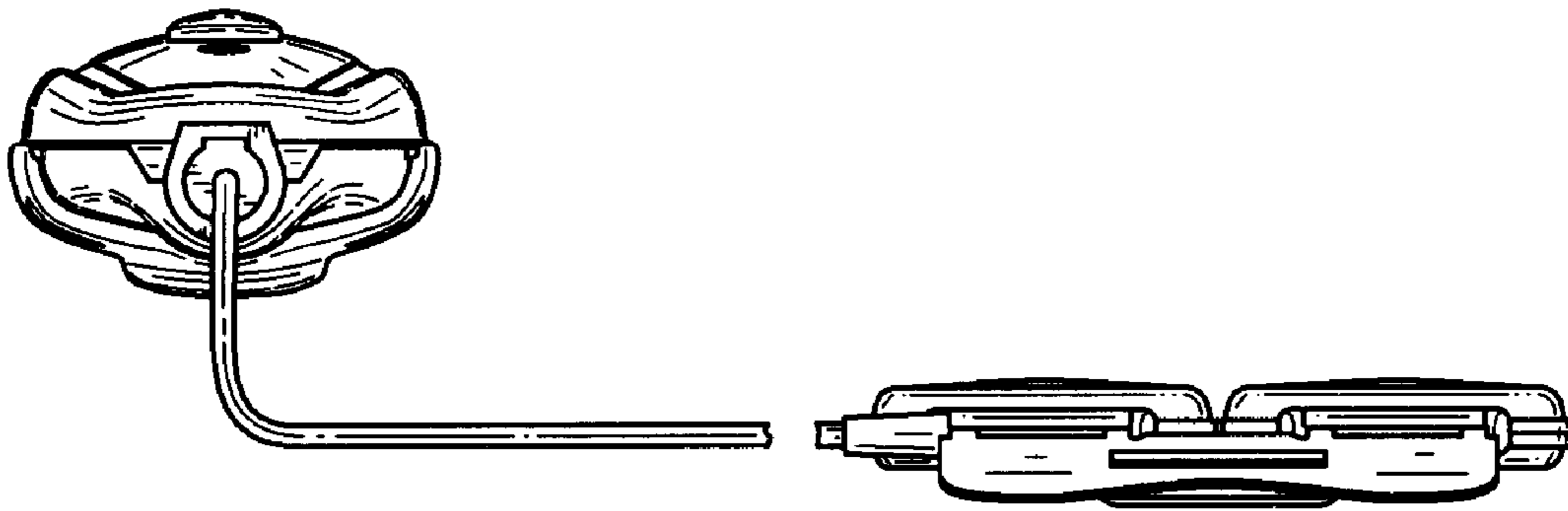


FIG. 2

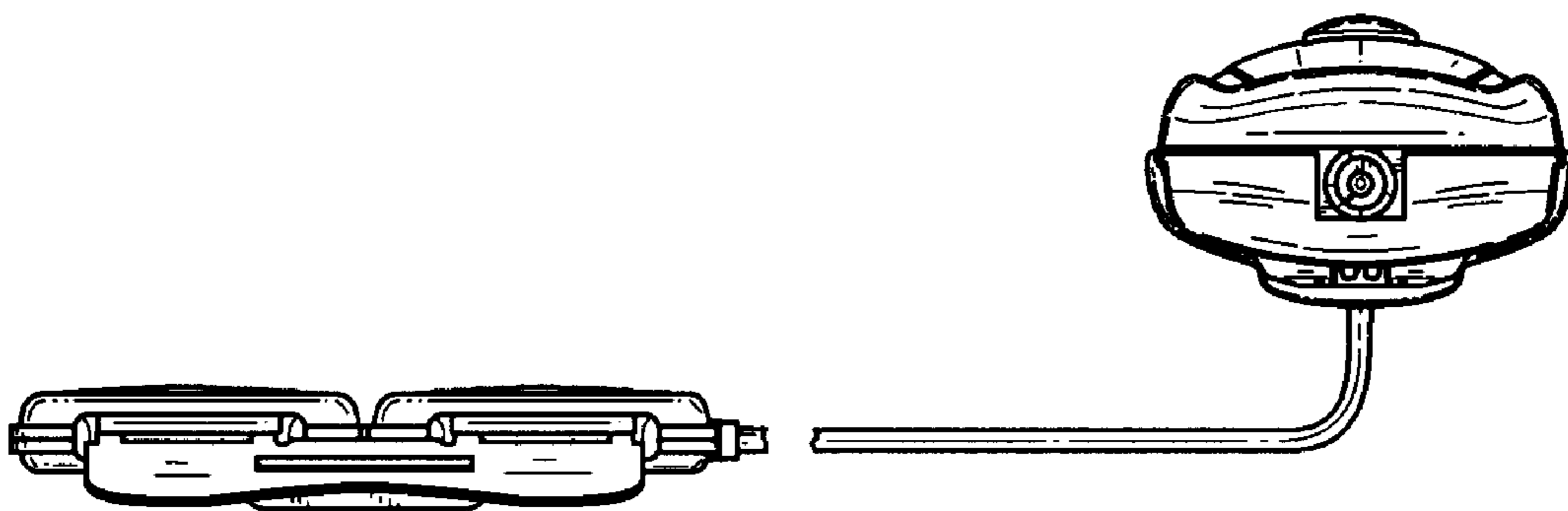


FIG. 3

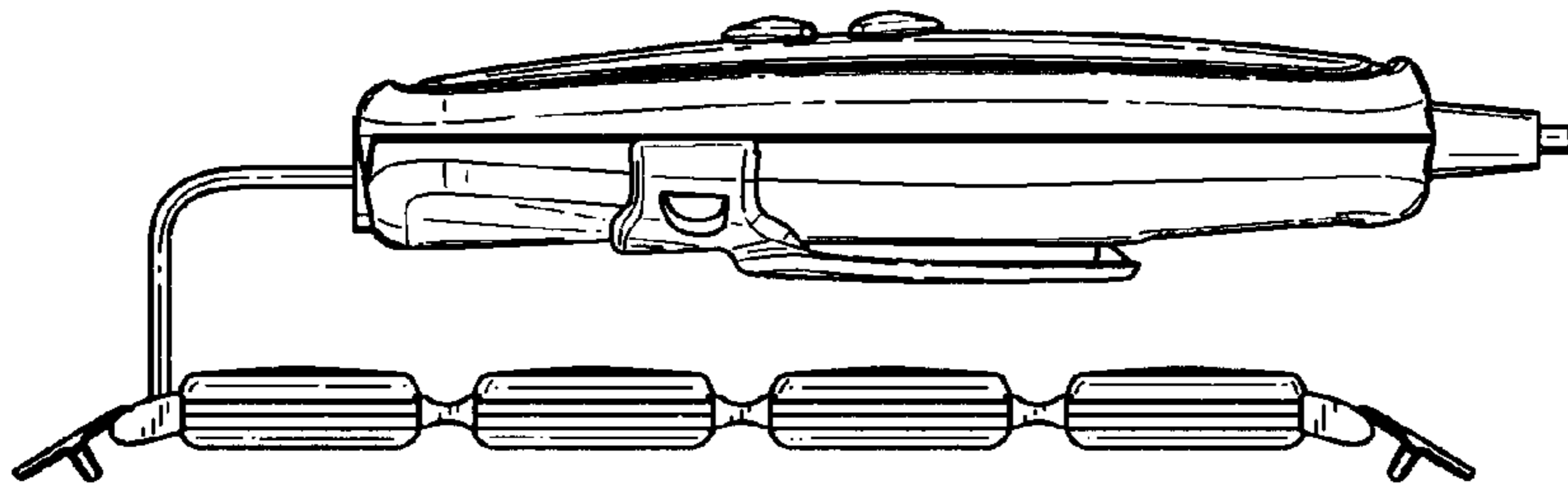


FIG. 4

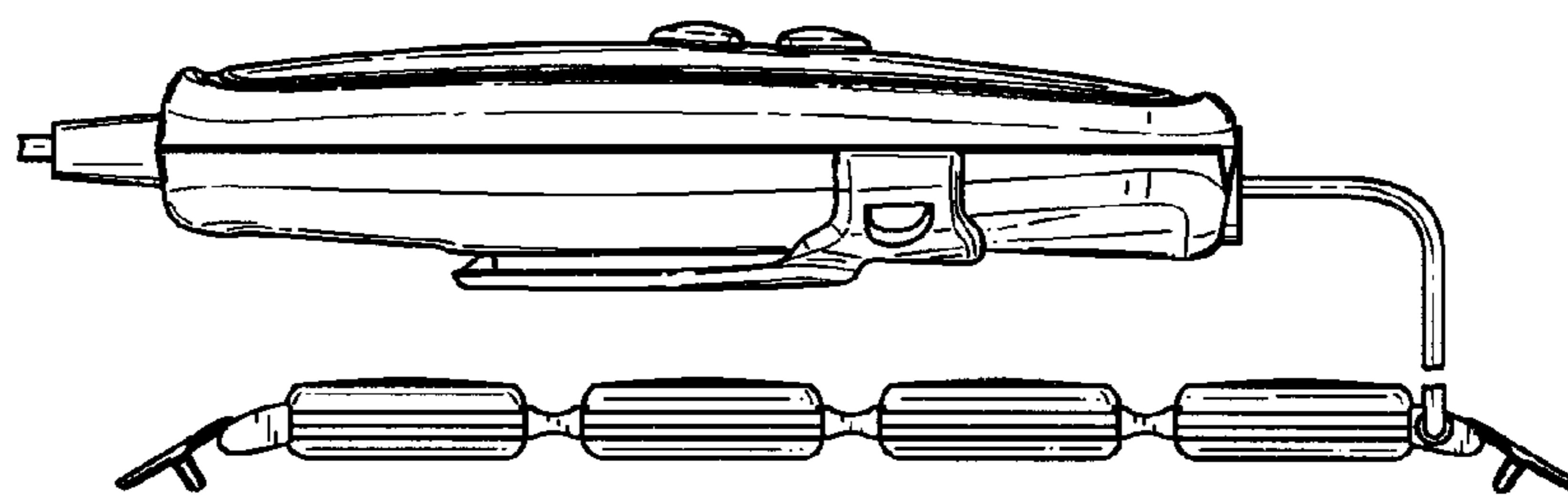


FIG. 5

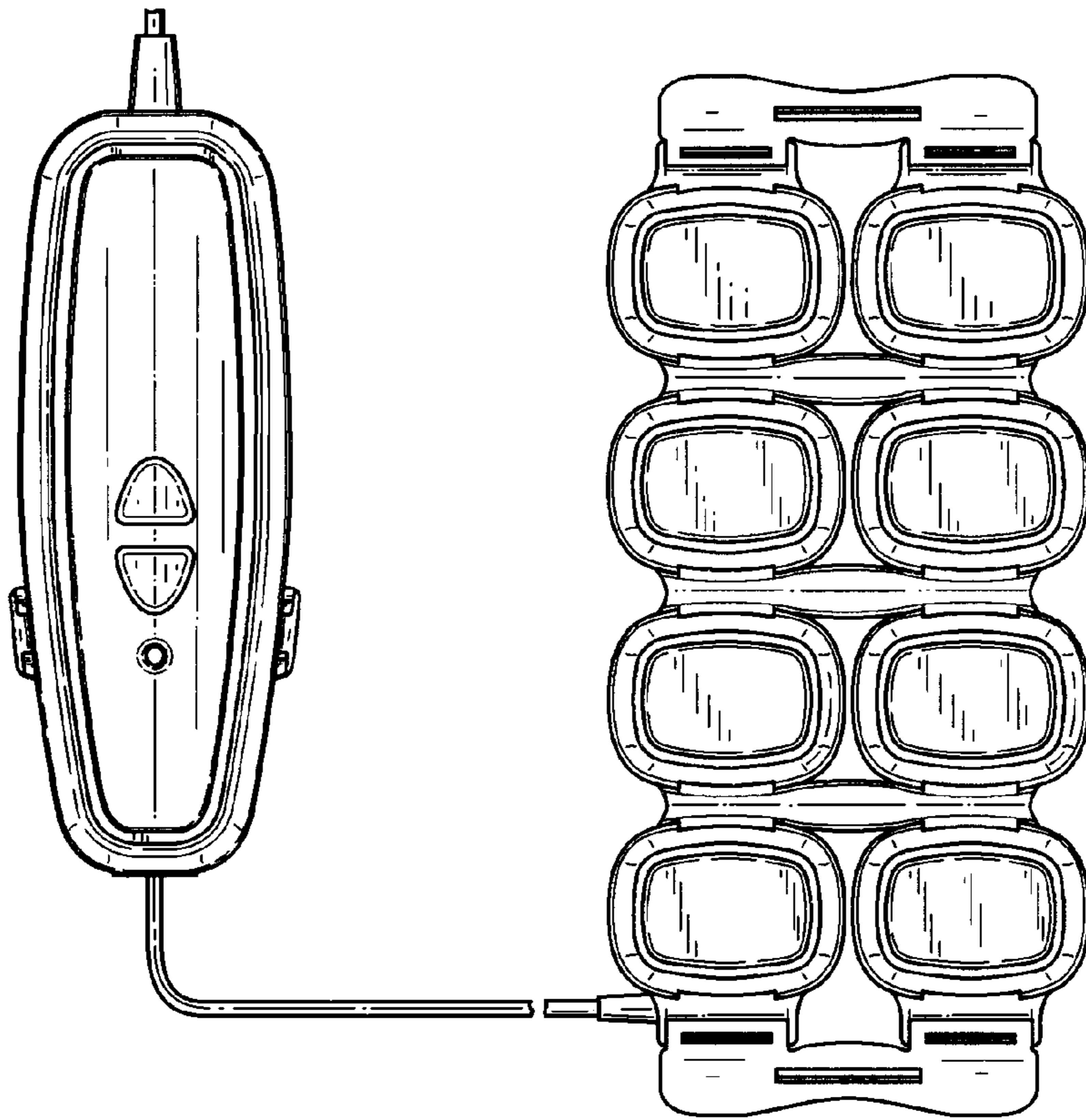


FIG. 6

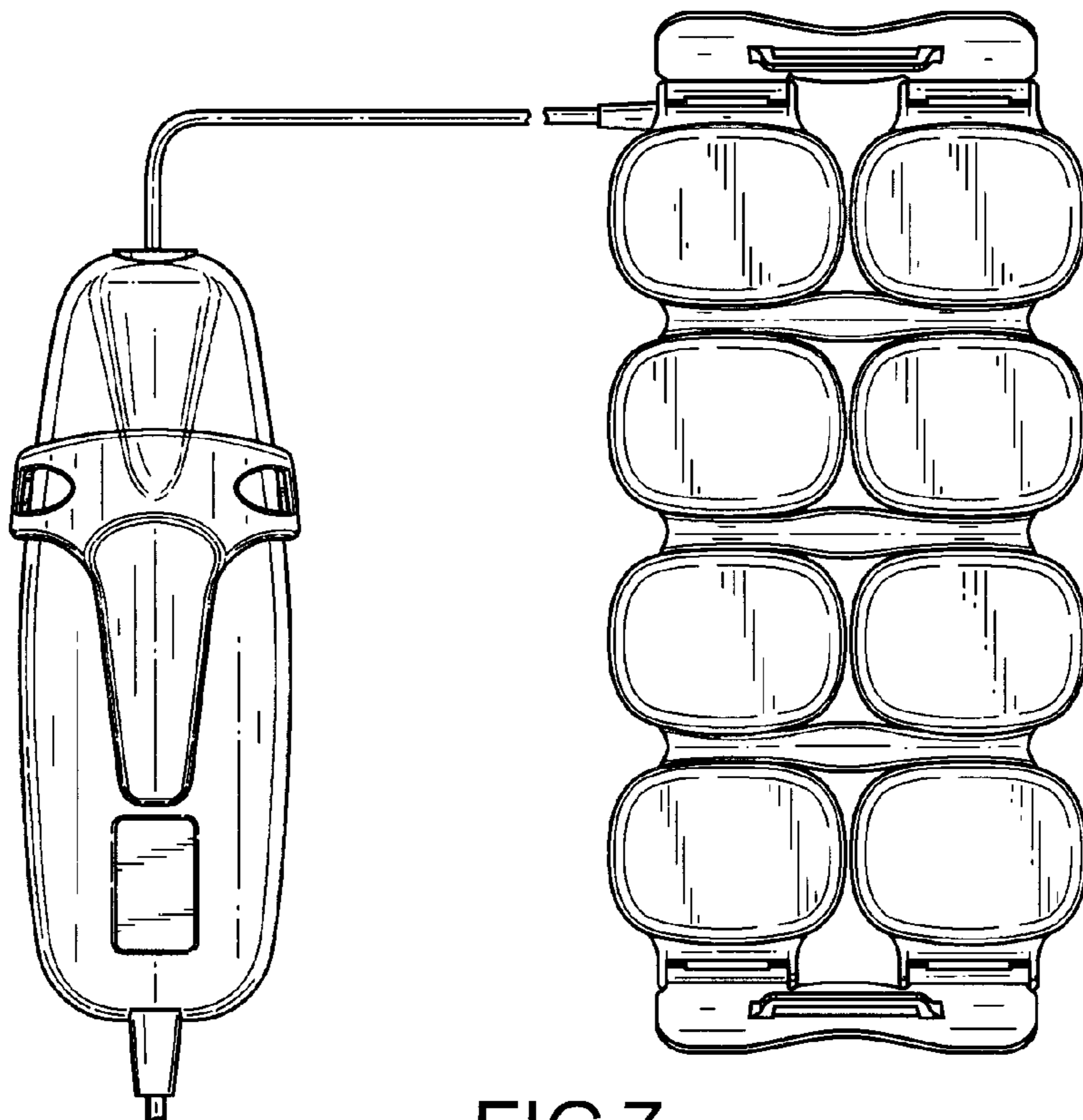


FIG. 7